



US00D624605S

(12) **United States Design Patent**  
**Kichijo et al.**

(10) **Patent No.:** **US D624,605 S**

(45) **Date of Patent:** **\*\* Sep. 28, 2010**

(54) **TOY BLOCK**

(75) Inventors: **Hiroshi Kichijo**, Oyodo (JP); **Yoshiie Kichijo**, Oyodo (JP)

(73) Assignee: **Yoshiritsu Kabushiki Kaisha**, Nara (JP)

(\*\*) Term: **14 Years**

(21) Appl. No.: **29/351,894**

(22) Filed: **Dec. 14, 2009**

(30) **Foreign Application Priority Data**

Jul. 7, 2009 (JP) ..... 2009-015417

(51) **LOC (9) Cl.** ..... **21-01**

(52) **U.S. Cl.** ..... **D21/501**

(58) **Field of Classification Search** ..... D21/484,  
D21/485, 486, 489–495, 499, 500–505;  
446/69, 85, 95, 102–128; 434/208, 259,  
434/403; 273/153, 156, 160; D25/113, 114,  
D25/115, 118; D8/349, 354, 382

See application file for complete search history.

(56) **References Cited**

**U.S. PATENT DOCUMENTS**

- 3,310,906 A \* 3/1967 Glukes ..... 446/95
- D234,964 S \* 4/1975 Menke ..... D21/500
- D236,223 S \* 8/1975 McAllister ..... D21/491
- D280,432 S \* 9/1985 Tapdrup ..... D21/502
- D285,463 S \* 9/1986 Davis ..... D21/502
- D285,585 S \* 9/1986 Murdough et al. .... D21/491
- 4,744,780 A \* 5/1988 Volpe ..... 446/128
- D296,344 S \* 6/1988 Olsen ..... D21/491
- D297,033 S \* 8/1988 Yamada ..... D21/501
- D317,474 S \* 6/1991 Olsen ..... D21/502
- 5,215,490 A \* 6/1993 Szoradi ..... 446/115
- D360,658 S \* 7/1995 Voldmester et al. .... D21/501
- D370,944 S \* 6/1996 Hessler ..... D21/491
- D377,377 S \* 1/1997 Glynn ..... D21/500
- D388,841 S \* 1/1998 Zheng ..... D21/491
- D389,400 S \* 1/1998 Liang ..... D8/382
- 5,830,032 A \* 11/1998 Campbell ..... 446/128
- D404,090 S \* 1/1999 Glickman et al. .... D21/491

- D407,765 S \* 4/1999 Zheng ..... D21/491
- D409,680 S \* 5/1999 Krog ..... D21/502
- D417,705 S \* 12/1999 Rudy ..... D21/501
- D422,035 S \* 3/2000 Cyrus ..... D21/491
- 6,116,981 A \* 9/2000 Zheng ..... 446/106
- D466,956 S \* 12/2002 Manville et al. .... D21/499
- D468,779 S \* 1/2003 Manville et al. .... D21/499

(Continued)

*Primary Examiner*—Cynthia M Chin  
(74) *Attorney, Agent, or Firm*—Wenderoth, Lind & Ponack, LLP.

(57) **CLAIM**

The ornamental design for a toy block, as shown and described.

**DESCRIPTION**

FIG. 1 is a perspective view of a toy block showing our new design;

FIG. 2 is a front view thereof, the rear view being a mirror image thereof;

FIG. 3 is a top plan view thereof;

FIG. 4 is a right side elevation view thereof, the left side elevation view being a mirror image thereof;

FIG. 5 is a bottom view thereof;

FIG. 6 is a sectional view thereof taken along line 6—6 of FIG. 2;

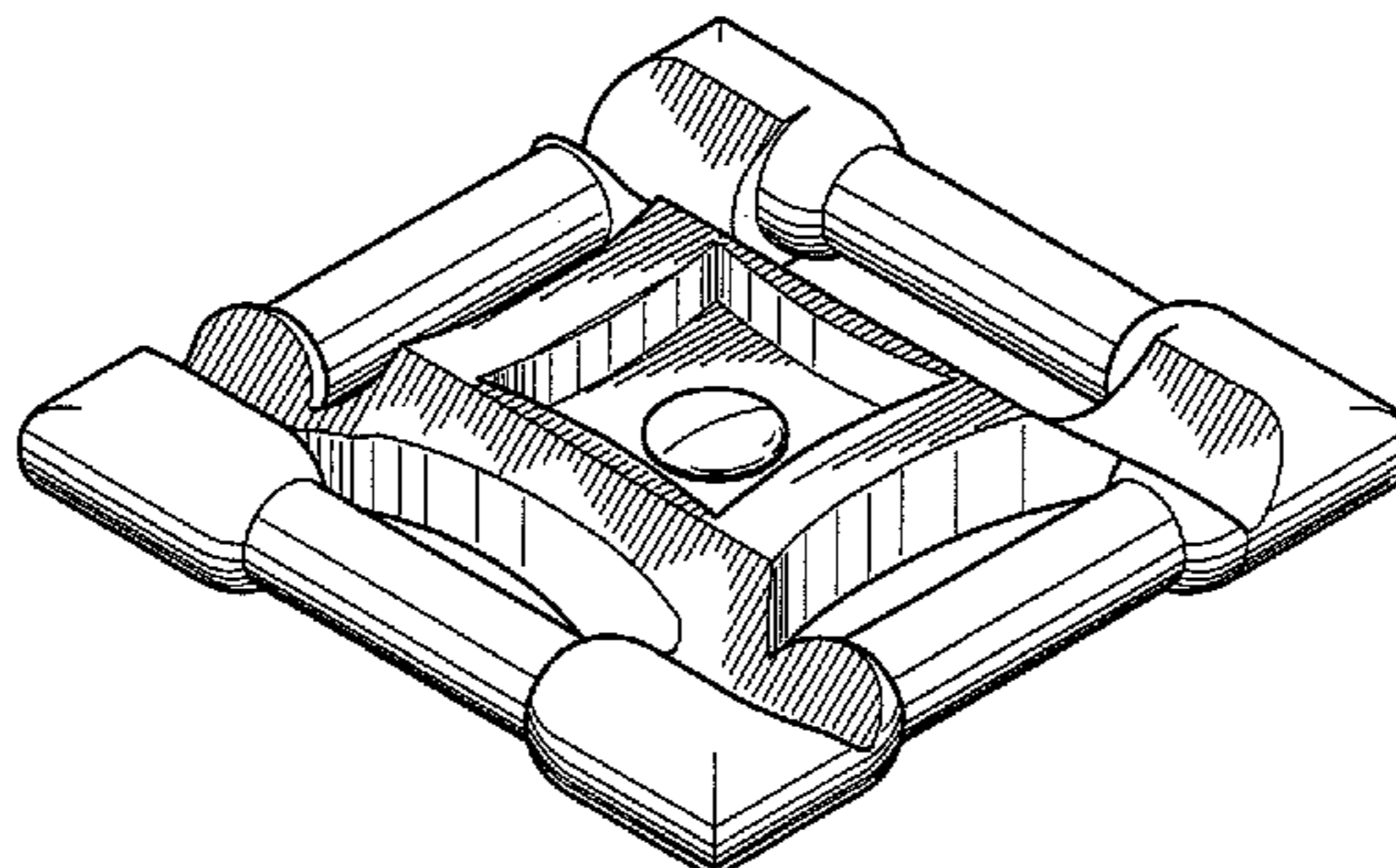
FIG. 7 is a sectional view thereof taken along line 7—7 of FIG. 3;

FIG. 8 is a perspective view showing how the toy block is used; and,

FIG. 9 is another perspective view showing how the toy block is used.

The broken lines in FIGS. 8 & 9 show the design in use and form no part of the claim.

**1 Claim, 3 Drawing Sheets**



# US D624,605 S

Page 2

---

## U.S. PATENT DOCUMENTS

D469,825 S *	2/2003	Manville et al. ....	D21/499	D588,208 S *	3/2009	Sinisi et al. ....	D21/502
D571,867 S *	6/2008	Gasparotto .....	D21/489	D588,651 S *	3/2009	Sinisi et al. ....	D21/501
D577,776 S *	9/2008	Tremblay et al. ....	D21/501	2002/0065016 A1 *	5/2002	Huang .....	446/103

\* cited by examiner

Fig. 1

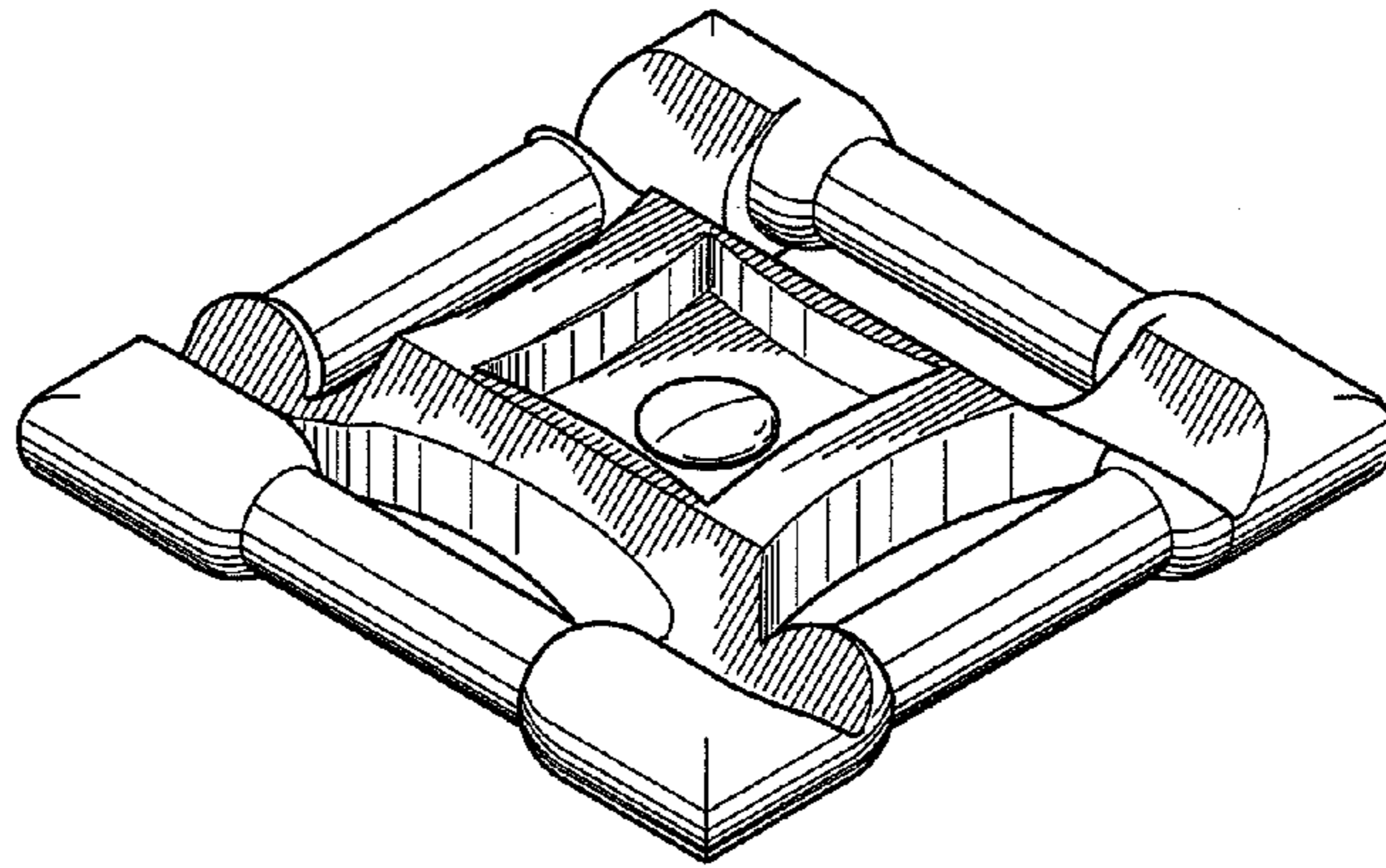


Fig. 2

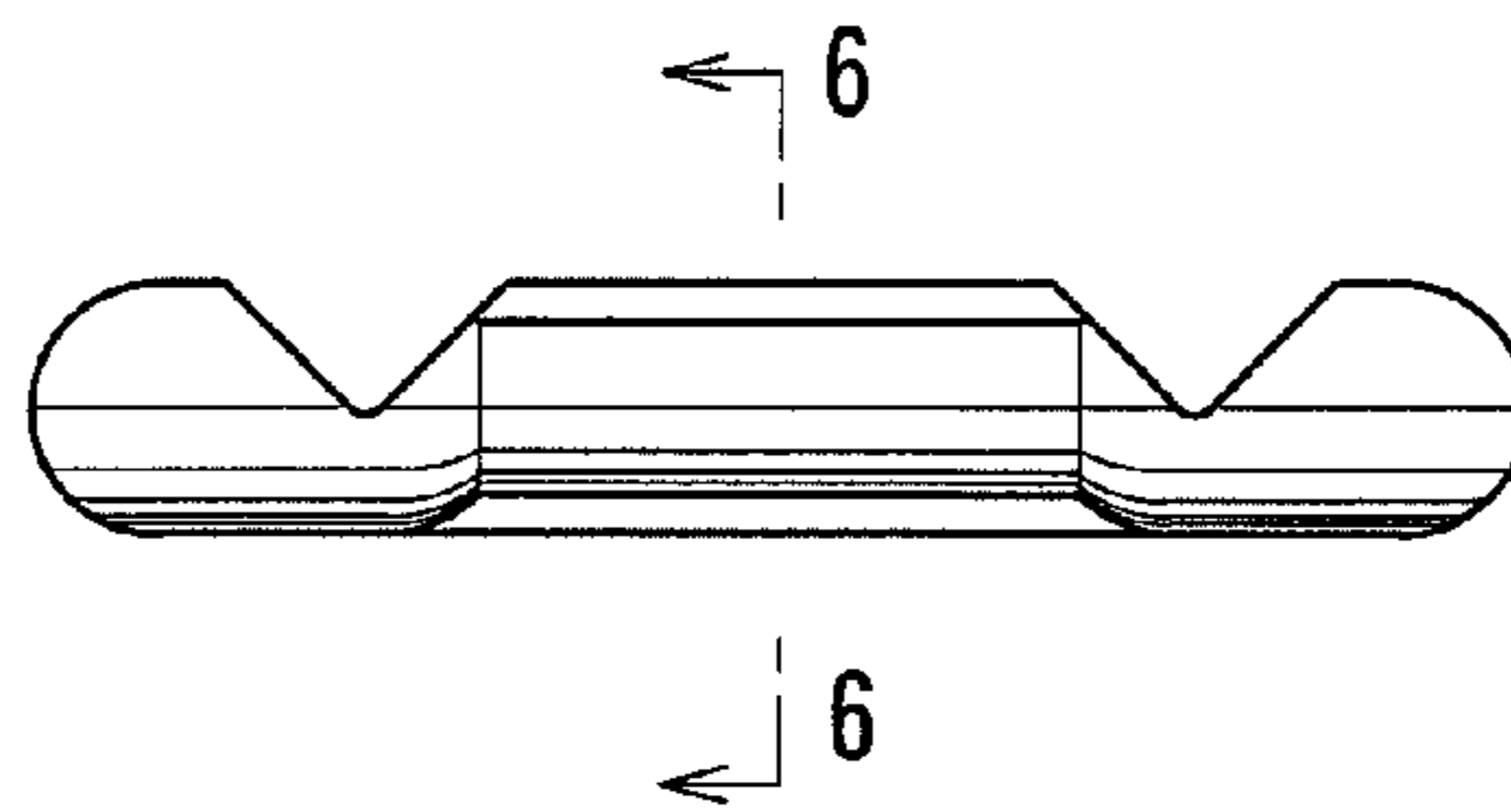


Fig. 3

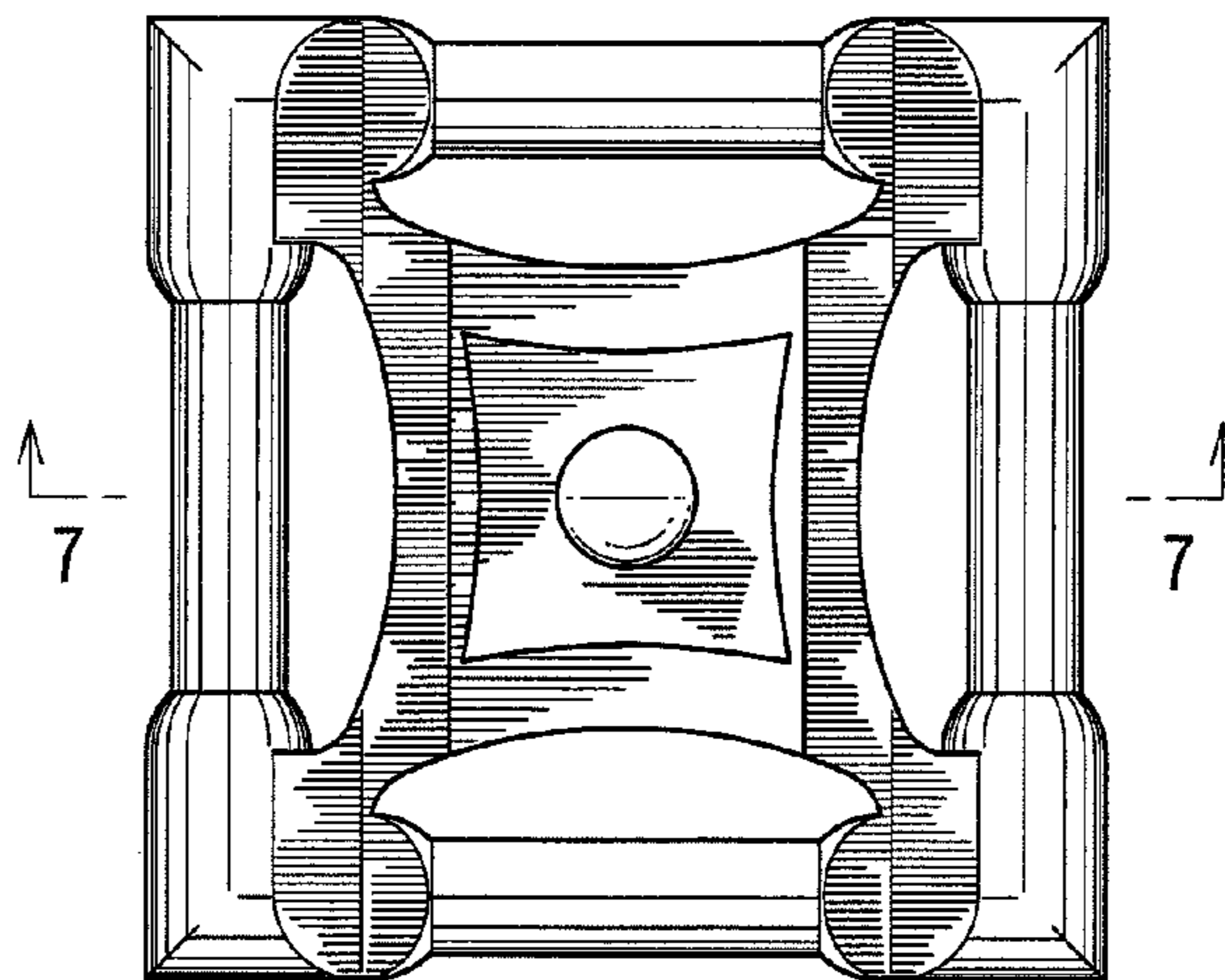


Fig. 4

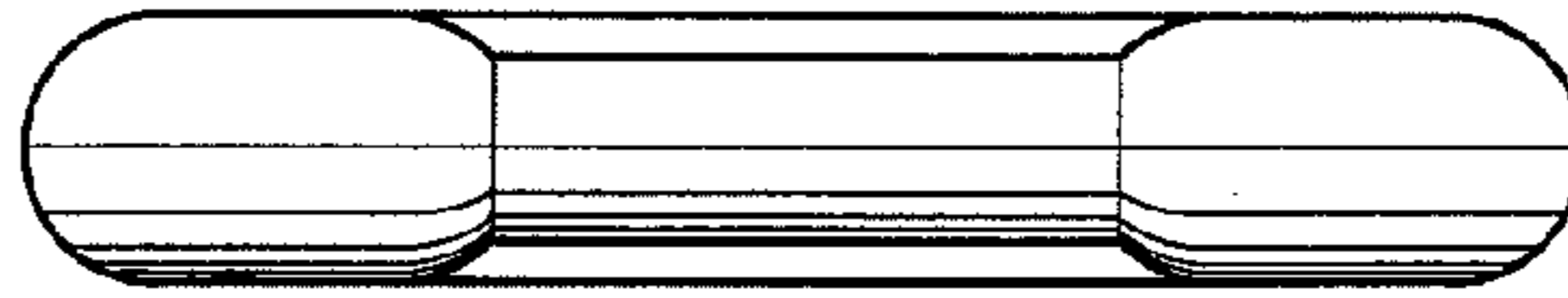


Fig. 5

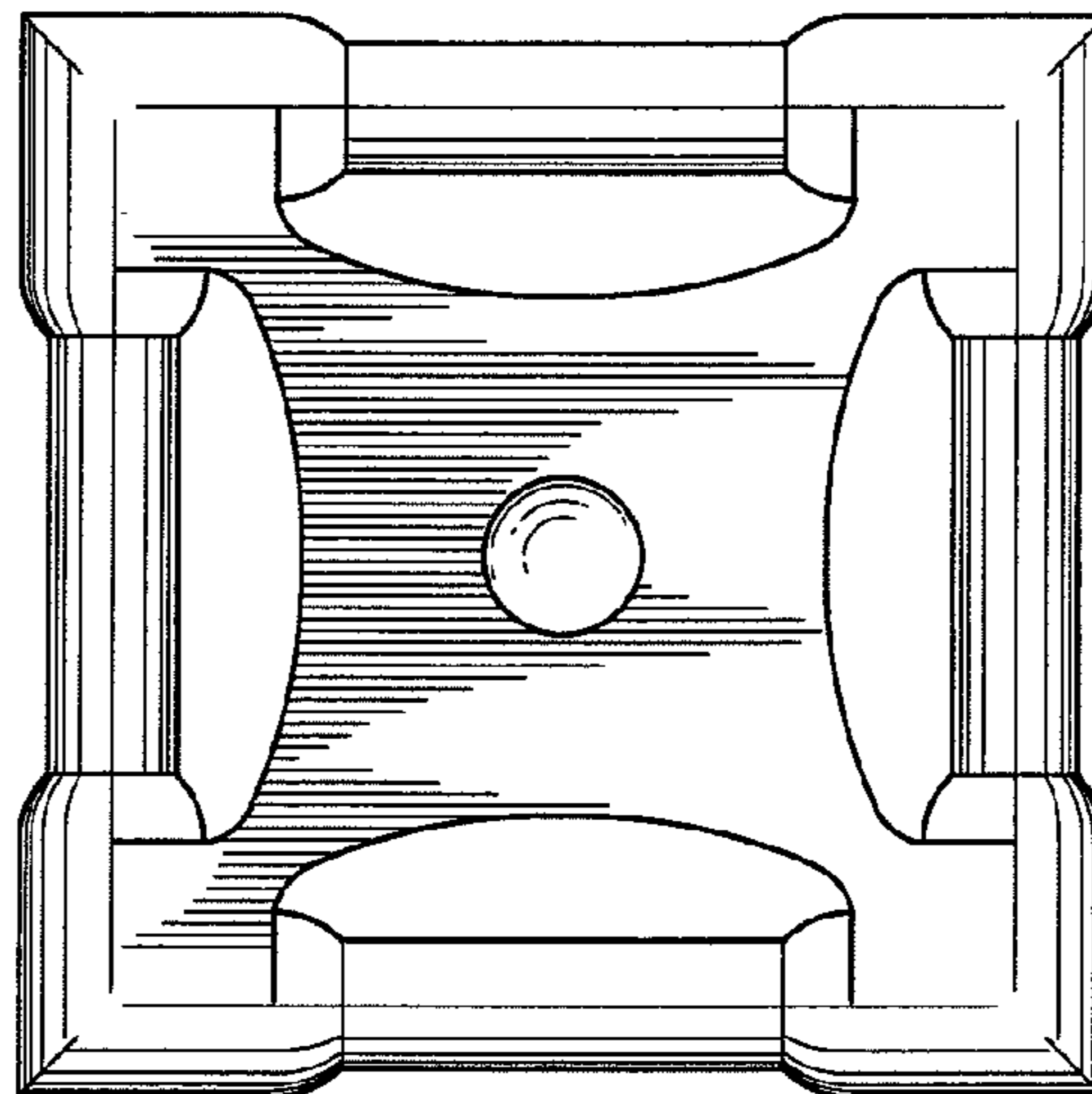


Fig. 6



Fig. 7

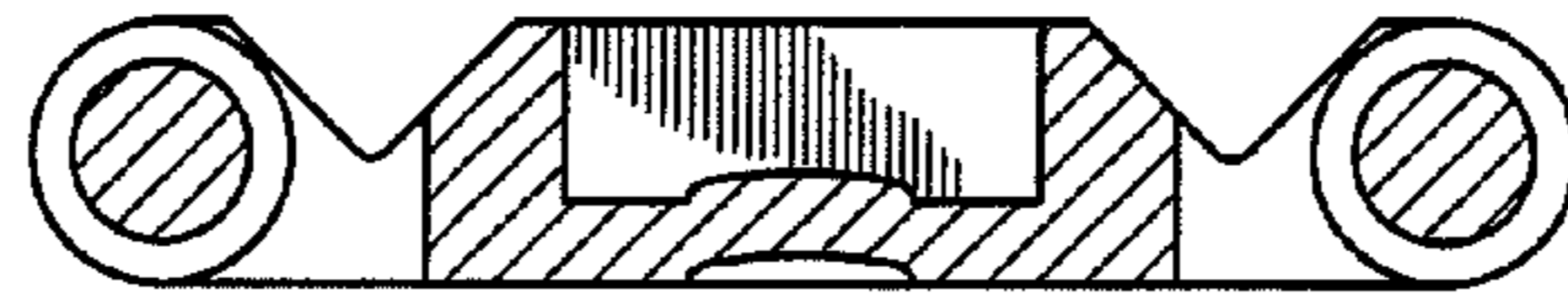


Fig. 8

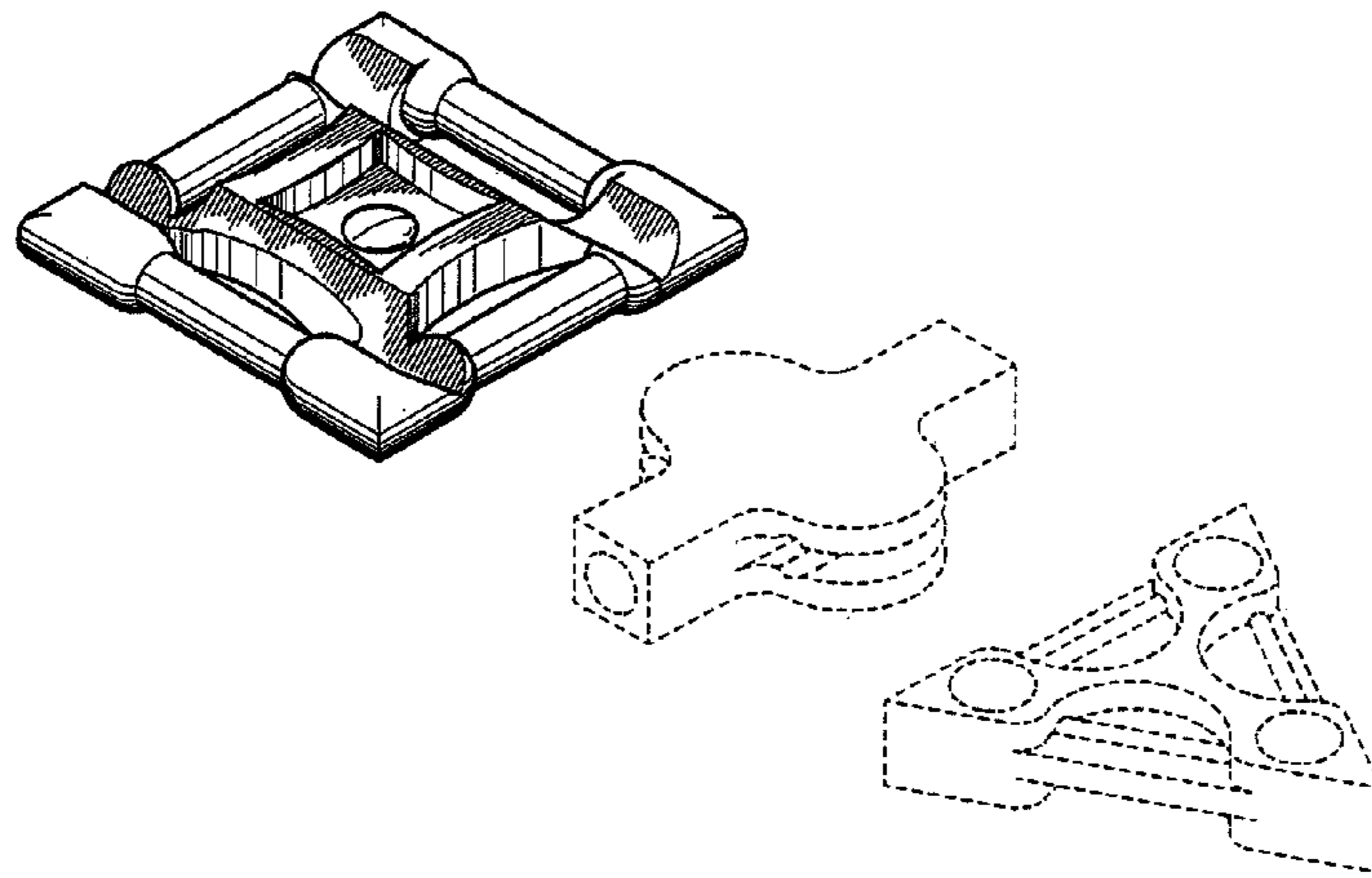


Fig. 9

