



US00D624604S

(12) **United States Design Patent**  
**Wudtke**

(10) **Patent No.:** **US D624,604 S**

(45) **Date of Patent:** **\*\* Sep. 28, 2010**

(54) **GAMING MACHINE TOP BOX**

2005/0119041 A1\* 6/2005 Berman et al. .... 463/16

(75) Inventor: **Karl Wudtke**, Las Vegas, NV (US)

**OTHER PUBLICATIONS**

(73) Assignee: **Bally Gaming, Inc.**, Las Vegas, NV (US)

Bally Monte Carlo gaming machine. Published 2004, Bally gaming brochure.\*

(\*\*) Term: **14 Years**

\* cited by examiner

(21) Appl. No.: **29/345,739**

*Primary Examiner*—Sandra Morris

(74) *Attorney, Agent, or Firm*—Marvin A. Hein

(22) Filed: **Oct. 21, 2009**

(57) **CLAIM**

(51) **LOC (9) Cl.** ..... **21-01**

The ornamental design for a gaming machine top box, as shown and described.

(52) **U.S. Cl.** ..... **D21/385; D21/370**

(58) **Field of Classification Search** ..... D21/369–371,  
D21/374, 385; 463/16–17, 20, 46–47

See application file for complete search history.

**DESCRIPTION**

(56) **References Cited**

FIG. 1 is a perspective view of a gaming machine top box, showing my new design;

FIG. 2 is a top view thereof;

FIG. 3 is a front elevational view thereof;

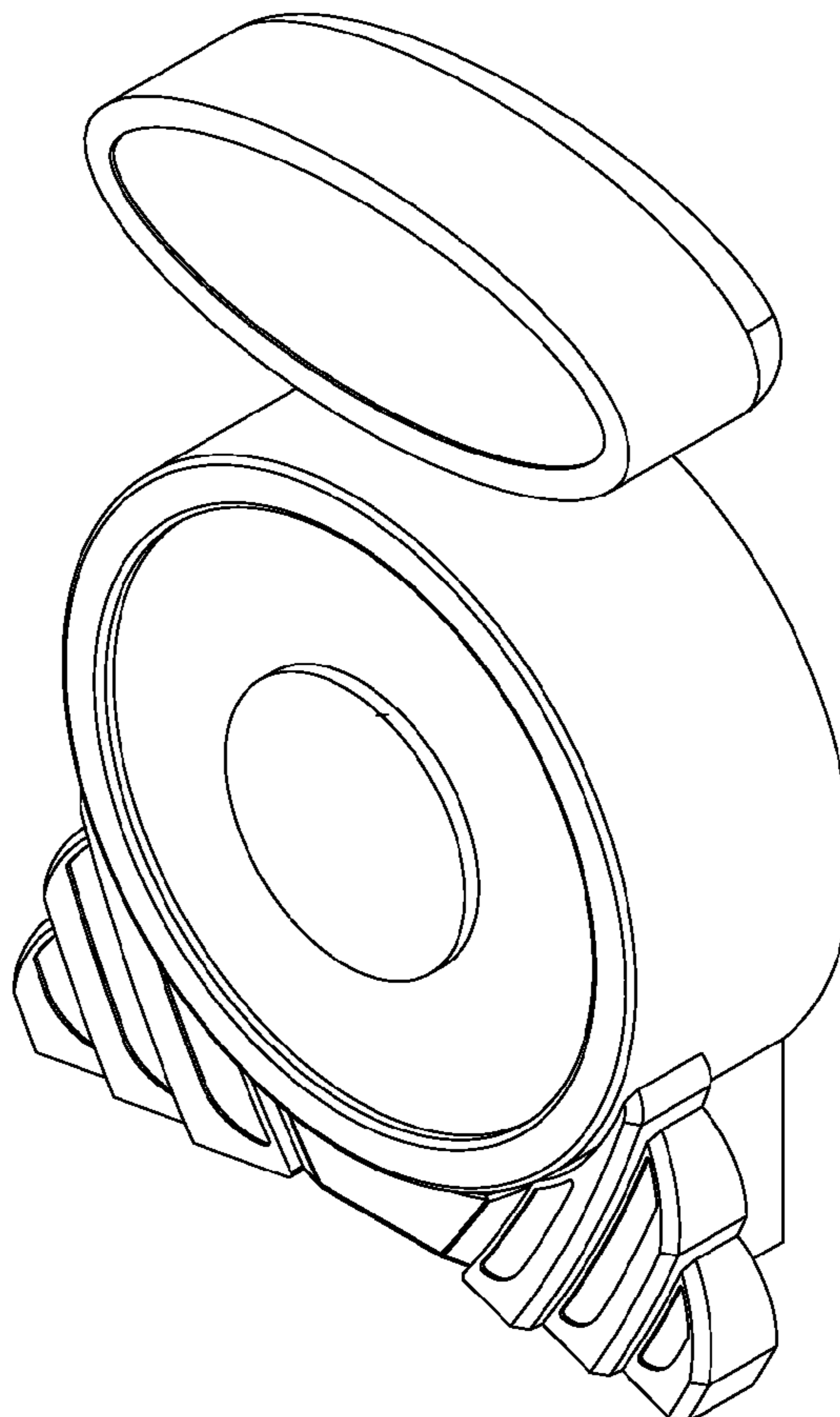
FIG. 4 is a right side elevational view thereof; and,

FIG. 5 is a rear elevational view thereof.

**U.S. PATENT DOCUMENTS**

|              |        |               |       |         |
|--------------|--------|---------------|-------|---------|
| D519,571 S * | 4/2006 | Myers         | ..... | D21/385 |
| D524,380 S * | 7/2006 | Seelig et al. | ..... | D21/370 |
| D562,912 S * | 2/2008 | Myers         | ..... | D21/385 |
| D569,919 S * | 5/2008 | Zielinski     | ..... | D21/370 |
| D591,360 S * | 4/2009 | Fiore         | ..... | D21/370 |

**1 Claim, 5 Drawing Sheets**



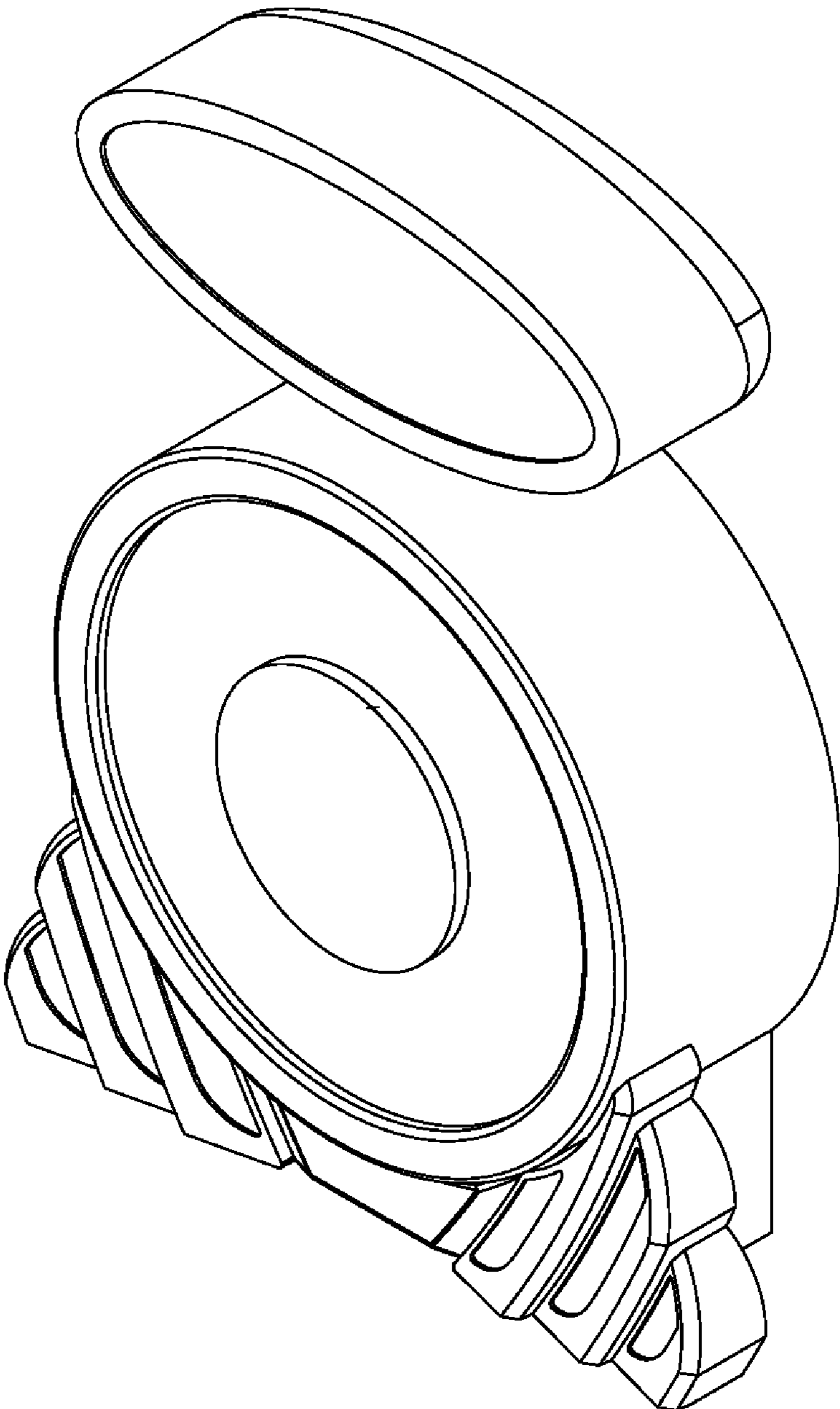


FIG.1

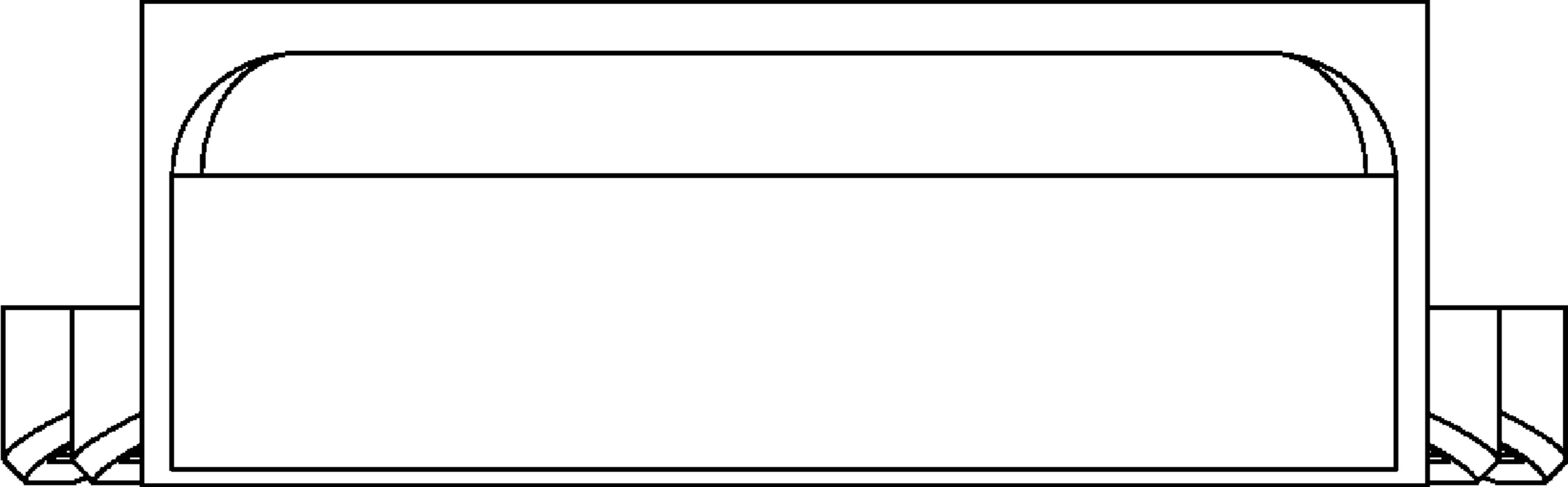


FIG.2

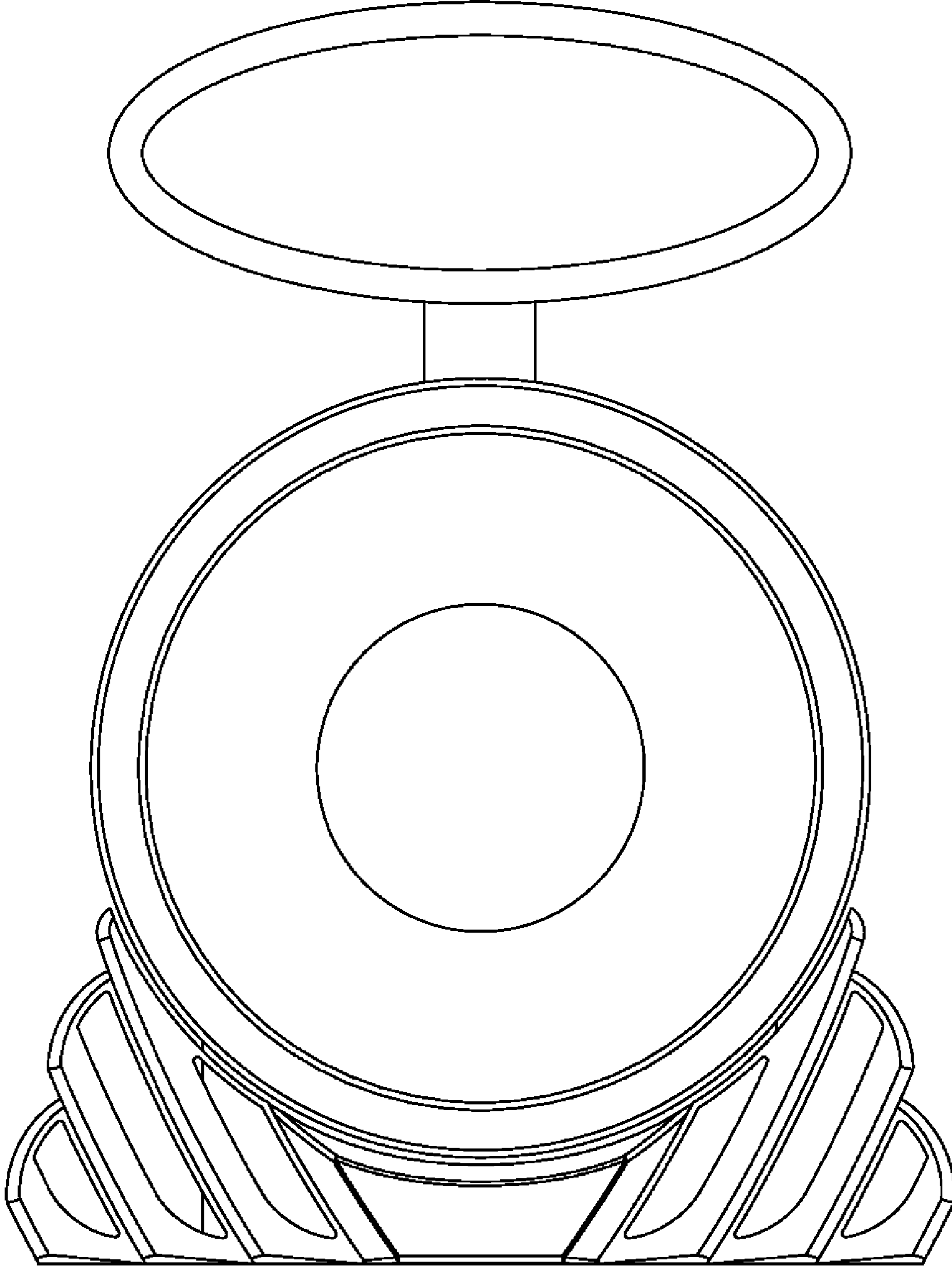


FIG.3

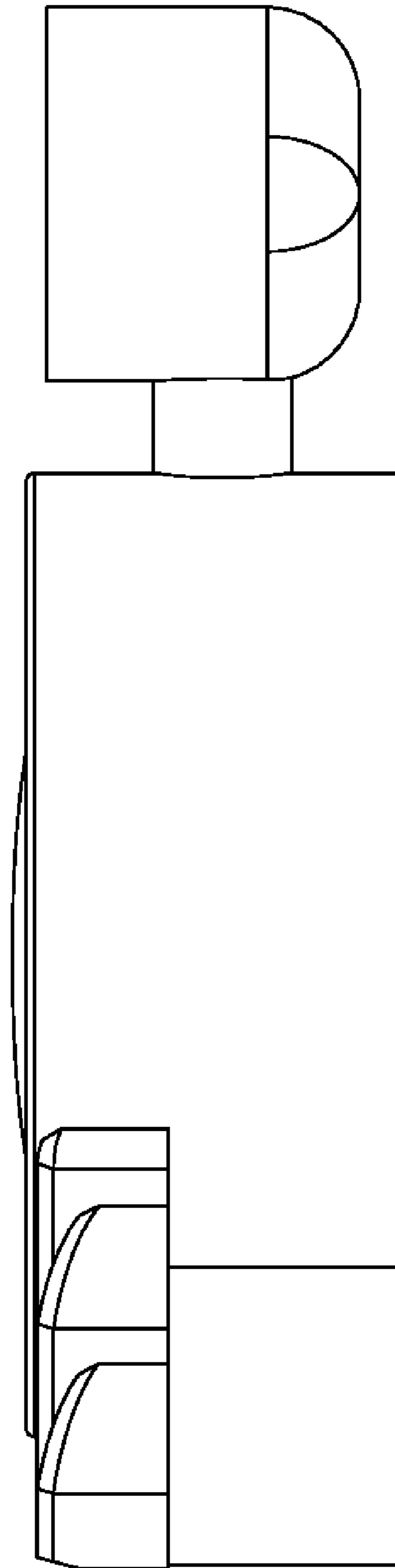


FIG.4

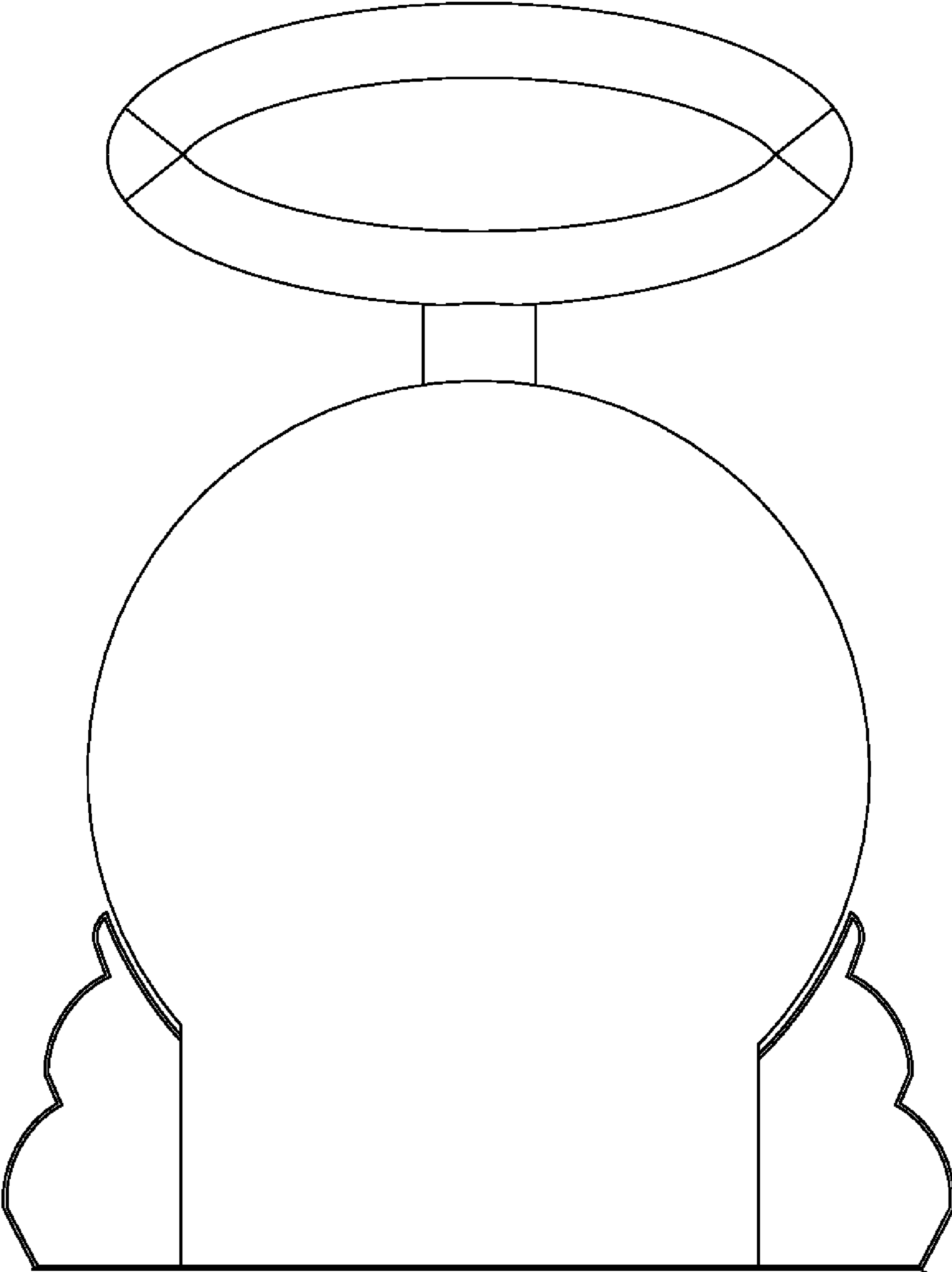


FIG.5