



US00D624600S

(12) **United States Design Patent**
Fowler

(10) **Patent No.:** **US D624,600 S**
(45) **Date of Patent:** **** Sep. 28, 2010**

(54) **COMPUTER GAME ACCESSORY**

(76) Inventor: **James Fowler**, 41 Gloucester Drive,
Kempshott Rise, Basingstoke, RG22
4PH (GB)

(**) Term: **14 Years**

(21) Appl. No.: **29/308,293**

(22) Filed: **Jun. 6, 2008**

(51) **LOC (9) Cl.** **21-01**

(52) **U.S. Cl.** **D21/333**

(58) **Field of Classification Search** D21/324,
D21/328-333, 369, 385; D14/432-434,
D14/496, 356, 388, 417; 273/148 B; 463/1,
463/29-35, 46, 47, 16-22; 345/156-161,
345/905

See application file for complete search history.

(56) **References Cited**

U.S. PATENT DOCUMENTS

3,407,757 A * 10/1968 Warner 108/43
4,504,089 A * 3/1985 Calvert et al. 297/214
5,091,832 A * 2/1992 Tortola et al. 362/109
6,203,432 B1 * 3/2001 Roberts et al. 463/37
6,290,228 B1 * 9/2001 Roberts et al. 273/148 B

D462,395 S * 9/2002 Hussaini et al. D21/333
D470,896 S * 2/2003 Hussaini et al. D21/333
D508,090 S * 8/2005 Blackwell, III D21/333
D577,076 S * 9/2008 Green D21/333
D599,413 S * 9/2009 Izumi D21/333
2006/0252553 A1 * 11/2006 Goode 463/47

* cited by examiner

Primary Examiner—Prabhakar Deshmukh
(74) *Attorney, Agent, or Firm*—Suiter Swantz pc llo

(57) **CLAIM**

I claim the ornamental design for a computer game accessory,
as shown and described.

DESCRIPTION

FIG. 1 is a top view showing my new design;

FIG. 2 is a front view thereof;

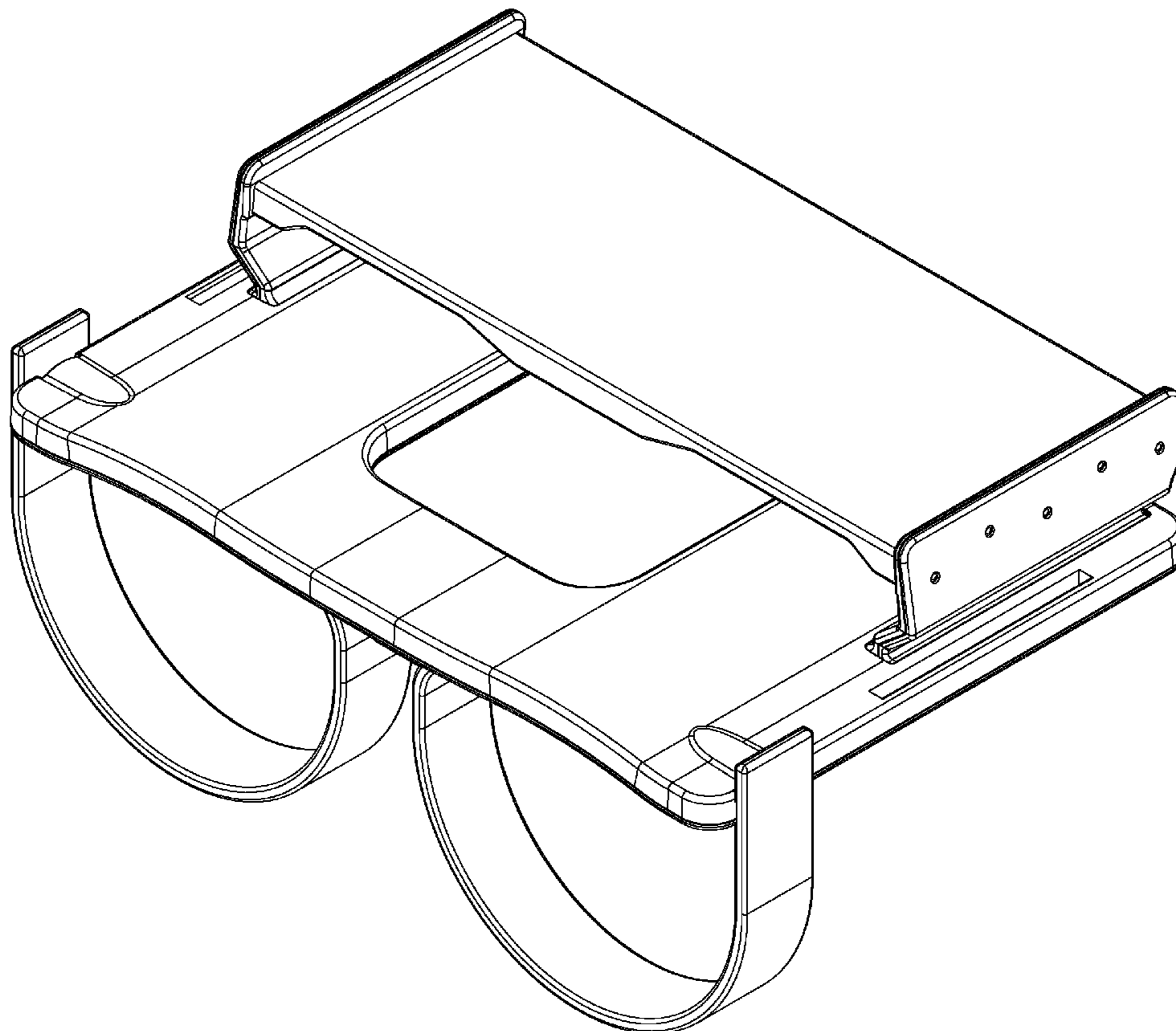
FIG. 3 is bottom view thereof;

FIG. 4 is a perspective view thereof; and,

FIG. 5 is a side view thereof.

The portions of the computer game accessory shown in broken line in the Figures form no part of the claimed design.

1 Claim, 5 Drawing Sheets



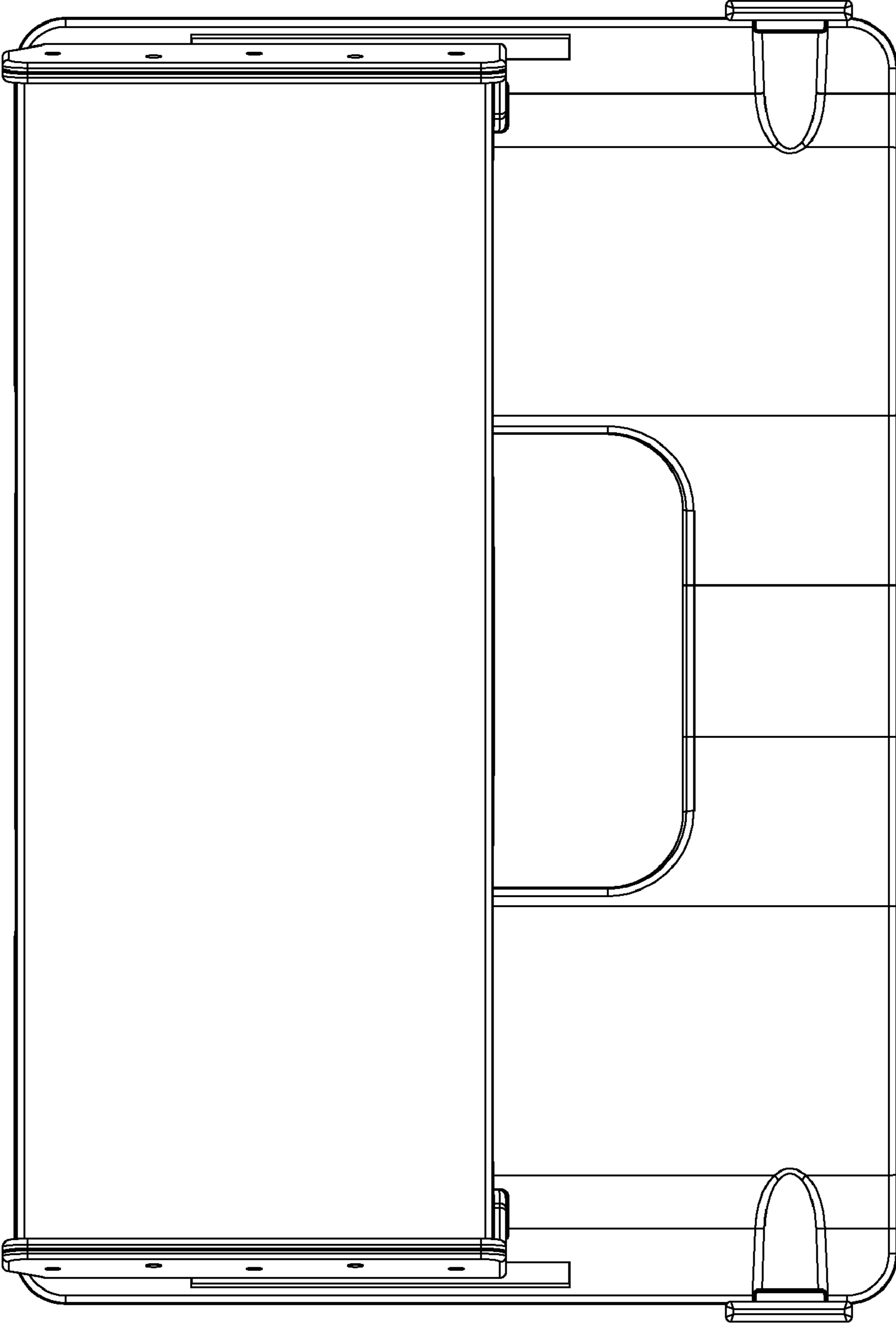


FIG. 1

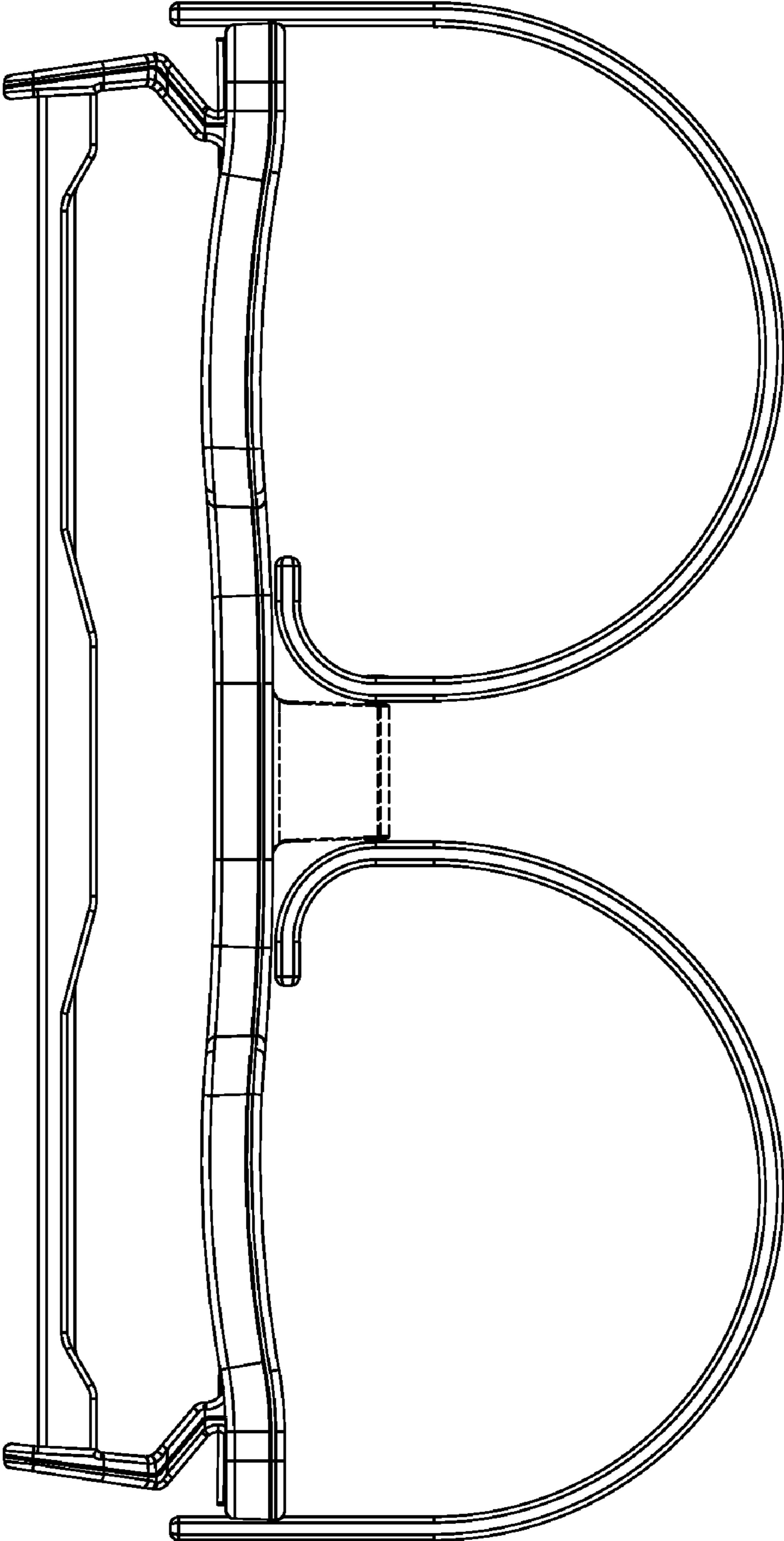


FIG. 2

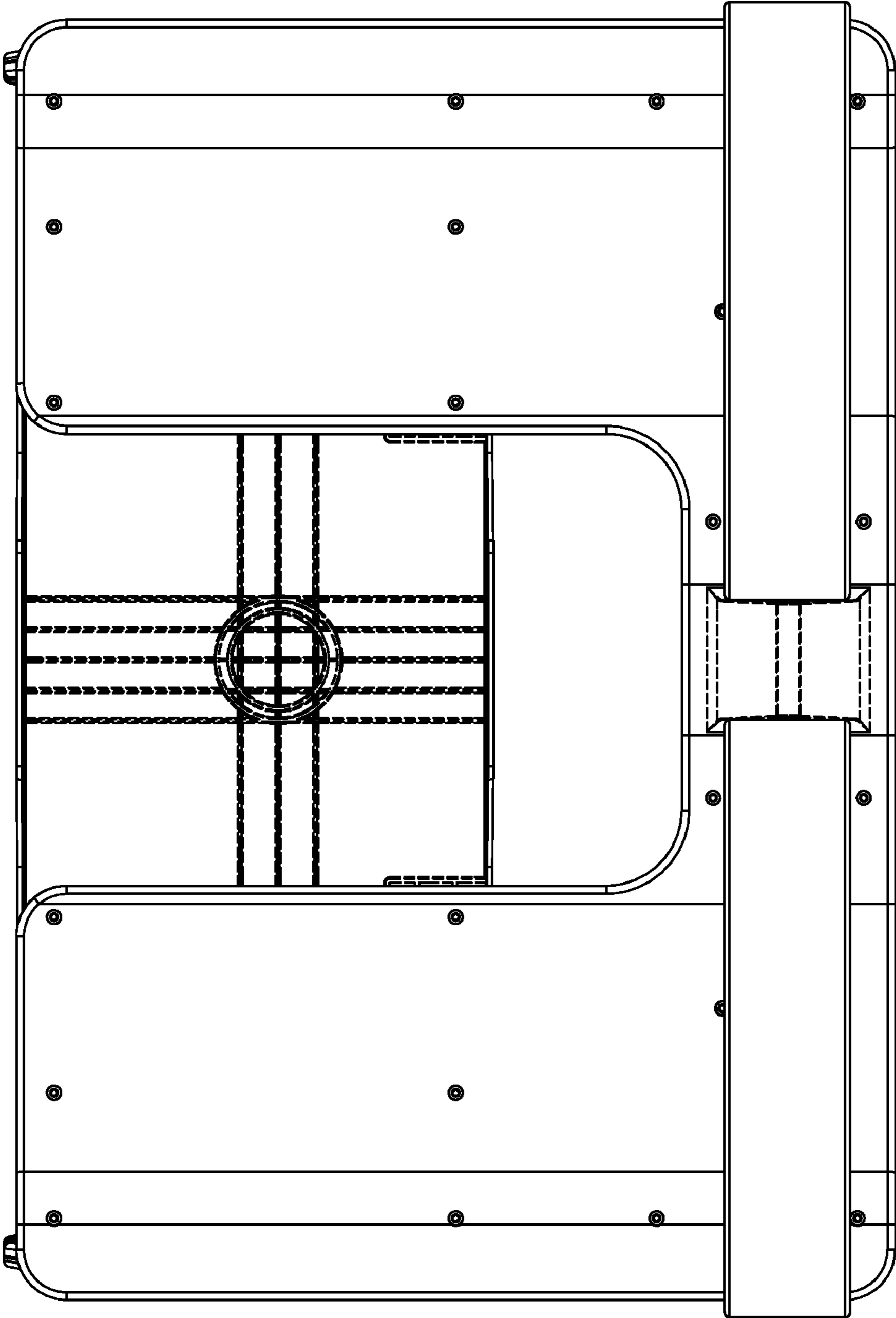


FIG. 3

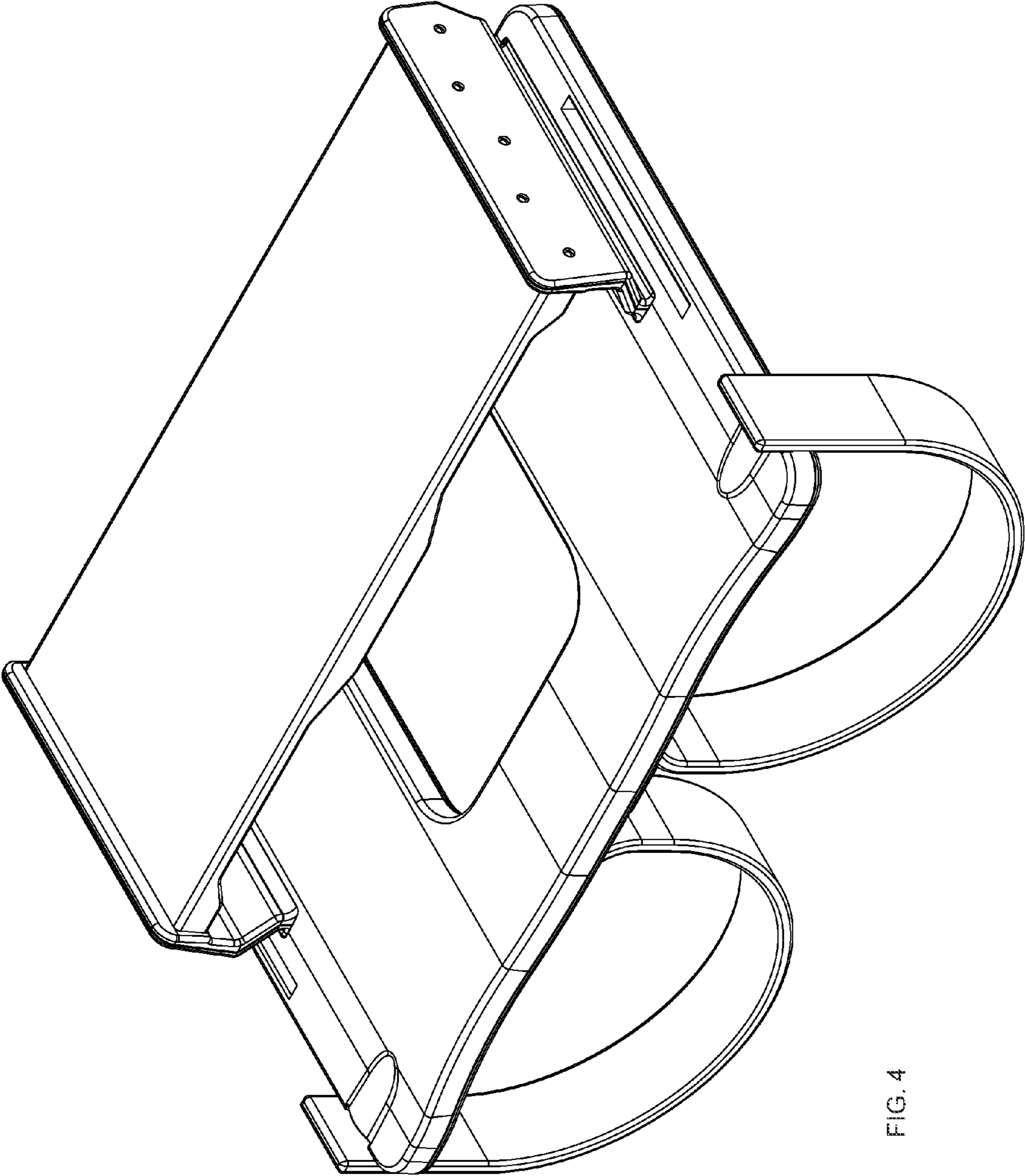


FIG. 4

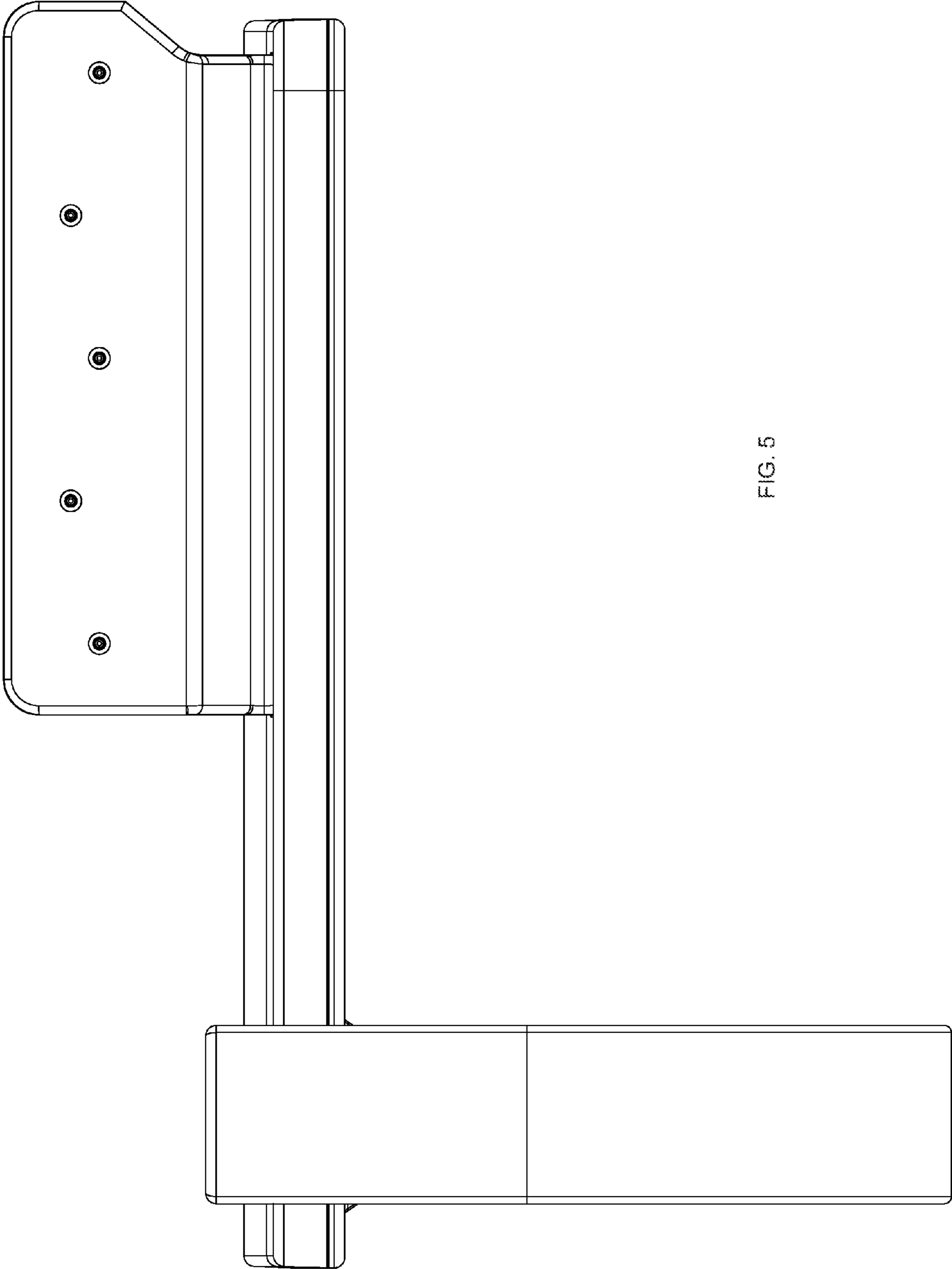


FIG. 5