



US00D624598S

(12) **United States Design Patent**
Chida et al.

(10) **Patent No.:** **US D624,598 S**

(45) **Date of Patent:** **** Sep. 28, 2010**

(54) **INDICATOR FOR STORE SHELVES**

(75) Inventors: **Hiromi Chida**, Chiba (JP); **Keiichi Horikiri**, Chiba (JP)

(73) Assignee: **Seiko Instruments Inc.**, Chiba (JP)

(**) Term: **14 Years**

(21) Appl. No.: **29/355,637**

(22) Filed: **Feb. 11, 2010**

(30) **Foreign Application Priority Data**

Aug. 12, 2009 (JP) 2009-018585

(51) **LOC (9) Cl.** **20-03**

(52) **U.S. Cl.** **D20/43**

(58) **Field of Classification Search** D20/10,
D20/19, 21, 29, 35, 37, 39-43, 99; 40/446,
40/538-540, 542, 553, 563, 564, 570, 574,
40/577, 578, 581, 584, 594, 600, 606.01,
40/606.18, 617, 624, 642.02, 649, 351, 652,
40/661, 661.02, 661.06, 662, 667, 700; D6/300,
D6/308, 314; D10/104, 109; D14/126, 374;
D18/12.3; D34/27; 362/241, 812

See application file for complete search history.

(56) **References Cited**

U.S. PATENT DOCUMENTS

D244,725 S * 6/1977 Niehaus et al. D20/42
D265,485 S * 7/1982 Liptak D20/10
D300,642 S * 4/1989 Pawlik et al. D20/10
D348,486 S * 7/1994 Fischtein et al. D20/40
D357,495 S * 4/1995 Skaggs et al. D18/12.3

D395,454 S * 6/1998 Hayashi D20/10
D407,120 S * 3/1999 Dunn et al. D20/42
D424,538 S * 5/2000 Hayashi et al. D14/374
D430,901 S * 9/2000 Palmer D20/10
6,692,137 B2 * 2/2004 Blanchard 362/241
D542,500 S * 5/2007 Perrier et al. D34/27
D574,438 S * 8/2008 Mori D20/22
D595,362 S * 6/2009 Maier-Hunke D20/42
D607,059 S * 12/2009 Chida D20/43
D607,060 S * 12/2009 Chida D20/43

* cited by examiner

Primary Examiner—Mary Ann Calabrese

(74) *Attorney, Agent, or Firm*—Finnegan, Henderson, Farabow, Garrett & Dunner, L.L.P.

(57) **CLAIM**

The ornamental design for an indicator for store shelves, as shown and described.

DESCRIPTION

FIG. 1 is a perspective view of the front, top and right side of an indicator for store shelves showing our new design;

FIG. 2 is a perspective view of the rear, top and right side thereof;

FIG. 3 is a front view thereof;

FIG. 4 is a rear view thereof;

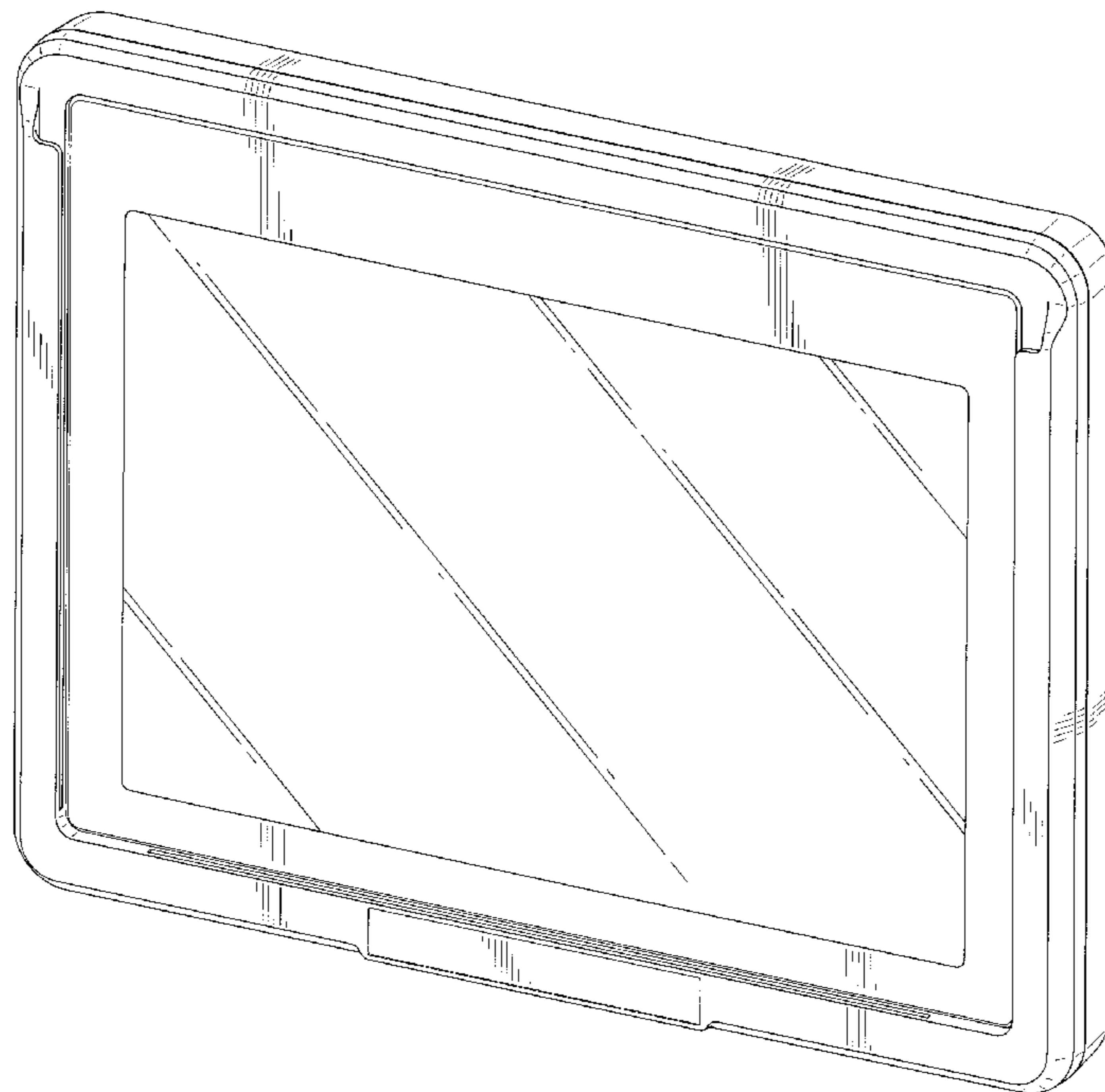
FIG. 5 is a left side view thereof;

FIG. 6 is a right side view thereof;

FIG. 7 is a top plan view thereof; and,

FIG. 8 is a bottom view thereof.

1 Claim, 6 Drawing Sheets



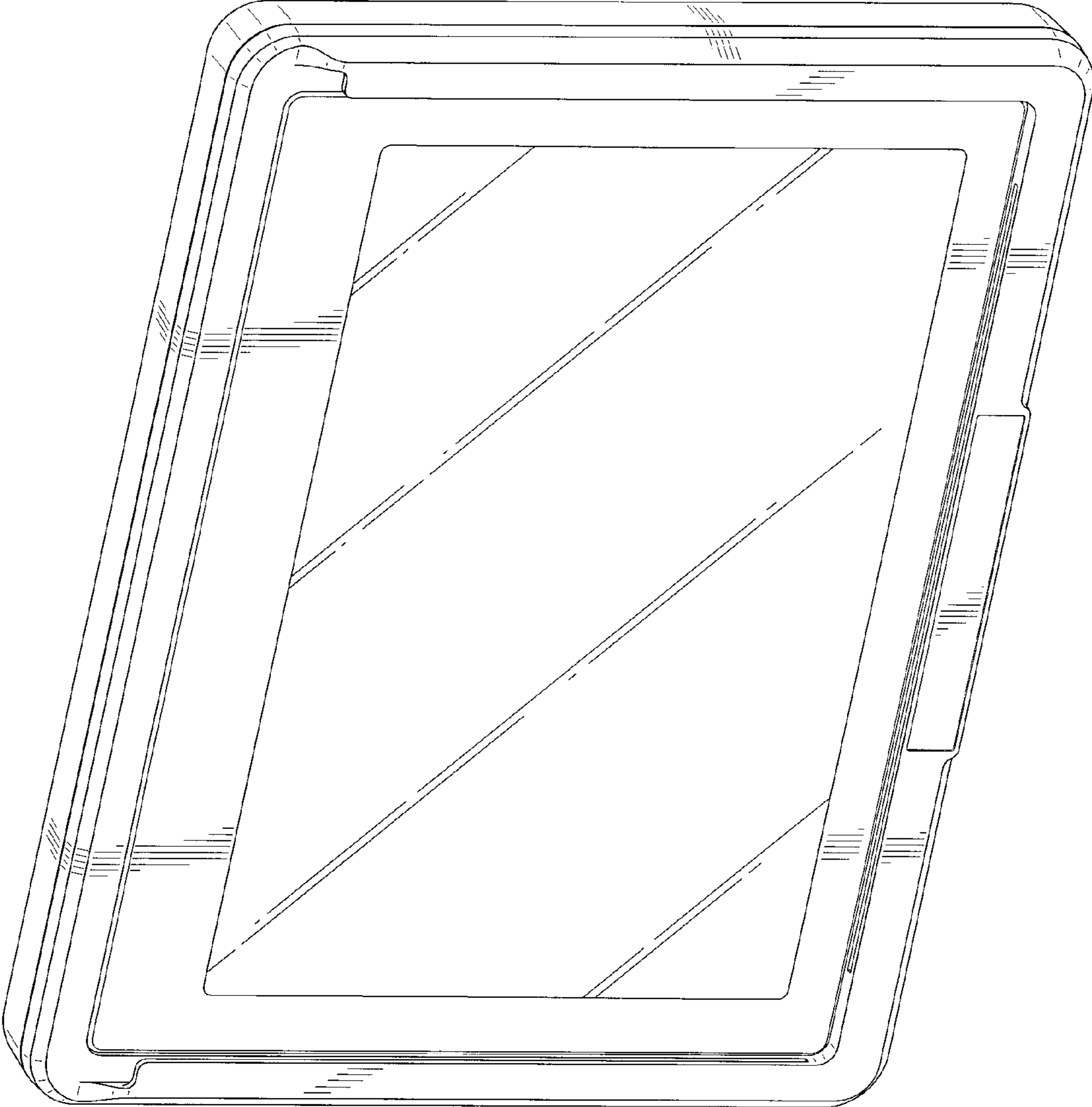


FIG. 1

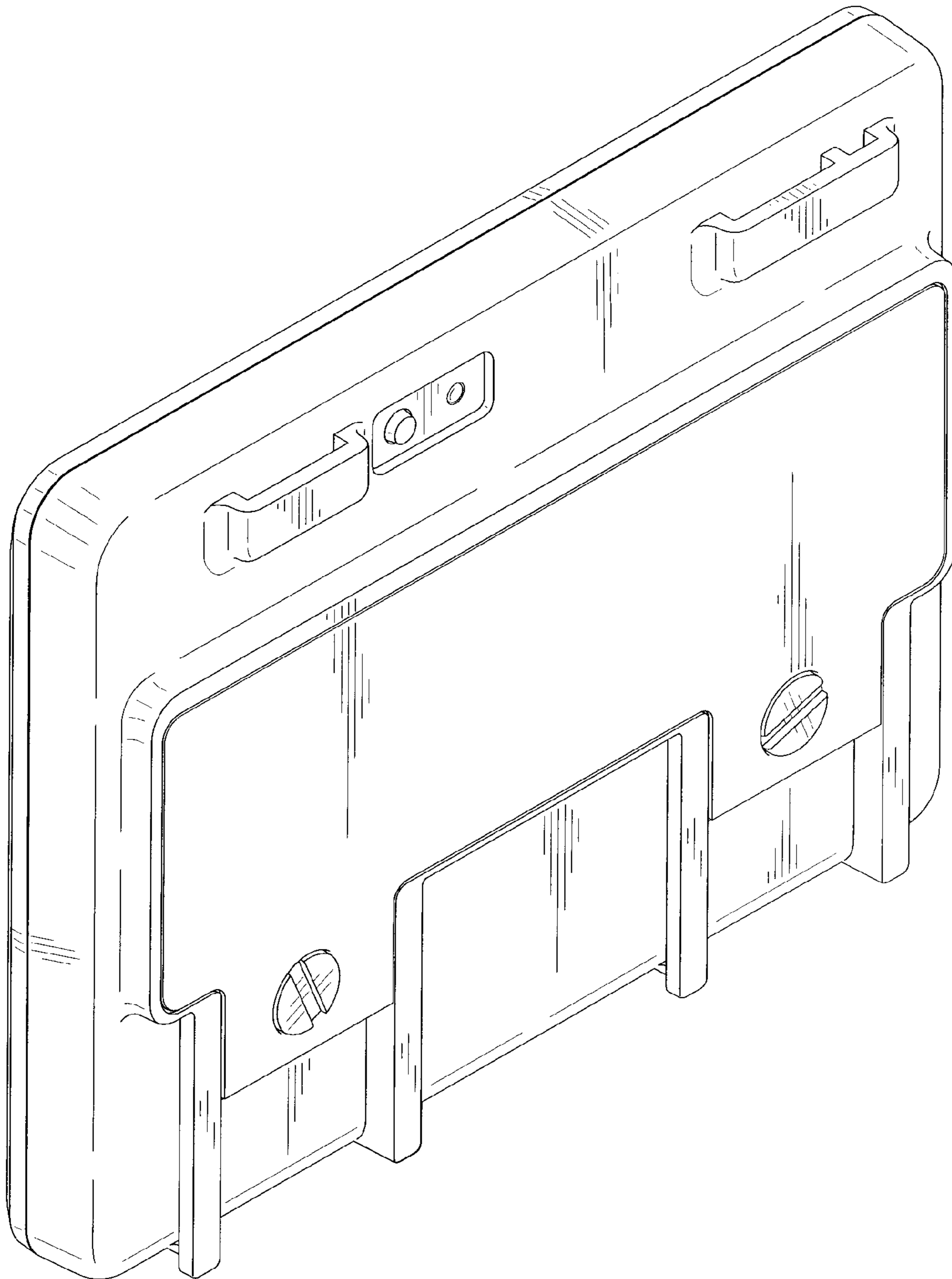


FIG. 2

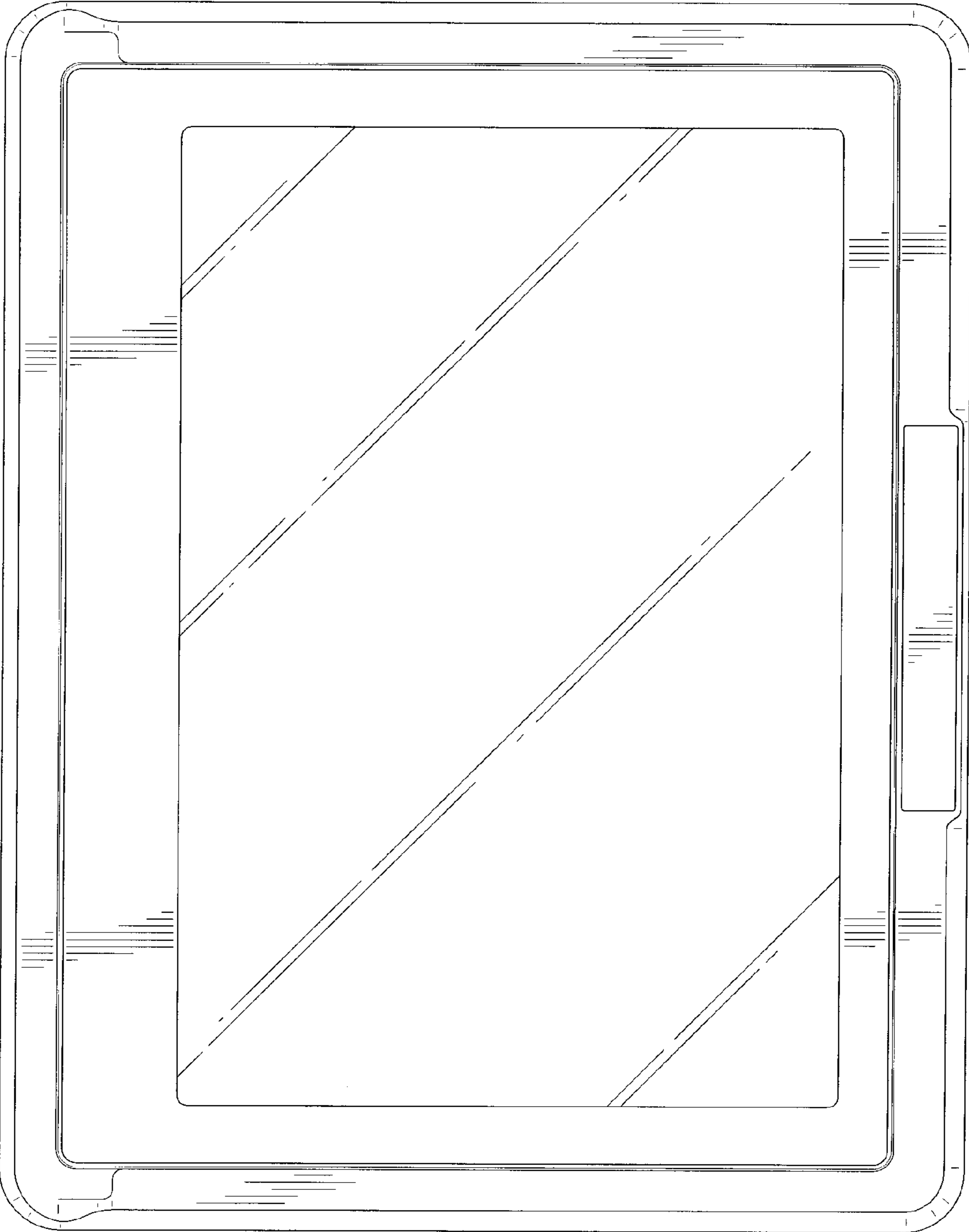


FIG. 3

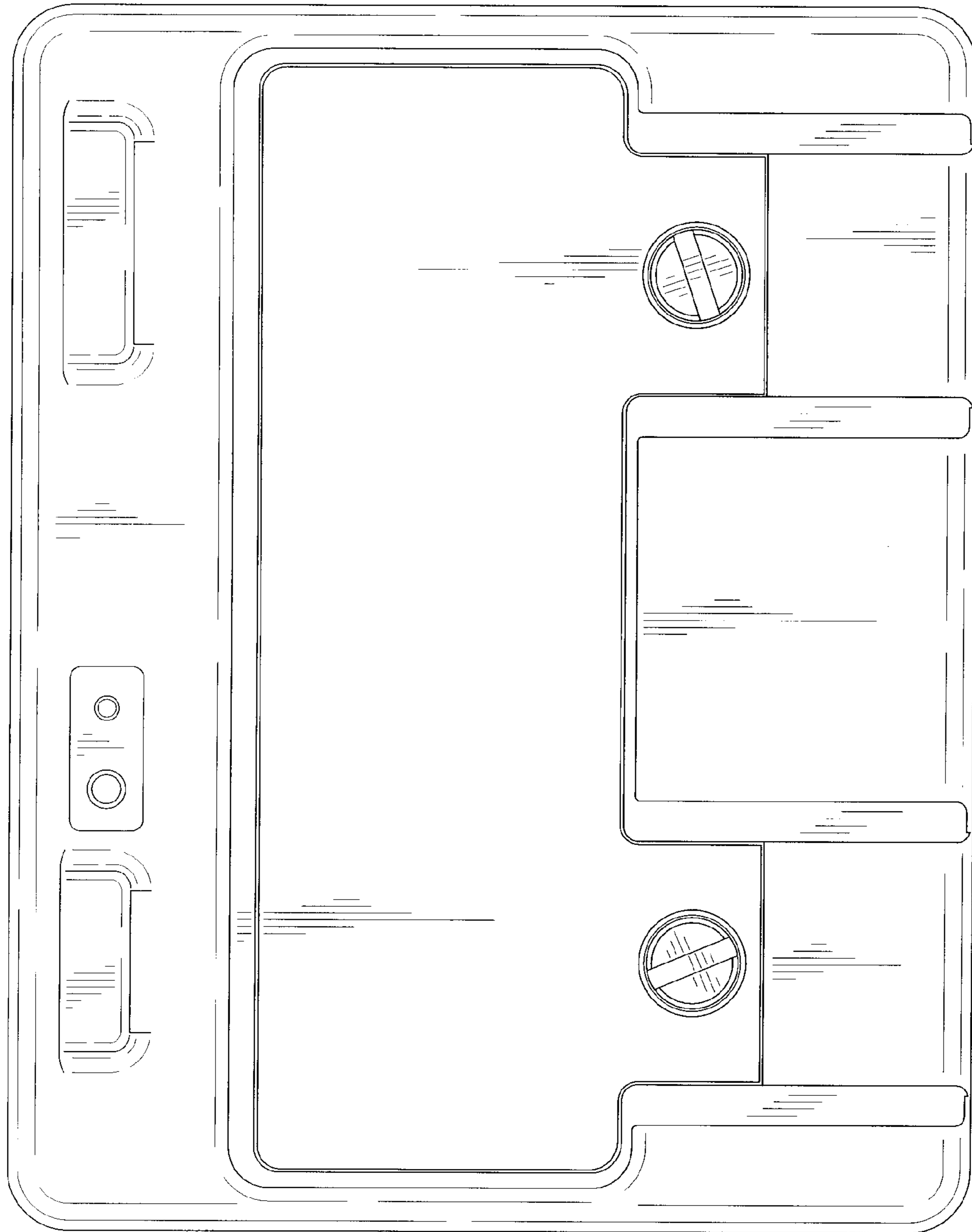


FIG. 4

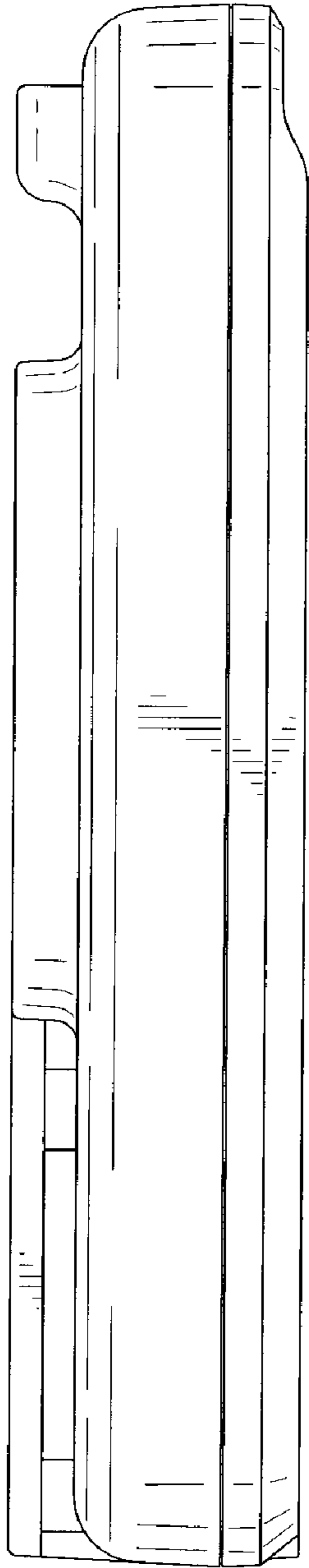


FIG. 5

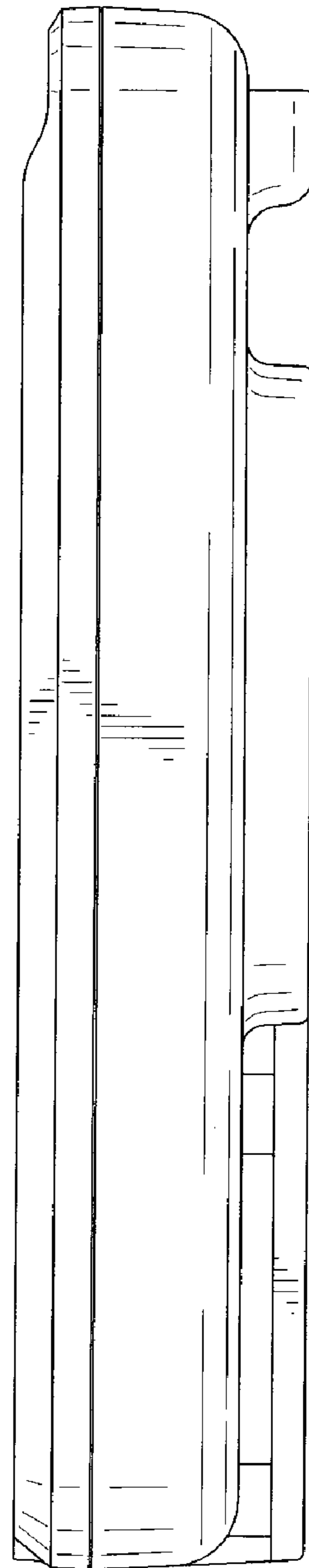


FIG. 6

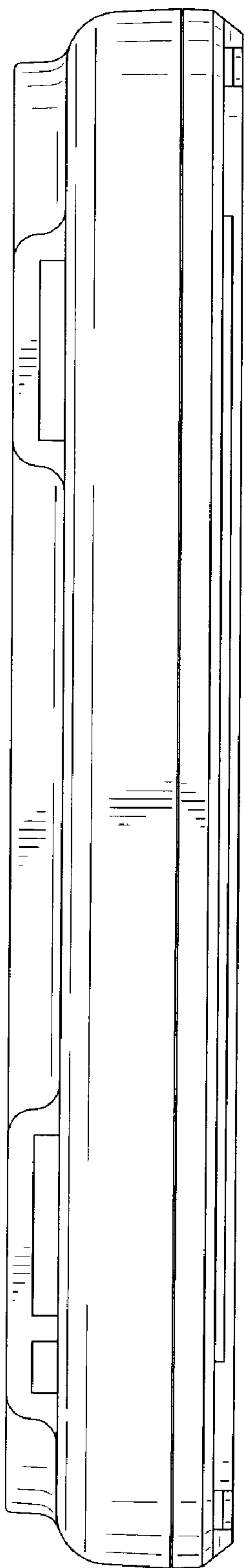


FIG. 7

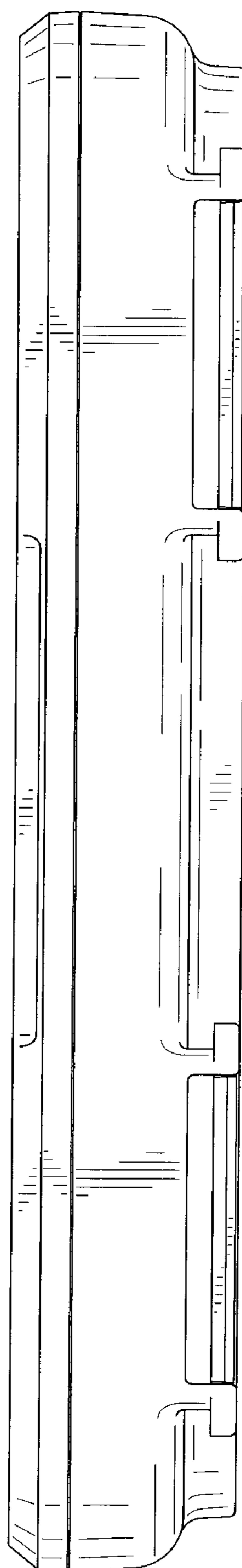


FIG. 8