



US00D624597S

(12) **United States Design Patent**  
**Evans**

(10) **Patent No.:** **US D624,597 S**

(45) **Date of Patent:** **\*\* Sep. 28, 2010**

(54) **SIGN POST**

(76) **Inventor:** **William P. Evans**, P.O. Box 878, Jamul,  
CA (US) 91935

(\*\*) **Term:** **14 Years**

(21) **Appl. No.:** **29/356,378**

(22) **Filed:** **Feb. 24, 2010**

(51) **LOC (9) Cl.** ..... **20-02**

(52) **U.S. Cl.** ..... **D20/41**

(58) **Field of Classification Search** ..... D20/10,  
D20/19, 39-43, 99; 40/584, 606.01, 606.1,  
40/606.13-606.15, 607.01-607.09, 607.1,  
40/608, 617; D6/484, 495; D10/104, 109;  
D99/32; 362/812

See application file for complete search history.

(56) **References Cited**

**U.S. PATENT DOCUMENTS**

D134,951	S	*	2/1943	Enghauser	.....	D99/32
4,326,352	A	*	4/1982	Barth	.....	40/607.06
4,357,772	A	*	11/1982	Amick et al.	.....	40/605
4,793,082	A	*	12/1988	Petrick et al.	.....	40/617
4,843,746	A	*	7/1989	DesNoyers et al.	.....	40/607.04
D399,263	S	*	10/1998	Christopher	.....	D20/41
D410,253	S	*	5/1999	Gagnon	.....	D20/41
5,903,991	A	*	5/1999	Sasse	.....	40/607.04
D434,082	S	*	11/2000	Tsiogas	.....	D20/41

6,318,011	B1	*	11/2001	McCudden	.....	40/607.1
D535,837	S	*	1/2007	Lowsky	.....	D6/484
2010/0031546	A1	*	2/2010	Nwatu	.....	40/607.1

\* cited by examiner

*Primary Examiner*—Mary Ann Calabrese  
(74) *Attorney, Agent, or Firm*—QuickPatents, Inc.; Kevin Prince

(57) **CLAIM**

What is claimed is the ornamental design for a sign post, as shown and described.

**DESCRIPTION**

FIG. 1 is a perspective view of a sign post, showing the new design;

FIG. 2 is a front elevational view thereof;

FIG. 3 is a rear elevational view thereof;

FIG. 4 is a left-side elevational view thereof;

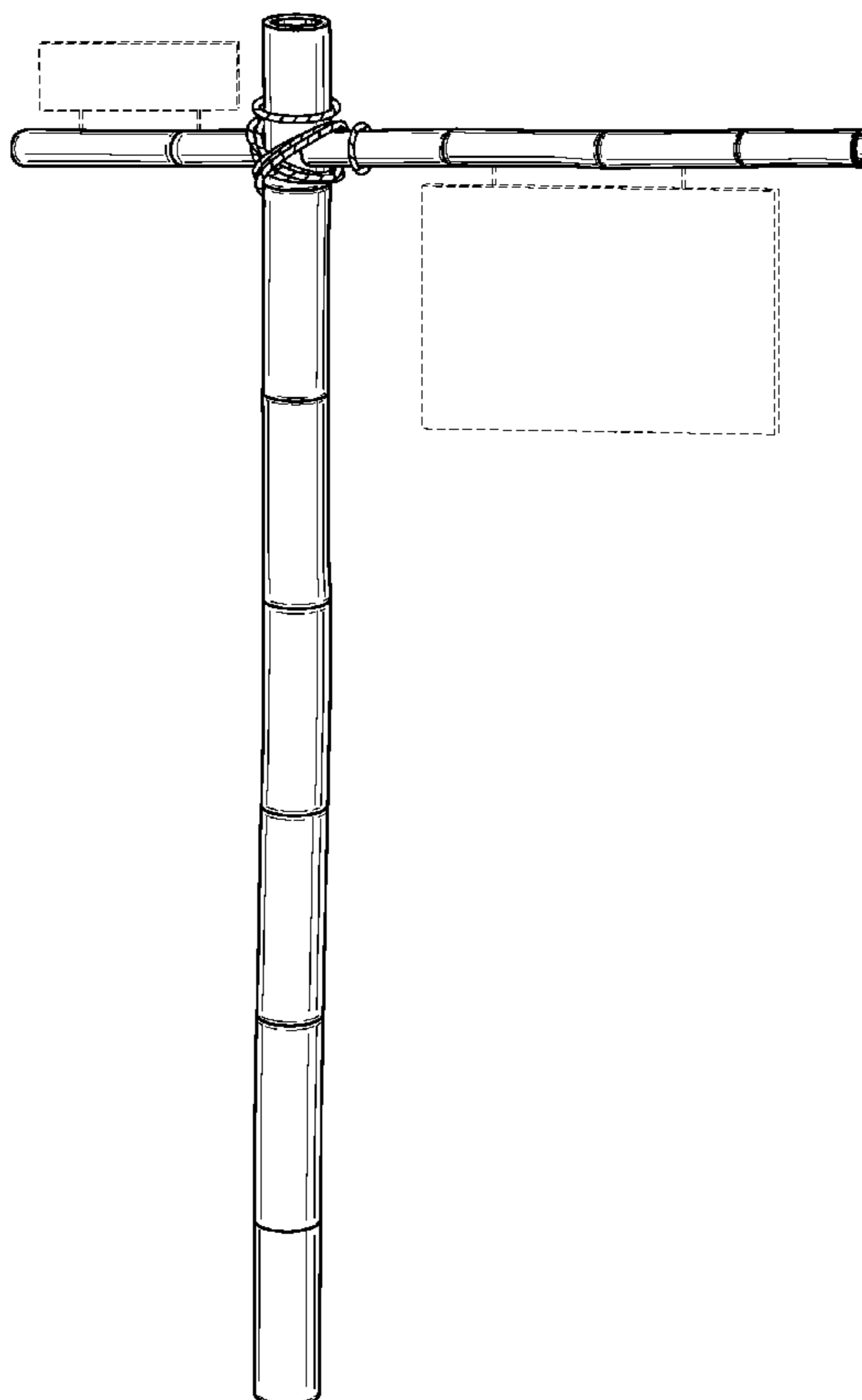
FIG. 5 is a right-side elevational view thereof;

FIG. 6 is a top plan view thereof; and,

FIG. 7 is a bottom plan view thereof.

The broken lines showing a pair of signs in FIG. 1 are included for the purpose of illustrating the invention in use, and form no part of the claimed design.

**1 Claim, 3 Drawing Sheets**



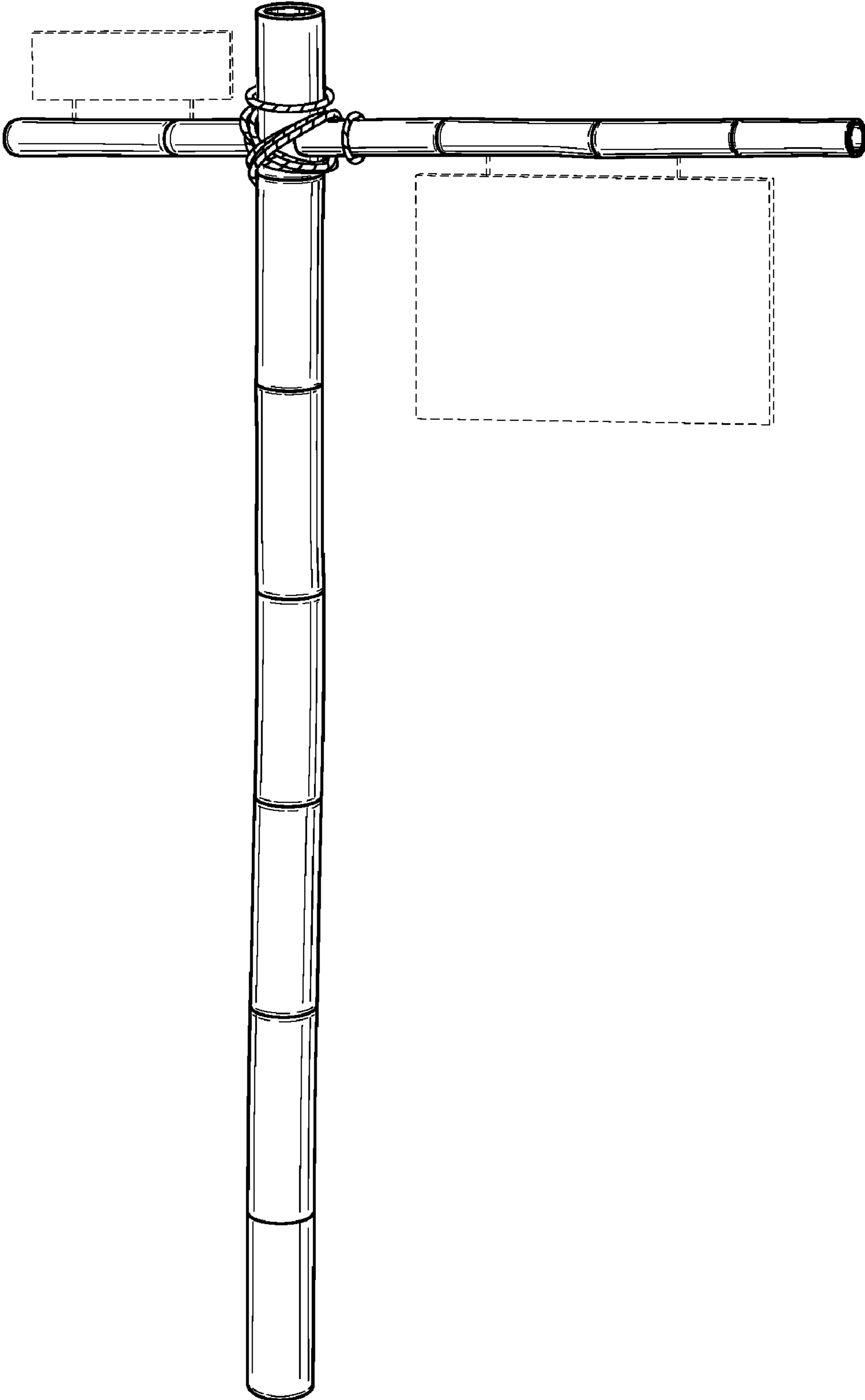


FIG. 1

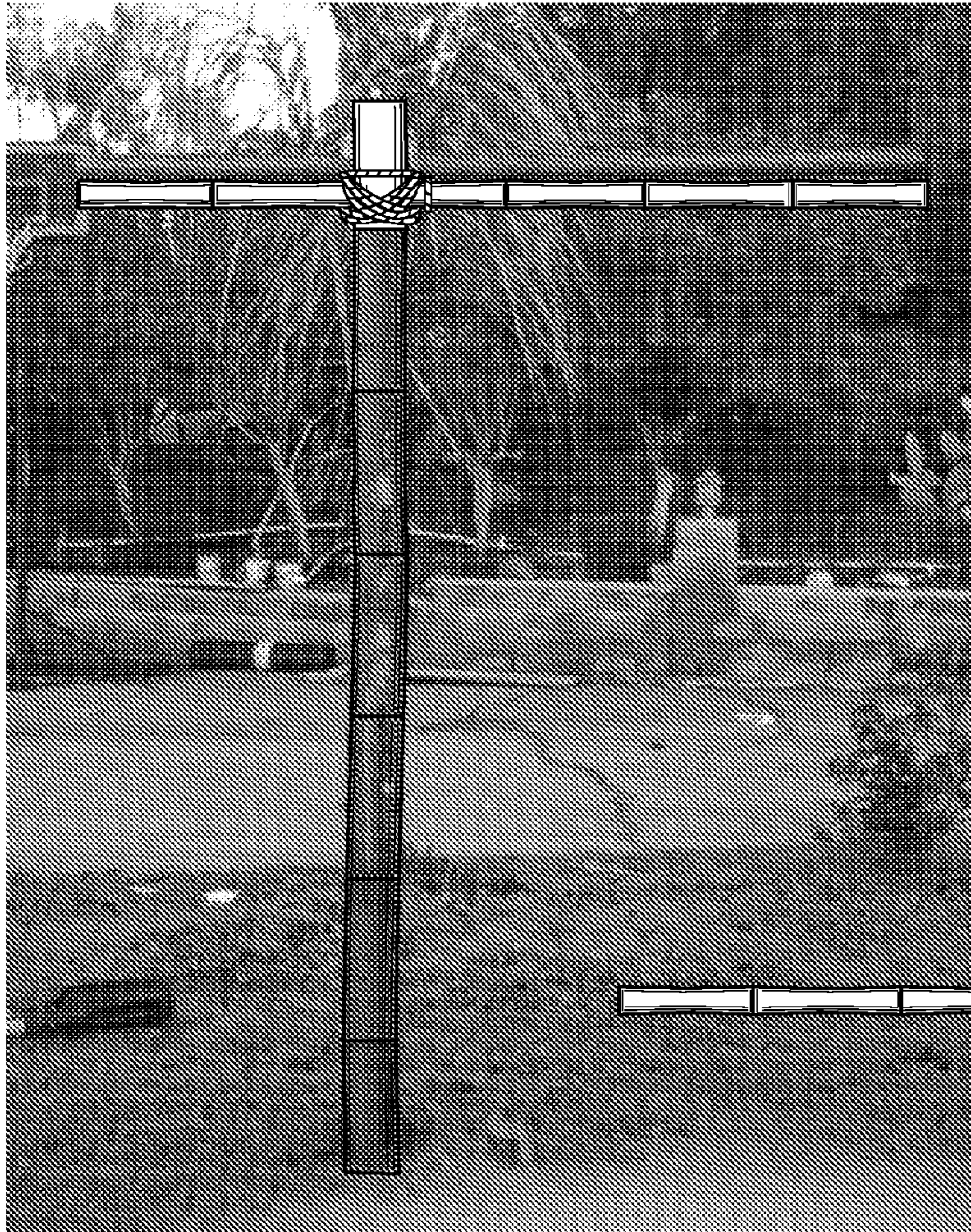


FIG. 2

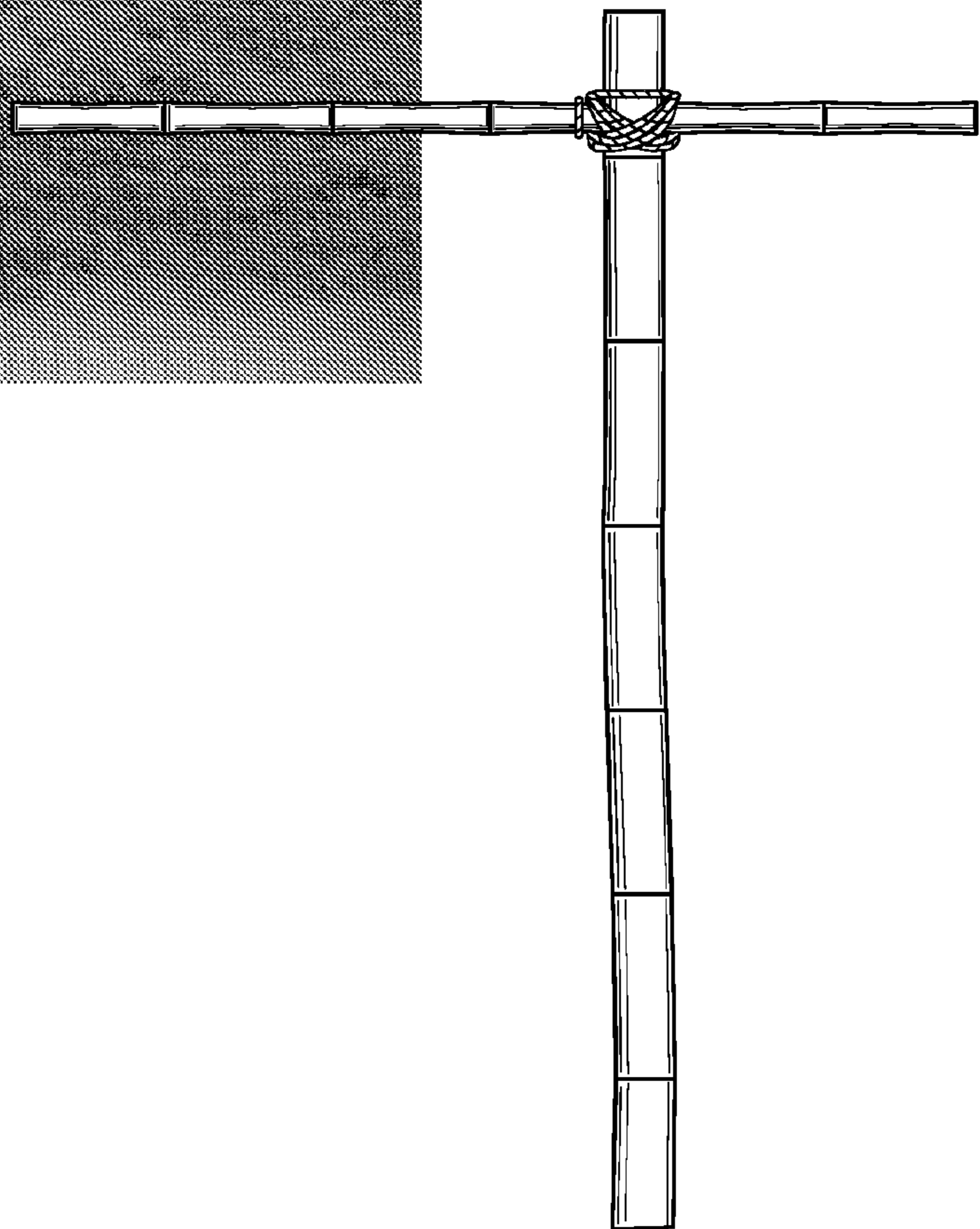


FIG. 3

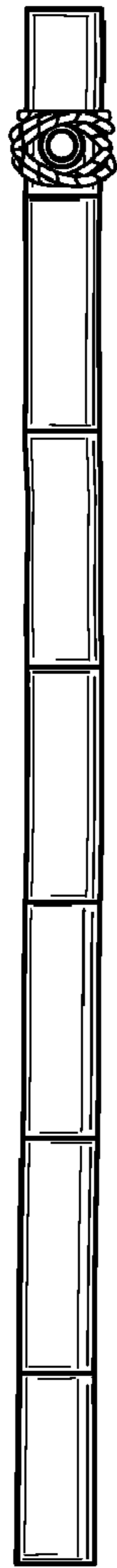


FIG. 4

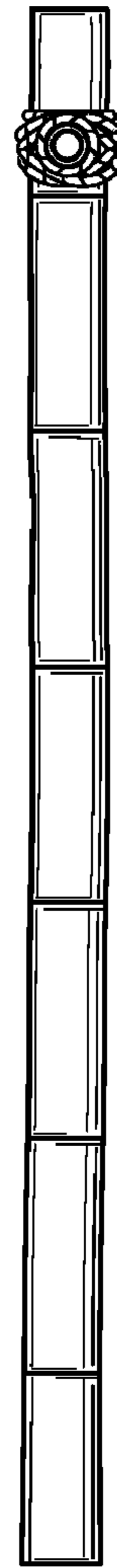


FIG. 5



FIG. 6



FIG. 7

UNITED STATES PATENT AND TRADEMARK OFFICE  
**CERTIFICATE OF CORRECTION**

PATENT NO. : Des. 624,597 S  
APPLICATION NO. : 29/356378  
DATED : September 28, 2010  
INVENTOR(S) : William P. Evans

Page 1 of 1

It is certified that error appears in the above-identified patent and that said Letters Patent is hereby corrected as shown below:

In the Drawings:  
FIGS. 2 and 3 should be replaced with the following figures:

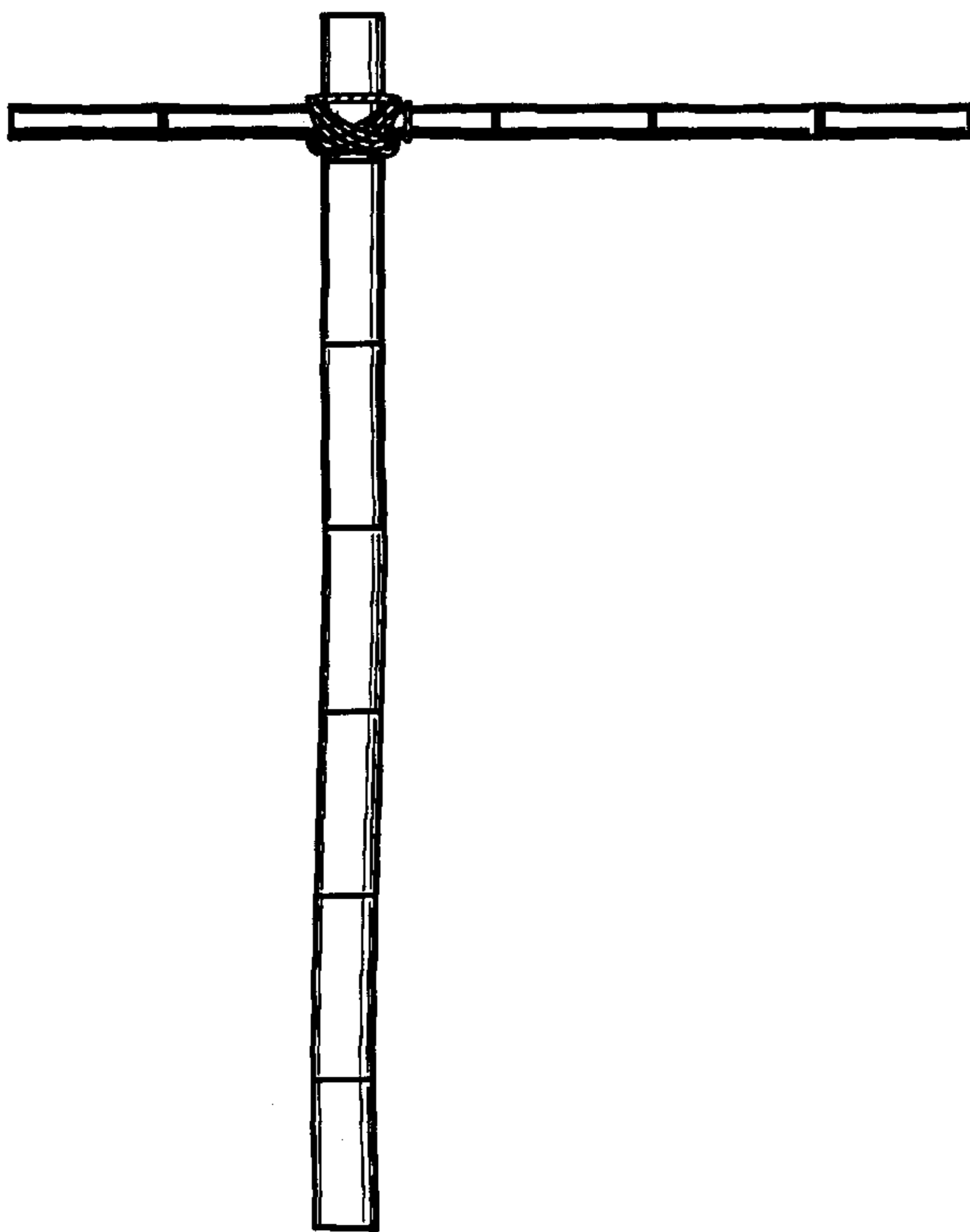


FIG. 2

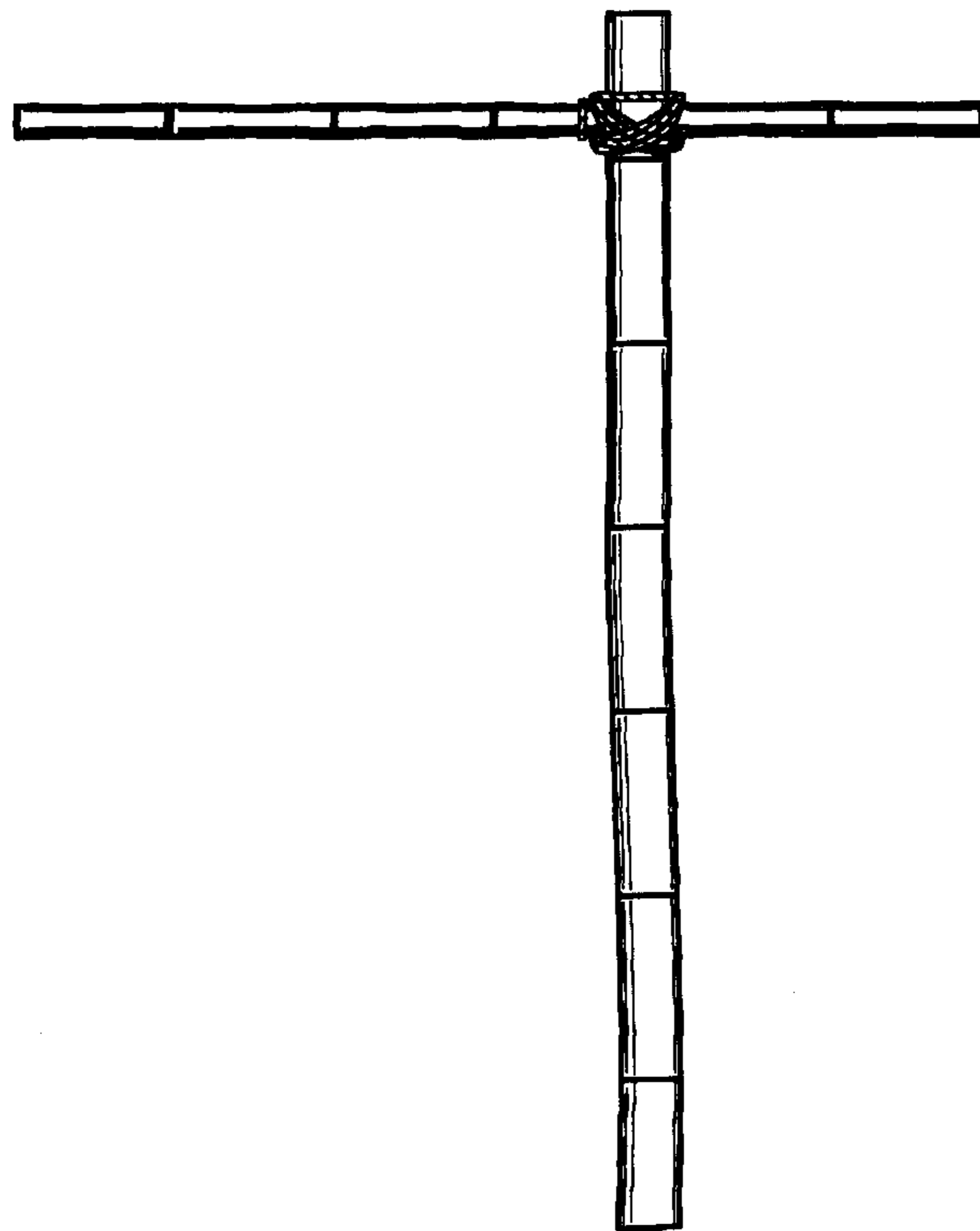


FIG. 3

Signed and Sealed this

Thirtieth Day of November, 2010

*David J. Kappos*

David J. Kappos  
Director of the United States Patent and Trademark Office