



US00D624593S

(12) **United States Design Patent**
Prendiville et al.

(10) **Patent No.:** **US D624,593 S**

(45) **Date of Patent:** **** Sep. 28, 2010**

(54) **LAPAROSCOPIC APPARATUS**

(75) Inventors: **Walter Prendiville**, Rathcoole (IE); **Ray O’Sullivan**, Kilkenny (IE); **Ian Niblock**, Belfast (GB); **Robert Bailie**, Helens Bay (GB); **Kevin Maguire**, Parnell Square (IE)

(73) Assignee: **Endosim Limited**, Belfast (GB)

(**) Term: **14 Years**

(21) Appl. No.: **29/319,054**

(22) Filed: **Jun. 3, 2008**

(30) **Foreign Application Priority Data**

Dec. 3, 2007 (EM) 000835814-0001

(51) **LOC (9) Cl.** **19-07**

(52) **U.S. Cl.** **D19/62; D24/138; D24/144; D24/186**

(58) **Field of Classification Search** D24/138, D24/107, 144, 186; 600/144, 170, 178, 132, 600/160, 300, 301, 368, 372, 481, 529, 544, 600/554, 561; D19/59-64; 434/186, 262-263
See application file for complete search history.

(56) **References Cited**

U.S. PATENT DOCUMENTS

D275,226 S * 8/1984 Nishigaki D24/138
D349,340 S * 8/1994 Snoke et al. D24/137
D412,977 S * 8/1999 Hayamizu D24/186
D481,123 S * 10/2003 Hayamizu D24/144

D534,654 S * 1/2007 Hayamizu D24/186
D537,163 S * 2/2007 Nakamura D24/138
D564,094 S * 3/2008 Hayashi D24/144
D564,661 S * 3/2008 Hayashi D24/138
D565,178 S * 3/2008 Tanaka D24/144
D584,812 S * 1/2009 Ries D24/111
D598,098 S * 8/2009 Tanaka D24/138
D598,100 S * 8/2009 Tanaka D24/144
2005/0267333 A1 * 12/2005 Hino 600/132

* cited by examiner

Primary Examiner—T. Chase Nelson

Assistant Examiner—Mark Cavanna

(74) *Attorney, Agent, or Firm*—Van Dyke, Gardner, Linn & Burkhart, LLP

(57) **CLAIM**

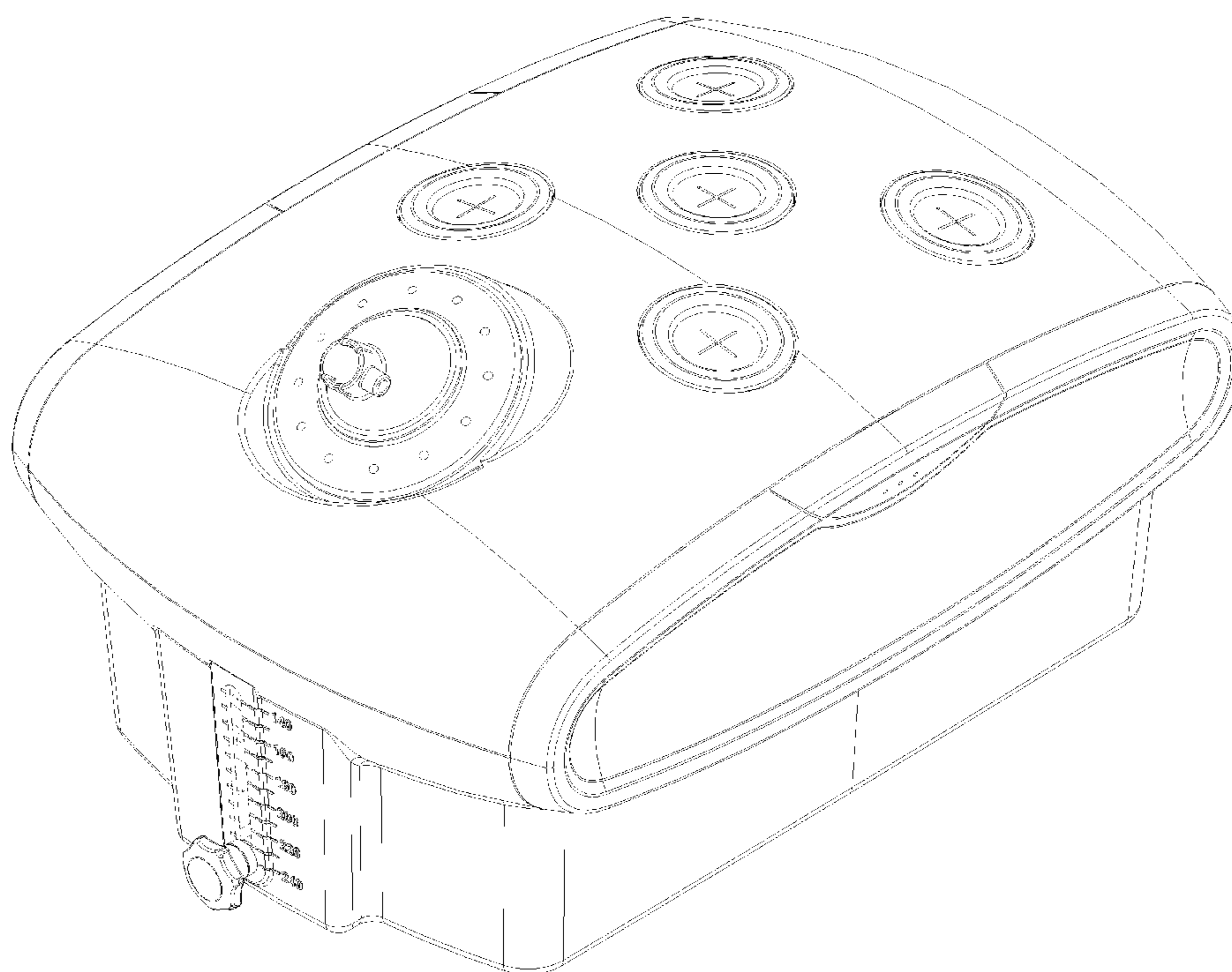
The ornamental design for a laparoscopic apparatus, as shown and described.

DESCRIPTION

FIG. 1 is a perspective view of a laparoscopic apparatus; FIG. 2 is a plan view of the laparoscopic apparatus of FIG. 1; FIG. 3 is a side view of the laparoscopic apparatus of FIG. 1; FIG. 4 is an enlarged first end view of the laparoscopic apparatus of FIG. 1; and, FIG. 5 is an enlarged second end view of the laparoscopic apparatus of FIG. 1.

The broken lines shown are included for the purpose of illustrating portions of the laparoscopic apparatus that form no part of the claimed design.

1 Claim, 5 Drawing Sheets



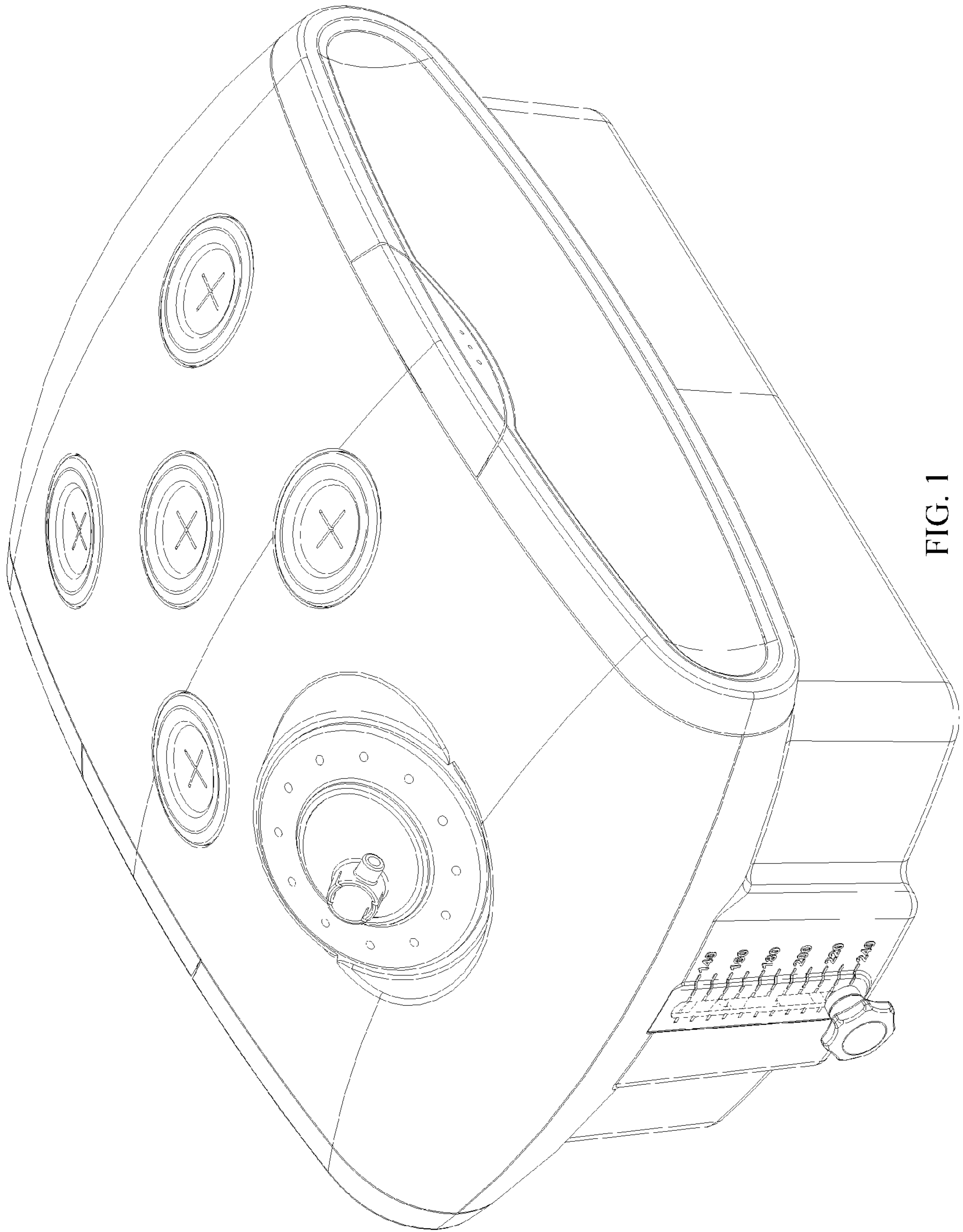
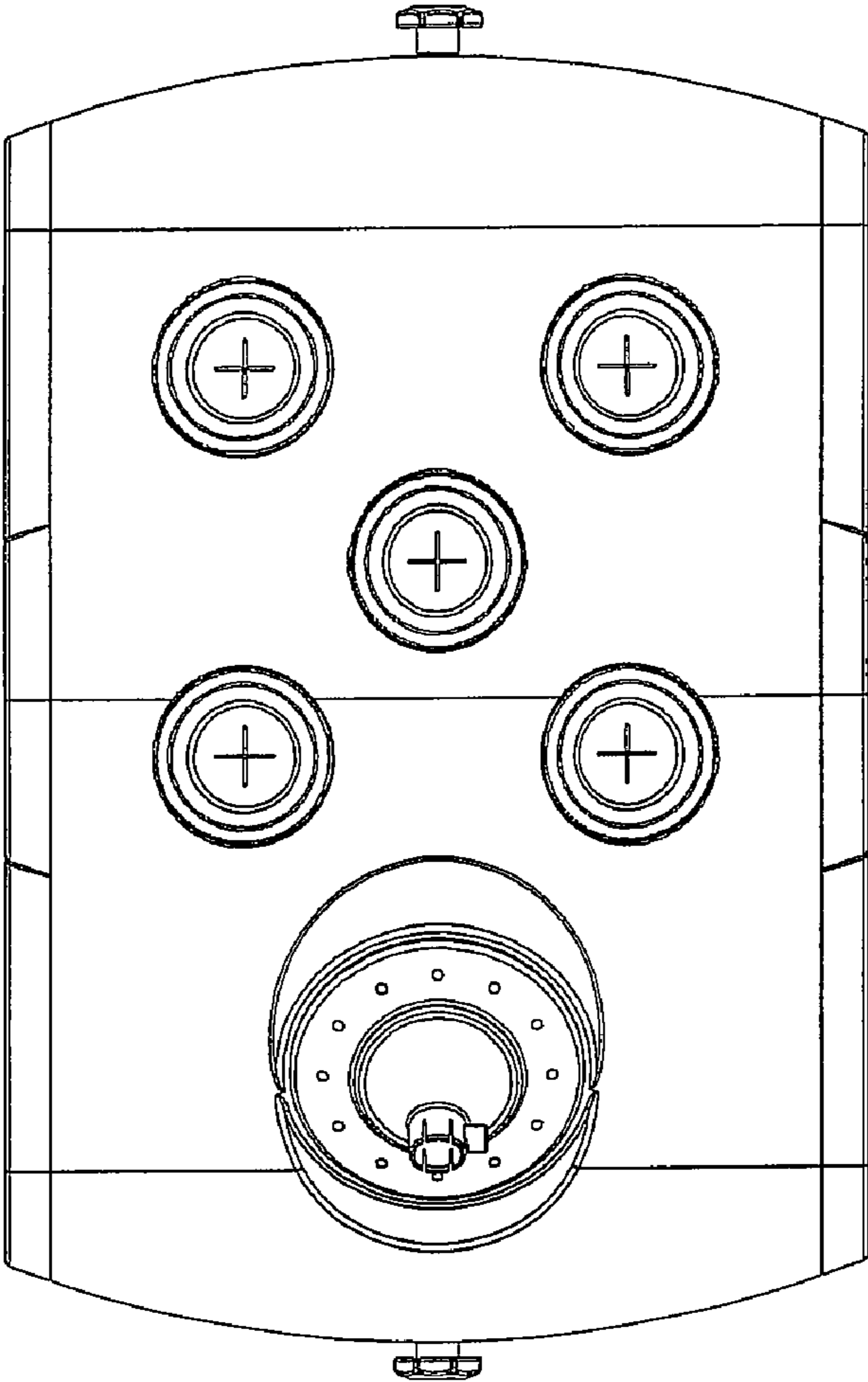


FIG. 1

Figure 2



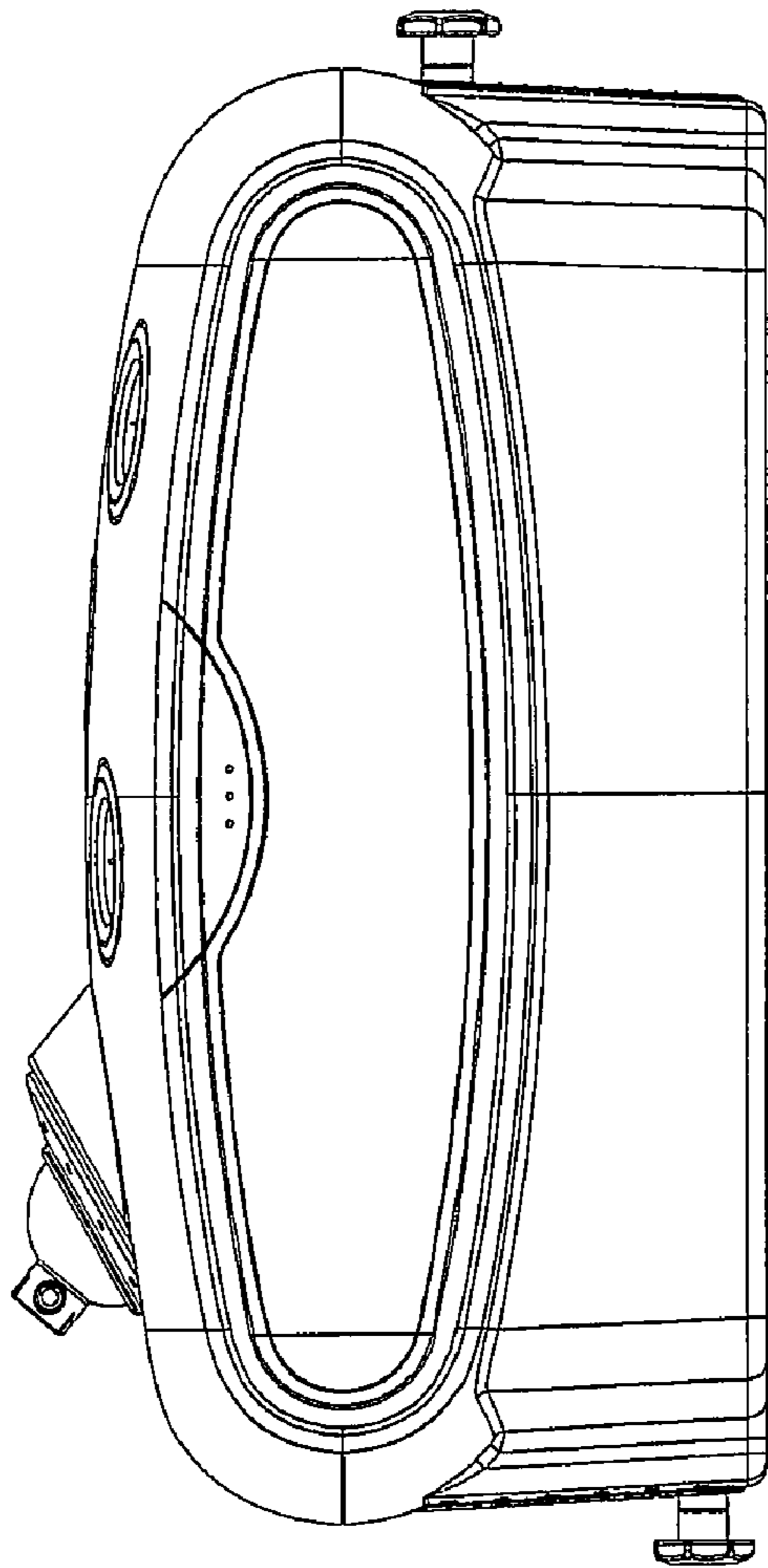


Figure 3

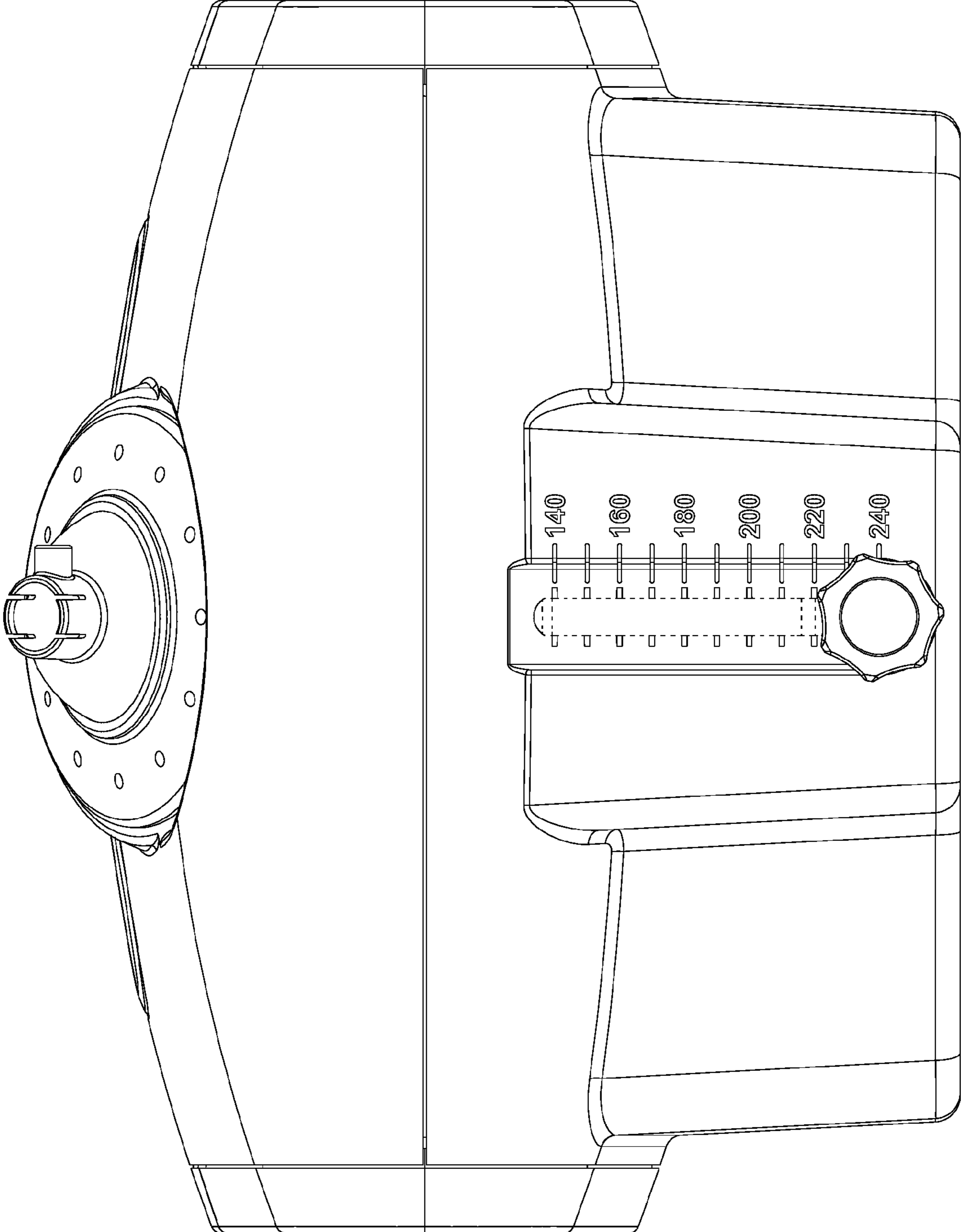


FIG. 4

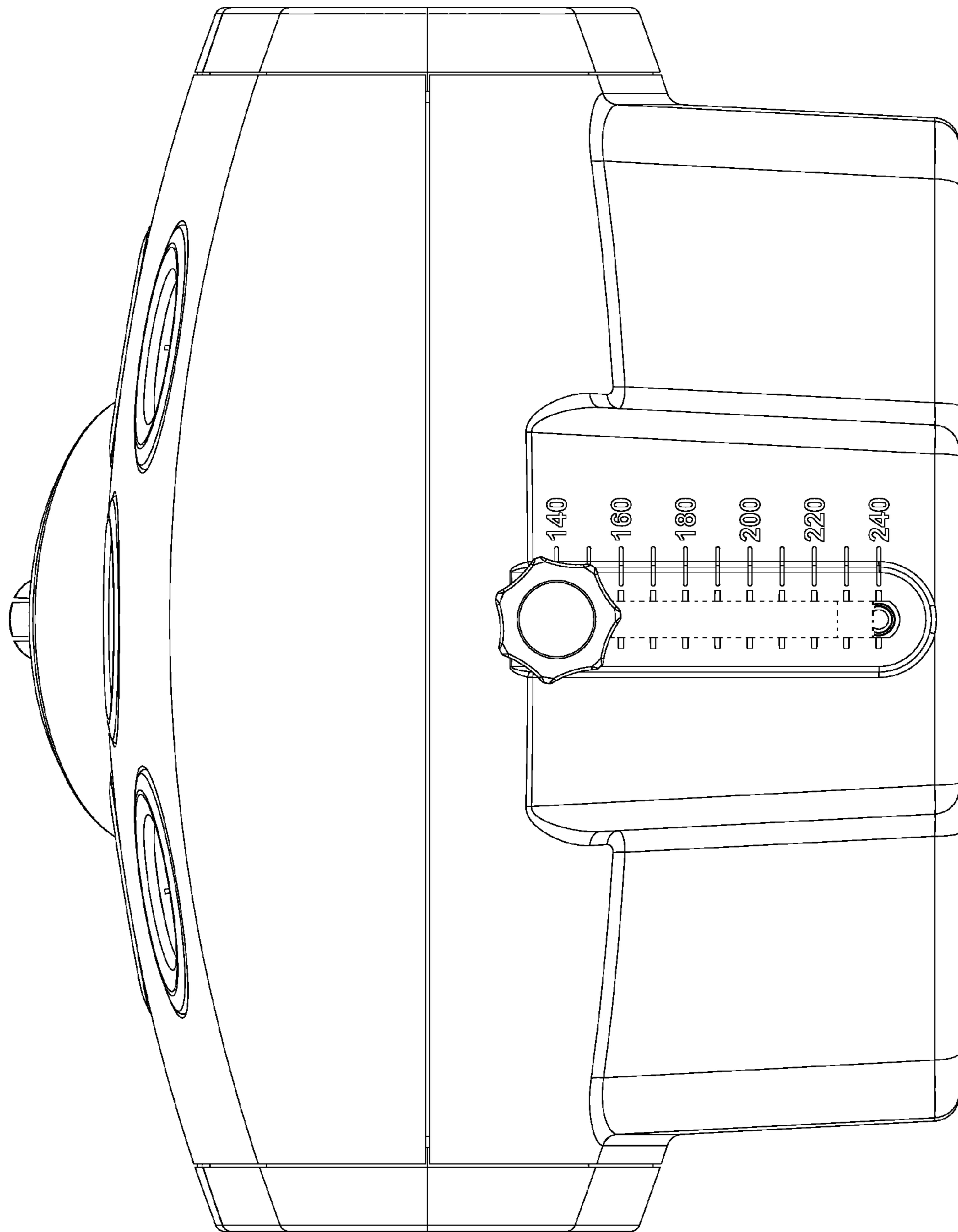


FIG. 5