



US00D624592S

(12) **United States Design Patent**
Stukenkemper

(10) **Patent No.:** **US D624,592 S**

(45) **Date of Patent:** **** Sep. 28, 2010**

(54) **SHARPENER/ERASER**

(75) **Inventor:** **Heinrich Stukenkemper,**
Castrop-Rauxel (DE)

(73) **Assignee:** **Faber-Castell Aktiengesellschaft, Stein**
(DE)

(**) **Term:** **14 Years**

(21) **Appl. No.:** **29/337,303**

(22) **Filed:** **May 19, 2009**

(30) **Foreign Application Priority Data**

Nov. 19, 2008 (EM) 001042196-0003

(51) **LOC (9) Cl.** **19-06**

(52) **U.S. Cl.** **D19/53**

(58) **Field of Classification Search** D8/90,
D8/91, 98; D19/35, 36, 41-51, 53-57, 72-74,
D19/99; 15/105.51, 424-434; 30/451-462;
144/28.1, 28.11, 28.2-28.7, 28.72, 28.8,
144/28; 401/19, 49, 52, 86, 88
See application file for complete search history.

(56) **References Cited**

U.S. PATENT DOCUMENTS

2,528,709	A *	11/1950	Raymond et al.	451/524
D238,871	S *	2/1976	Zierhut	D19/57
D294,519	S *	3/1988	Hardy, Jr.	D24/144
D300,087	S *	3/1989	Henderson	D3/209
4,991,299	A *	2/1991	Dietterich et al.	30/453
D363,739	S *	10/1995	Petrillo	D19/48
D377,947	S *	2/1997	Ladner	D19/36
D402,314	S *	12/1998	Lidle et al.	D19/73
D402,692	S *	12/1998	Huang	D19/44
D420,390	S *	2/2000	Donaldson	D19/73
D425,122	S *	5/2000	Bardet	D19/53

D500,792	S *	1/2005	Bain et al.	D19/48
6,974,026	B2 *	12/2005	Chan et al.	206/224
D545,896	S *	7/2007	Qiu	D19/36
D563,469	S *	3/2008	Qiu et al.	D19/44
D566,178	S *	4/2008	Qiu et al.	D19/50
7,497,636	B2 *	3/2009	Fielding, Jr.	401/195
D593,602	S *	6/2009	Katami et al.	D19/36

* cited by examiner

Primary Examiner—Elizabeth A Albert

(74) *Attorney, Agent, or Firm*—Calfee, Halter & Griswold
LLP

(57) **CLAIM**

I claim the ornamental design for a sharpener/eraser, as shown and described.

DESCRIPTION

FIG. 1 is a front view of the sharpener/eraser.

FIG. 2 is a rear view thereof;

FIG. 3 is a right side exploded view thereof;

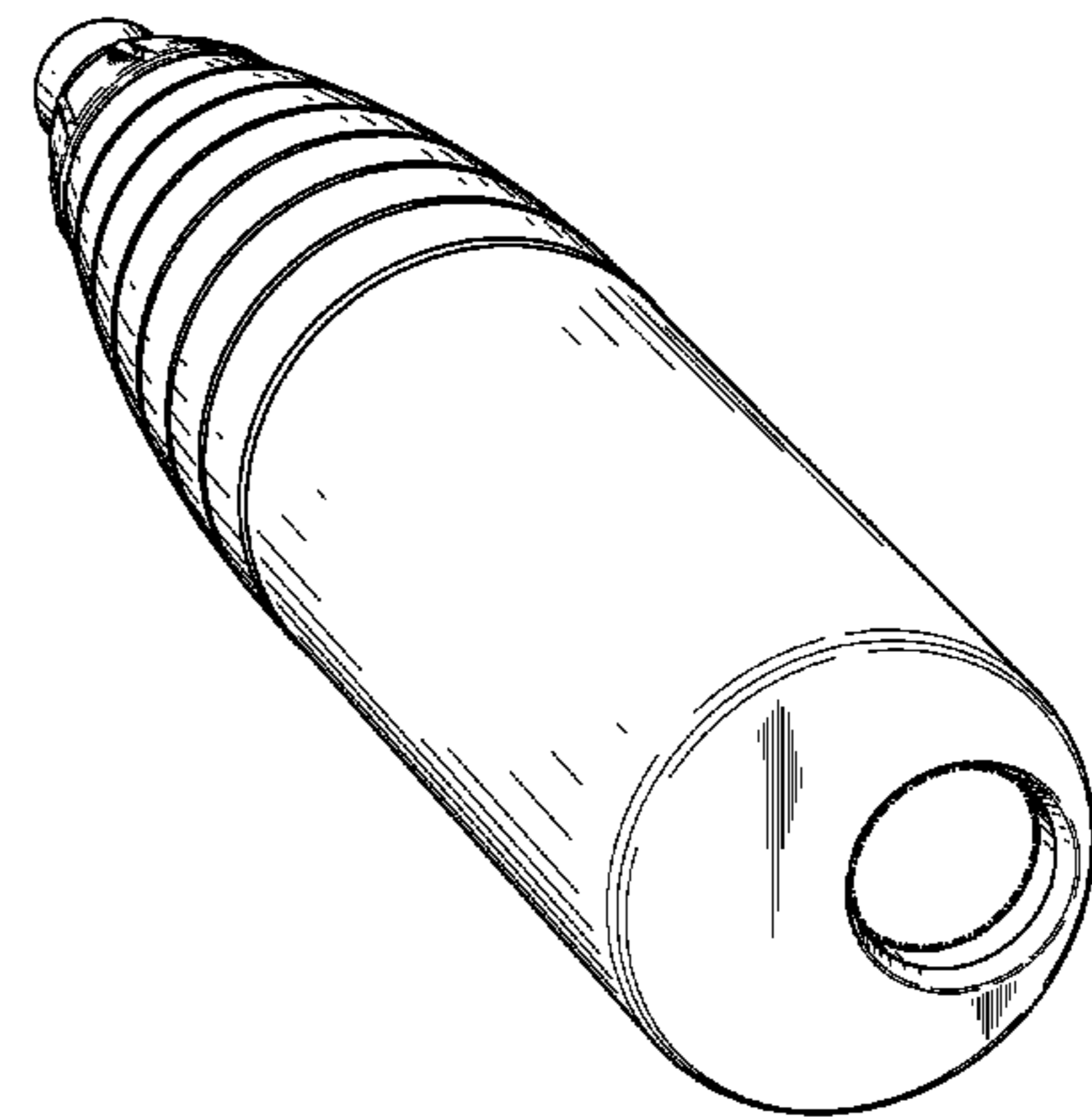
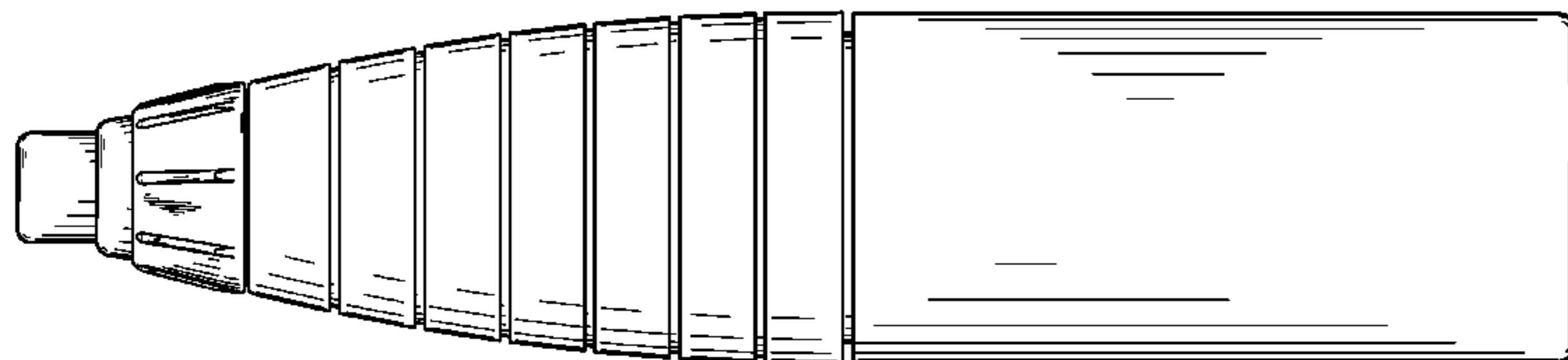
FIG. 4 is a right side view thereof, wherein the left side view would be a mirror image thereof, the top view would be identical thereto, and the bottom view would be a mirror image thereof;

FIG. 5 is a rear/right/top perspective view thereof; and,

FIG. 6 is a front/left/top perspective view thereof, wherein the front/right/top perspective view the front/right/bottom perspective view, and the front/left/bottom perspective view would all be mirror images thereof.

The dash-dot lines represent the bounds of the claimed design, while all other broken lines are directed to environment and are for illustrative purposes only; the dash-dot lines and the broken lines form no part of the claimed design.

1 Claim, 6 Drawing Sheets



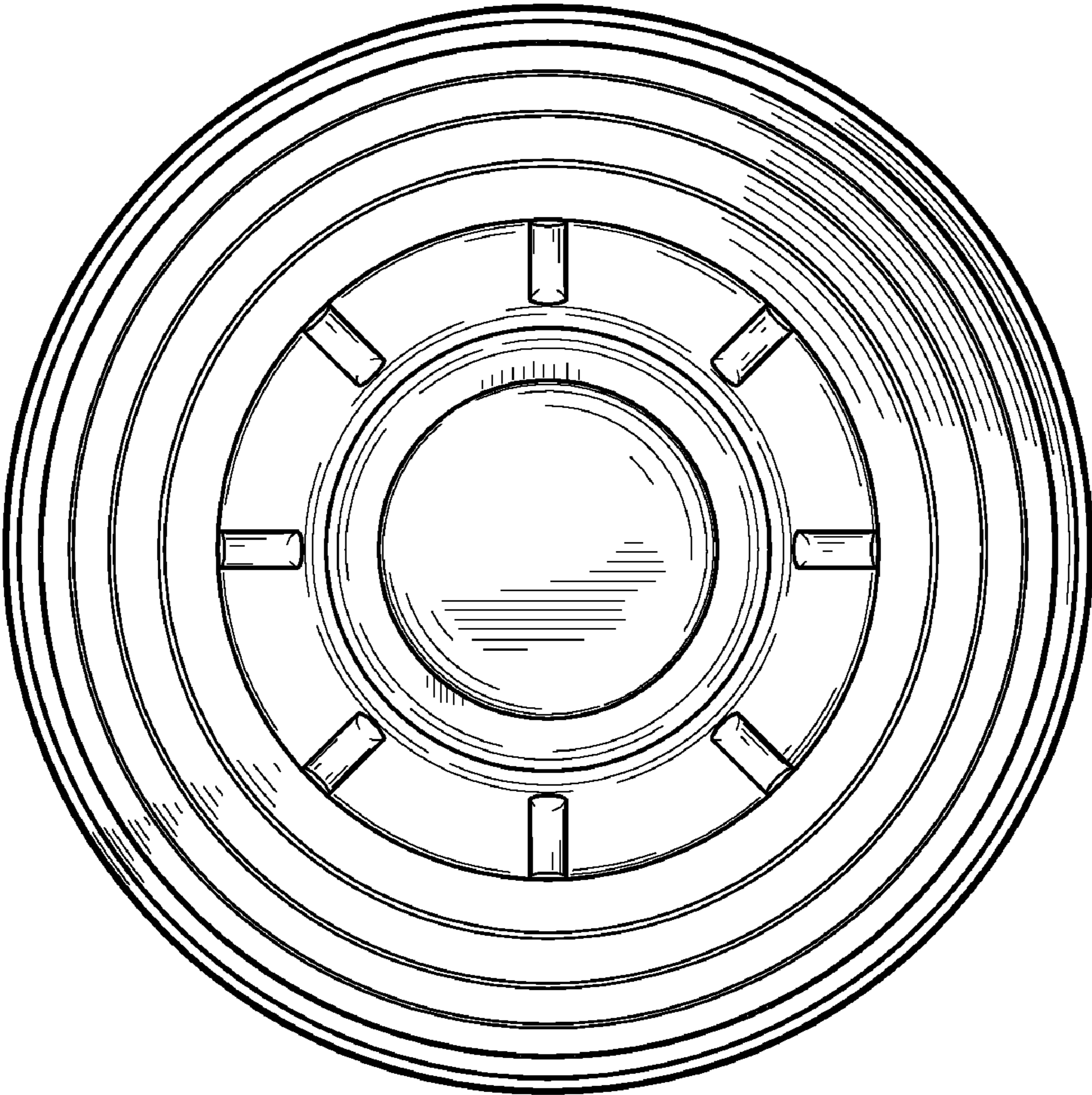


Fig. 1

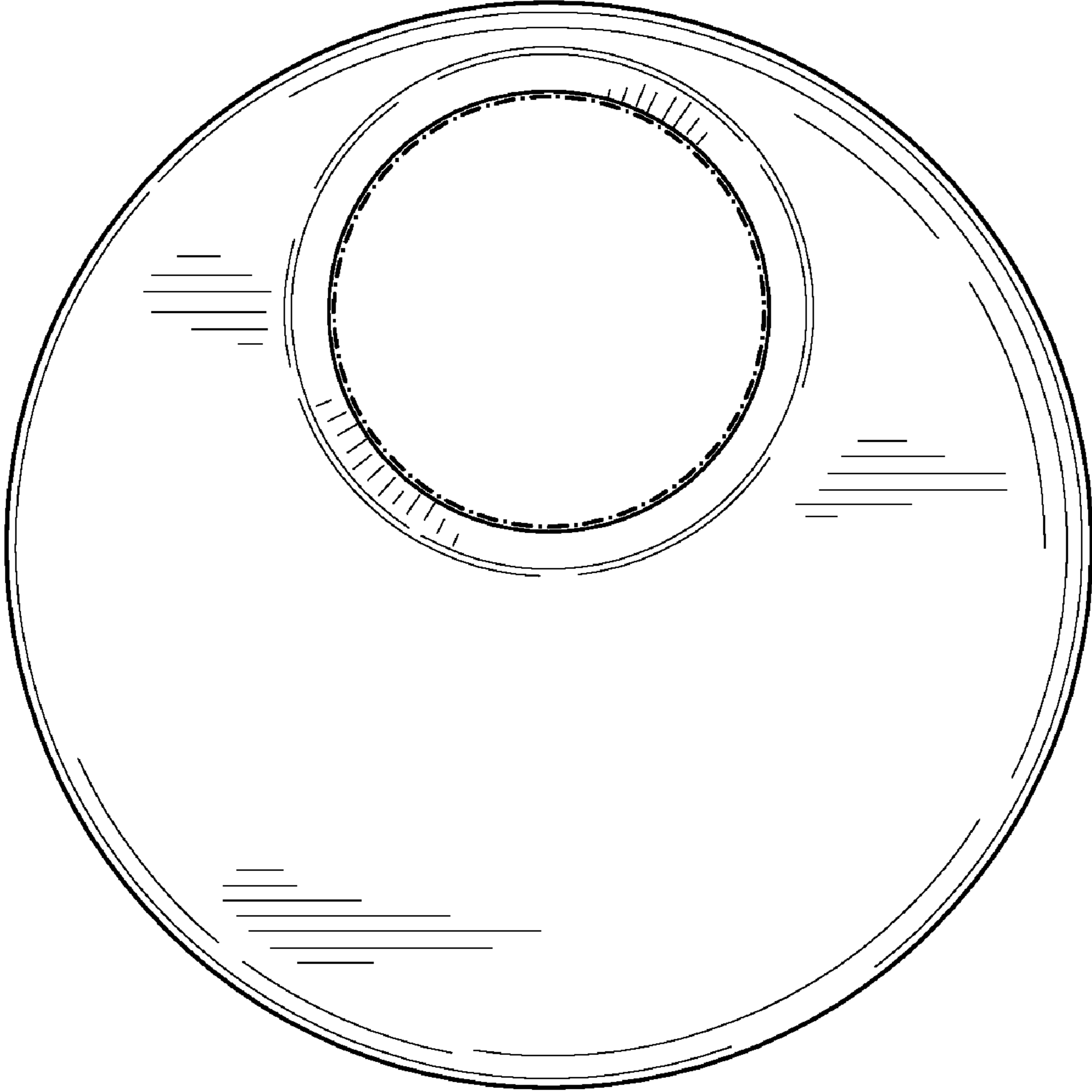
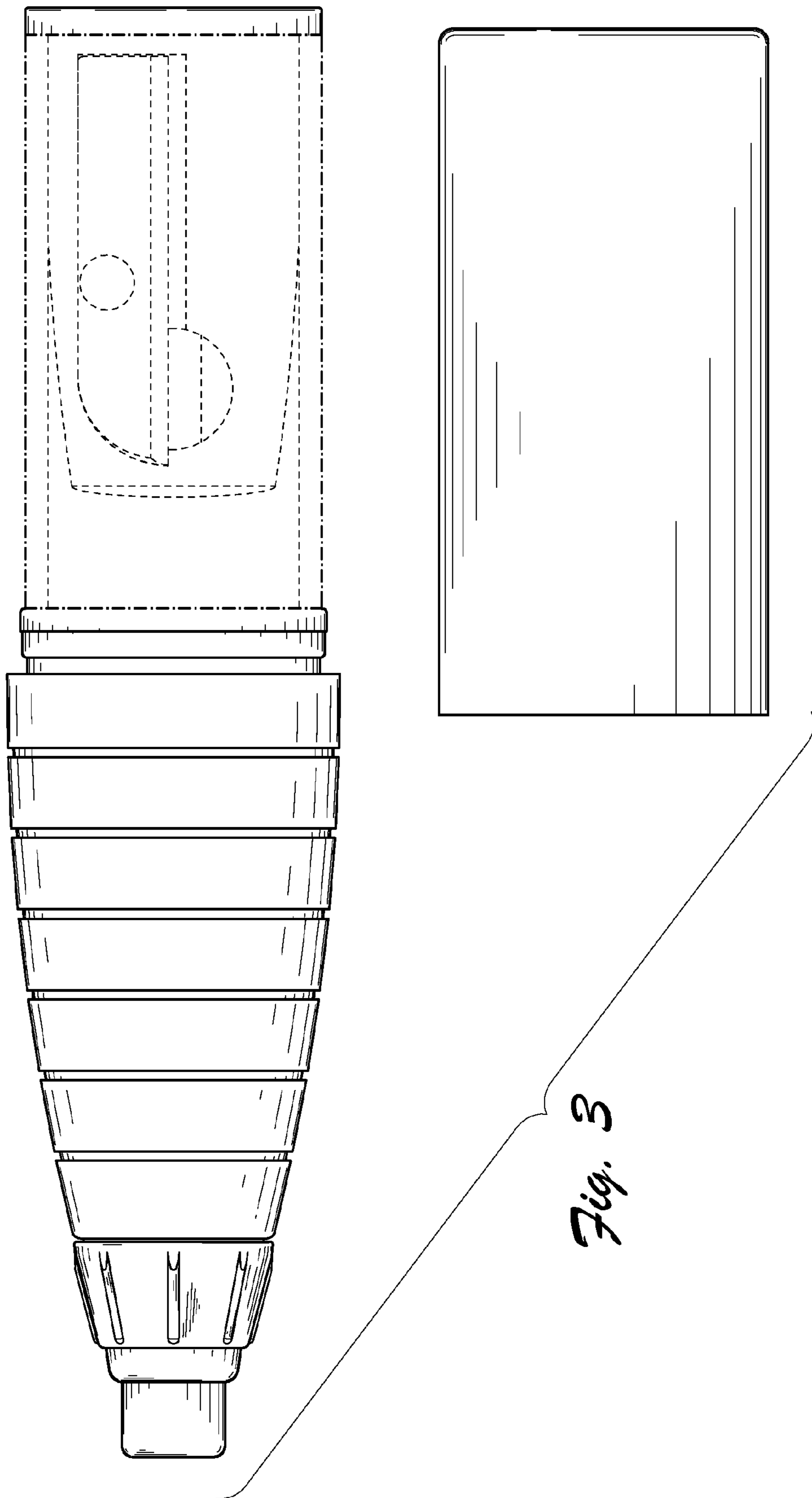


Fig. 2



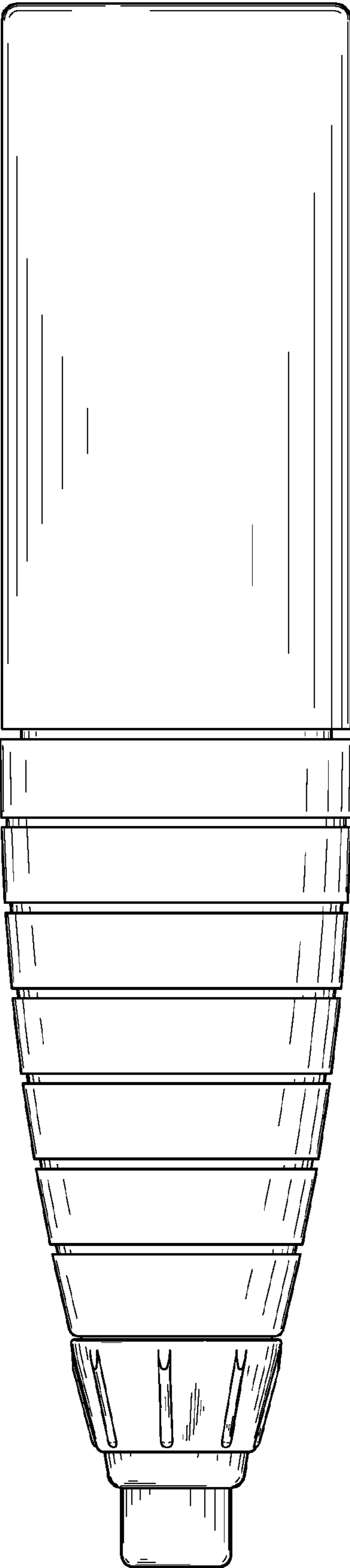


Fig. 4

Fig. 5

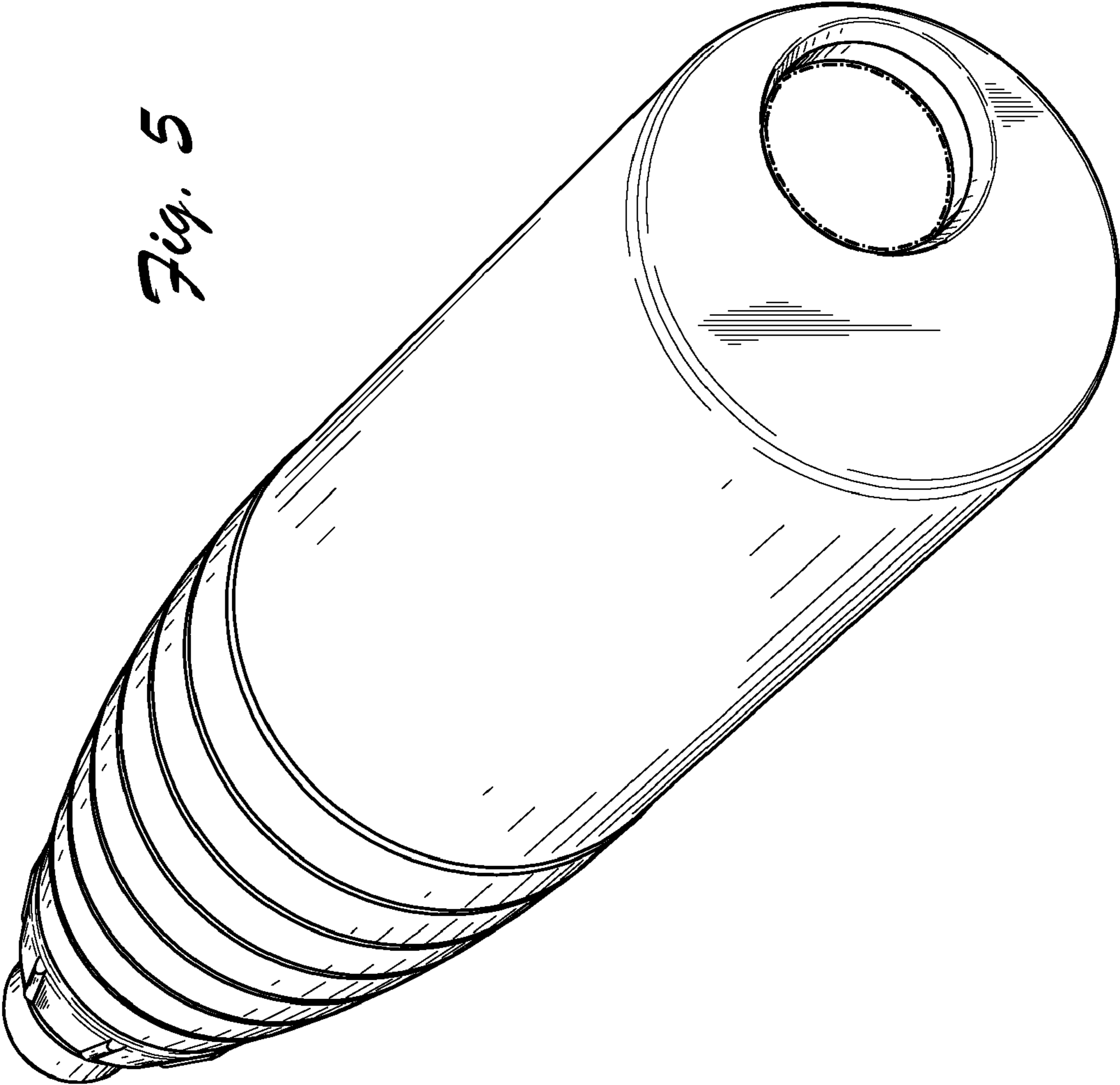


Fig. 6

