



US00D624586S

(12) **United States Design Patent**
Halbur et al.

(10) **Patent No.:** **US D624,586 S**

(45) **Date of Patent:** **** Sep. 28, 2010**

(54) **TRANSACTION CARD**

(75) Inventors: **Ted C. Halbur**, Lino Lakes, MN (US);
Donald C. Clark, Seattle, WA (US);
Roger Ricketts, Woodbury, MN (US)

(73) Assignee: **Target Brands, Inc.**, Minneapolis, MN (US)

(**) Term: **14 Years**

(21) Appl. No.: **29/352,743**

(22) Filed: **Dec. 24, 2009**

(51) **LOC (9) Cl.** **19-08**

(52) **U.S. Cl.** **D19/9**

(58) **Field of Classification Search** D19/1-34,
D19/100; 40/124.01, 672, 661, 776, 726,
40/617; 283/72, 74, 103, 105, 106; D6/407,
D6/632; 235/380, 449, 487, 492, 493, 488;
206/449, 815, 315; D20/10, 22, 17, 27, 40,
D20/11, 39, 43; D14/435-437, 478

See application file for complete search history.

(56) **References Cited**

U.S. PATENT DOCUMENTS

744,545 A	11/1903	Hervey
966,107 A	8/1910	Lowe
976,495 A	11/1910	Reeves
1,041,573 A	10/1912	Baring-Gould
1,546,928 A	7/1925	Graham
1,618,710 A	2/1927	Hose
1,951,022 A	3/1934	Iverson
1,961,973 A	6/1934	Jenkins
2,232,060 A	2/1941	Foster
2,411,987 A	11/1942	D'Antonio
D142,161 S	8/1945	Braund
2,476,742 A	7/1949	Lareau et al.
2,573,625 A	10/1951	Swart
2,728,167 A	12/1955	Knott
2,732,655 A	1/1956	Dirckx
2,787,852 A	4/1957	Youngren
2,863,235 A	5/1957	Krause
2,815,605 A	12/1957	Connell

2,834,123 A	5/1958	Knight
2,931,657 A	4/1960	Lewis
3,139,690 A	7/1964	Hait
3,466,773 A	9/1969	Kessler
3,710,508 A	1/1973	McLaren
3,717,942 A	2/1973	Presby

(Continued)

FOREIGN PATENT DOCUMENTS

GB 2277482 A 11/1994

OTHER PUBLICATIONS

GiftCard with Rotating Pinwheel Offered for Sale at Target retail stores beginning Dec. 26, 2004 (2 pages).

(Continued)

Primary Examiner—Ian Simmons

Assistant Examiner—Abraham Bahta

(74) *Attorney, Agent, or Firm*—Griffiths & Seaton PLLC

(57) **CLAIM**

The ornamental design for a transaction card, as shown and described.

DESCRIPTION

FIG. 1 is a front perspective view of a transaction card showing our new design;

FIG. 2 is a front view thereof;

FIG. 3 is a rear view thereof;

FIG. 4 is a bottom view thereof;

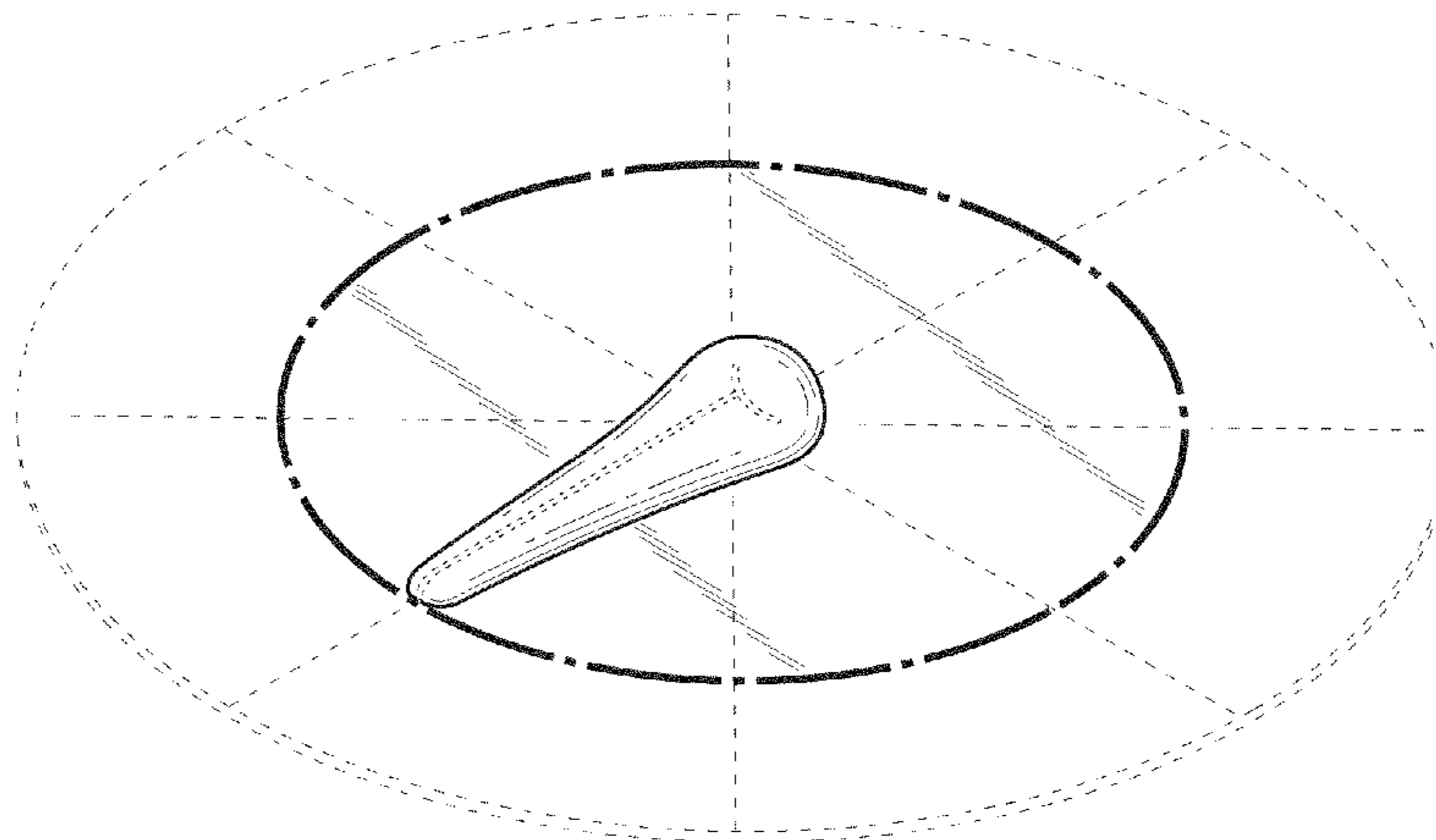
FIG. 5 is a top view thereof;

FIG. 6 is a right side view thereof; and,

FIG. 7 is a left side view thereof.

The features shown in broken lines depict environmental or other associated subject matter and form no part of the claimed design. The bolded dot-dash lines indicate boundaries of the claim, and all other broken lines indicate other unclaimed portions of the design.

1 Claim, 3 Drawing Sheets



US D624,586 S

Page 2

U.S. PATENT DOCUMENTS

4,054,242 A 10/1977 Strobe
4,309,839 A 1/1982 White et al.
4,341,035 A 7/1982 Jaworski et al.
4,597,206 A 7/1986 Benson
D325,747 S 4/1992 Green
D331,575 S 12/1992 Pike
D405,116 S 2/1999 Anderson, II
5,871,237 A 2/1999 Hunt
6,146,721 A 11/2000 Freynet
D553,675 S * 10/2007 Hogg D19/9
D559,905 S * 1/2008 Halbur et al. D19/9
D560,715 S * 1/2008 Hogg et al. D19/9
7,314,179 B1 1/2008 Halbur et al.
D570,910 S * 6/2008 Parker et al. D19/9
D575,332 S * 8/2008 Parker et al. D19/9
D598,493 S * 8/2009 Flynn D19/9
7,591,418 B2 9/2009 Halbur et al.
D613,334 S * 4/2010 Halbur et al. D19/9
D615,585 S * 5/2010 Skinner et al. D19/10
D616,020 S * 5/2010 Hoppus et al. D19/9
D616,021 S * 5/2010 Halbur D19/9
2002/0096873 A1 7/2002 Scheinblum
2004/0249748 A1 12/2004 Schultz et al.
2005/0061889 A1 3/2005 McGee et al.

2007/0155281 A1 7/2007 Chang
2009/0152366 A1 6/2009 Anderson, II et al.
2009/0166437 A1 7/2009 Reynolds et al.

OTHER PUBLICATIONS

Toys "R" US, Colorforms Games Silly Faces, <http://www.amazon.com>, printed on May 23, 2006 (6 pages).
Swensons, "The gift that's always in good taste," <http://www.swensonsdriveins.com/gifts.htm>, available at least as early as Apr. 6, 2001 per the Internet archive available at www.archive.org (1 page).
Photographs of a gift card on a supporting member as publicly offered for sale in Macy's stores at least as early as Dec. 1, 2007 (1 page).
U.S. Appl. No. 12/488,321, filed Jun. 19, 2009, entitled, "Transaction Card With Oscillating Member," 37 pages.
U.S. Appl. No. 12/610,300, filed Oct. 31, 2009, entitled, "Transaction Product With Foldable Sheet," 42 pages.
U.S. Appl. No. 29/318,903, filed May 30, 2008, entitled, "Financial Transaction Card Portion," 6 pages.
U.S. Appl. No. 29/329,710, filed Dec. 19, 2008, entitled, "Transaction Card," 7 pages.
GiftCard with Rotating Spinner Offered for Sale at Target retail stores at least one year prior to Dec. 24, 2009 (1 page).

* cited by examiner

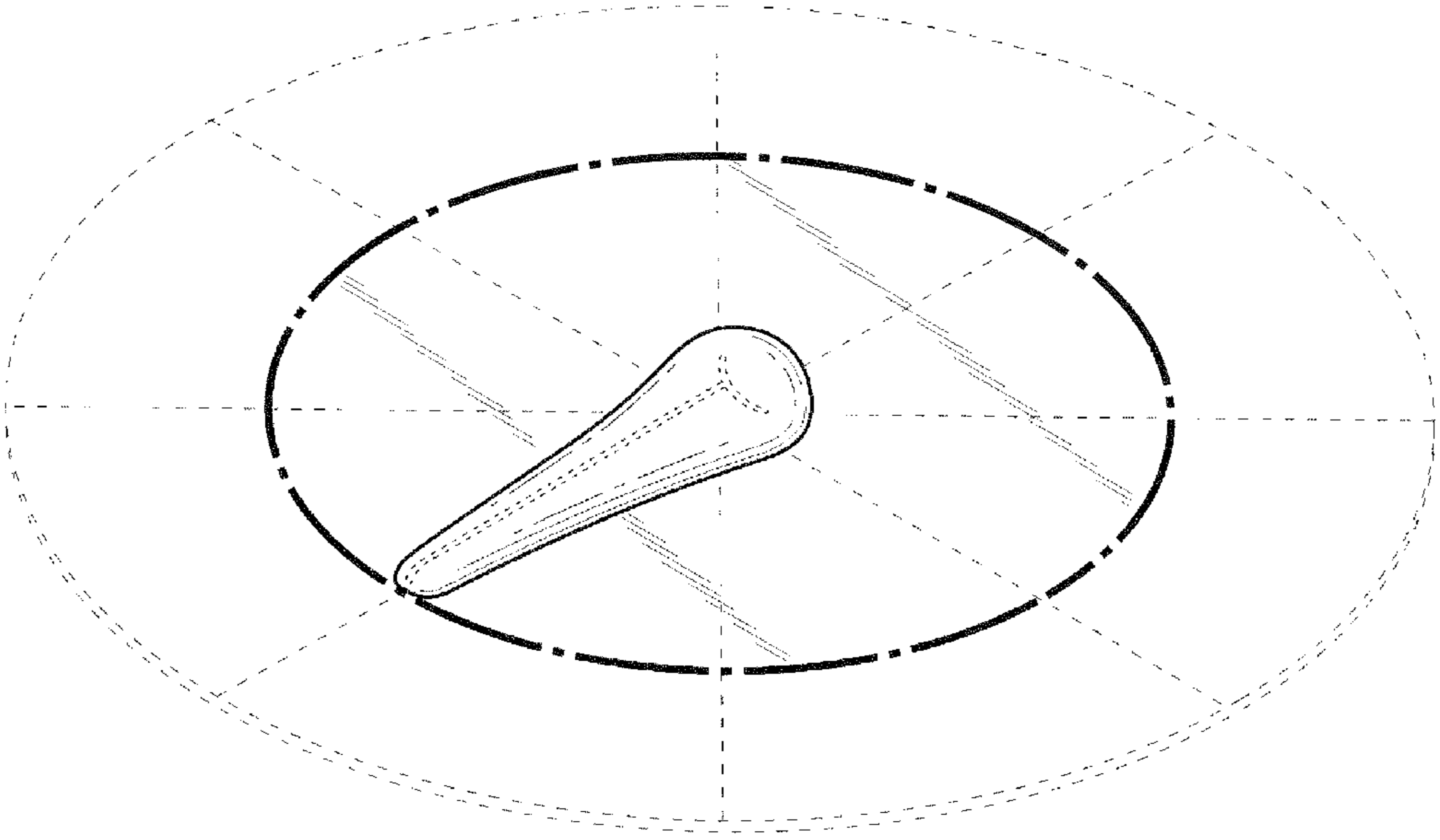


Fig. 1

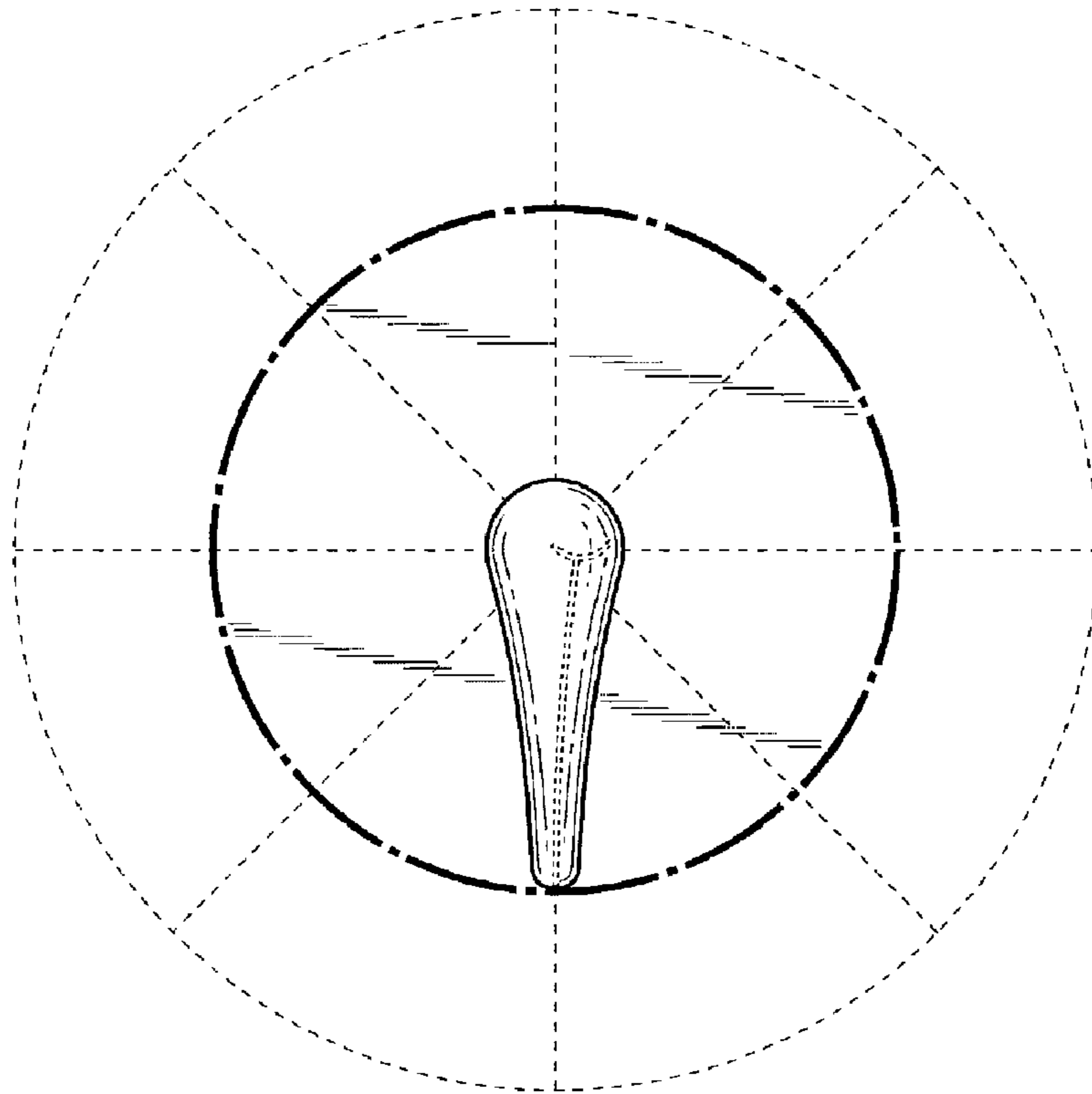


Fig. 2

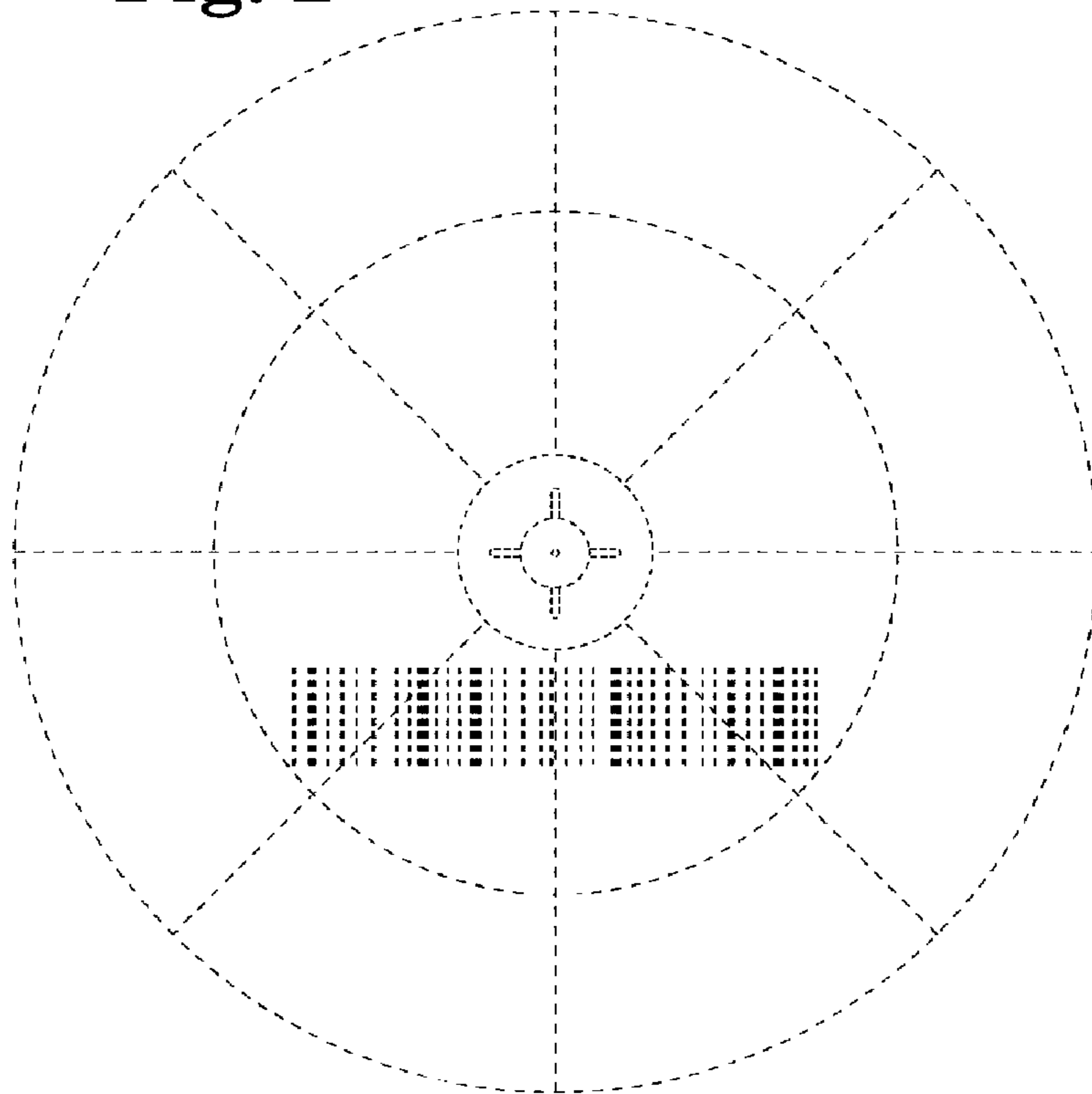


Fig. 3



Fig. 4



Fig. 5



Fig. 6



Fig. 7