



US00D624583S

(12) **United States Design Patent**  
**Lee et al.**

(10) **Patent No.:** **US D624,583 S**  
(45) **Date of Patent:** **\*\* Sep. 28, 2010**

(54) **DEVELOPING DEVICE FOR A COLOR PRINTER**

(75) Inventors: **Seung-Gweon Lee**, Kyunggi-do (KR);  
**Ji-Won Moon**, Kyunggi-do (KR);  
**Jin-Hyung Lee**, Seoul (KR); **Jong-Hwa Joo**, Seoul (KR)

(73) Assignee: **Samsung Electronics Co., Ltd.**, Suwon, Kyunggi-Do (KR)

(\*\*) Term: **14 Years**

(21) Appl. No.: **29/313,190**

(22) Filed: **Dec. 12, 2008**

(30) **Foreign Application Priority Data**

Nov. 28, 2008 (KR) ..... 30-2008-0051384

(51) **LOC (9) Cl.** ..... **16-03**

(52) **U.S. Cl.** ..... **D18/43**

(58) **Field of Classification Search** ..... D14/471;  
D18/12, 36, 40, 43, 44, 56; 222/DIG. 1;  
347/197, 222; 399/24-28, 107-112, 119,  
399/121, 122, 222-224

See application file for complete search history.

(56) **References Cited**

**U.S. PATENT DOCUMENTS**

D378,830 S	4/1997	Kim	
D474,232 S *	5/2003	Kawai et al. ....	D18/40
D474,497 S *	5/2003	Kawai et al. ....	D18/40
D528,591 S *	9/2006	Hashimoto et al. ....	D18/43
D538,850 S	3/2007	Choi et al.	
D539,335 S	3/2007	Jeon et al.	
D544,528 S	6/2007	Kim	
D546,382 S	7/2007	Noh et al.	
D547,368 S	7/2007	Han	
D551,286 S	9/2007	Han	
D555,193 S	11/2007	Choi	
D555,718 S *	11/2007	Miyabe et al. ....	D18/43
D559,902 S	1/2008	Park et al.	
D570,403 S	6/2008	Park et al.	

D577,061 S	9/2008	Kim	
D580,485 S	11/2008	Park et al.	
D581,975 S	12/2008	Park et al.	
D582,473 S	12/2008	Park et al.	
D583,862 S	12/2008	Park et al.	
D584,343 S	1/2009	Kwon	
D584,345 S	1/2009	Choi et al.	
D584,765 S	1/2009	Park et al.	
D588,191 S *	3/2009	Baek et al. ....	D18/43
2003/0156848 A1 *	8/2003	Kawai et al. ....	399/27
2007/0077091 A1 *	4/2007	Kang et al. ....	399/167
2007/0086806 A1 *	4/2007	Burchette et al. ....	399/109

(Continued)

**OTHER PUBLICATIONS**

U.S. Appl. No. 29/270,051, Applicant: Jong-Hyun Park, filed Dec. 13, 2006 entitled Toner Cartridge.

(Continued)

*Primary Examiner*—Garth Rademaker  
(74) *Attorney, Agent, or Firm*—Flynn, Thiel, Boutell & Tanis, P.C.

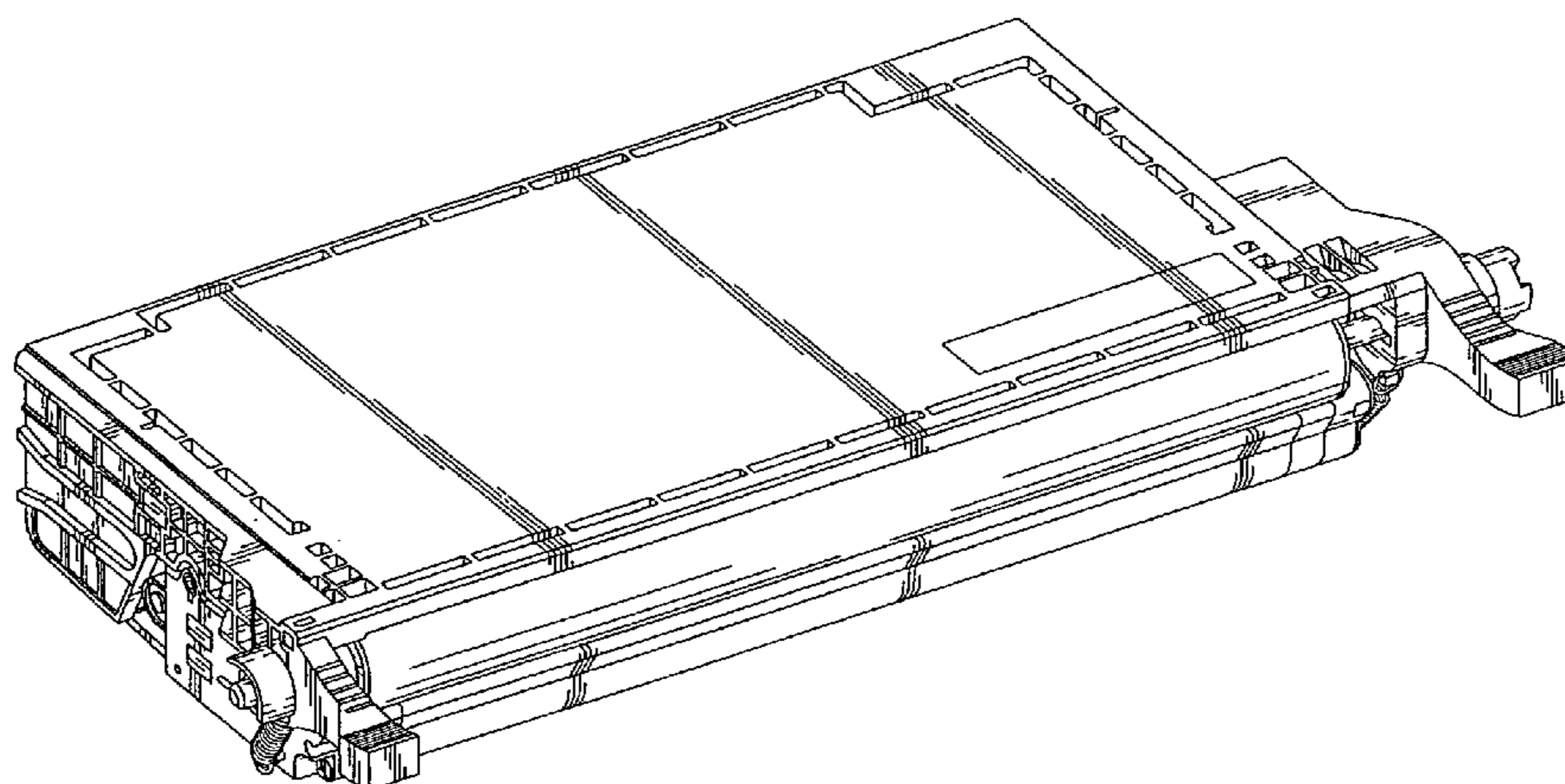
(57) **CLAIM**

The ornamental design for a developing device for a color printer, as shown and described.

**DESCRIPTION**

FIG. 1 is a top front perspective view of a developing device for a color printer showing our new design;  
FIG. 2 is a front elevational view thereof;  
FIG. 3 is a rear elevational view thereof;  
FIG. 4 is a left side elevational view thereof;  
FIG. 5 is a right side elevational view thereof;  
FIG. 6 is a top plan view thereof; and,  
FIG. 7 is a bottom plan view thereof.  
The broken lines depict environmental subject matter only and form no part of the claimed design.

**1 Claim, 4 Drawing Sheets**



U.S. PATENT DOCUMENTS

2009/0208244 A1\* 8/2009 Ohanyan ..... 399/109

OTHER PUBLICATIONS

U.S. Appl. No. 29/291,994, Applicant: Min-Su Han, filed Sep. 25, 2007 entitled Development Device for Laser Printer.

U.S. Appl. No. 29/294,096, Applicant: Myoung-Su Baek, et al., filed Dec. 21, 2007 entitled Cartridge for Image Developing Device.

U.S. Appl. No. 29/308,015, Applicant: Joo-Hwan Noh, et al., filed May 22, 2008 entitled Developing Device for Printer.

U.S. Appl. No. 29/308,009, Applicant: Sung-Joo Kim, filed May 22, 2008 entitled Toner Cartridge.

U.S. Appl. No. 29/308,008, Applicant: Jong-Hwa Park, filed May 22, 2008 entitled Toner Cartridge.

U.S. Appl. No. 29/308,024, Applicant: In-Cheol Jeon, et al., filed May 22, 2008 entitled Developing Device for Color Laser Printer.

U.S. Appl. No. 29/308,014, Applicant: Dae-Ho Kim, filed May 22, 2008 entitled Developing Device for Color Laser Printer.

\* cited by examiner

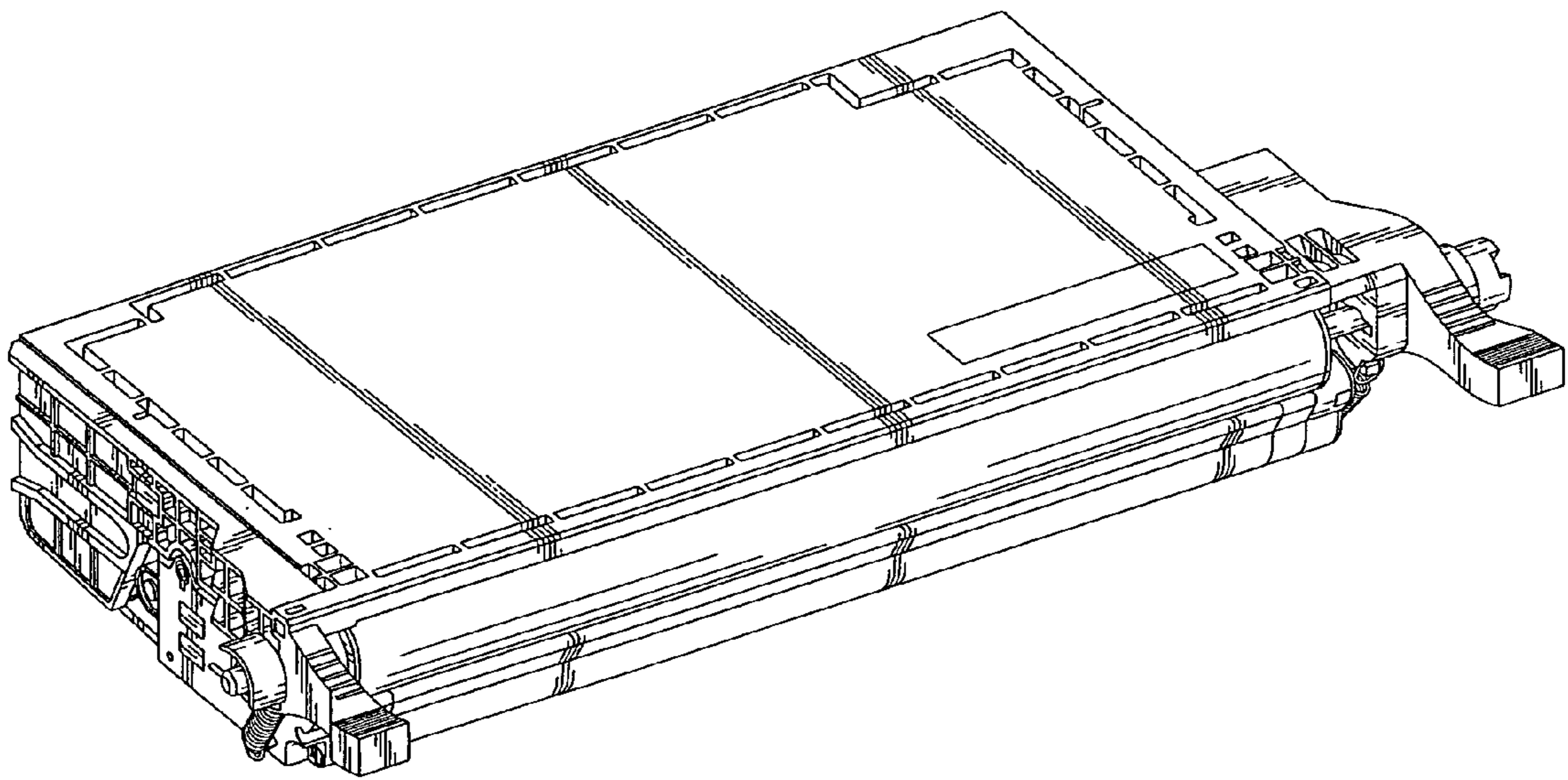


FIG. 1

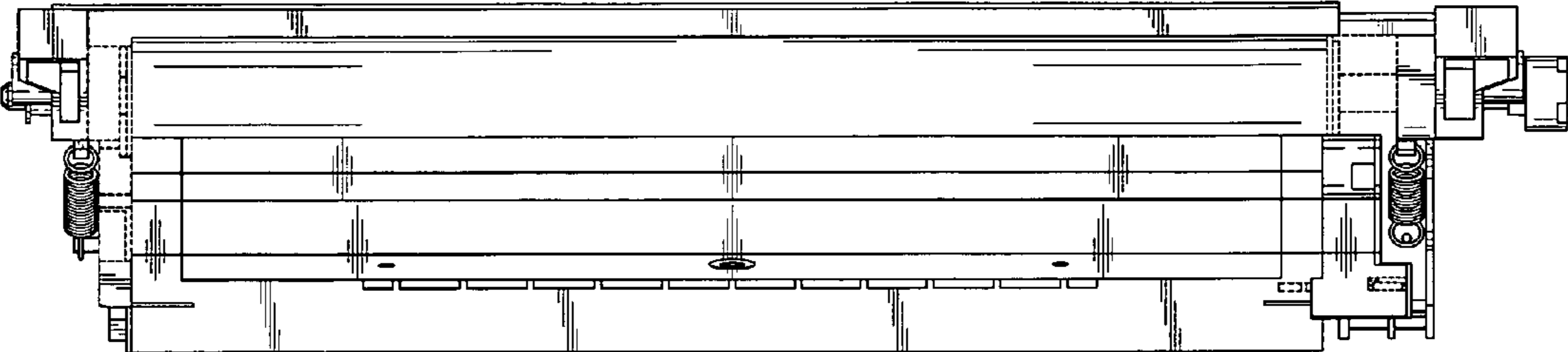


FIG. 2

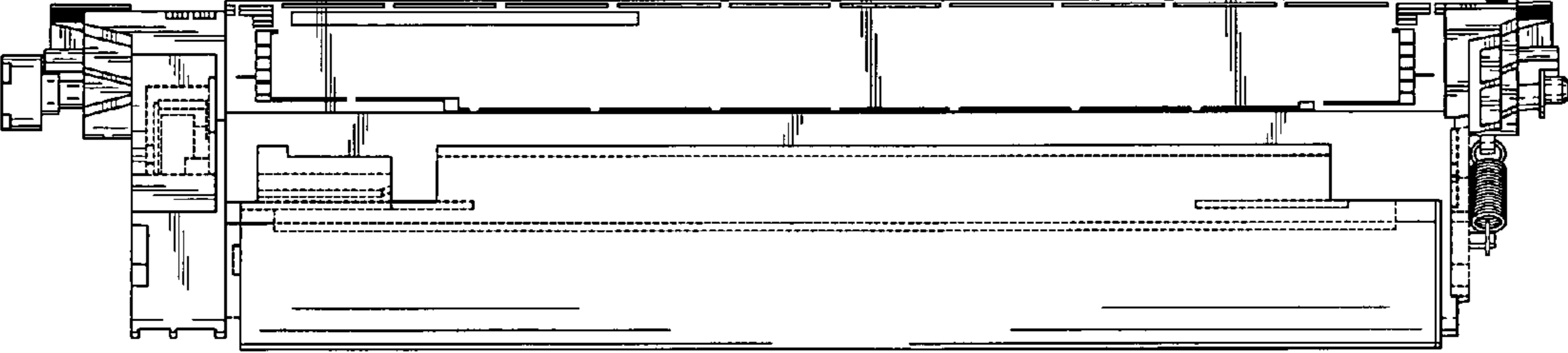


FIG. 3

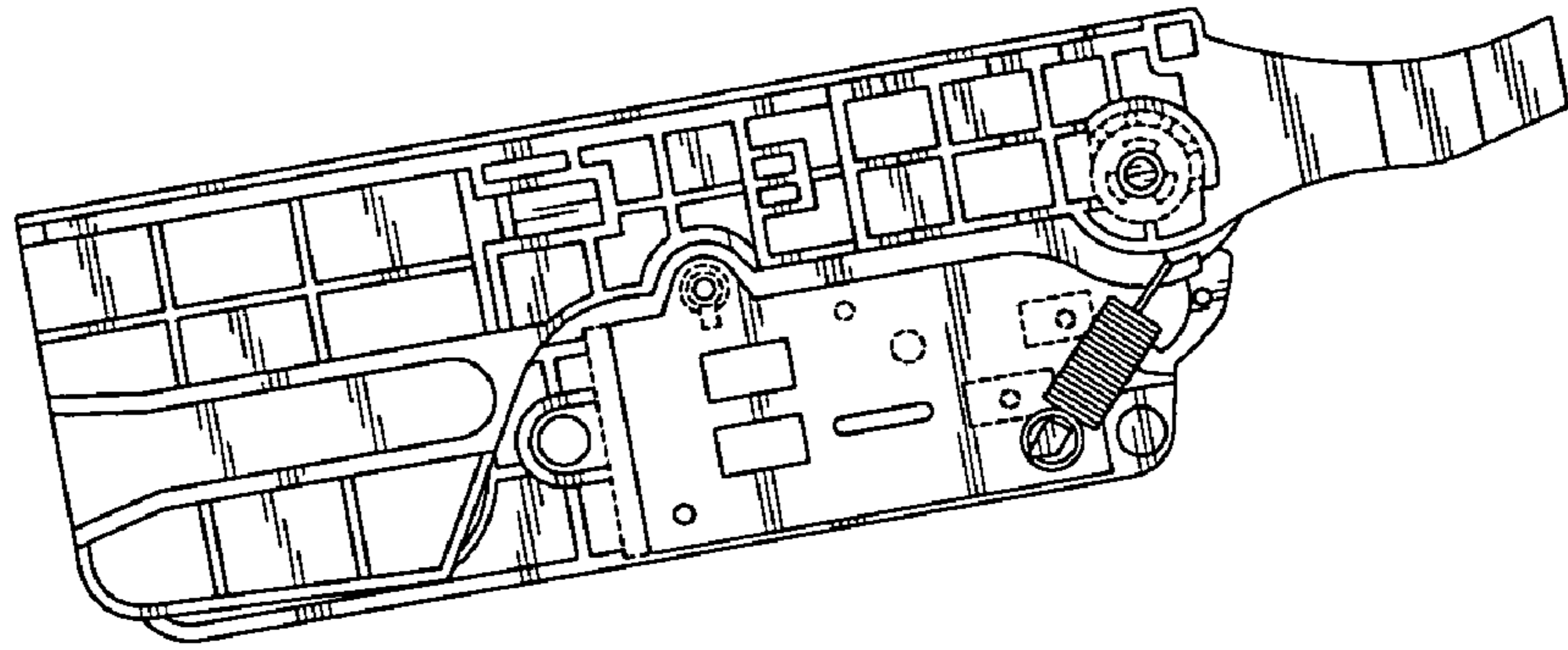


FIG. 4

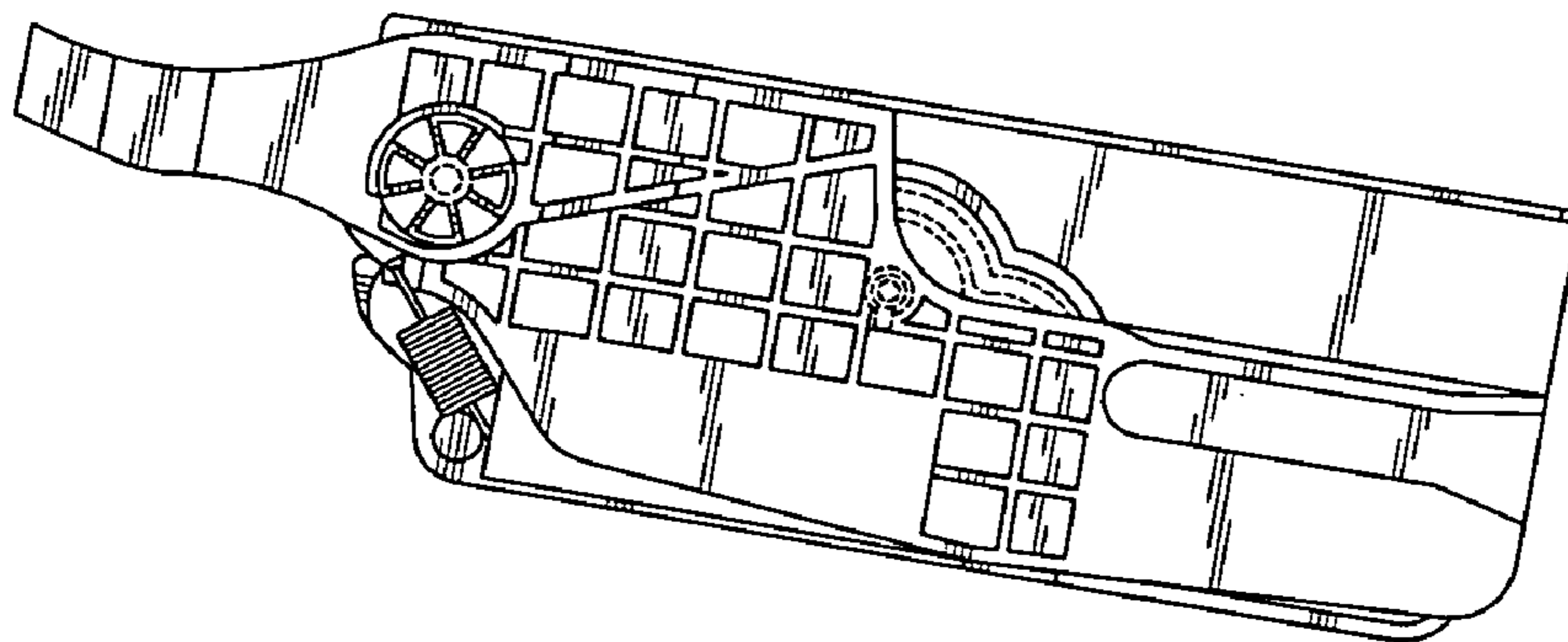


FIG. 5

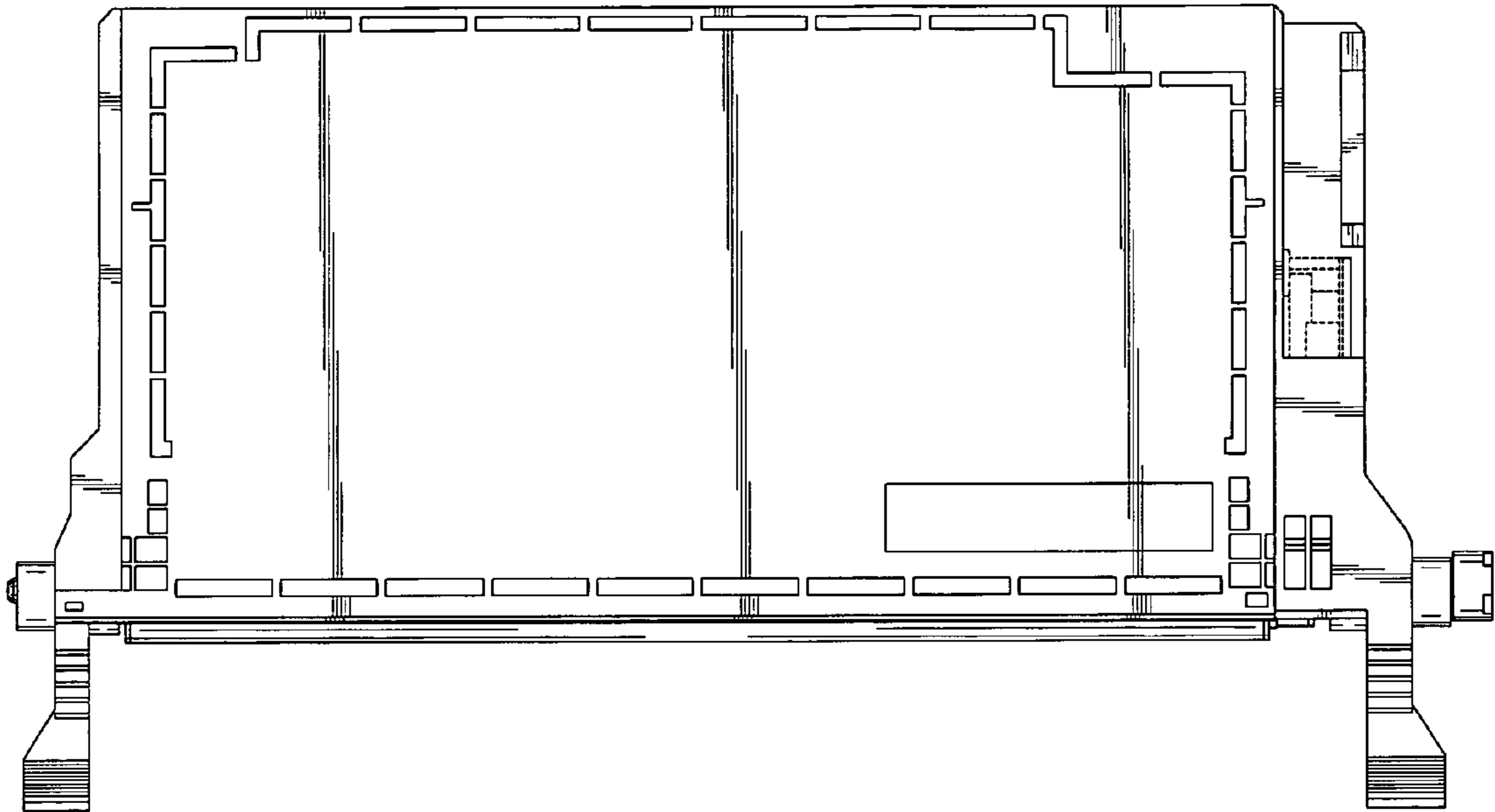


FIG. 6

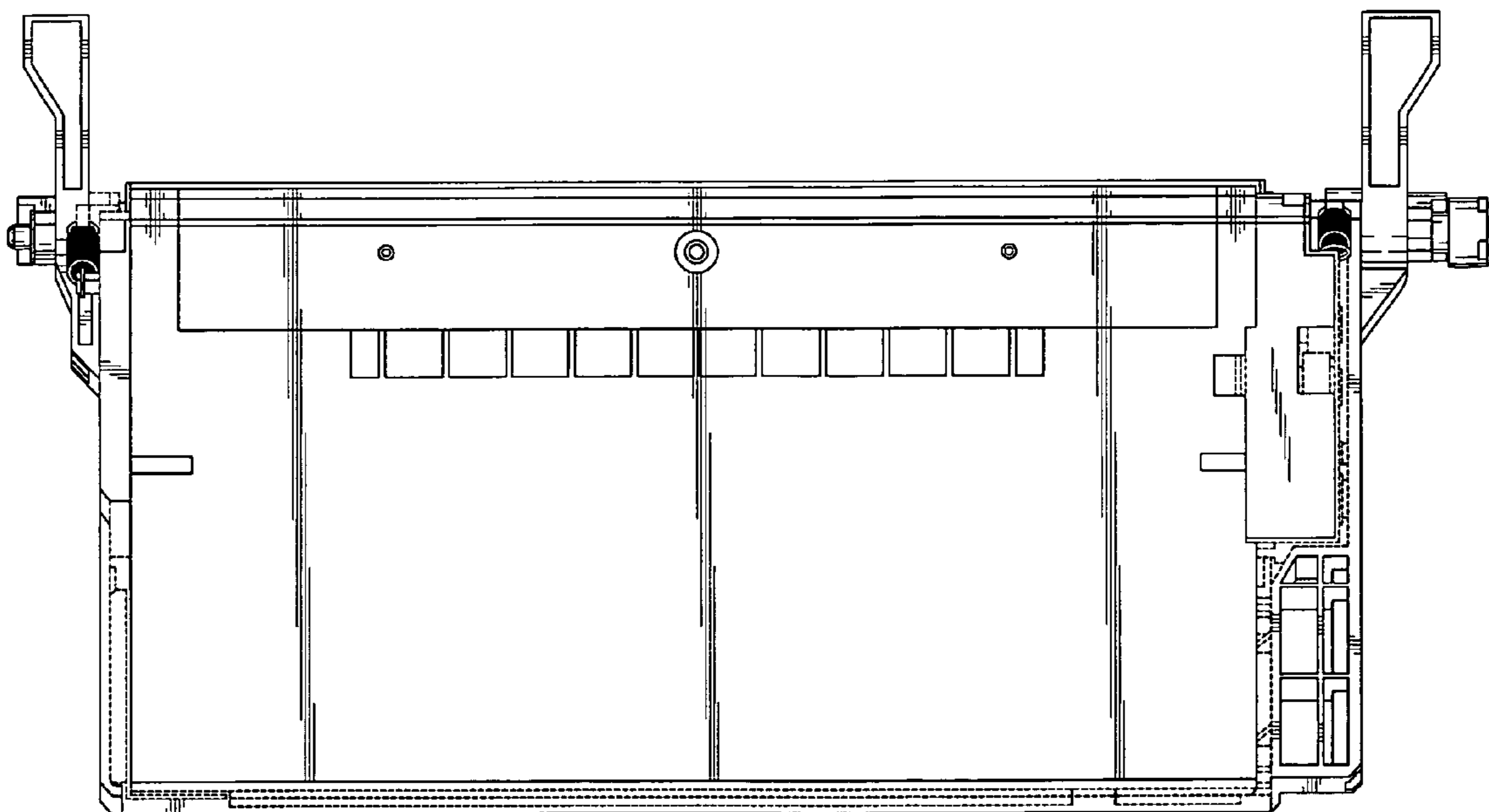


FIG. 7