



US00D624578S

(12) **United States Design Patent**
Smith

(10) **Patent No.:** **US D624,578 S**

(45) **Date of Patent:** **** Sep. 28, 2010**

(54) **UNIVERSAL PROJECTOR MOUNT**

(75) Inventor: **Paul Smith**, Savage, MN (US)

(73) Assignee: **Milestone AV Technologies LLC**,
Savage, MN (US)

(**) Term: **14 Years**

(21) Appl. No.: **29/335,375**

(22) Filed: **Apr. 14, 2009**

(51) **LOC (9) Cl.** **16-02**

(52) **U.S. Cl.** **D16/235; D16/242**

(58) **Field of Classification Search** D16/235,
D16/242, 244-245; D8/349, 354-355; 248/176.3,
248/221.11, 519, 523, 187.1, 121, 278.1,
248/317, 344, 149; 352/243, 428
See application file for complete search history.

(56) **References Cited**

U.S. PATENT DOCUMENTS

| | | | | | |
|-----------|-----|---------|-------------------|-------|---------|
| 837,388 | A * | 12/1906 | Curial | | 248/149 |
| 4,118,002 | A * | 10/1978 | Bartlett | | 248/149 |
| 5,938,161 | A | 8/1999 | Takeuchi et al. | | |
| 6,042,068 | A | 3/2000 | Tcherny | | |
| D504,305 | S | 4/2005 | Gillespie et al. | | |
| D513,470 | S | 1/2006 | Gillespie et al. | | |
| D540,367 | S | 4/2007 | Dittmer | | |
| D546,366 | S | 7/2007 | Dittmer | | |
| D560,669 | S | 1/2008 | Muday et al. | | |
| 7,497,412 | B2 | 3/2009 | Dittmer et al. | | |
| 7,503,536 | B2 | 3/2009 | Friederich et al. | | |
| D597,582 | S * | 8/2009 | Anderson et al. | | D16/235 |
| D602,514 | S * | 10/2009 | Dittmer | | D16/235 |

OTHER PUBLICATIONS

U.S. Appl. No. 12/483,905, filed Jun. 12, 2009, Dittmer.
File History for U.S. Appl. No. 12/483,905, filed Jun. 12, 2009, 5 Pgs.

File History for U.S. Appl. No. 29/319,672, filed Jun. 12, 2008, 69 Pgs.

Chief Full Line Catalog dated Apr. 2007, 28 Pgs.

* cited by examiner

Primary Examiner—Ian Simmons

Assistant Examiner—Wan Laymon

(74) *Attorney, Agent, or Firm*—Patterson Thuent
Christensen Pedersen, P.A.

(57) **CLAIM**

The ornamental design for a universal projector mount, as shown and described.

DESCRIPTION

FIG. 1 is a front perspective view of a universal projector mount according to the invention;

FIG. 2 is a front elevation view of the universal projector mount depicted in FIG. 1;

FIG. 3 is a rear elevation view of the universal projector mount depicted in FIG. 1;

FIG. 4 is a side elevation view of the universal projector mount depicted in FIG. 1;

FIG. 5 is an opposing side elevation view of the universal projector mount depicted in FIG. 1;

FIG. 6 is a top plan view of the universal projector mount depicted in FIG. 1; and,

FIG. 7 is a bottom plan view of the universal projector mount depicted in FIG. 1.

The broken line showing portion of the universal projector mount is included for illustrating environmental structure and forms no part of the claimed design.

1 Claim, 5 Drawing Sheets

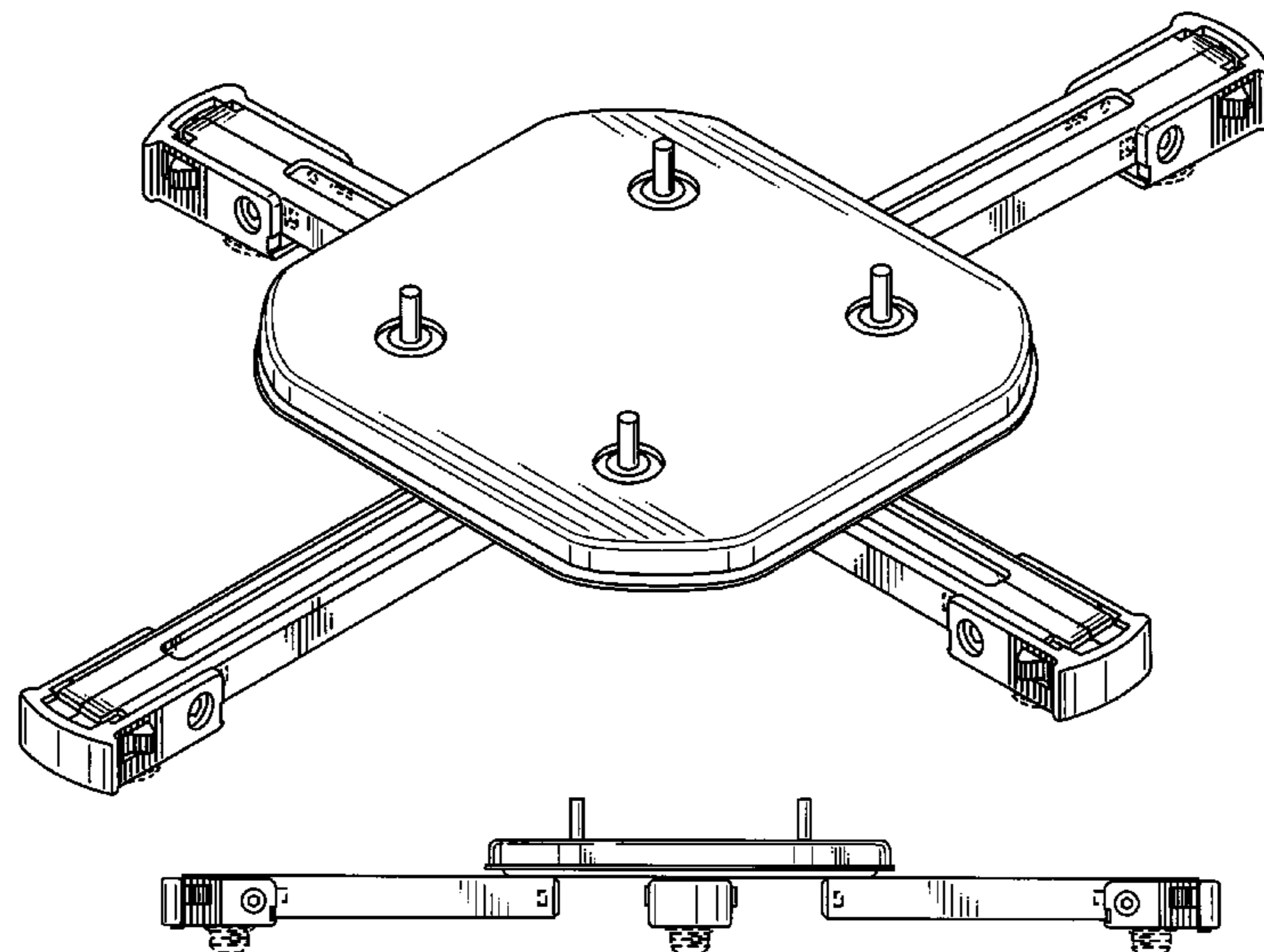


Fig. 1

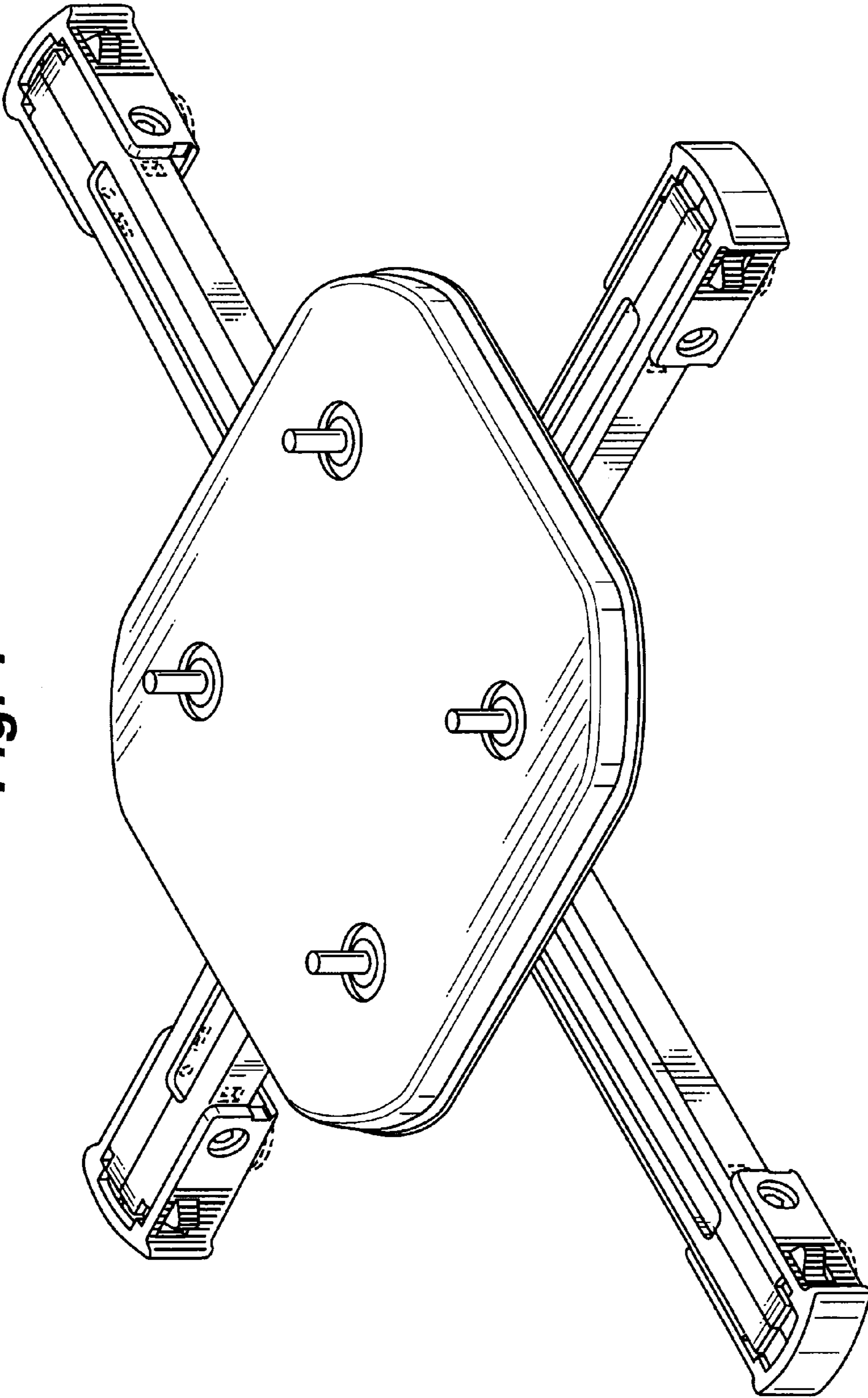


Fig. 2

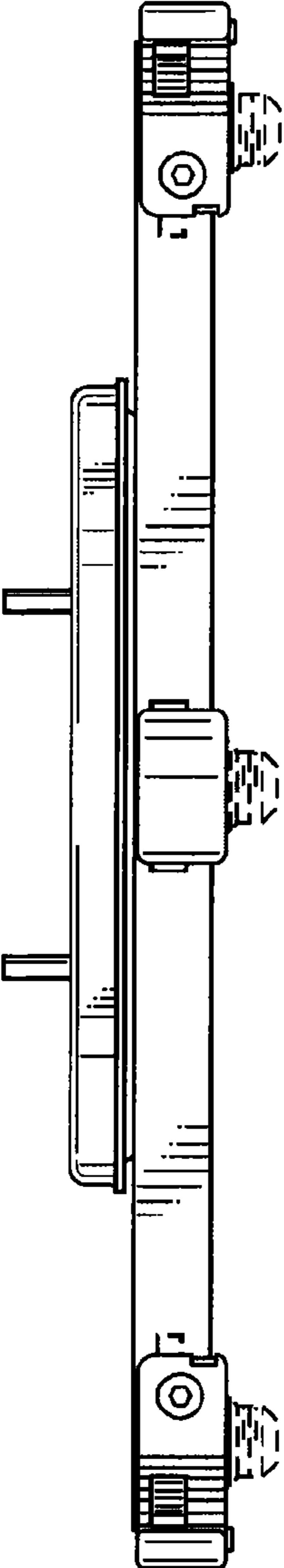


Fig. 3

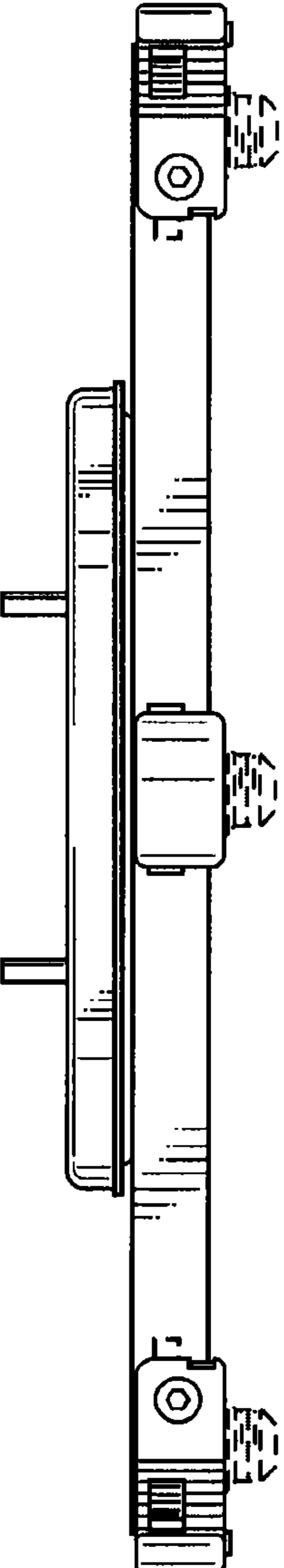


Fig. 4

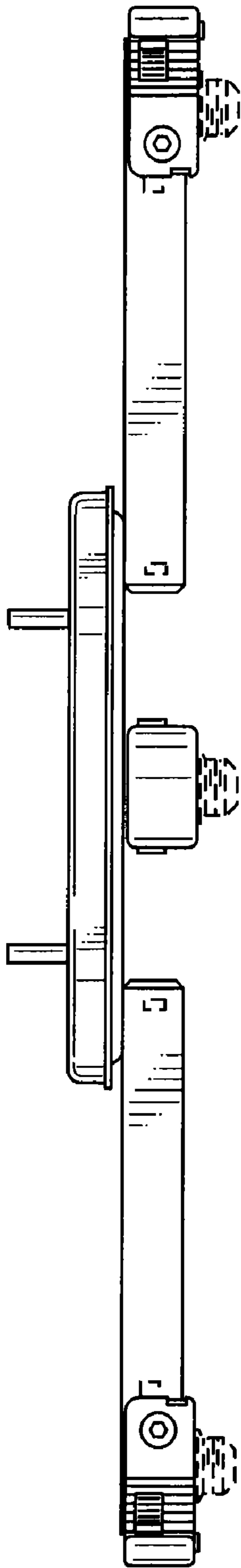
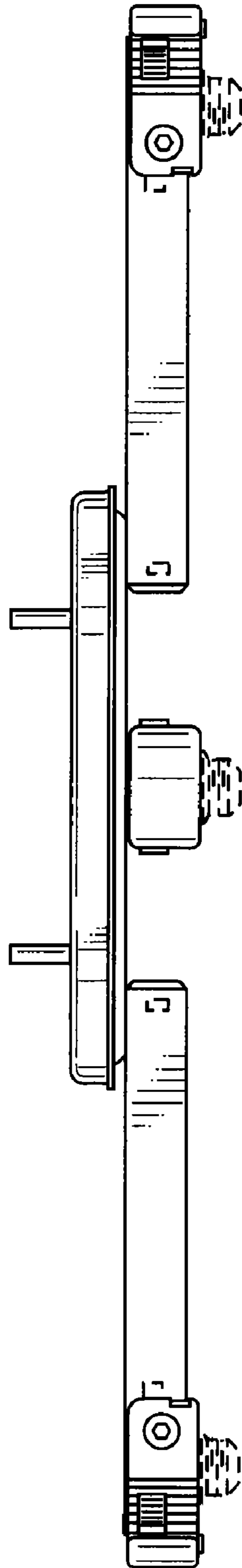


Fig. 5



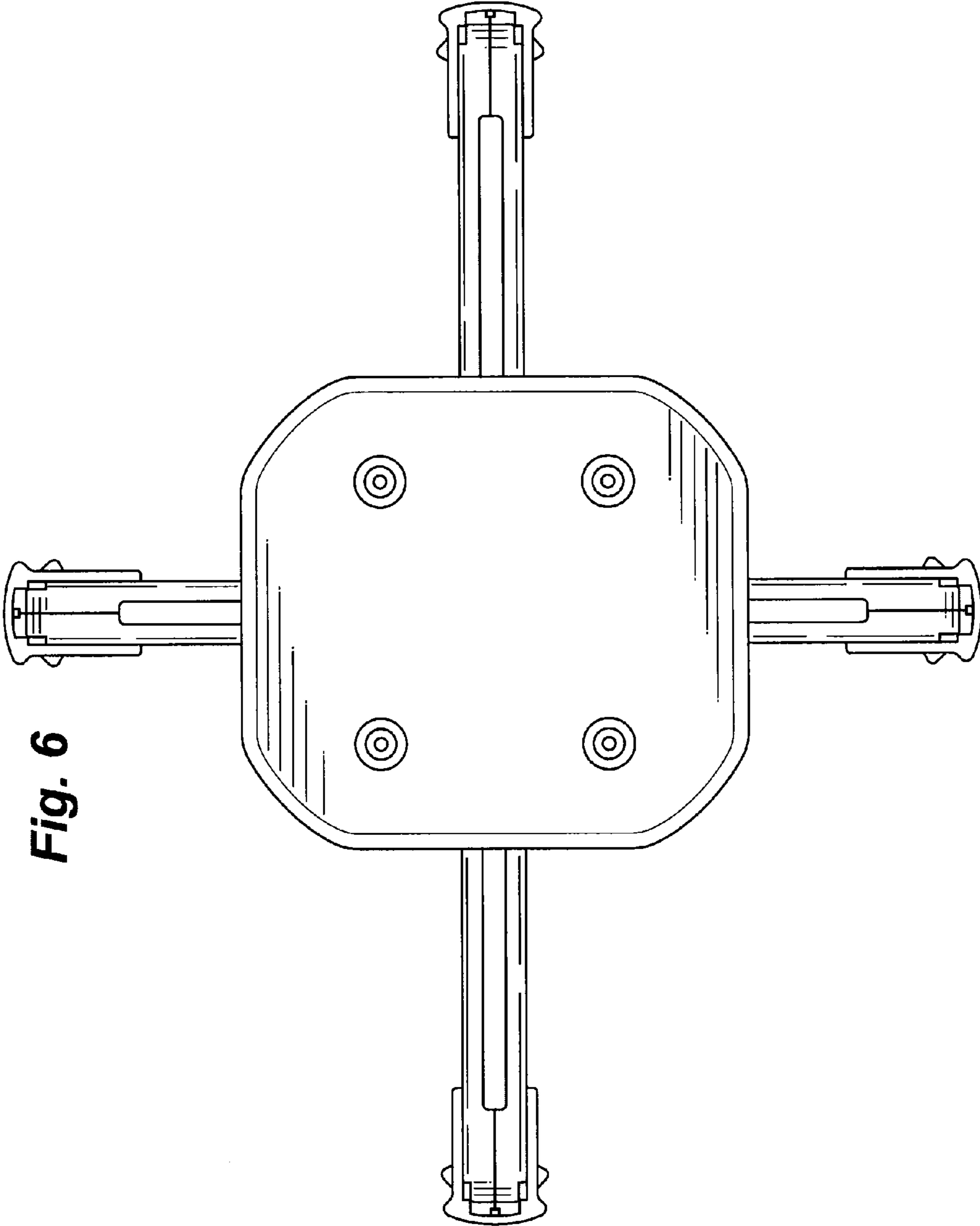


Fig. 6

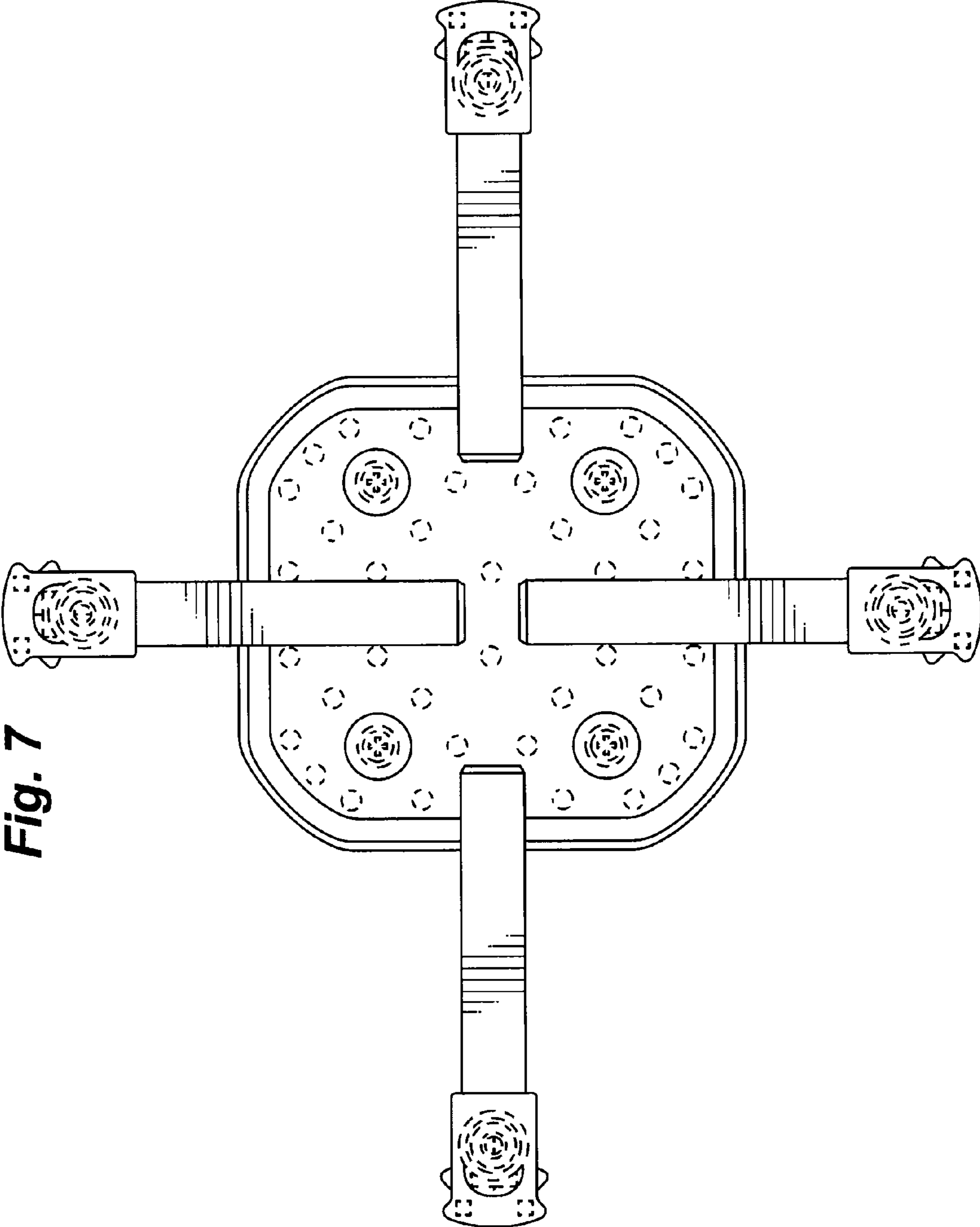


Fig. 7