



US00D624577S

(12) **United States Design Patent**  
**Kujawski et al.**

(10) **Patent No.:** **US D624,577 S**

(45) **Date of Patent:** **\*\* Sep. 28, 2010**

(54) **ELECTRONIC CAMERA**

(75) Inventors: **Christopher Kujawski**, Seattle, WA (US); **Scott Harold Wilson**, Chicago, IL (US); **Dennis Matthew Puhalla**, Chicago, IL (US); **Dustin R. Brown**, Chicago, IL (US)

(73) Assignee: **Microsoft Corporation**, Redmond, WA (US)

(\*\*) Term: **14 Years**

(21) Appl. No.: **29/342,094**

(22) Filed: **Aug. 18, 2009**

(51) **LOC (9) Cl.** ..... **16-01**

(52) **U.S. Cl.** ..... **D16/203**

(58) **Field of Classification Search** ..... D16/200–205,  
D16/208, 218, 242; 348/143, 373–376; 396/427,  
396/535–541

See application file for complete search history.

(56) **References Cited**

**U.S. PATENT DOCUMENTS**

D258,444 S *	3/1981	Mineshima	.....	D16/218
D378,095 S *	2/1997	Hasegawa	.....	D16/203
D430,888 S *	9/2000	Adachi et al.	.....	D16/203
6,124,892 A *	9/2000	Nakano	.....	348/373
D510,374 S *	10/2005	Greenwood et al.	.....	D16/203
D528,576 S *	9/2006	Chung et al.	.....	D16/202
D547,346 S *	7/2007	Ollila	.....	D16/203
D586,836 S *	2/2009	Liow et al.	.....	D16/218
7,522,834 B2 *	4/2009	Heaven et al.	.....	396/535
D592,231 S *	5/2009	Schnell	.....	D16/202
2007/0109441 A1 *	5/2007	Cheng	.....	348/373

**OTHER PUBLICATIONS**

Apple iSight webcam, 1 sheet, date unknown but prior to the filing of this application.

\* cited by examiner

*Primary Examiner*—Adir Aronovich  
(74) *Attorney, Agent, or Firm*—Banner & Witcoff, Ltd.

(57) **CLAIM**

The ornamental design for an electronic camera, as shown and described.

**DESCRIPTION**

FIG. 1 is a front and left side perspective view of an electronic camera showing our new design;

FIG. 2 is a front view thereof;

FIG. 3 is a rear view thereof;

FIG. 4 is a left side view thereof;

FIG. 5 is a right side view thereof;

FIG. 6 is a top view thereof;

FIG. 7 is a bottom view thereof;

FIG. 8 is a front and left side perspective view of a second embodiment of the electronic camera shown without disclaimed features and in a different illustrative style;

FIG. 9 is a front view thereof;

FIG. 10 is a rear view thereof;

FIG. 11 is a left side view thereof;

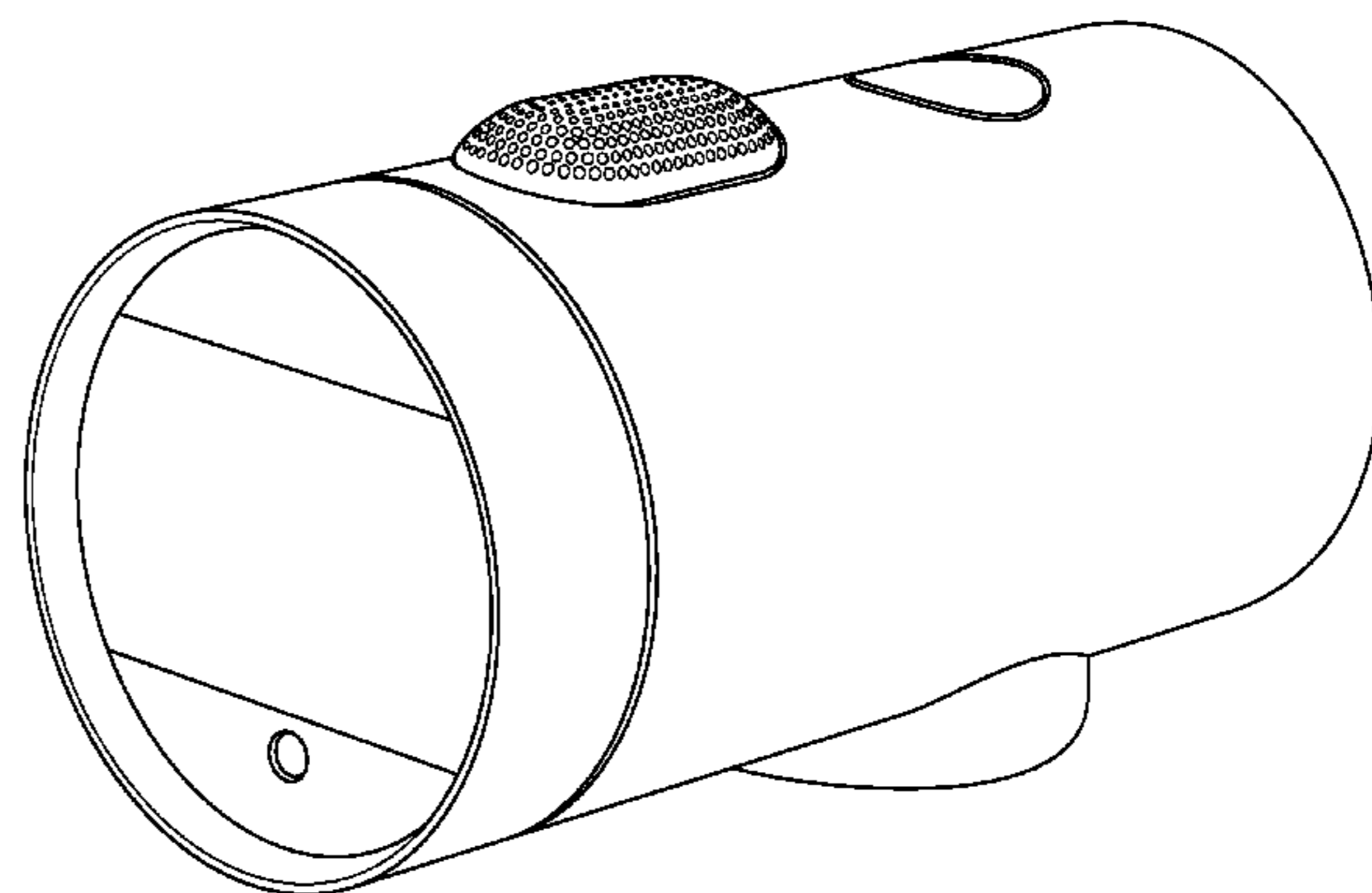
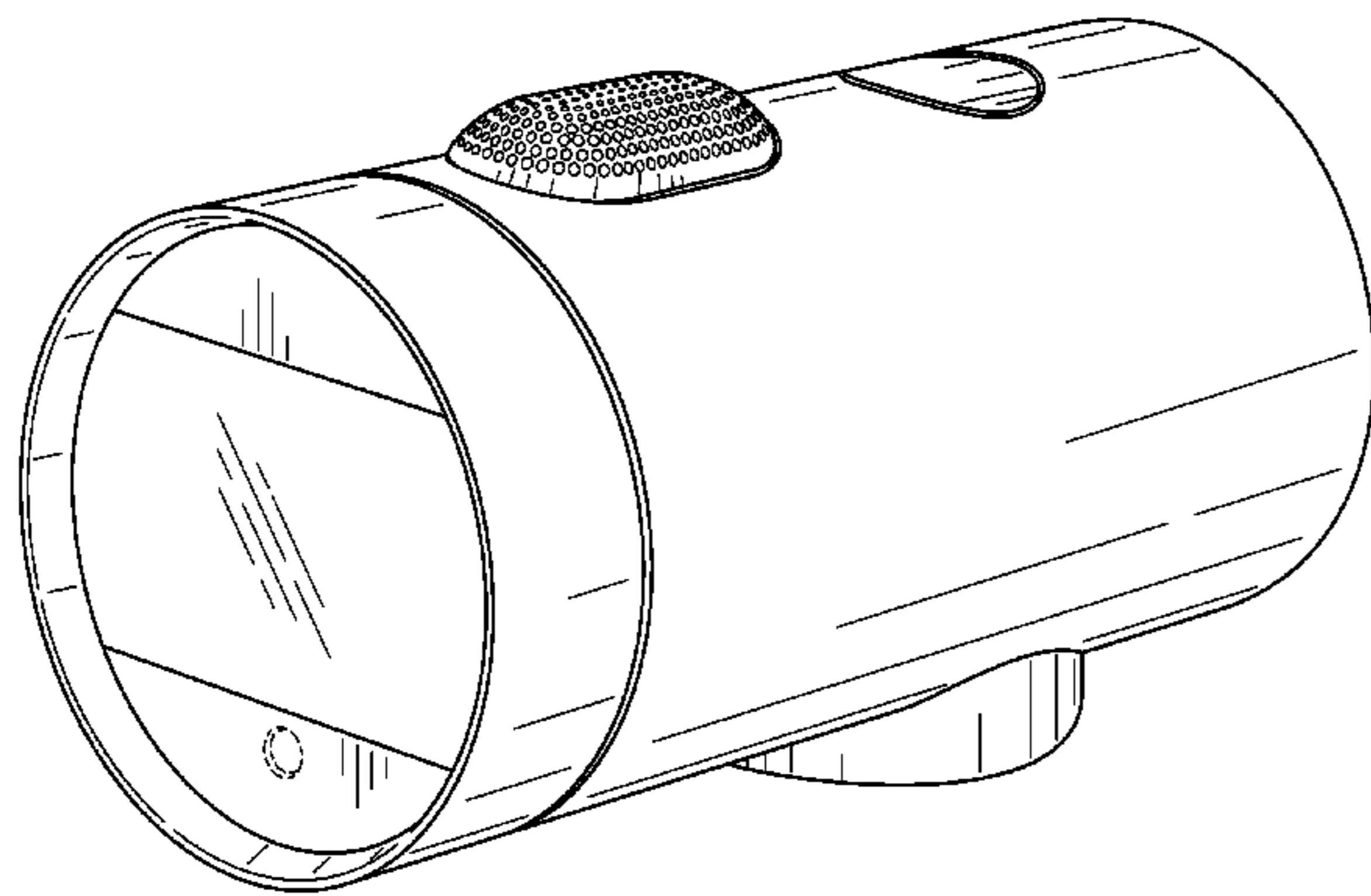
FIG. 12 is a right side view thereof;

FIG. 13 is a top view thereof; and,

FIG. 14 is a bottom view thereof.

The broken line showings in FIGS. 1-7 are for environmental purposes only and form no part of the claimed design.

**1 Claim, 8 Drawing Sheets**



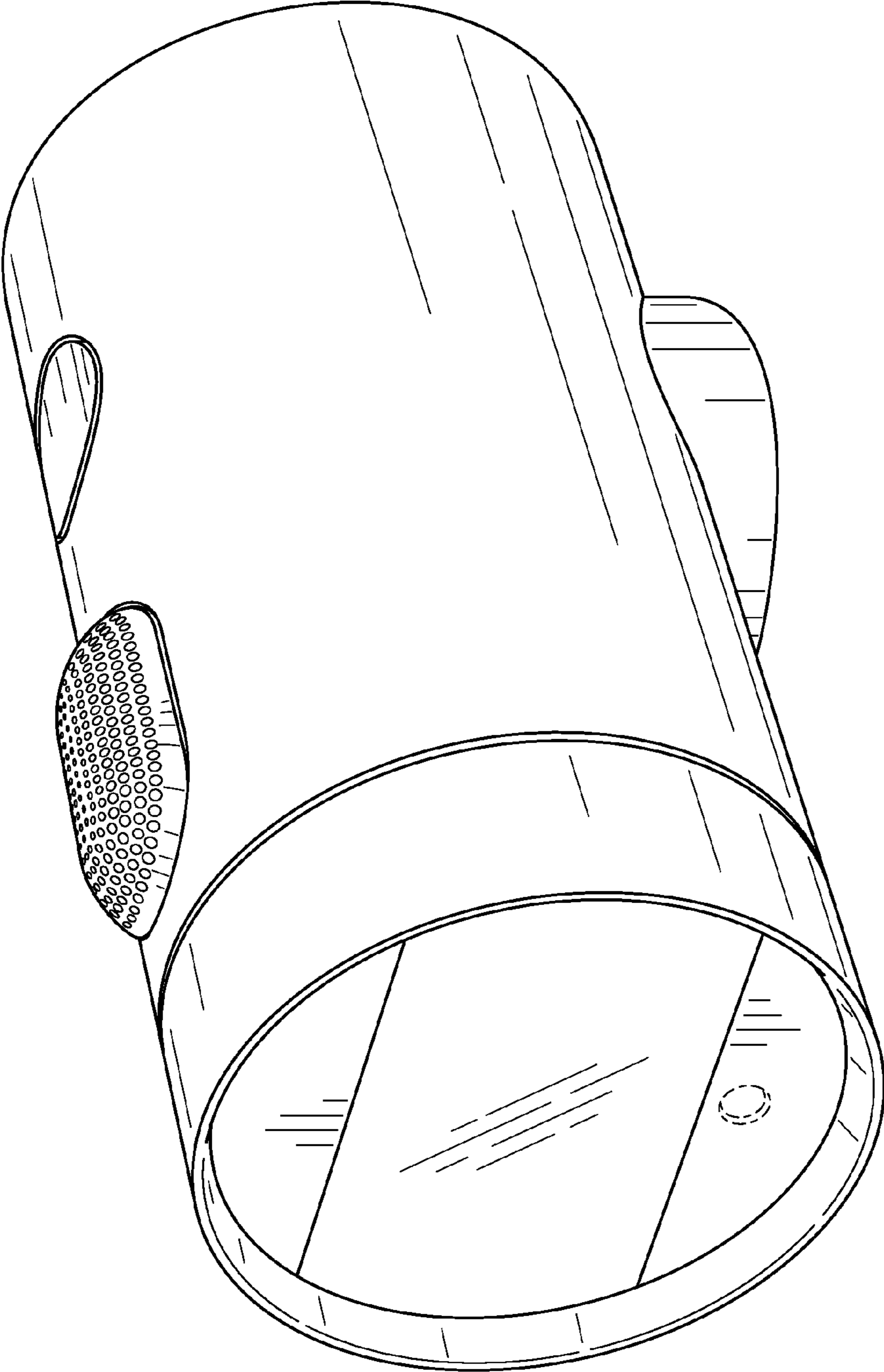


FIG. 1

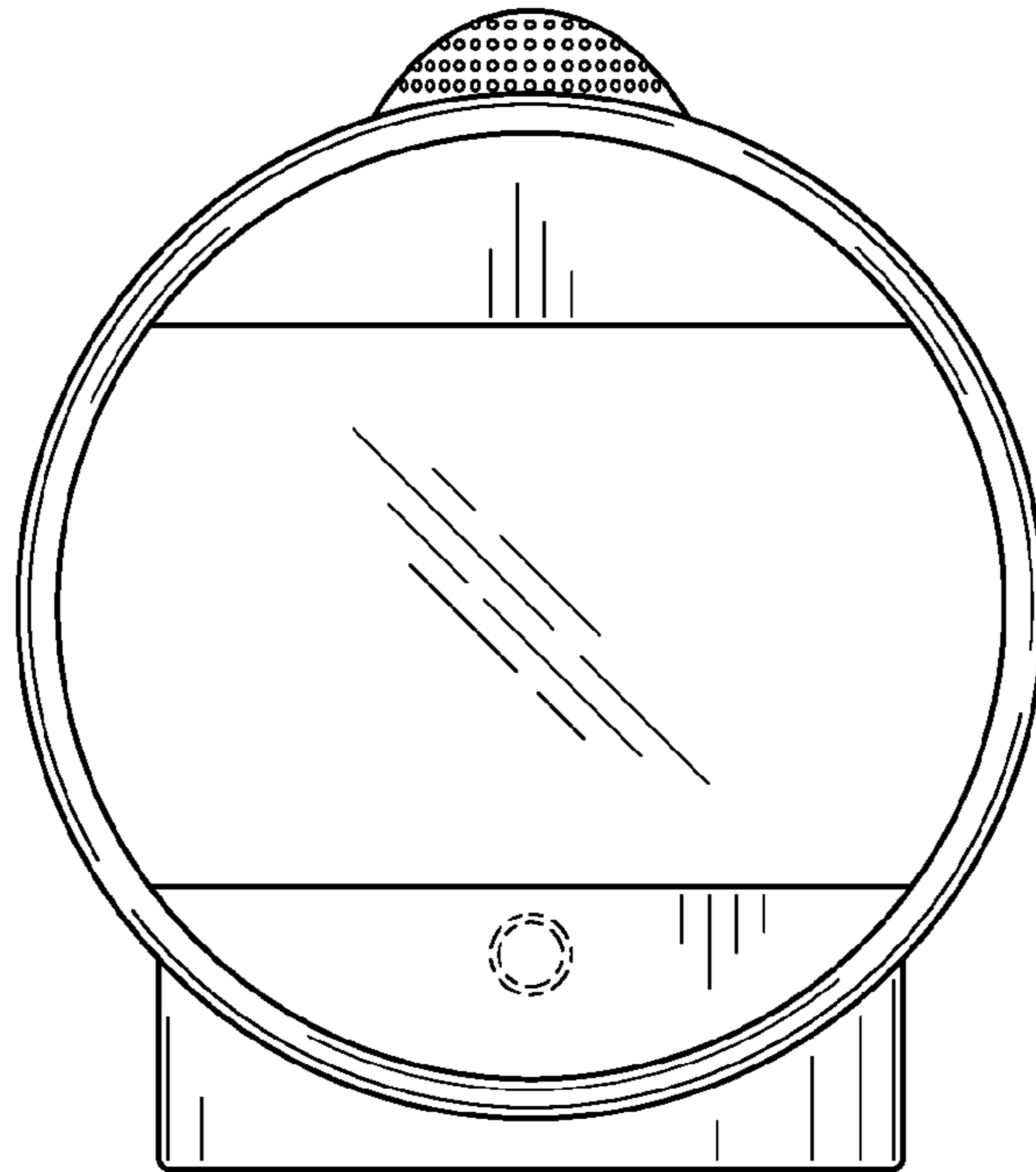


FIG. 2

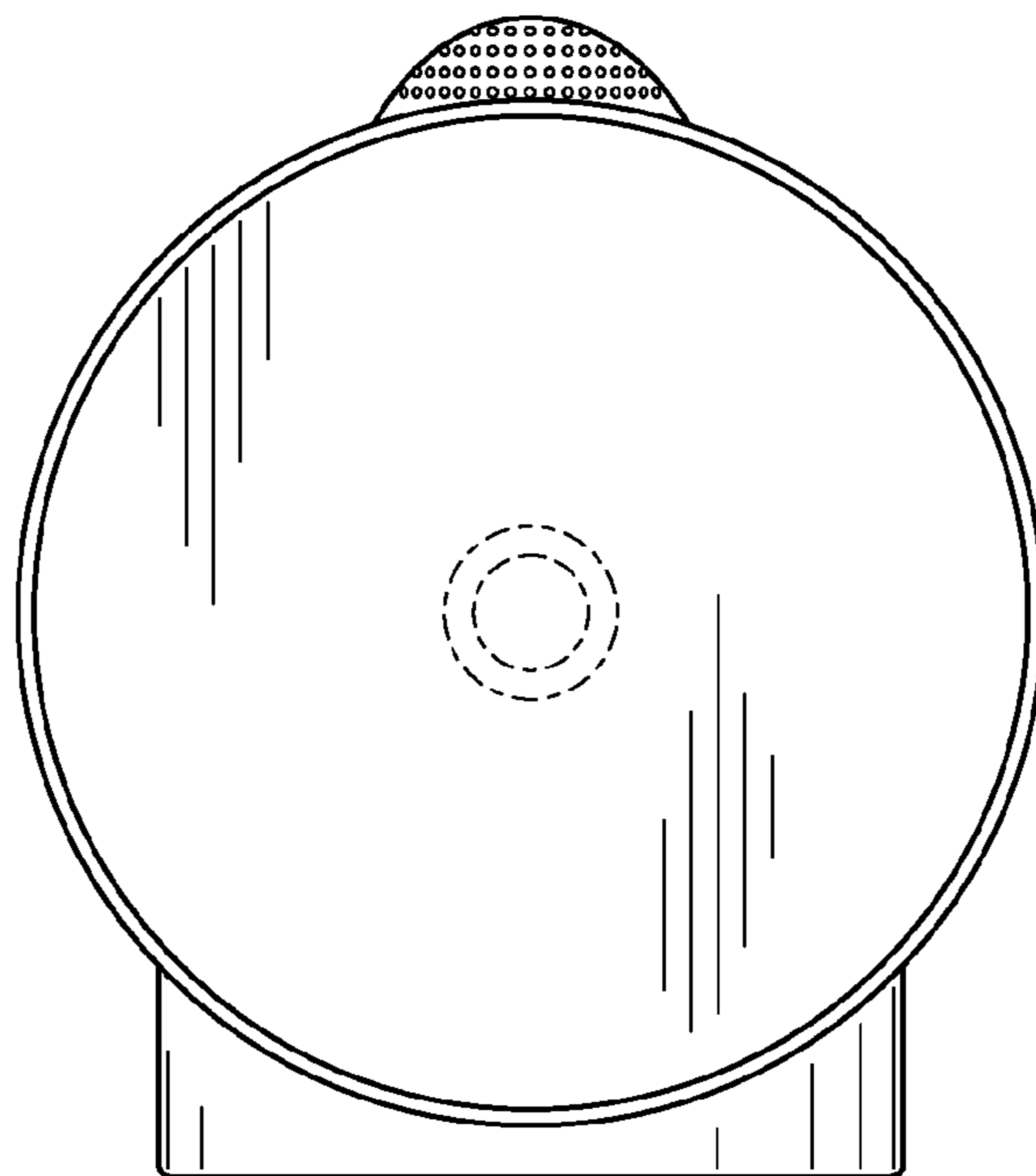


FIG. 3

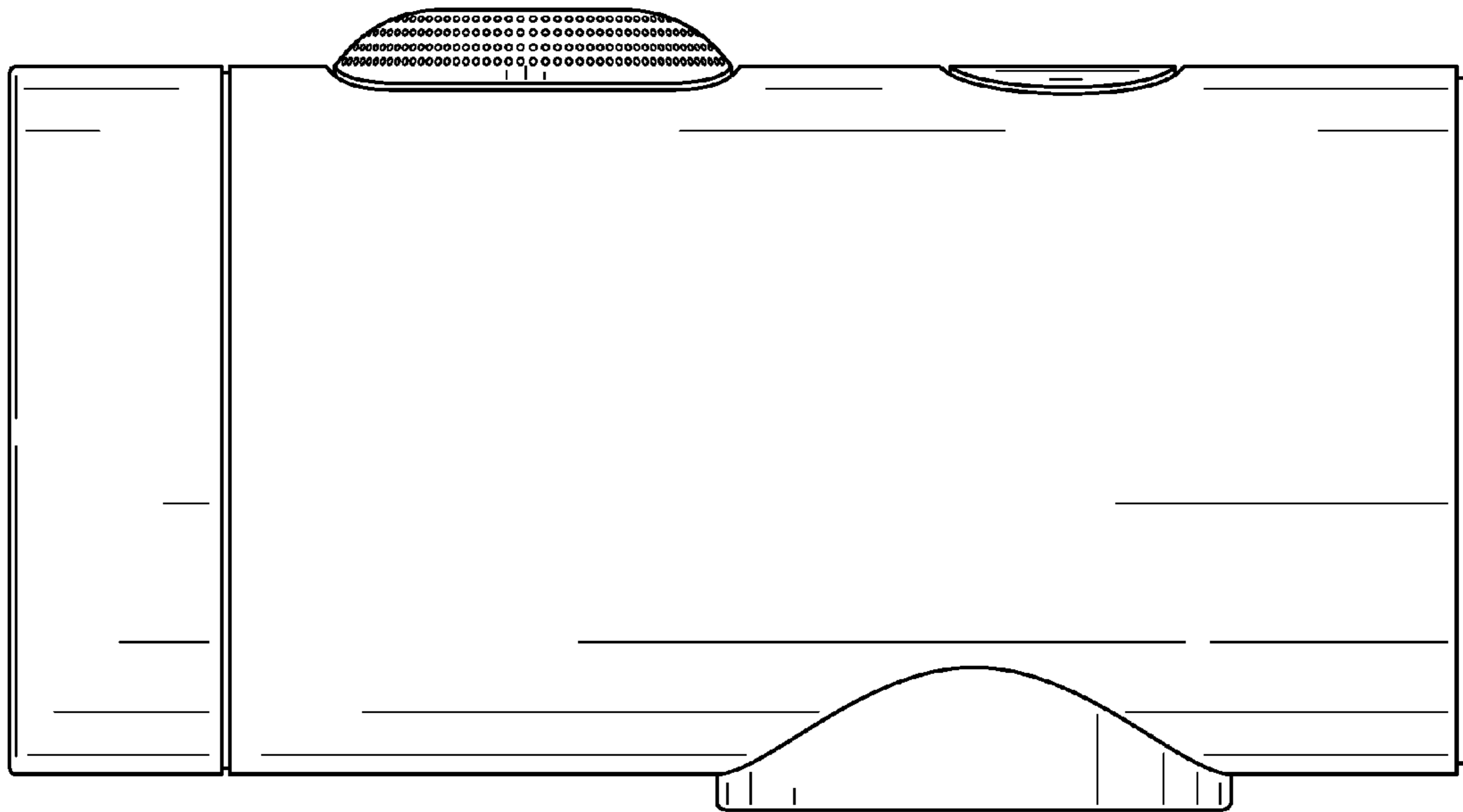


FIG. 4

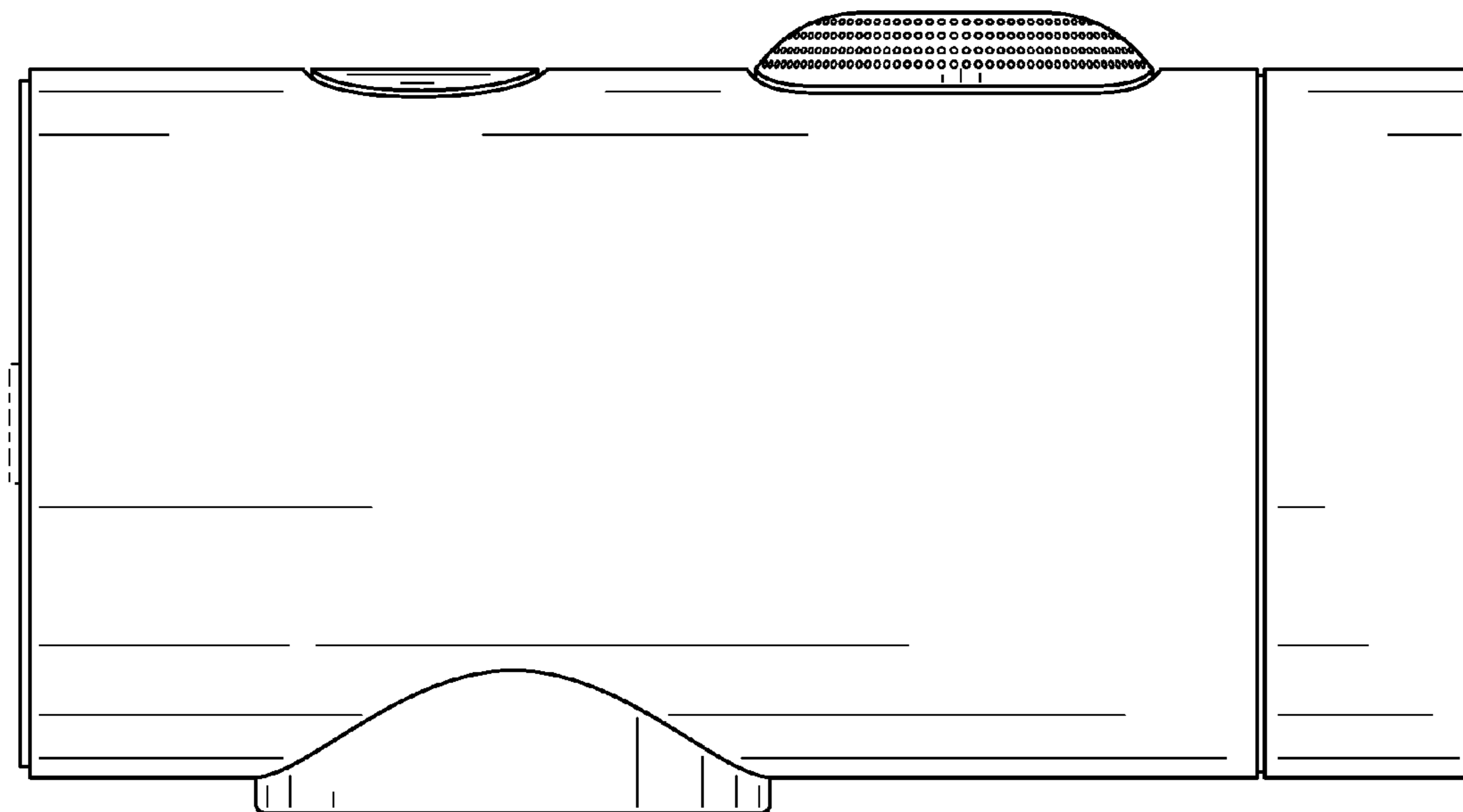


FIG. 5

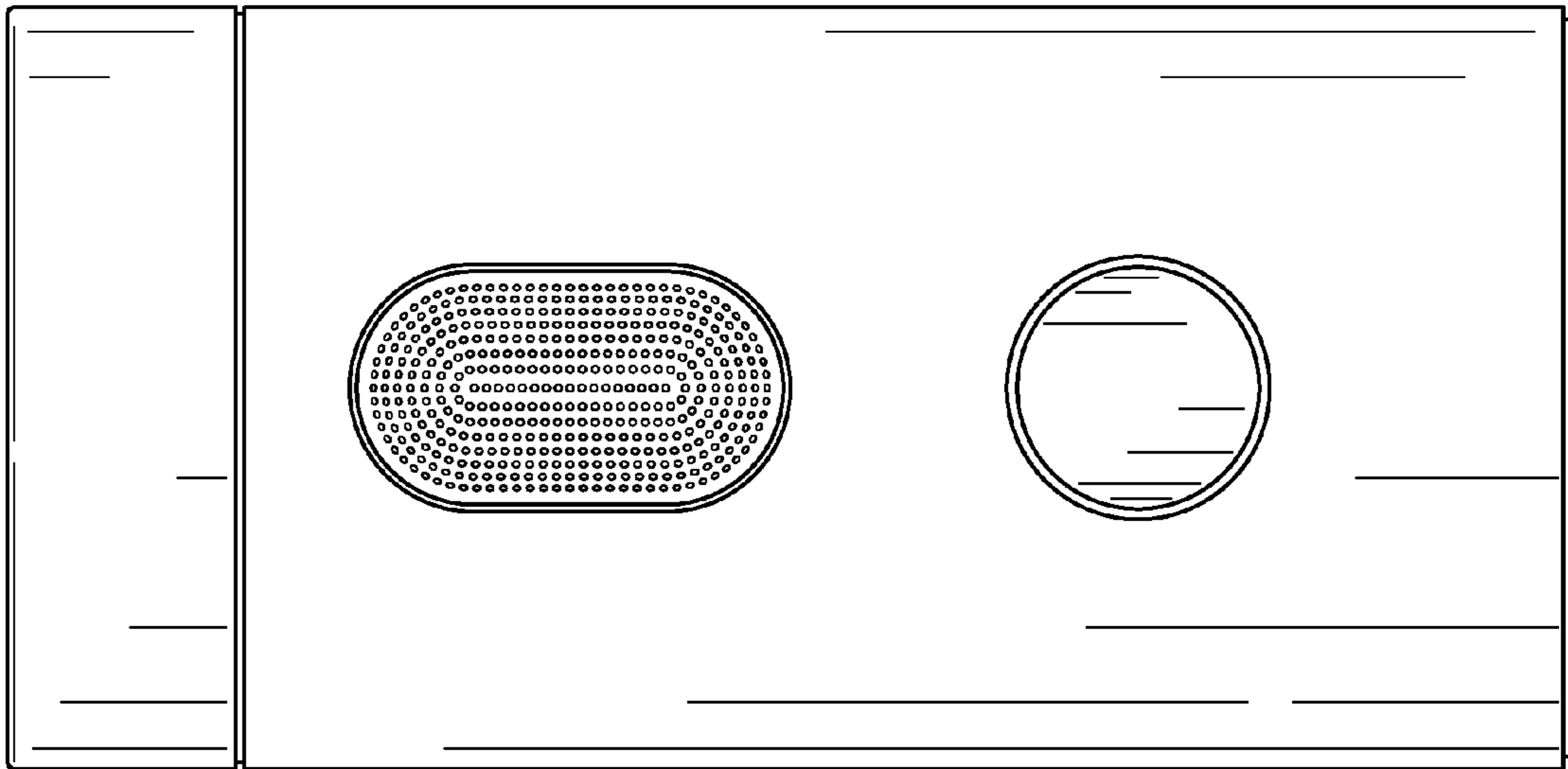


FIG. 6

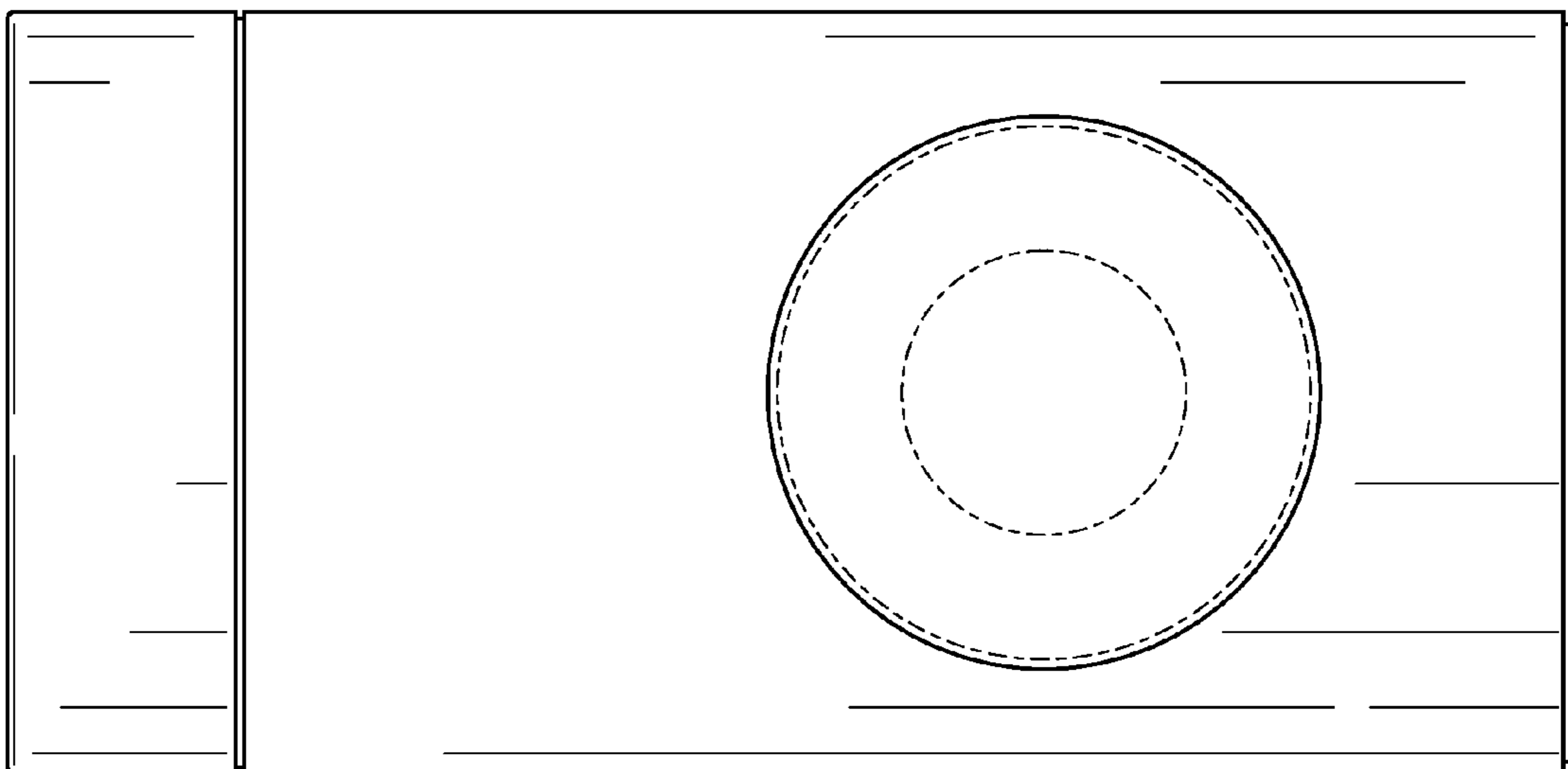


FIG. 7

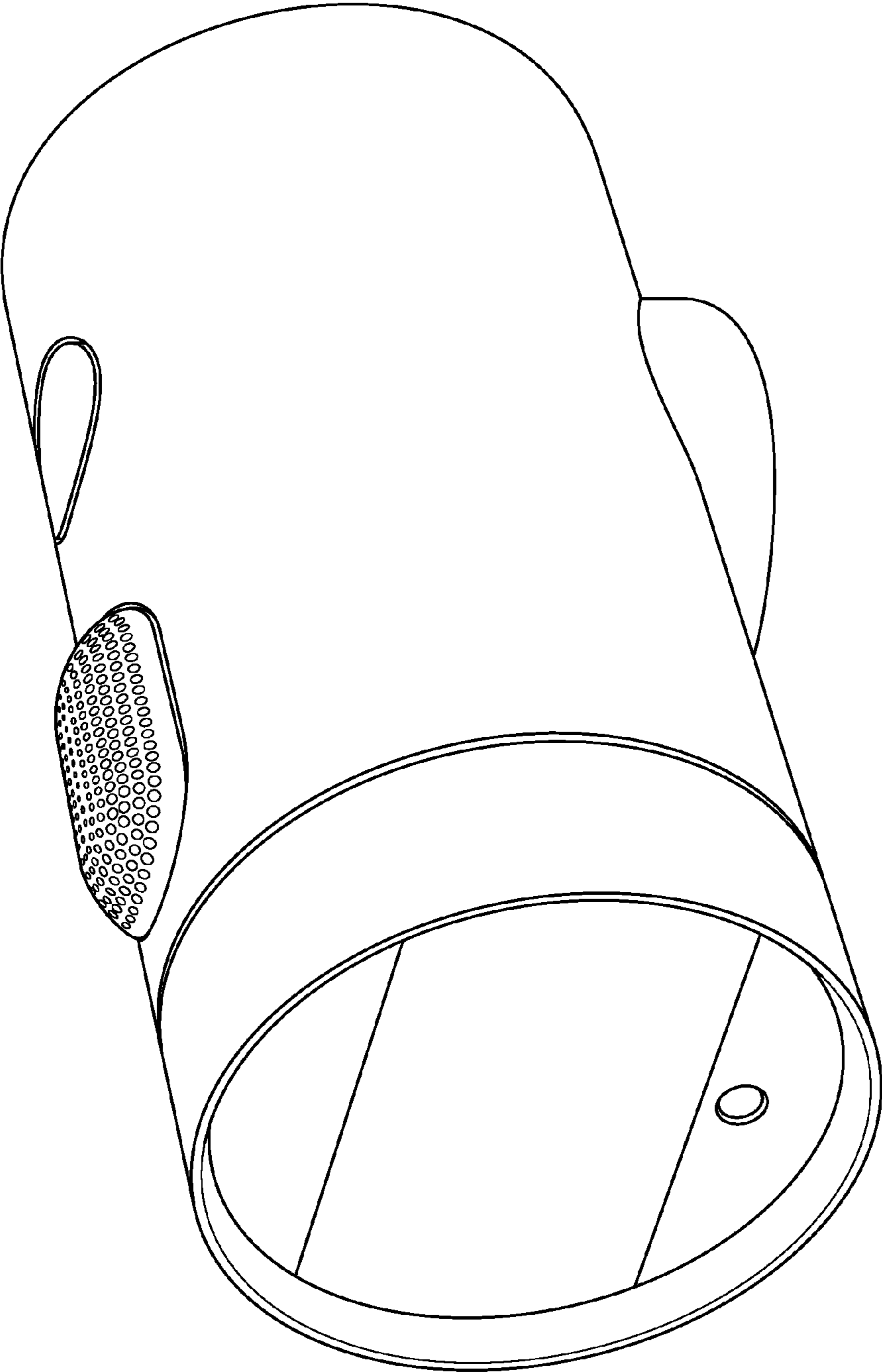


FIG. 8



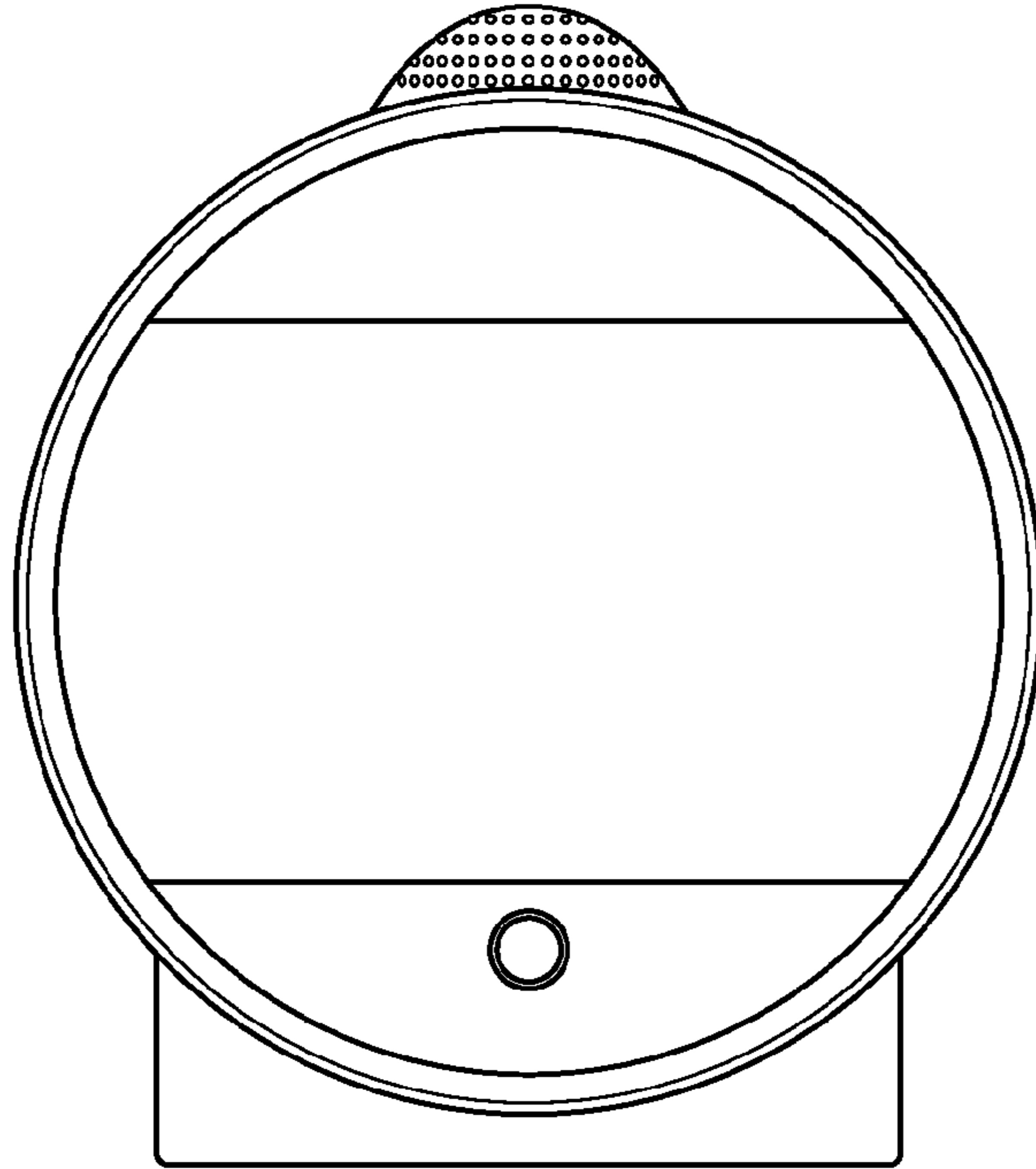


FIG. 9

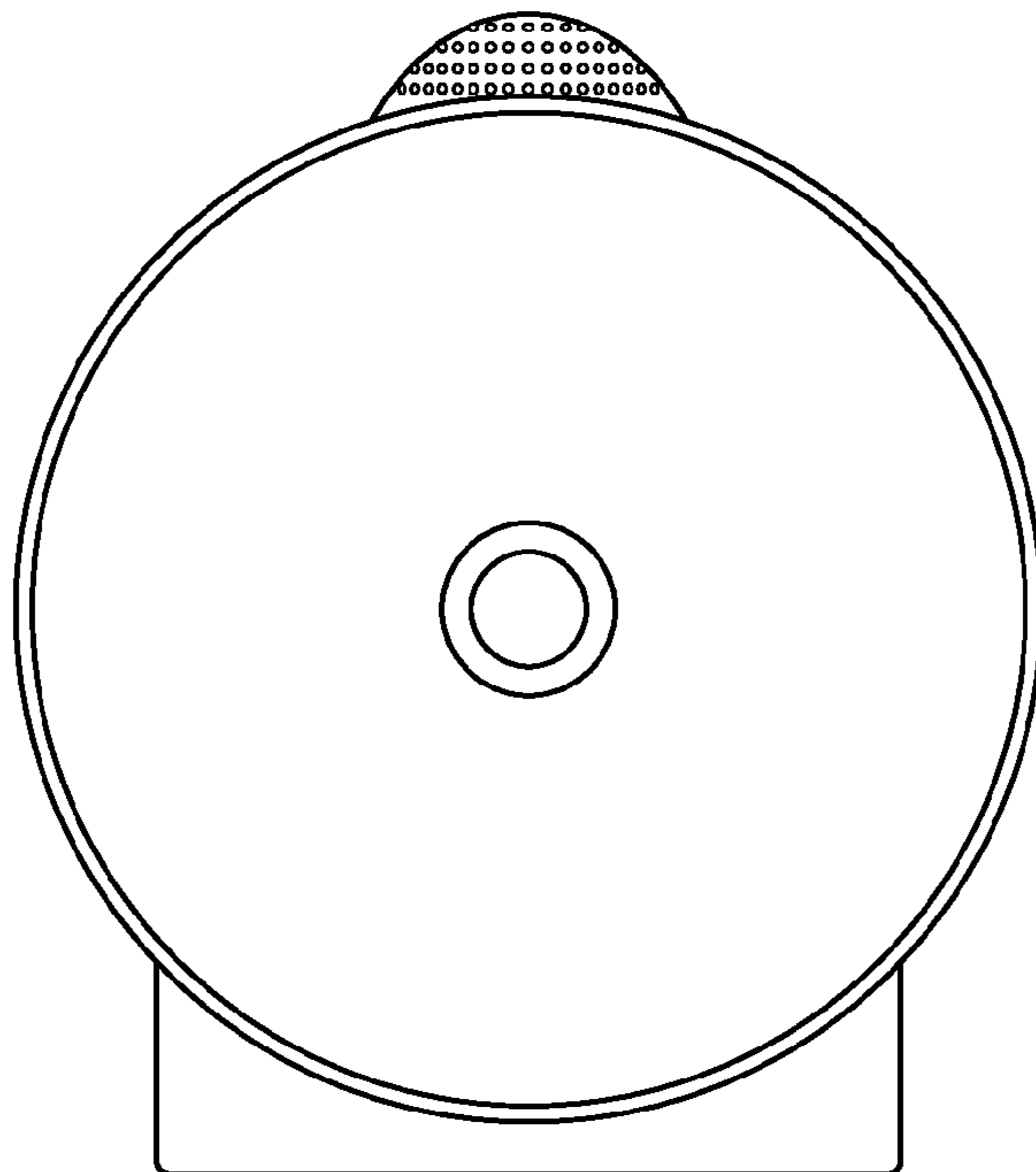


FIG. 10

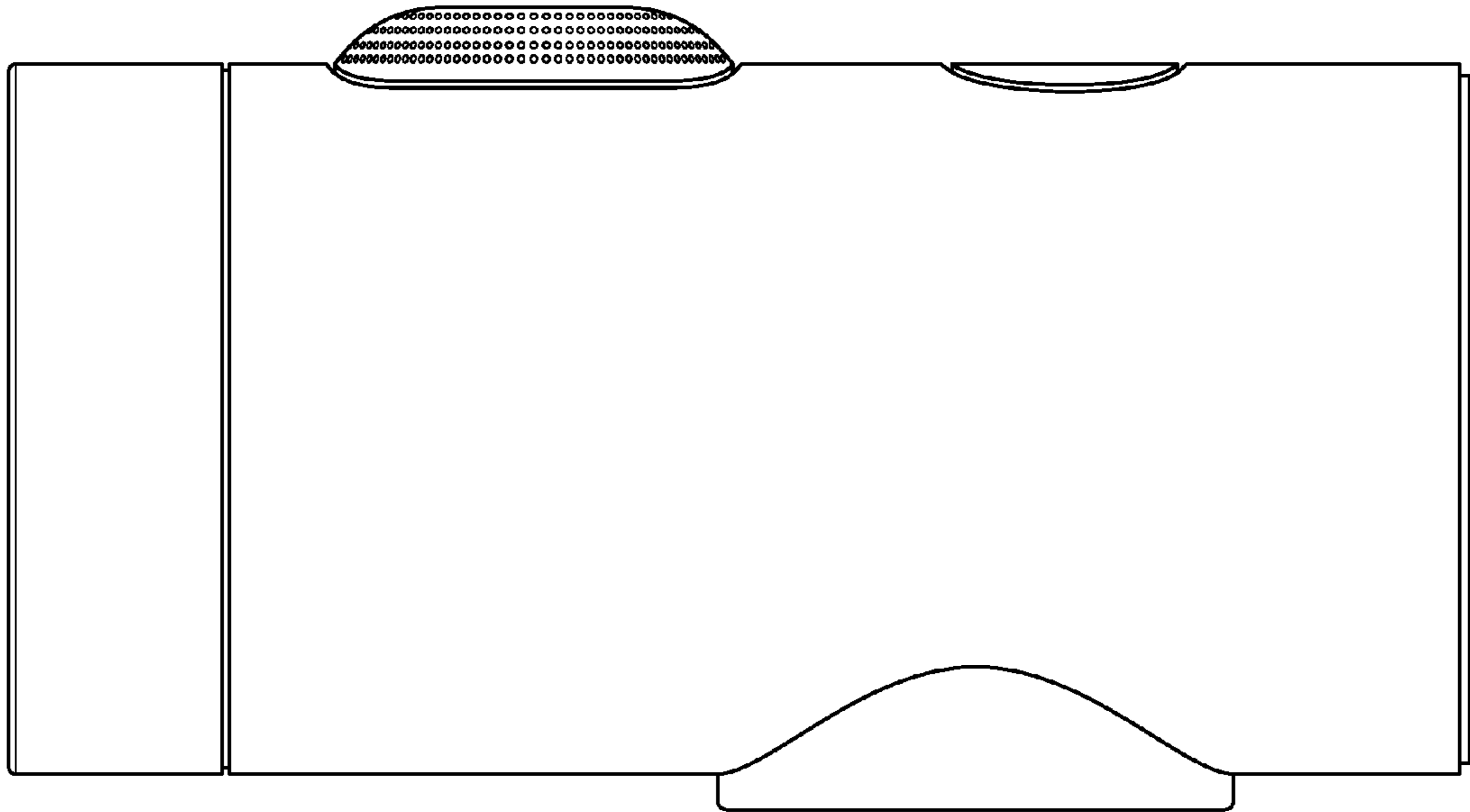


FIG. 11

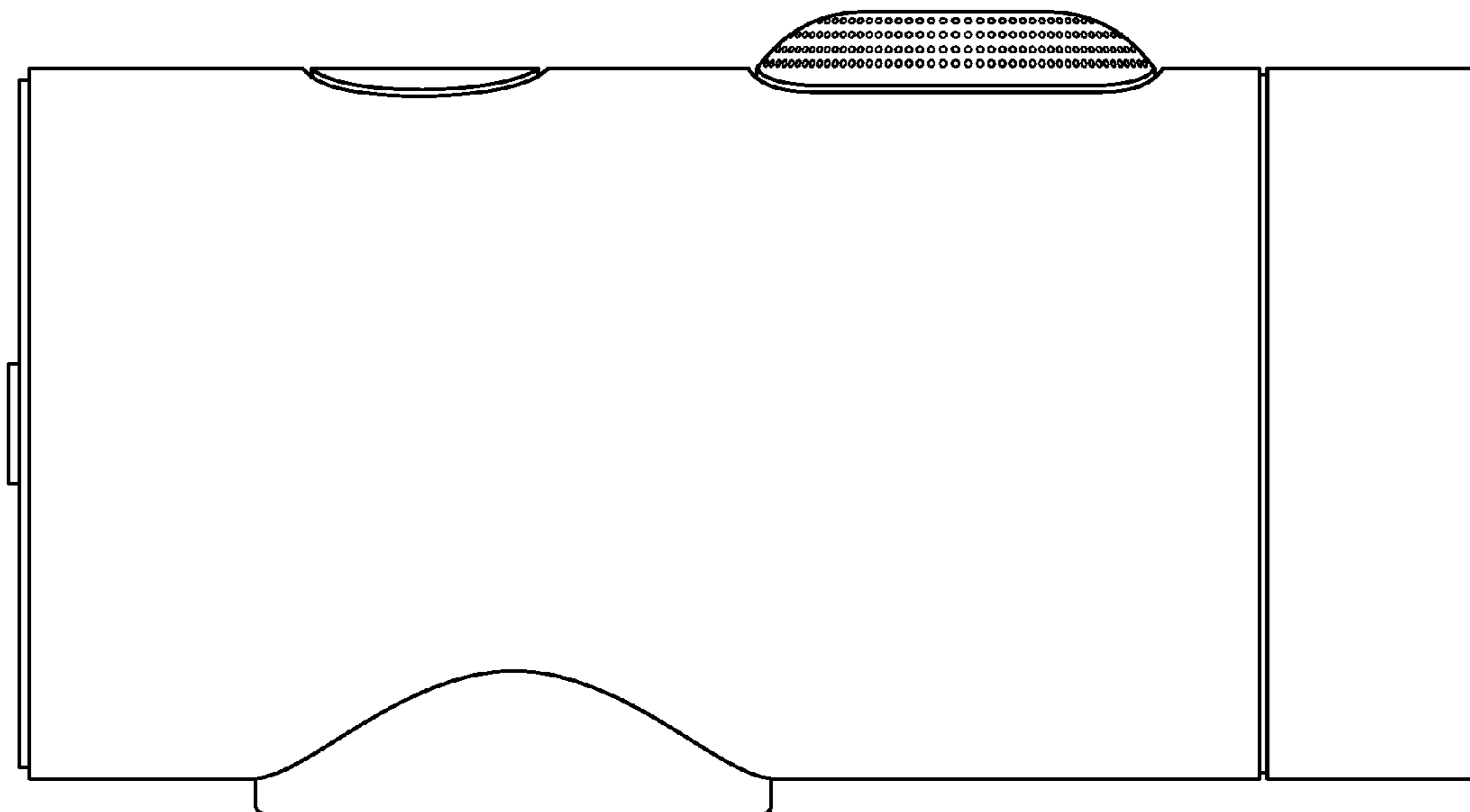


FIG. 12



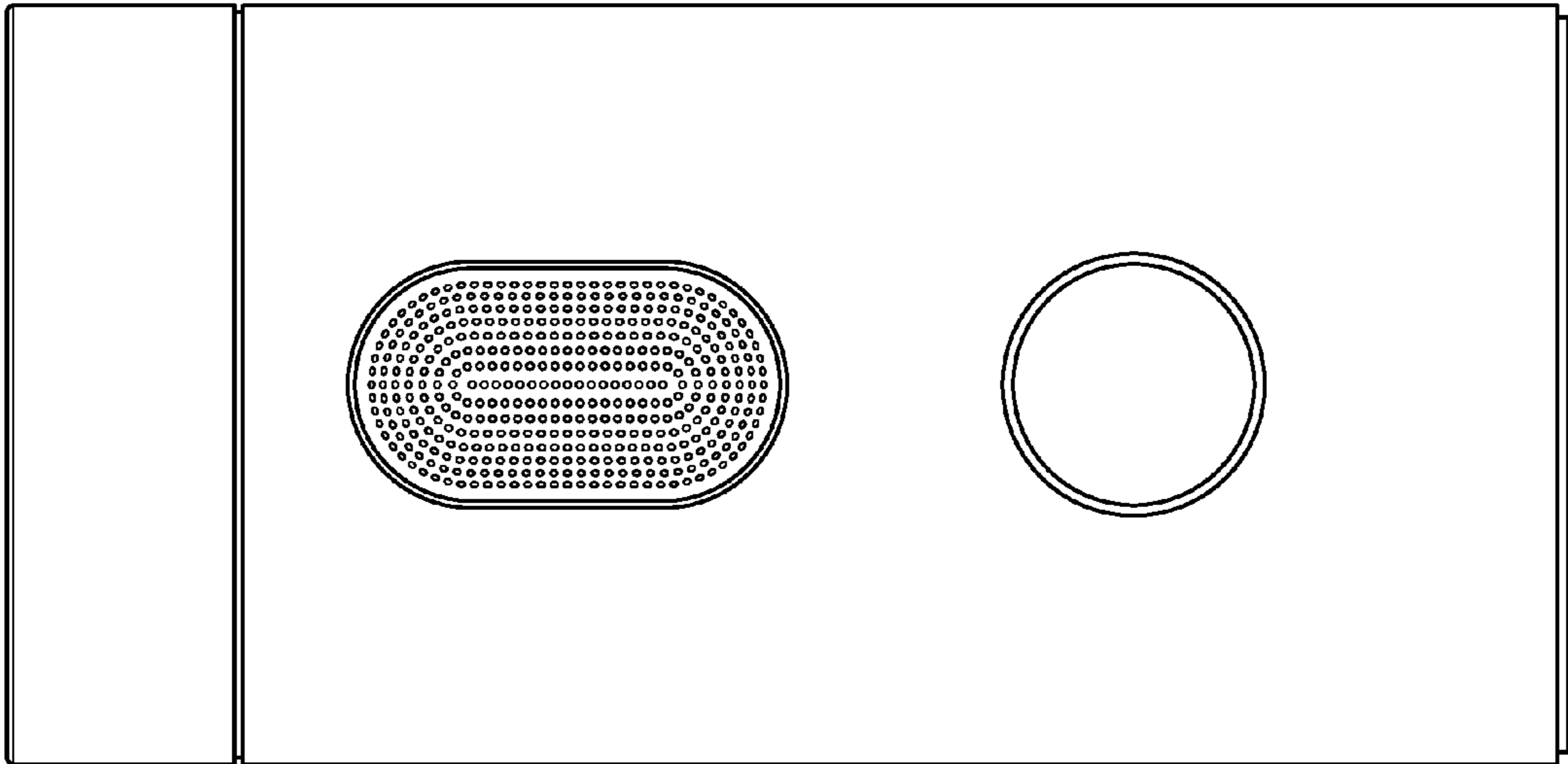


FIG. 13

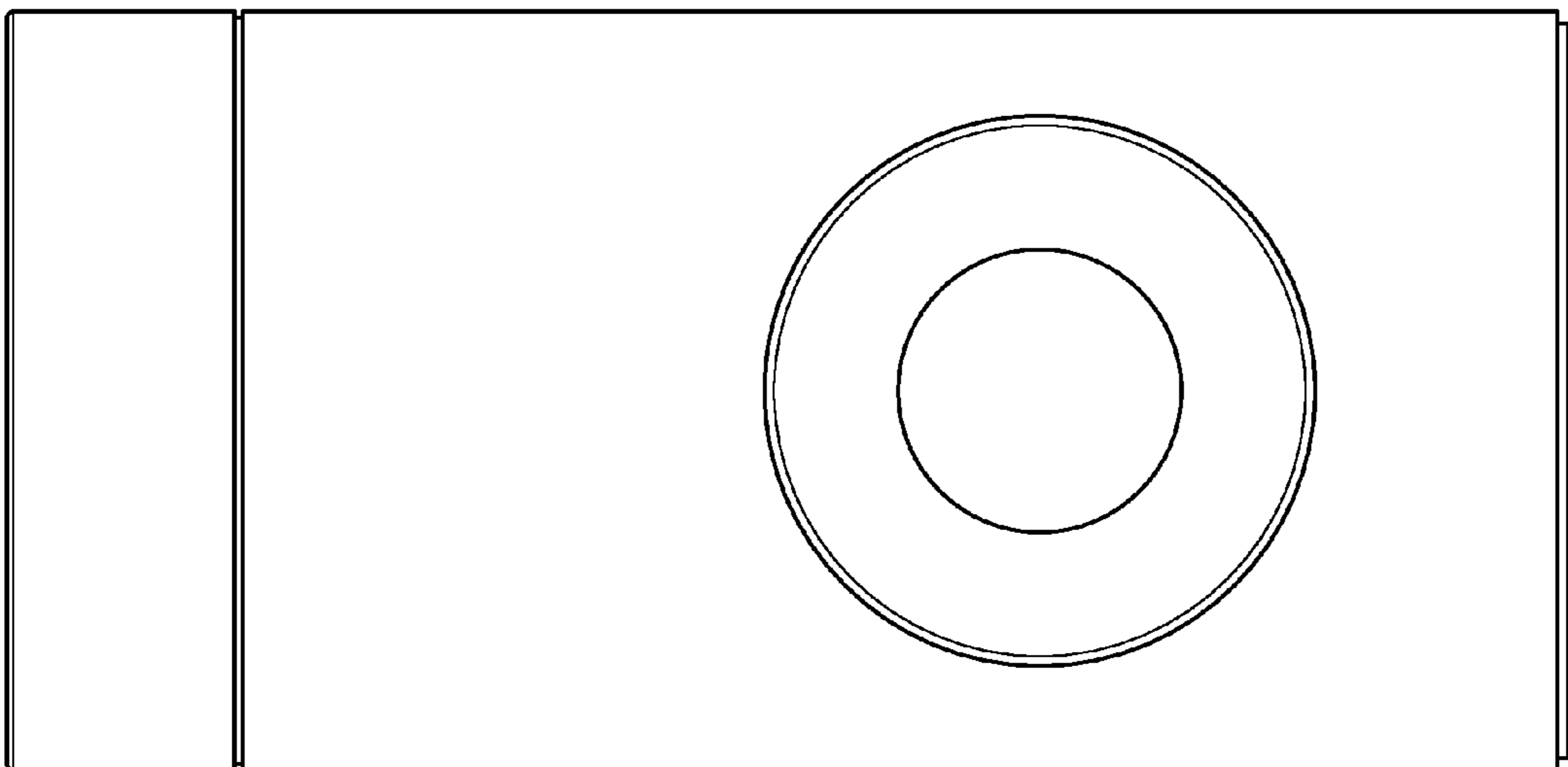


FIG. 14