



US00D624576S

(12) **United States Design Patent**
Lin

(10) **Patent No.:** **US D624,576 S**
(45) **Date of Patent:** **** Sep. 28, 2010**

(54) **LED ILLUMINATOR**

(76) **Inventor:** **Eddy Lin**, 750 Crestview Dr., Diamond Bar, CA (US) 91765

(**) **Term:** **14 Years**

(21) **Appl. No.:** **29/346,628**

(22) **Filed:** **Nov. 3, 2009**

(51) **LOC (9) Cl.** **16-06**

(52) **U.S. Cl.** **D16/131**

(58) **Field of Classification Search** D16/130,
D16/131, 135; D10/104, 106; 359/363,
359/425, 656, 799, 387, 389, 388, 385, 391;
356/368, 369

See application file for complete search history.

(56) **References Cited**

U.S. PATENT DOCUMENTS

2,103,230	A *	12/1937	Foster et al.	359/799
D163,628	S *	6/1951	Perkins	D16/131
D170,931	S *	11/1953	Macaluso, Jr.	D16/131
2,691,918	A *	10/1954	Krasniewicz et al.	359/363
2,971,080	A *	2/1961	Boughton	362/449
3,604,811	A *	9/1971	McMenmin	250/231.13
3,804,522	A *	4/1974	Smith	356/369
3,994,597	A *	11/1976	Calder et al.	356/251
D254,311	S *	2/1980	Morgan et al.	D16/131
4,527,870	A *	7/1985	Esmay	359/388
4,639,099	A *	1/1987	Tanaka et al.	313/524
D289,410	S *	4/1987	Feinbloom et al.	D16/131
D295,871	S *	5/1988	Charles	D16/130
5,062,697	A *	11/1991	Mitchell	359/379
5,241,422	A *	8/1993	Shimada et al.	359/694
D349,295	S *	8/1994	Weidemann	D16/131
6,031,179	A *	2/2000	O'Neill	136/246
D460,095	S *	7/2002	Yoneda	D16/130
D477,007	S *	7/2003	Fратиanni et al.	D16/130
7,660,045	B2 *	2/2010	Yoshimine	359/656

7,706,063	B2 *	4/2010	Chou	359/425
2004/0257830	A1	12/2004	Okabe et al.		
2008/0062707	A1	3/2008	Wu		
2009/0052191	A1	2/2009	Wang		

OTHER PUBLICATIONS

Tofra, Inc., Computer-controlled RGB LED Illuminator for Upright Microscopes, located at <http://www.tofrainc.net/RGB-LED-Illuminator.htm>, printed Oct. 13, 2009.

* cited by examiner

Primary Examiner—Paula Greene

(74) *Attorney, Agent, or Firm*—Patzik, Frank & Samotny Ltd.

(57) **CLAIM**

The ornamental design for a LED illuminator, as shown and described.

DESCRIPTION

FIG. 1 is a left front perspective view of the LED illuminator of the present invention;

FIG. 2 is a right side elevation view of the LED illuminator of the present invention;

FIG. 3 is a left side elevation view of the LED illuminator of the present invention;

FIG. 4 is a front elevation view of the LED illuminator of the present invention;

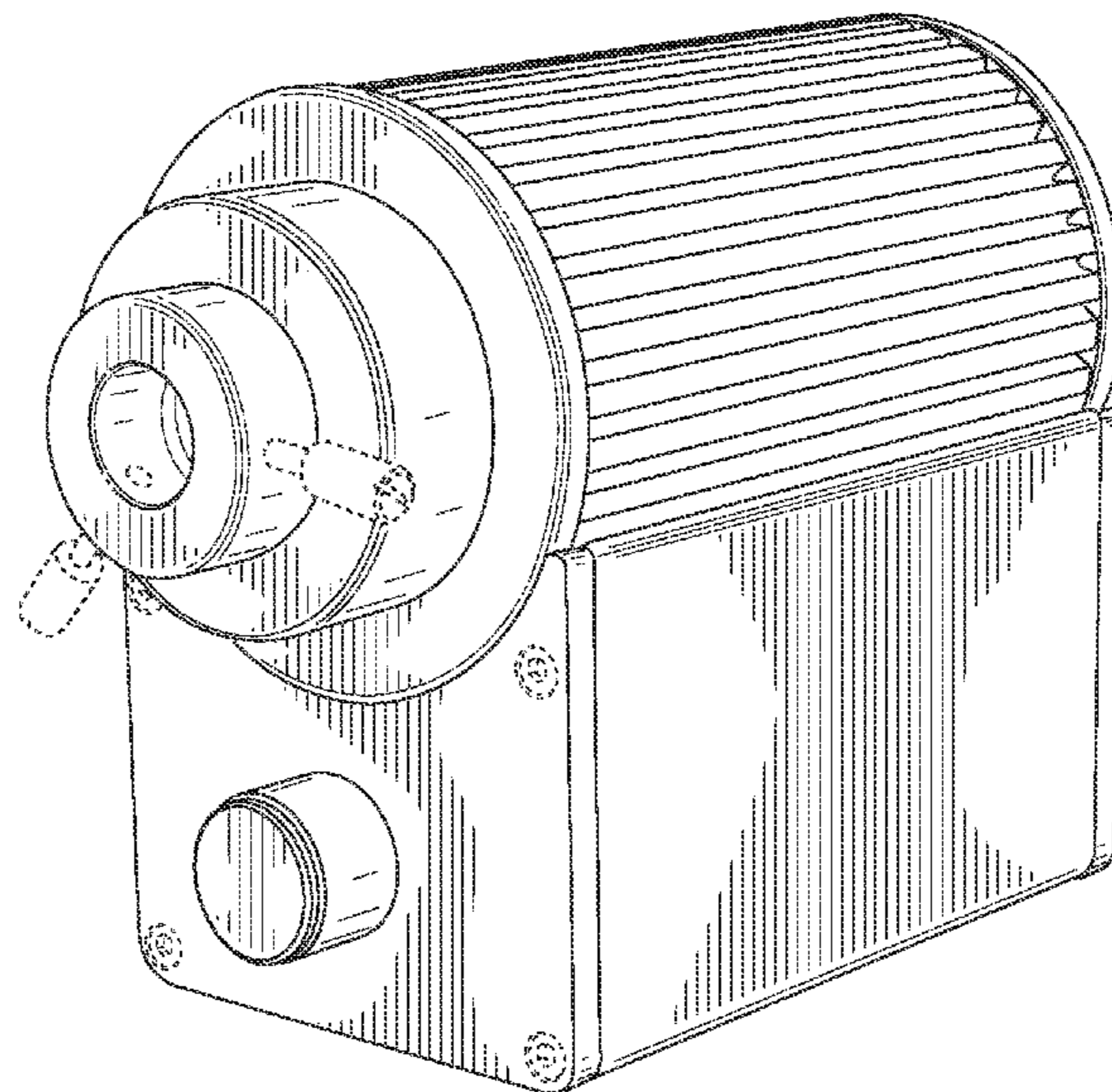
FIG. 5 is a rear elevation view of the LED illuminator of the present invention;

FIG. 6 is a top plan view of the LED illuminator of the present invention; and,

FIG. 7 is a bottom plan view of the LED illuminator of the present invention.

The portions of the drawing shown in broken lines form no part of the design sought to be patented.

1 Claim, 7 Drawing Sheets



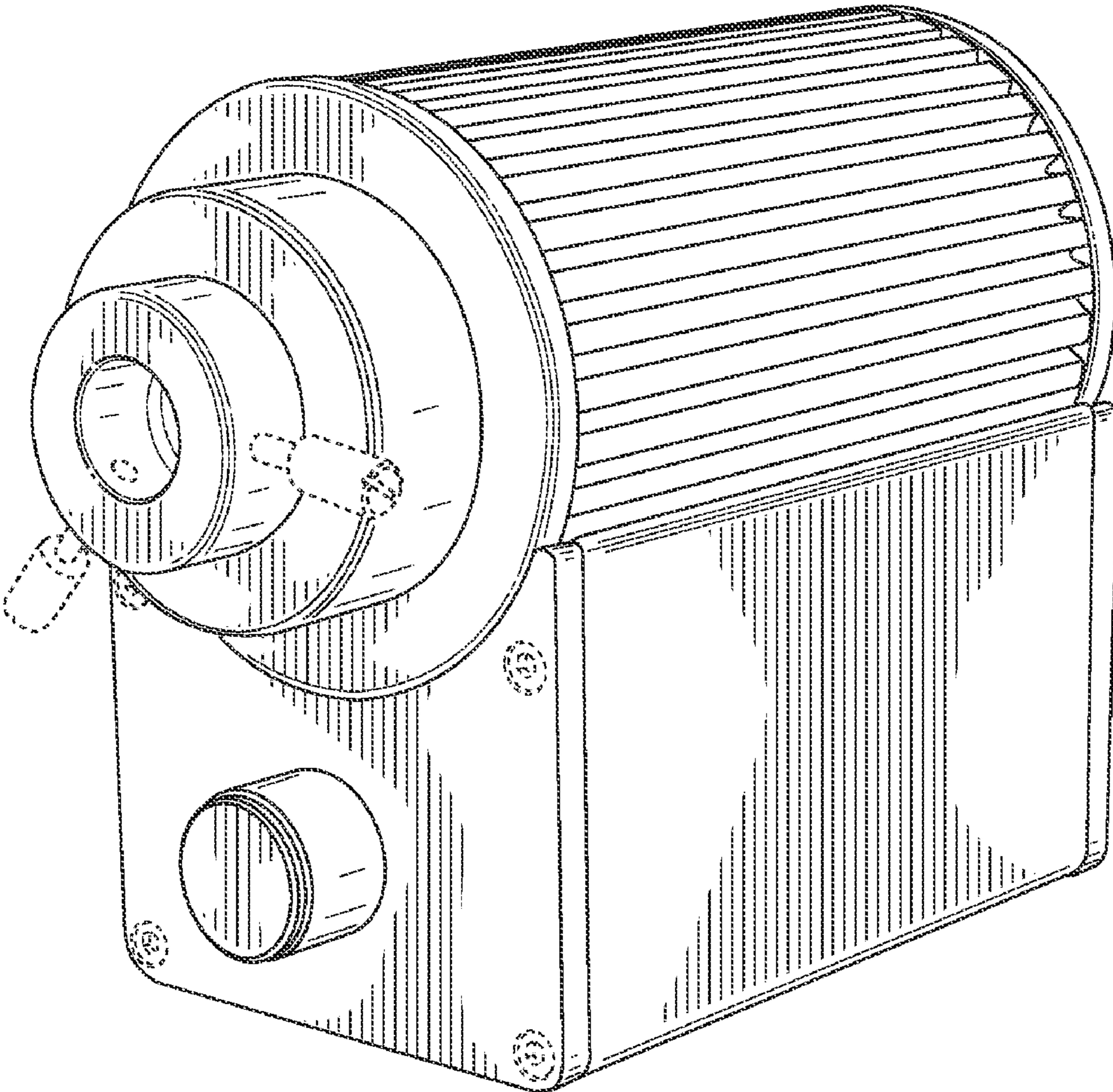


FIG. 1

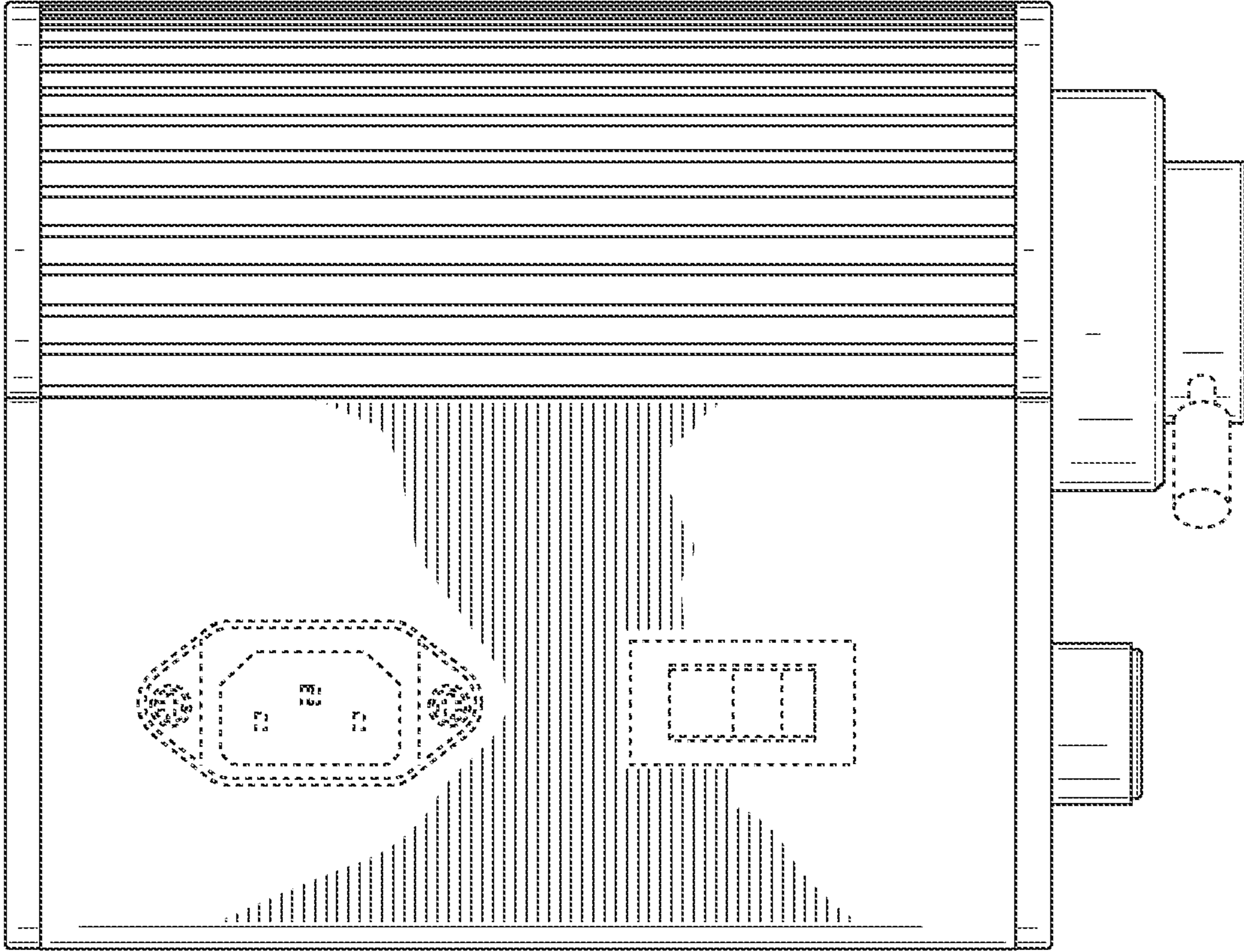


FIG. 2

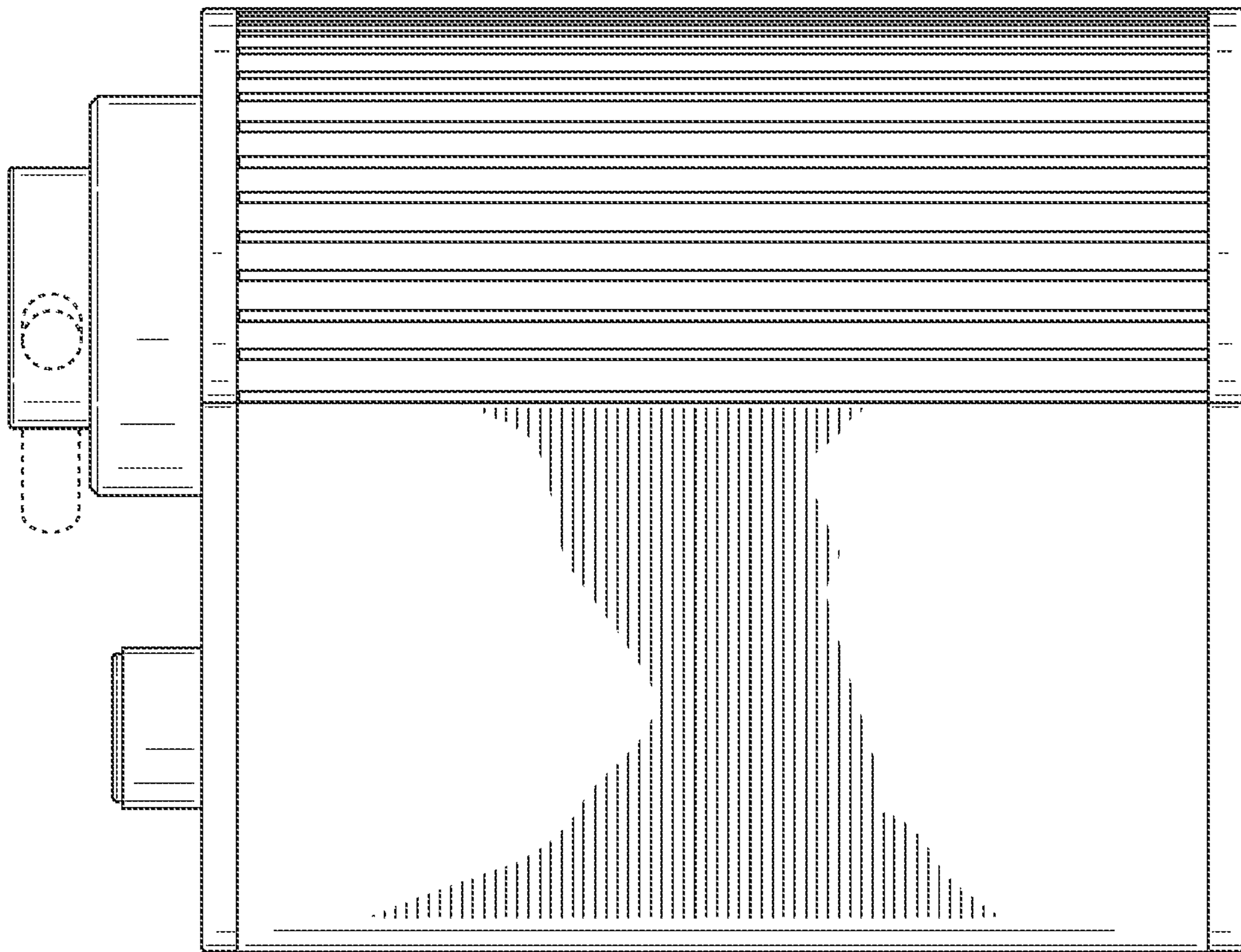


FIG. 3

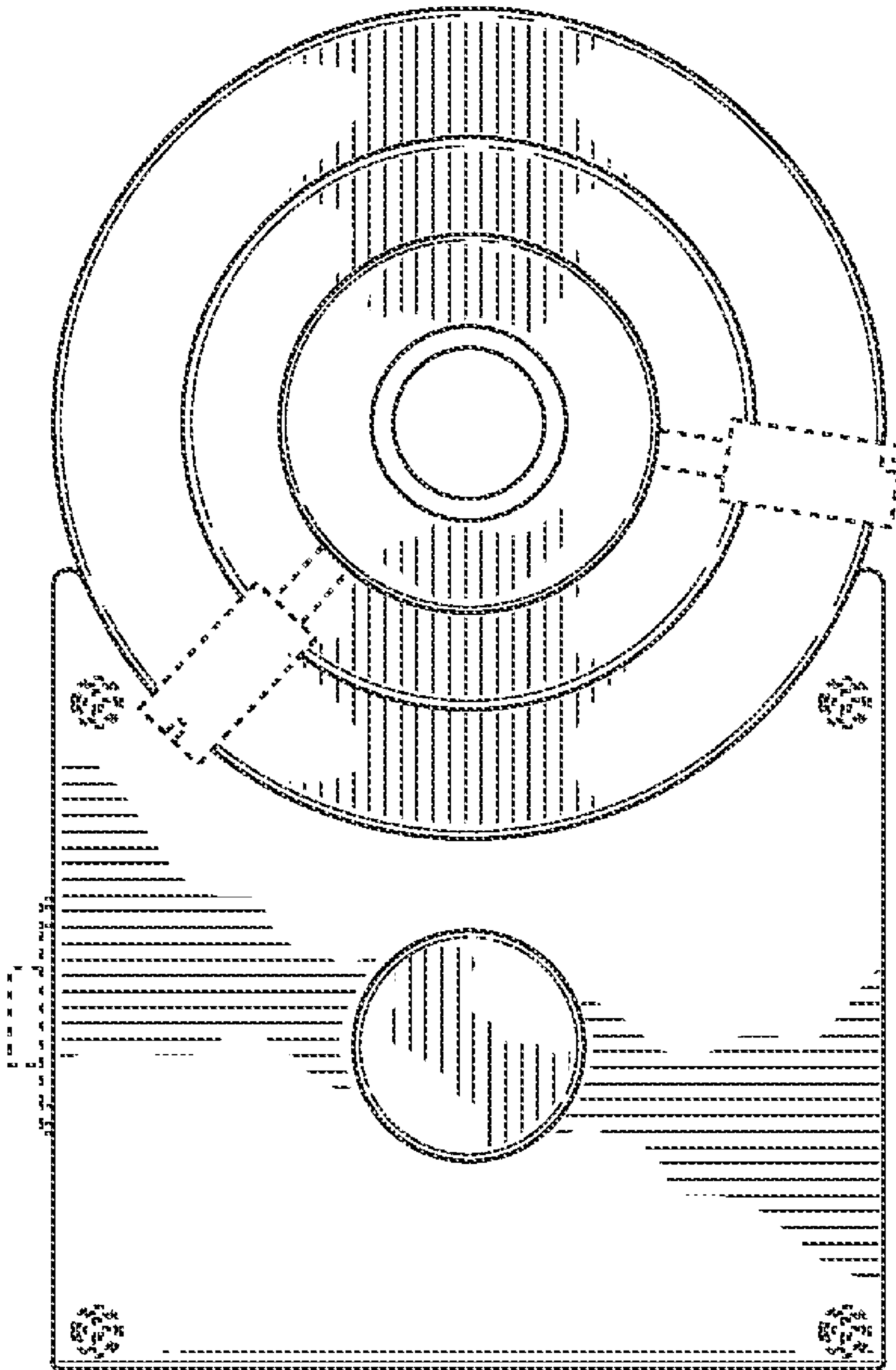


FIG. 4

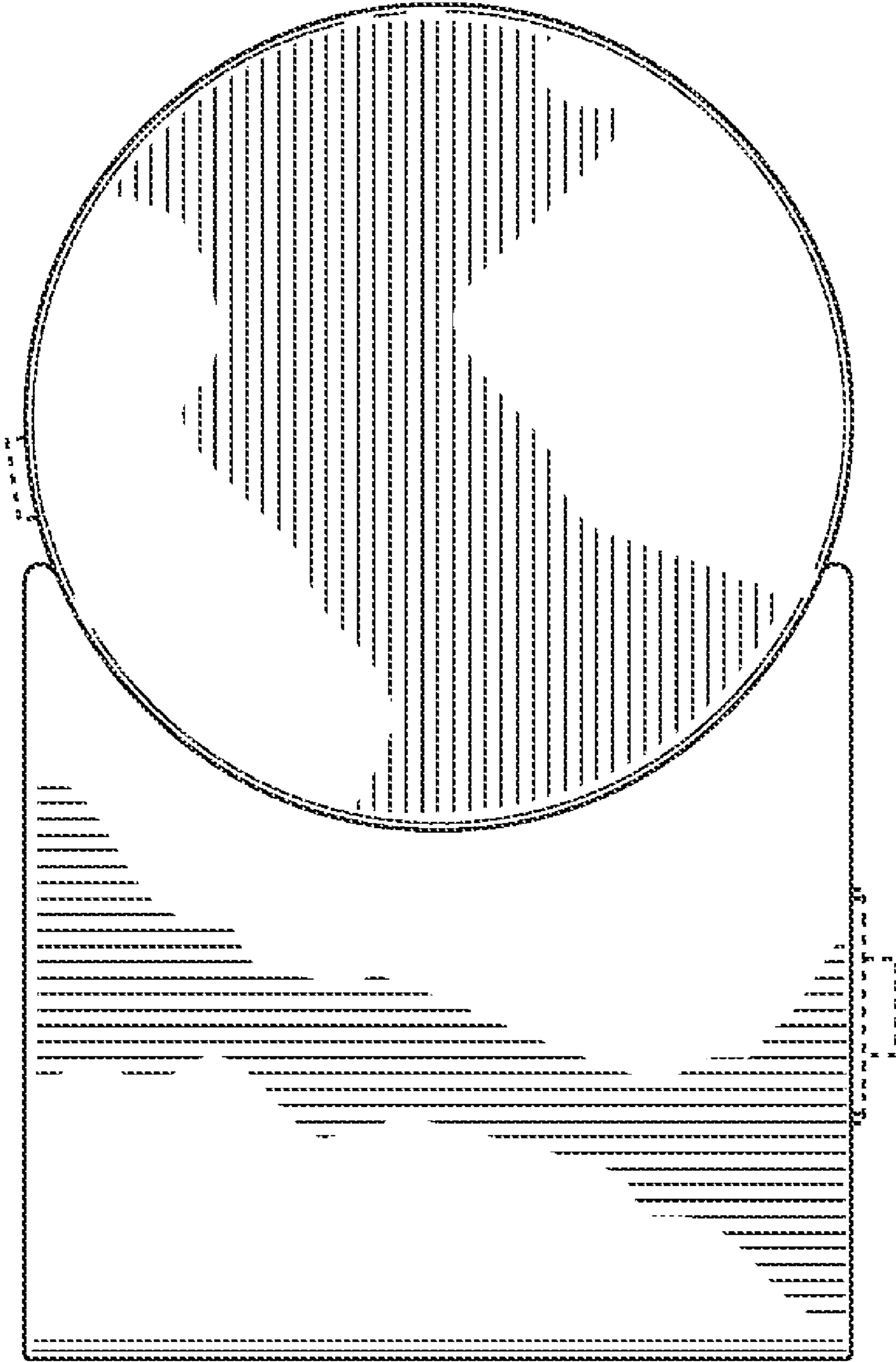


FIG. 5

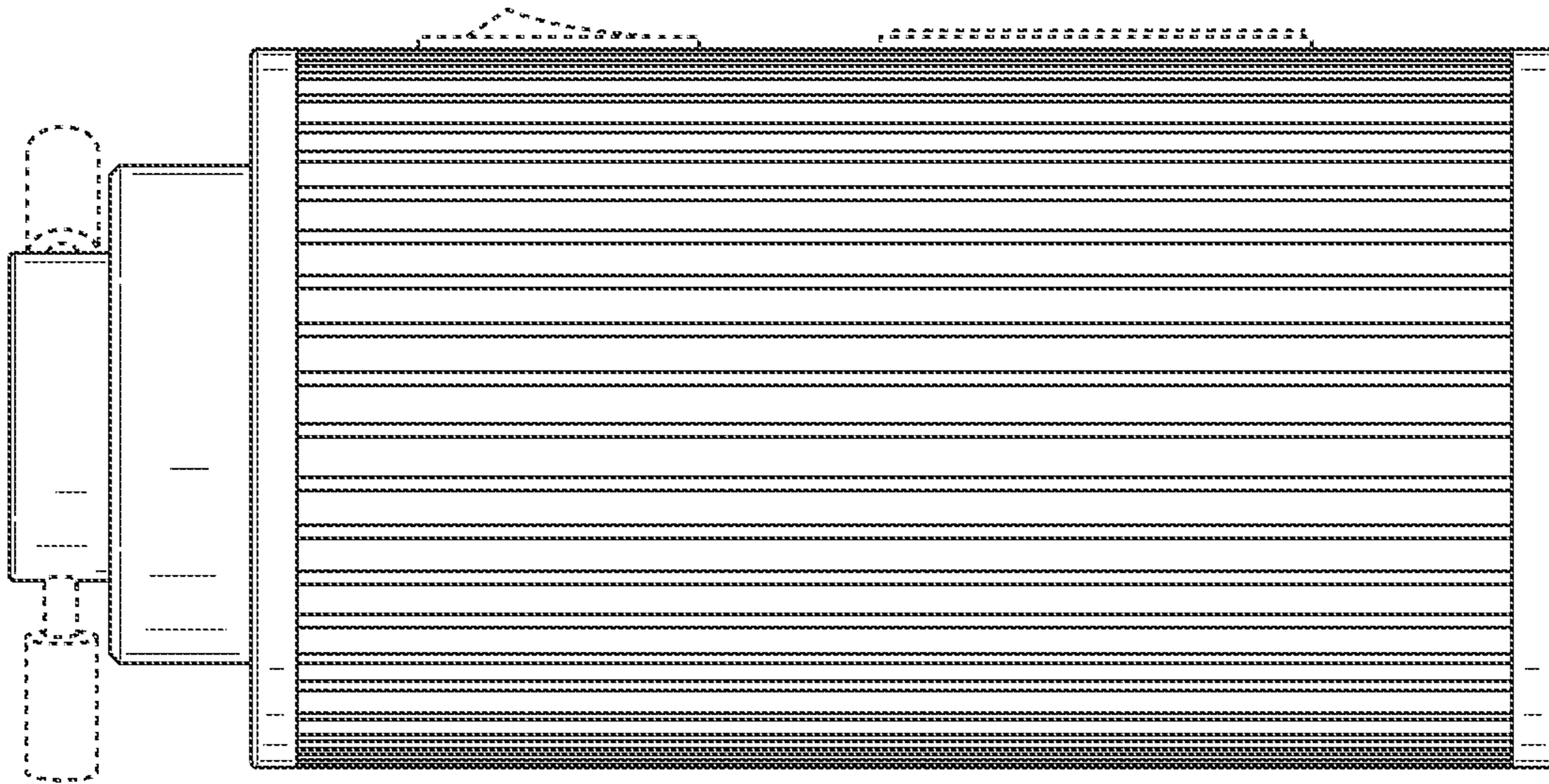


FIG. 6



FIG. 7