



US00D624574S

(12) **United States Design Patent**
Hall et al.

(10) **Patent No.:** **US D624,574 S**

(45) **Date of Patent:** **** Sep. 28, 2010**

(54) **VACUUM PACKAGING DEVICE**

(75) Inventors: **Andrew L. Hall**, Boynton Beach, FL (US); **Jeffrey A. Smith**, Pompano Beach, FL (US); **Augusto Picozza**, Boca Raton, FL (US); **Richard Neil Tobin**, Wellington, FL (US)

(73) Assignee: **Sunbeam Products, Inc.**, Boca Raton, FL (US)

(**) Term: **14 Years**

(21) Appl. No.: **29/356,198**

(22) Filed: **Feb. 22, 2010**

(51) **LOC (9) Cl.** **15-99**

(52) **U.S. Cl.** **D15/146**

(58) **Field of Classification Search** D15/145, D15/146; D18/50, 51, 53, 54; 53/374.9, 53/389.2, 389.3, 390, 510, 512; 101/9; 156/515, 156/583.4, 583.9; 219/143; 493/256

See application file for complete search history.

(56) **References Cited**

U.S. PATENT DOCUMENTS

D364,414 S *	11/1995	Yashimoto	D15/145
D467,963 S *	12/2002	Miyahara et al.	D18/54
D477,018 S *	7/2003	Dwyer et al.	D18/50
D483,059 S *	12/2003	Goh et al.	D18/50
D490,462 S *	5/2004	Chua et al.	D18/55
D506,214 S *	6/2005	Zepter	D15/146
D518,090 S *	3/2006	Massey et al.	D18/50
D544,508 S *	6/2007	Beno et al.	D15/146

D566,756 S *	4/2008	Massey et al.	D18/50
D573,619 S *	7/2008	Pearl et al.	D15/145
D579,957 S *	11/2008	Kiple et al.	D15/145
D593,586 S *	6/2009	Hashimoto et al.	D15/146
D608,803 S *	1/2010	Hageman et al.	D15/146
2005/0022471 A1 *	2/2005	Higer	53/434
2005/0022480 A1 *	2/2005	Brakes	53/512
2005/0050855 A1 *	3/2005	Baptista	53/434
2005/0217101 A1 *	10/2005	Small	29/450
2007/0193230 A1 *	8/2007	Bapista	53/510

* cited by examiner

Primary Examiner—Patricia Palasik

(74) *Attorney, Agent, or Firm*—Lawrence J. Shurupoff

(57) **CLAIM**

The ornamental design for a vacuum packaging device, shown and described.

DESCRIPTION

FIG. 1 is a top front right perspective view of the vacuum packaging device showing the new design;

FIG. 2 is a front elevation view thereof;

FIG. 3 is a back elevation view thereof;

FIG. 4 is a right side elevation view thereof;

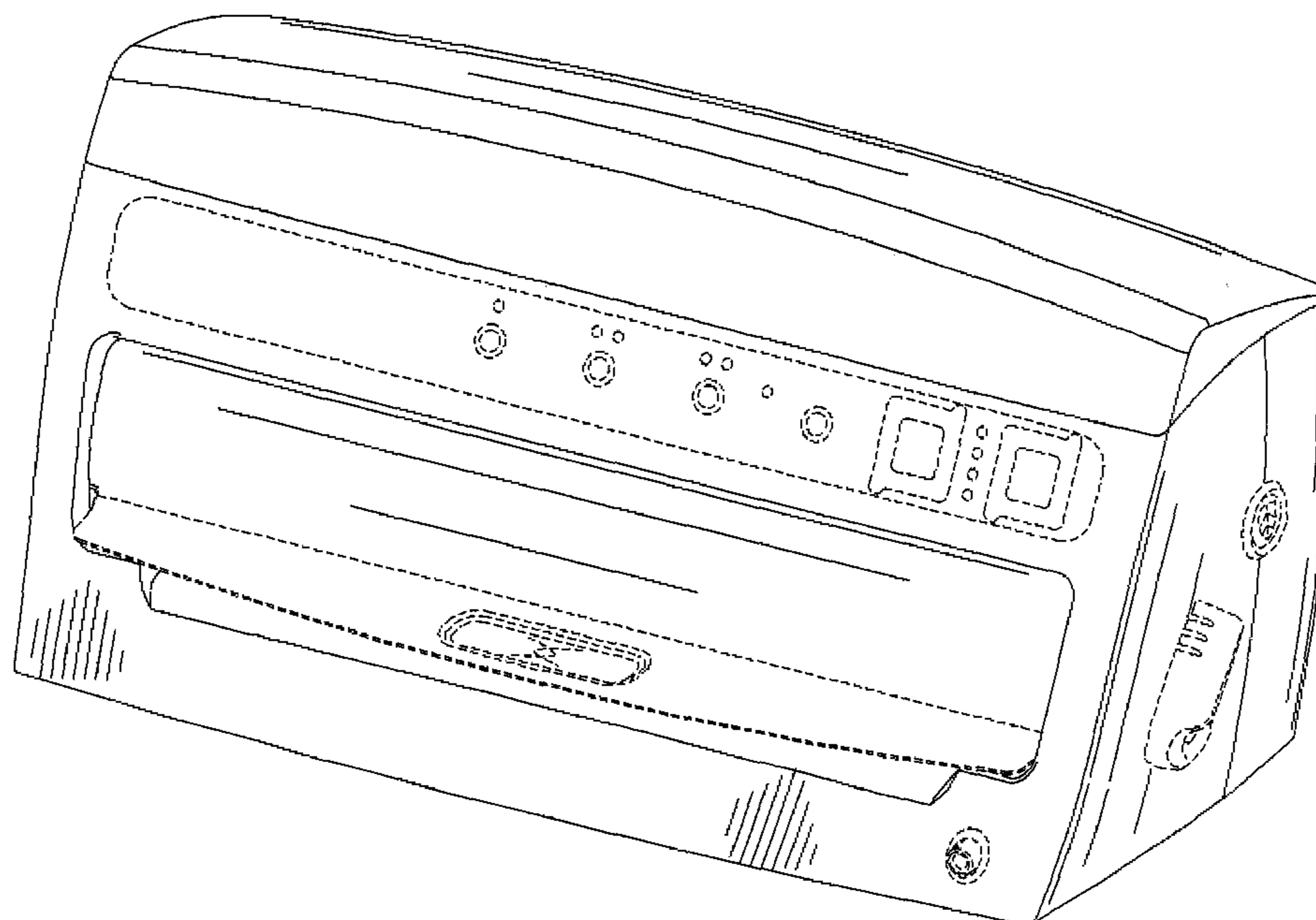
FIG. 5 is a left side elevation view thereof;

FIG. 6 is a top plan view thereof; and,

FIG. 7 is a bottom plan view thereof.

The broken lines in the drawings are for illustrative purposes only and form no part of the claimed design.

1 Claim, 7 Drawing Sheets



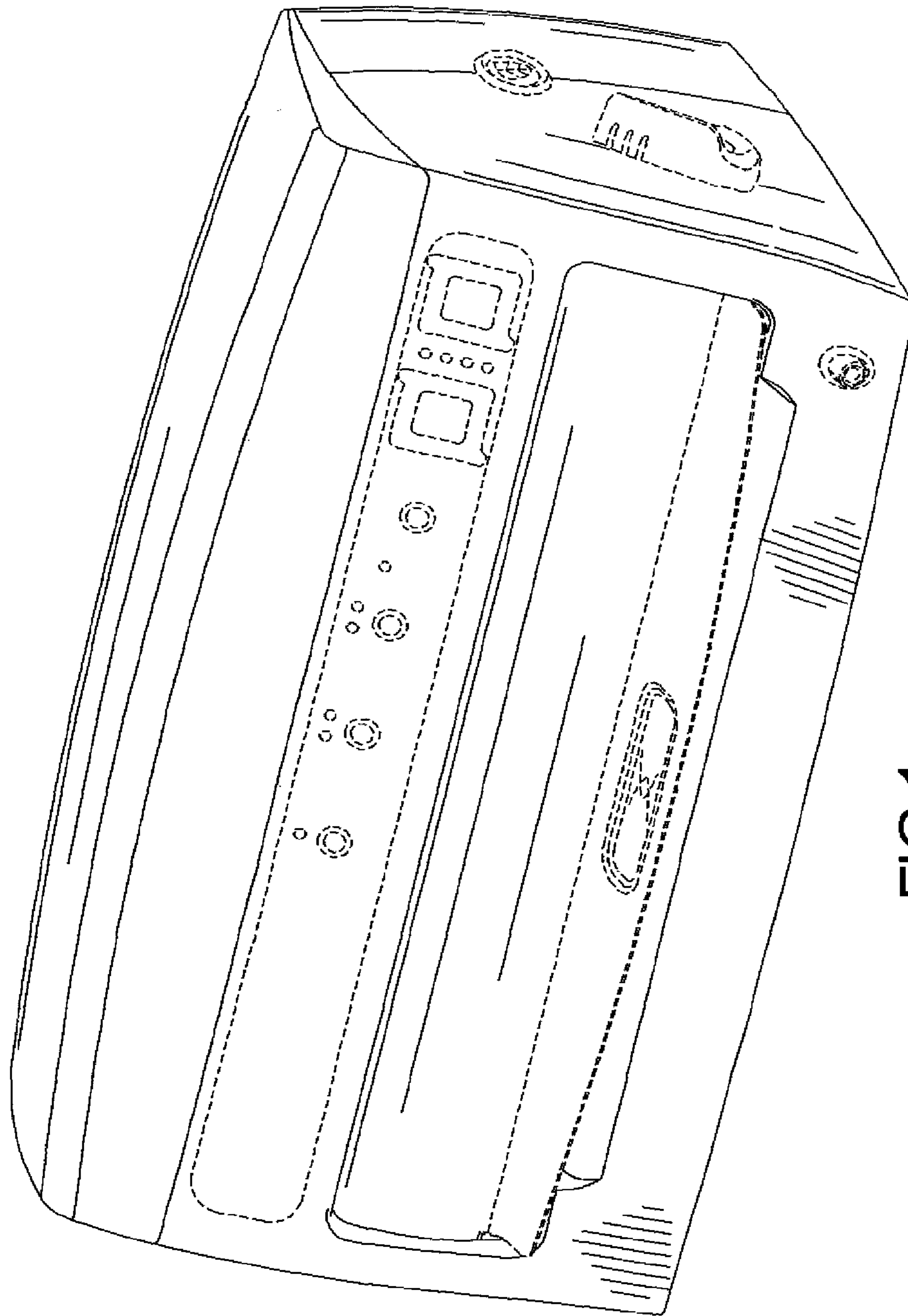


FIG 1

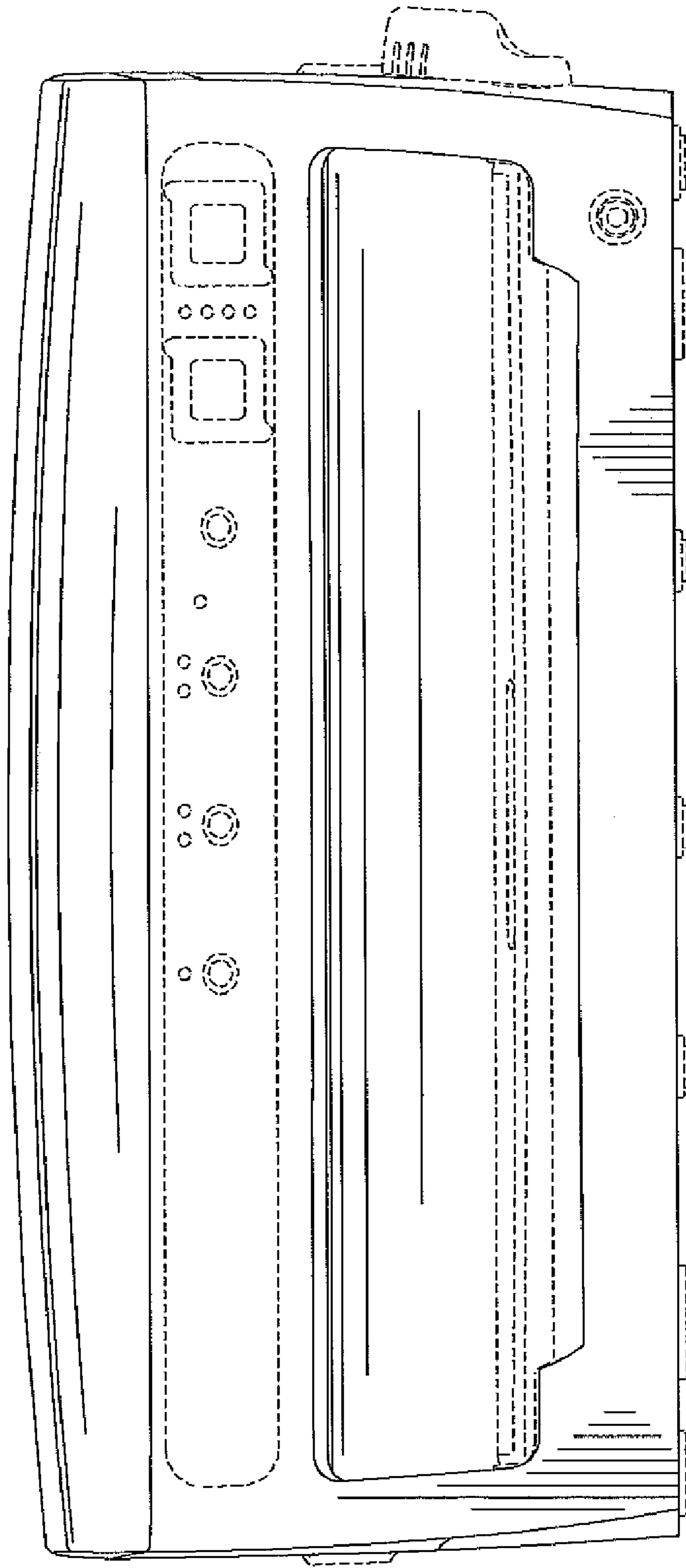


FIG 2

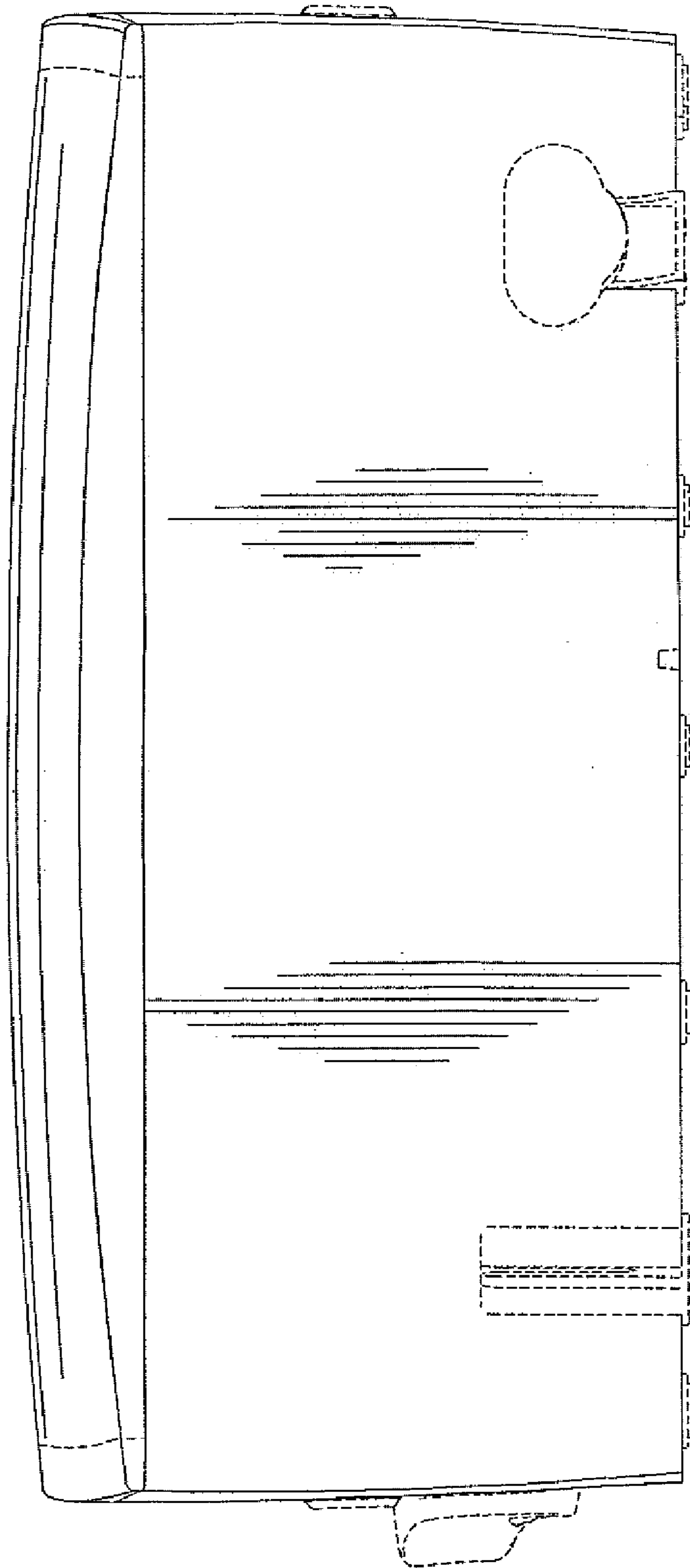


FIG 3

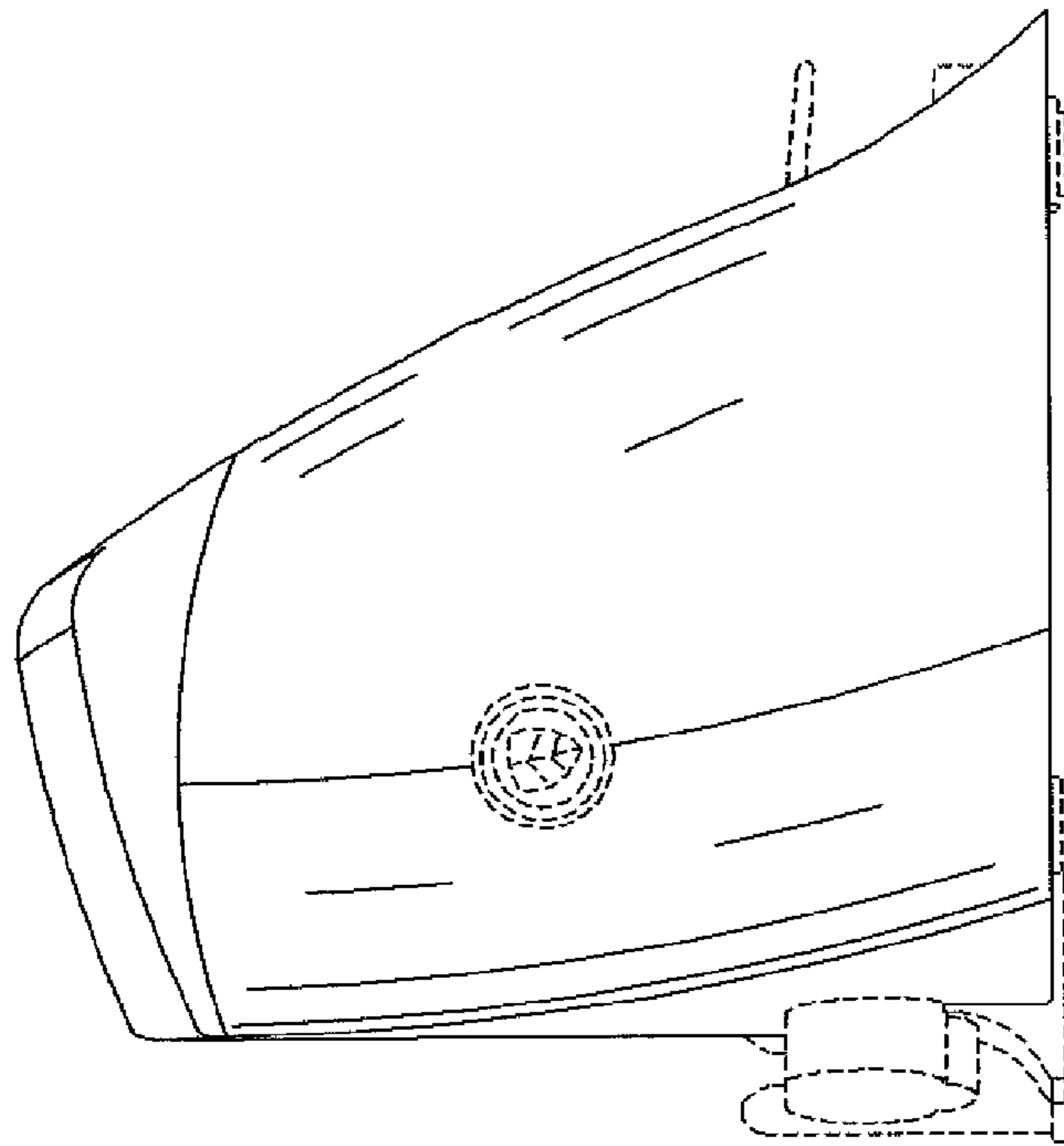


FIG 4

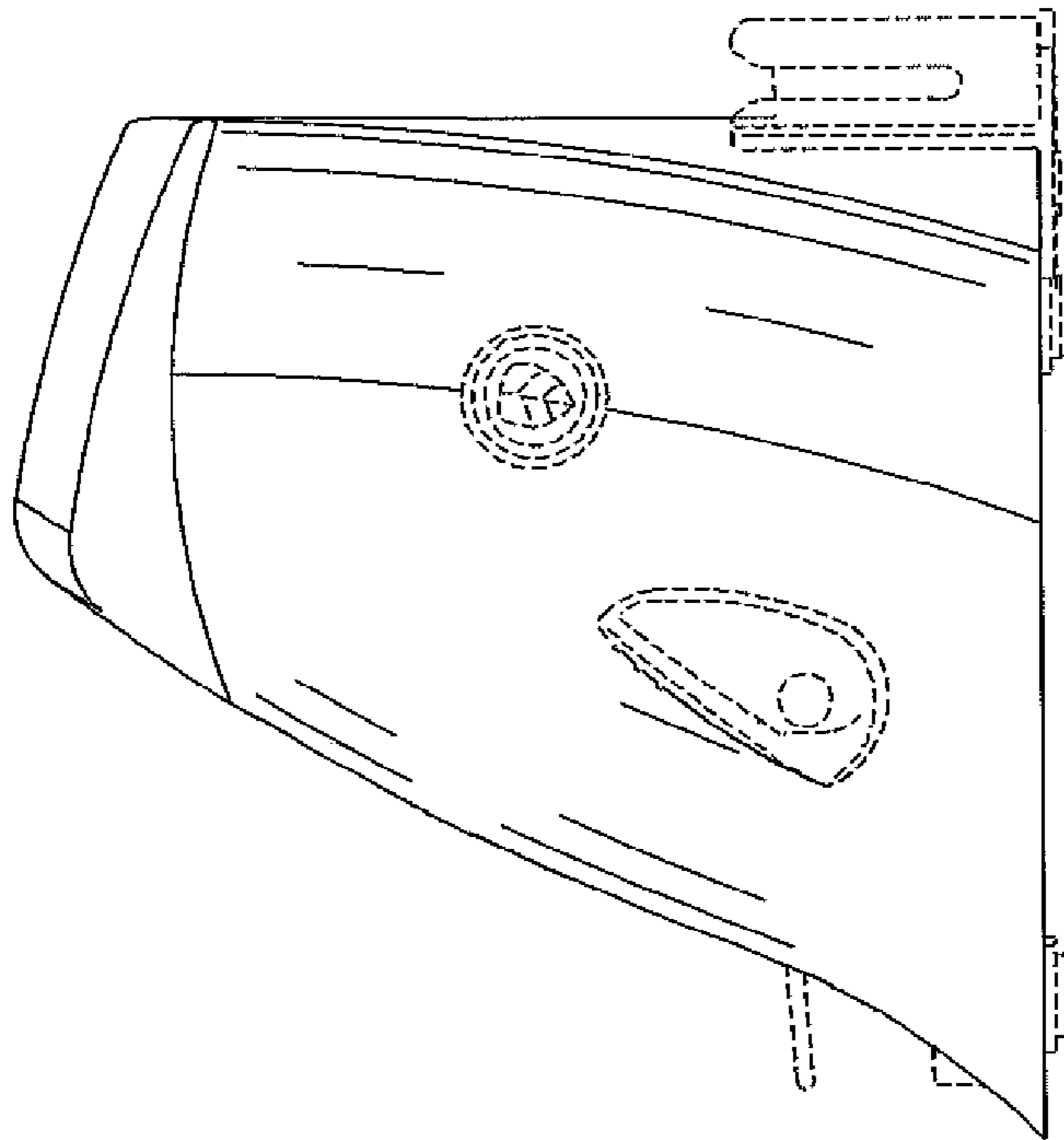


FIG 5

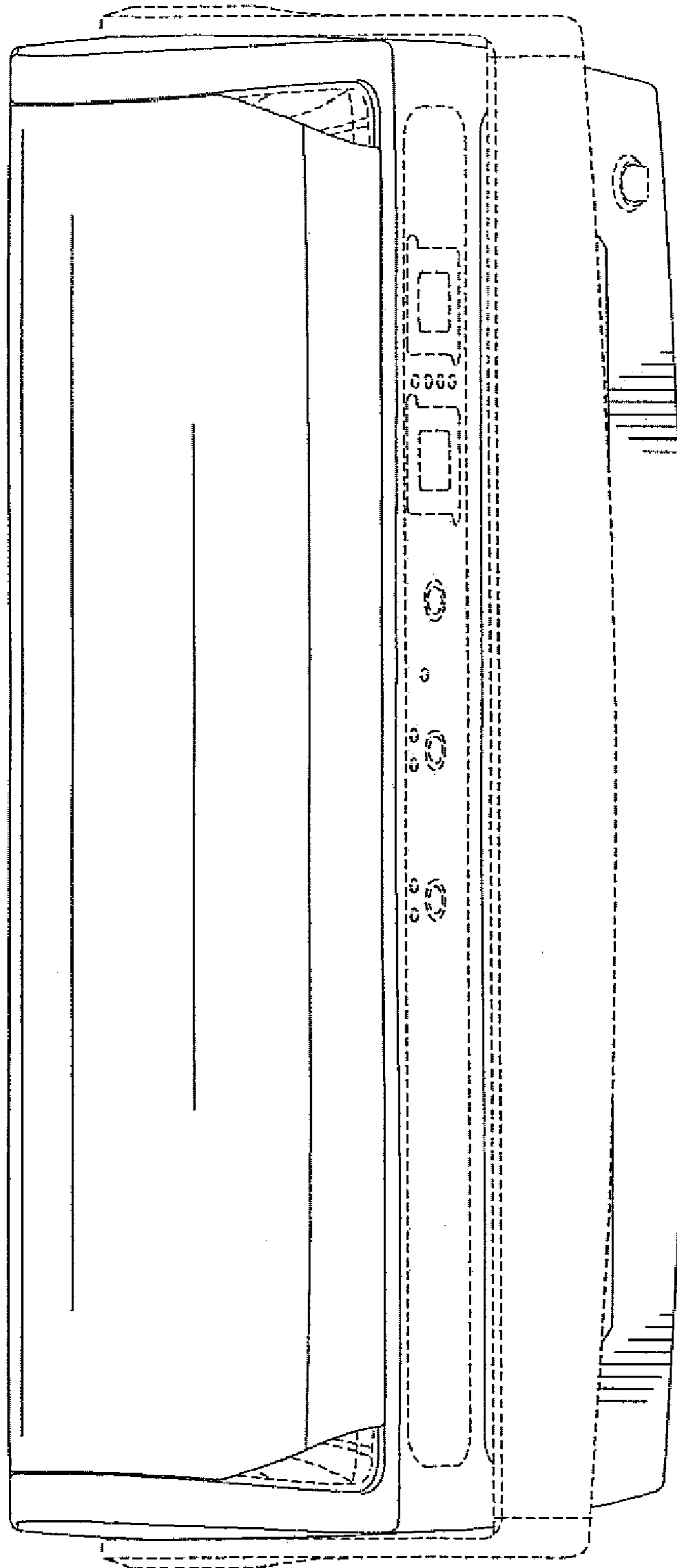


FIG 6

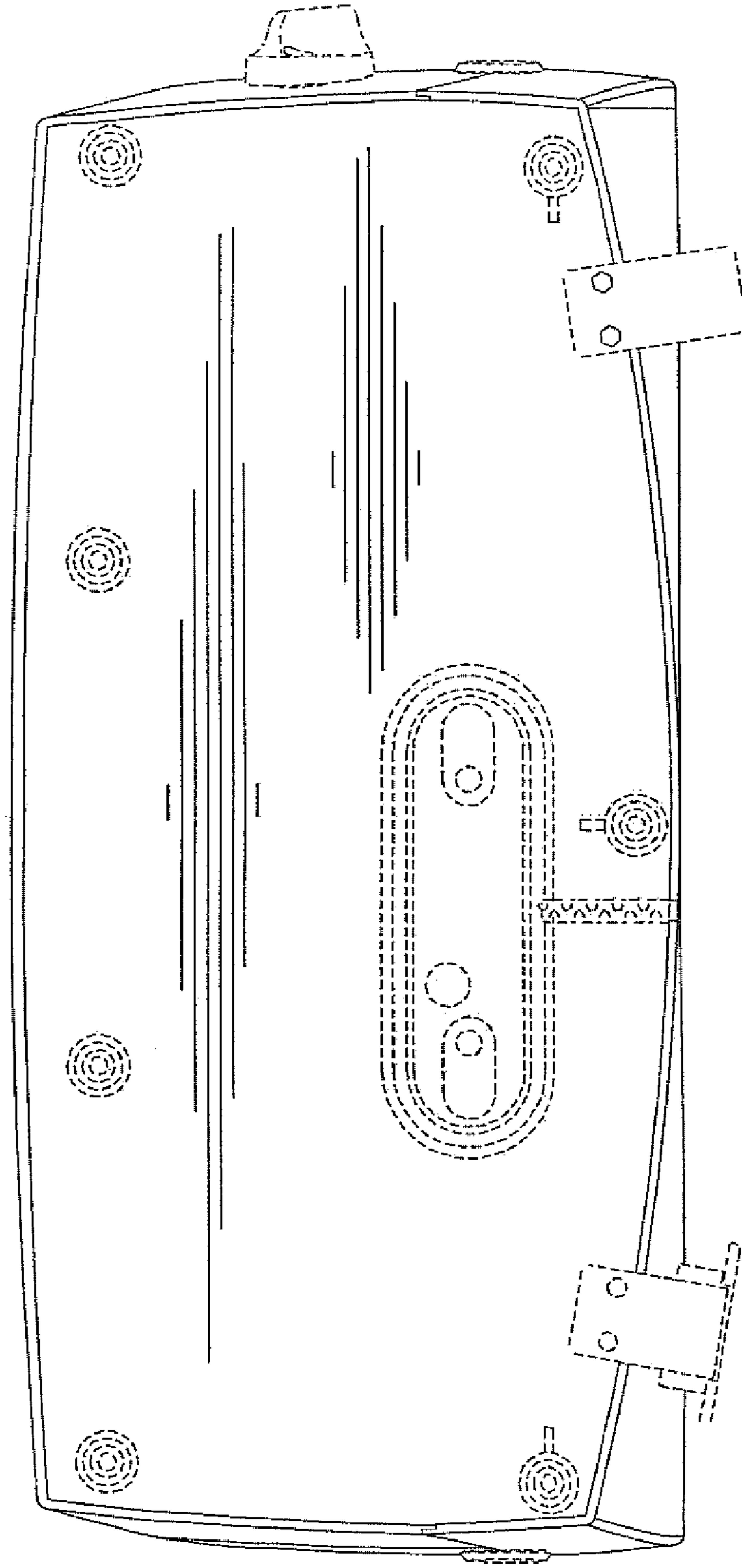


FIG 7