

US00D624571S

(12) **United States Design Patent**  
**Hagleitner**

(10) **Patent No.:** **US D624,571 S**

(45) **Date of Patent:** **\*\* Sep. 28, 2010**

(54) **JOURNAL BEARING FOR A CARRIER FOR PAPER ROLLS**

(76) Inventor: **Hans Georg Hagleitner**, Lindenallee 11, Zell am See (AT) A-5700

(\*\*) Term: **14 Years**

(21) Appl. No.: **29/351,670**

(22) Filed: **Dec. 9, 2009**

**Related U.S. Application Data**

(62) Division of application No. 29/306,266, filed on Apr. 4, 2008, now Pat. No. Des. 612,407, and a division of application No. 29/283,133, filed on Aug. 7, 2007, now Pat. No. Des. 570,209.

**Foreign Application Priority Data**

Feb. 7, 2007 (EP) ..... 000667167  
Mar. 13, 2007 (EP) ..... 000688114

(51) **LOC (9) Cl.** ..... **15-09**

(52) **U.S. Cl.** ..... **D15/143; D8/499**

(58) **Field of Classification Search** ..... D8/382-399, D8/499; D15/143; 81/436; 242/422.4-423.2, 242/570, 598, 598.2, 613.5; 411/378, 379, 411/382, 403, 542

See application file for complete search history.

(56) **References Cited**

**U.S. PATENT DOCUMENTS**

3,424,857 A \* 1/1969 Kipp et al. .... 174/153 G

D360,820 S \* 8/1995 Haase ..... D8/356  
5,725,321 A \* 3/1998 Brannan et al. .... 400/708  
D510,259 S \* 10/2005 Yoshimoto ..... D8/397  
D579,323 S \* 10/2008 Hagleitner ..... D8/499  
D579,765 S \* 11/2008 Hagleitner ..... D8/499  
D585,732 S \* 2/2009 Hagleitner ..... D8/499  
2008/0121750 A1 \* 5/2008 Hagleitner ..... 242/560  
2010/0012763 A1 \* 1/2010 Boardman ..... 242/423.2  
2010/0084539 A1 \* 4/2010 Popkin et al. .... 248/475.1

\* cited by examiner

*Primary Examiner*—Cathron C Brooks

*Assistant Examiner*—Barbara Fox

(74) *Attorney, Agent, or Firm*—Laurence A. Greenberg; Werner H. Stemer; Ralph E. Locher

(57) **CLAIM**

The ornamental design for a journal bearing for a carrier for paper rolls, as shown and described.

**DESCRIPTION**

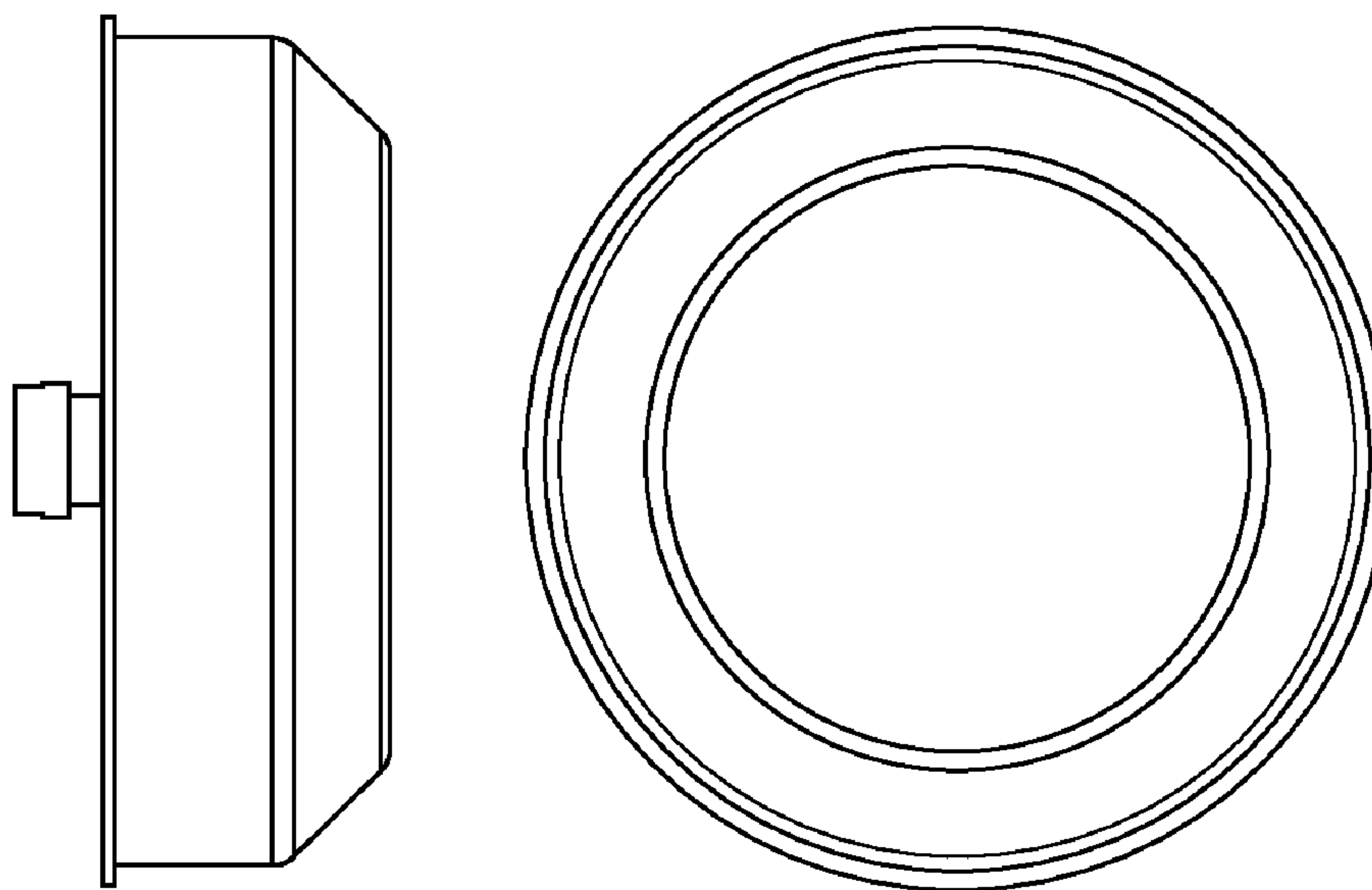
FIG. 1 is a side elevation of a journal bearing for a carrier for paper rolls showing my new design;

FIG. 2 is a side elevation thereof, rotated about 90 degrees relative to FIG. 1;

FIG. 3 is a bottom plan view thereof; and,

FIG. 4 is a top plan view thereof.

**1 Claim, 1 Drawing Sheet**



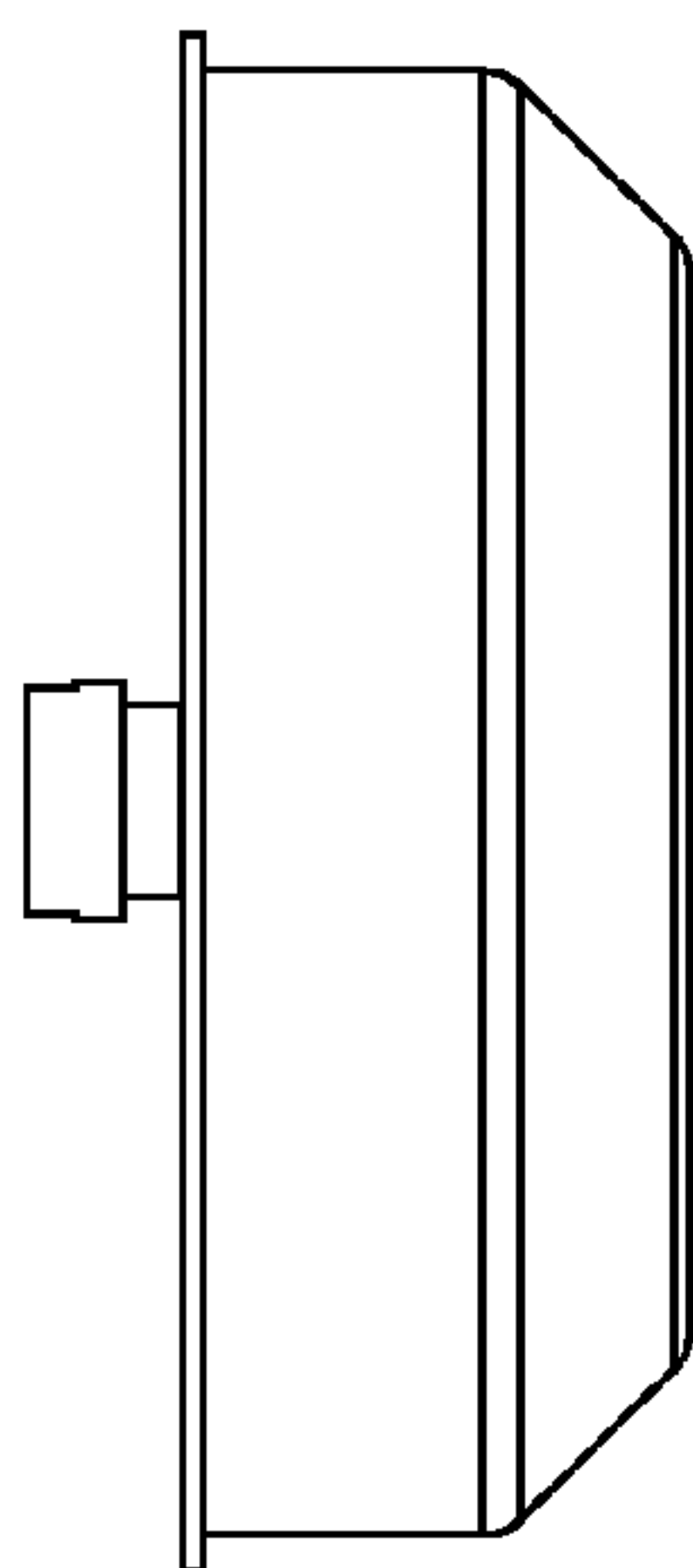


Fig. 1

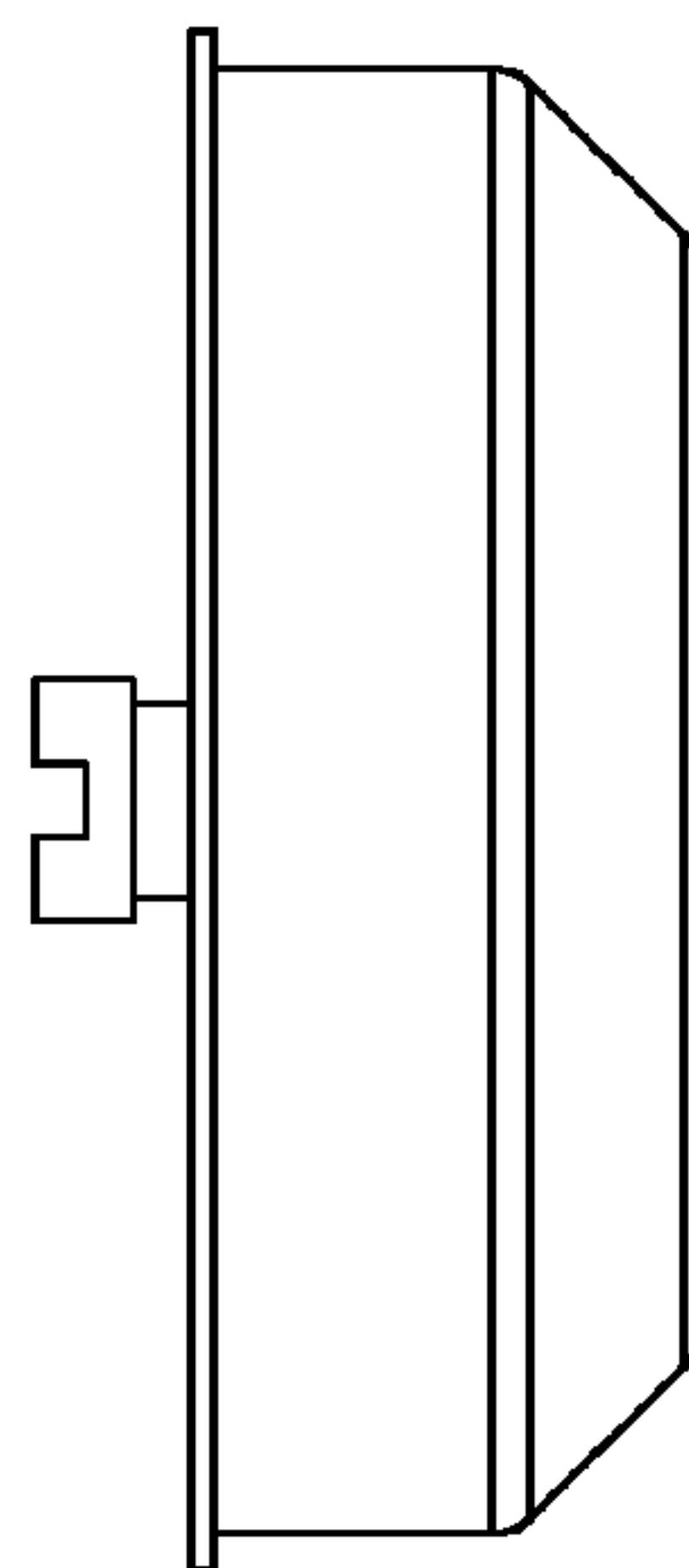


Fig. 2

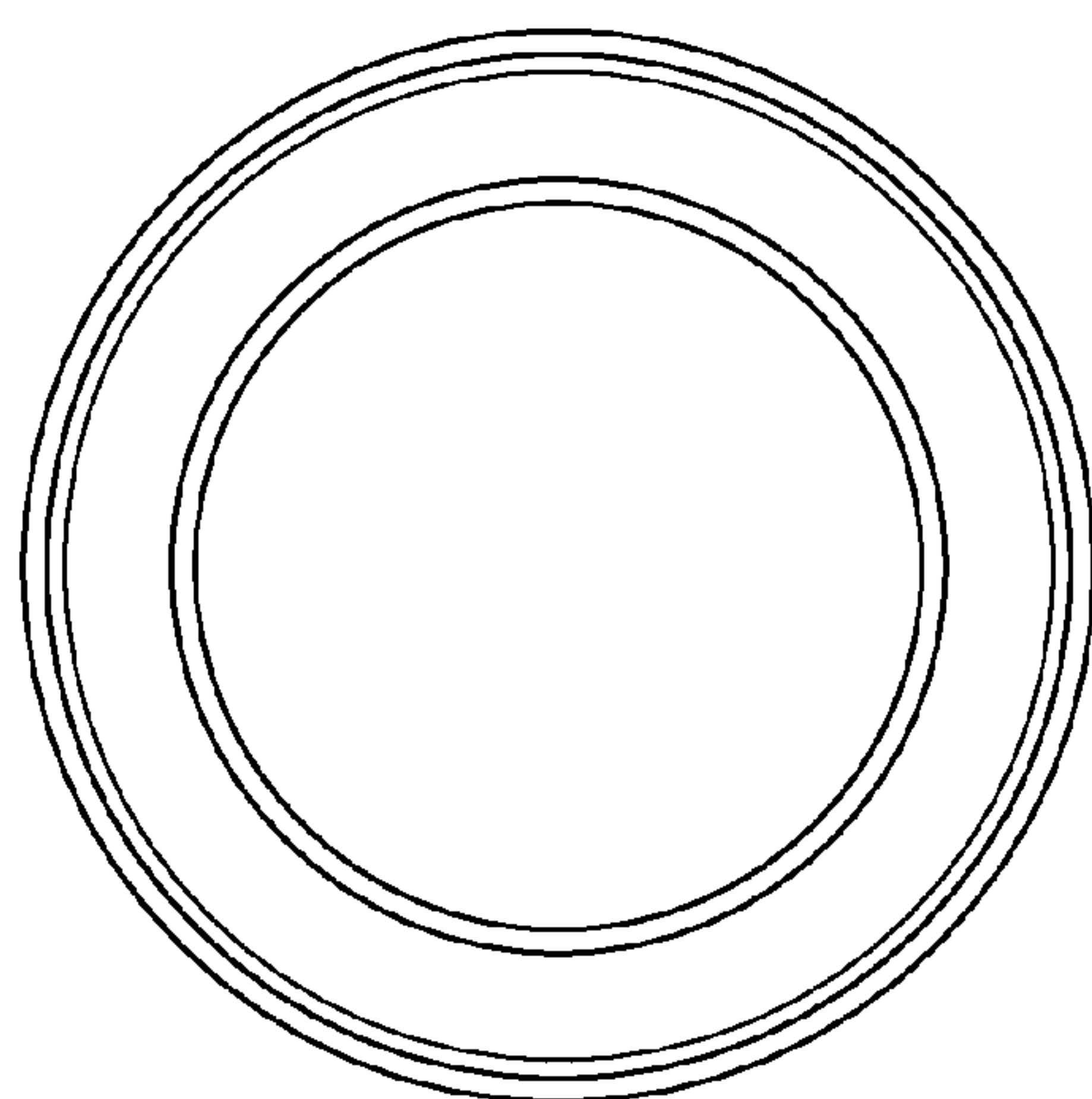


Fig. 3

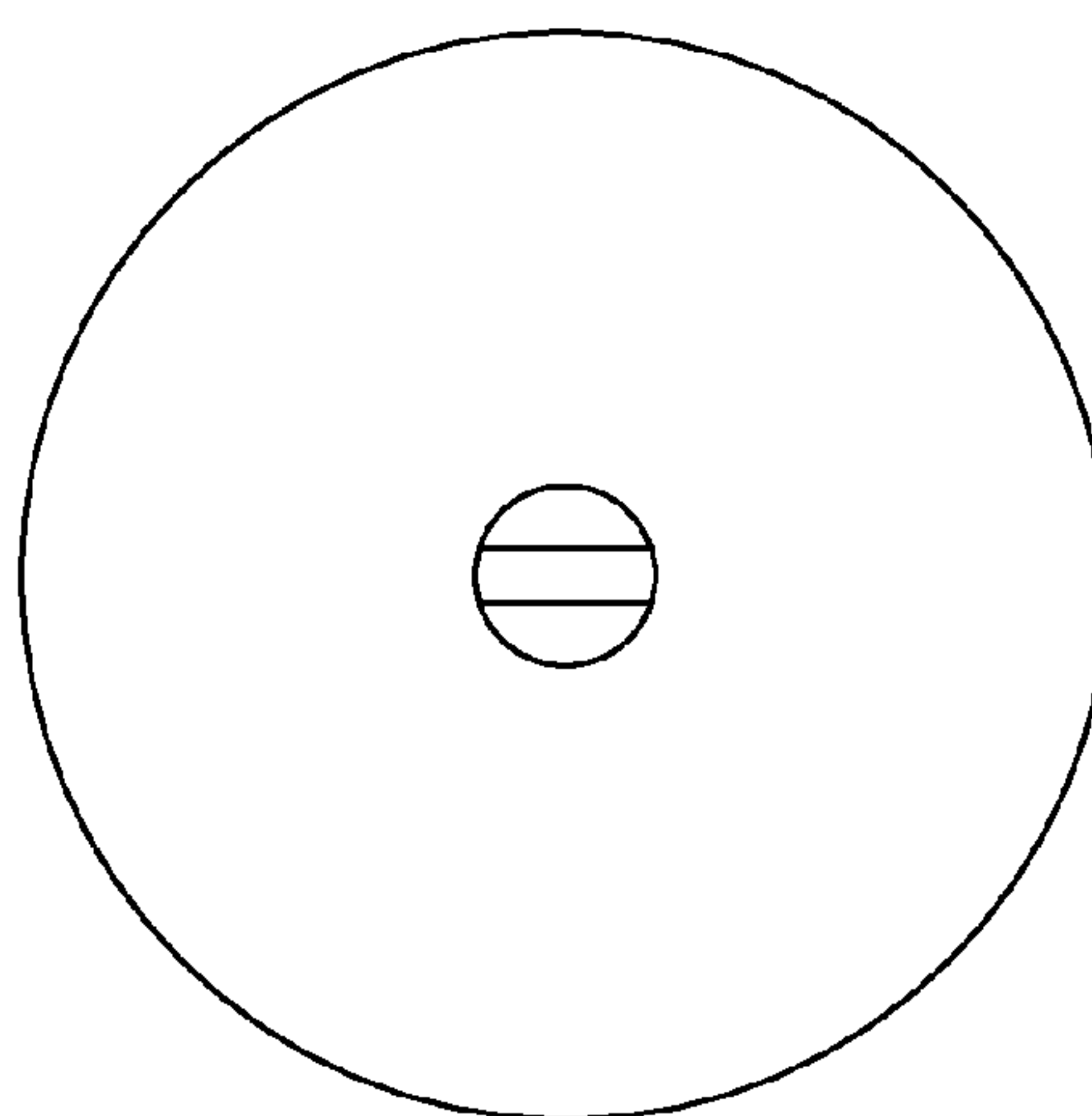


Fig. 4