



US00D624569S

(12) **United States Design Patent**  
**Norling**

(10) **Patent No.:** **US D624,569 S**

(45) **Date of Patent:** **\*\* Sep. 28, 2010**

(54) **BORE CROWN FOR ICE DRILL**

(75) Inventor: **Tore Norling**, Vamhus (SE)

(73) Assignee: **Mora of Sweden AB**, Mora (SE)

(\*\*) Term: **14 Years**

(21) Appl. No.: **29/359,684**

(22) Filed: **Apr. 14, 2010**

(51) **LOC (9) Cl.** ..... **15-09**

(52) **U.S. Cl.** ..... **D15/139**

(58) **Field of Classification Search** ..... D8/1,  
D8/3, 8, 98; D15/21, 138, 139, 148; 175/18,  
175/382, 385-388, 392, 394; 299/24

See application file for complete search history.

(56) **References Cited**

U.S. PATENT DOCUMENTS

|              |      |         |                 |         |
|--------------|------|---------|-----------------|---------|
| 957,128      | A    | 5/1910  | Vesey           |         |
| 2,709,573    | A    | 5/1955  | Reed            |         |
| 3,760,890    | A    | 9/1973  | Rantanen        |         |
| D229,848     | S    | 1/1974  | Mittelstadt     |         |
| 3,786,876    | A    | 1/1974  | Aaltonen        |         |
| D242,012     | S    | 10/1976 | Kotajarvi       |         |
| D250,388     | S    | 11/1978 | Rantanen        |         |
| 5,950,738    | A    | 9/1999  | Caswell et al.  |         |
| 6,354,347    | B1   | 3/2002  | Brewer          |         |
| 6,502,649    | B1   | 1/2003  | Havel           |         |
| D508,700     | S *  | 8/2005  | Sakai et al.    | D15/11  |
| D540,353     | S *  | 4/2007  | Bunning         | D15/29  |
| 7,669,673    | B1 * | 3/2010  | Matthias et al. | 175/323 |
| 2004/0084215 | A1 * | 5/2004  | Lu              | 175/18  |
| 2005/0205298 | A1   | 9/2005  | Kollasch et al. |         |

|              |      |         |              |         |
|--------------|------|---------|--------------|---------|
| 2006/0000647 | A1 * | 1/2006  | Burns et al. | 175/394 |
| 2006/0254818 | A1   | 11/2006 | Pepple       |         |
| 2007/0107945 | A1 * | 5/2007  | Pflieger     | 175/323 |
| 2007/0256860 | A1   | 11/2007 | Norling      |         |
| 2008/0047757 | A1 * | 2/2008  | Schwab       | 175/121 |

\* cited by examiner

*Primary Examiner*—Sandra Snapp

*Assistant Examiner*—Patricia Palasik

(74) *Attorney, Agent, or Firm*—Dilworth & Barrese LLP

(57) **CLAIM**

The ornamental design for a bore crown for ice drill, as shown and described.

**DESCRIPTION**

FIG. 1 is a left front perspective view from above of the bore crown for ice drill showing my new design;

FIG. 2 is a left front perspective view from below of the bore crown for ice drill of FIG. 1;

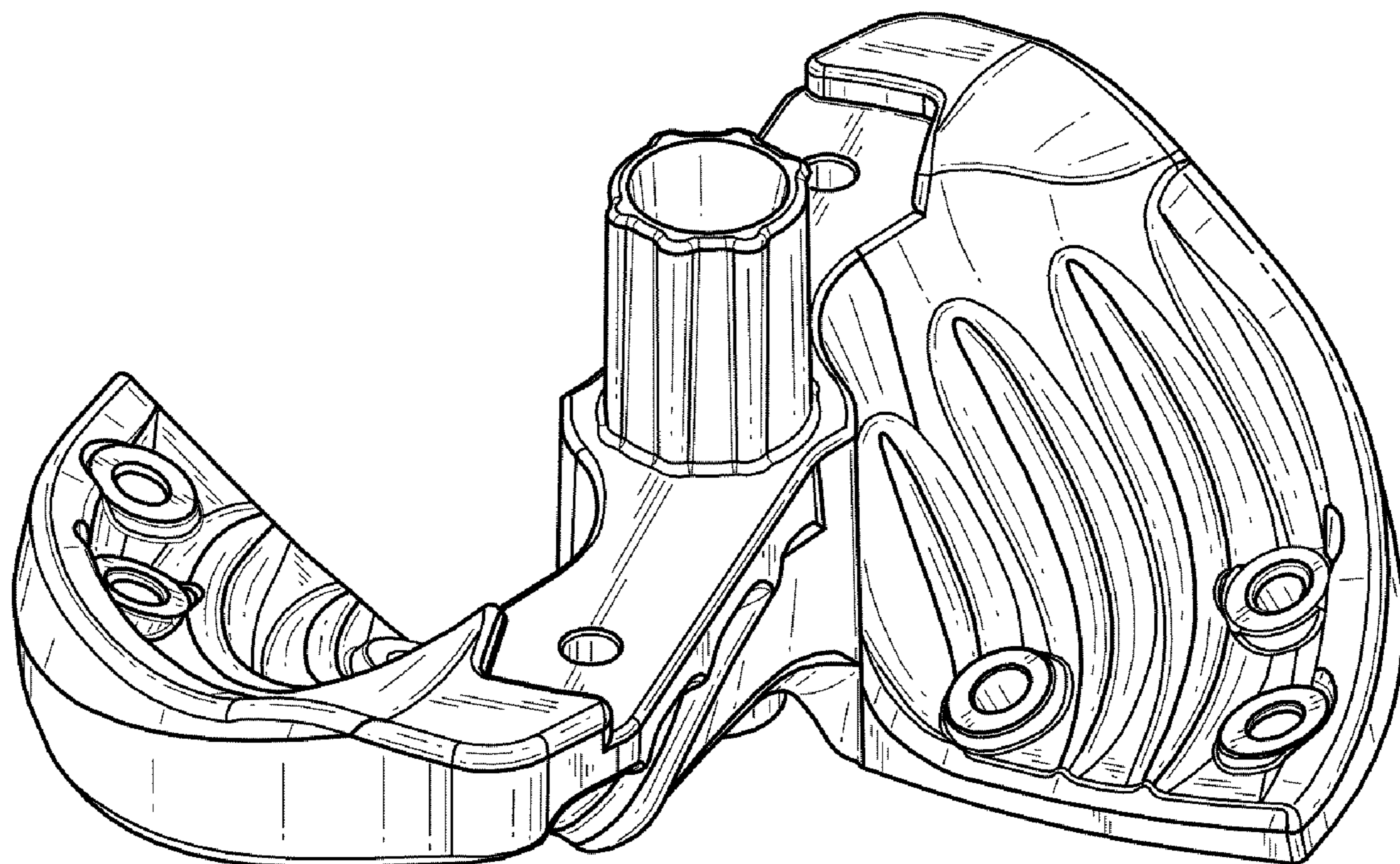
FIG. 3 is a bottom plan view of the bore crown for ice drill of FIGS. 1 and 2;

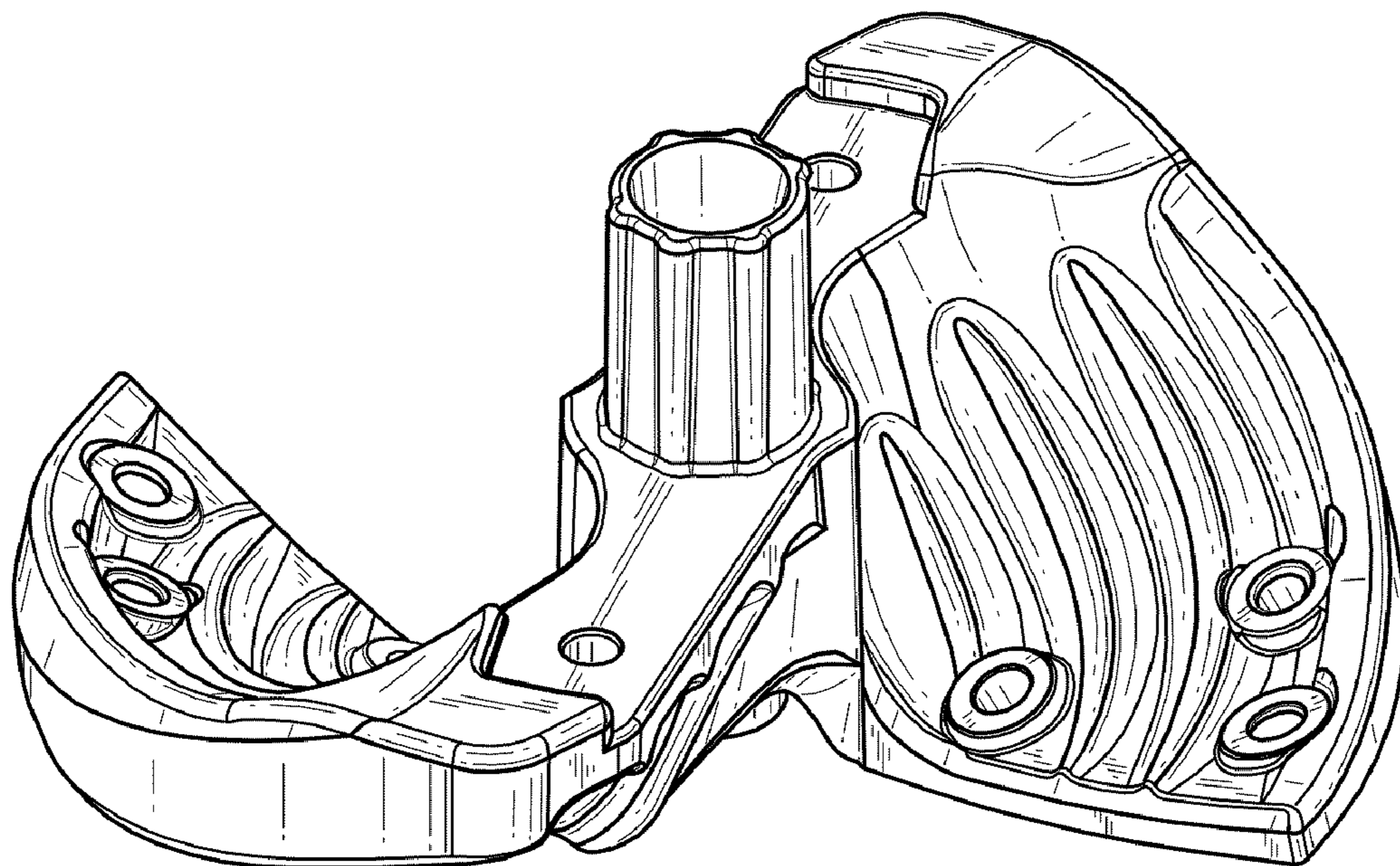
FIG. 4 is a top plan view of the bore crown for ice drill of FIGS. 1-3;

FIG. 5 is a front elevational view of the bore crown for ice drill of FIGS. 1-4, the rear elevational view being a mirror image thereof; and,

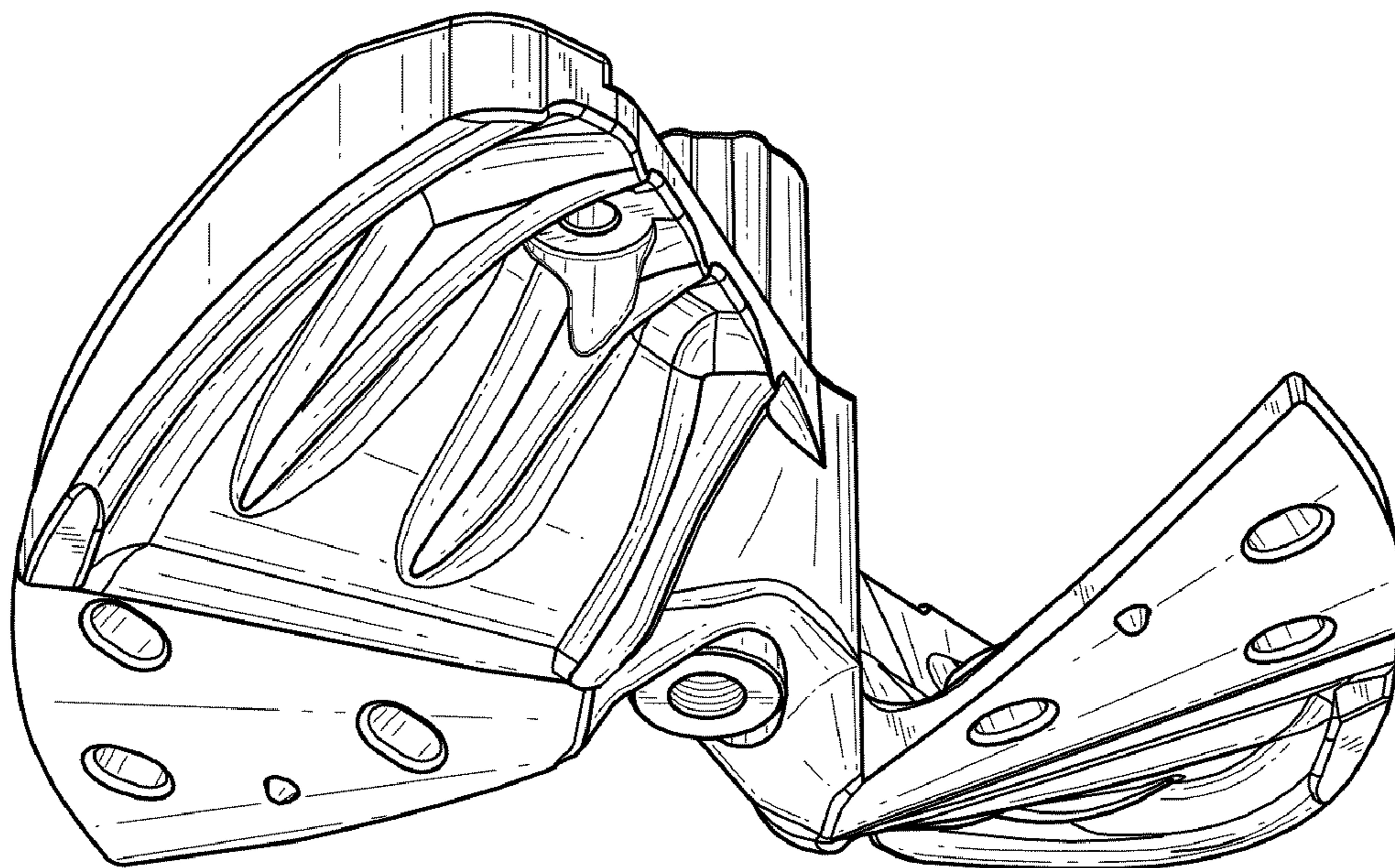
FIG. 6 is a left side elevational view of the bore crown for ice drill of FIGS. 1-5, the right side elevational view being a mirror image thereof.

**1 Claim, 3 Drawing Sheets**





*FIG. 1*



*FIG. 2*



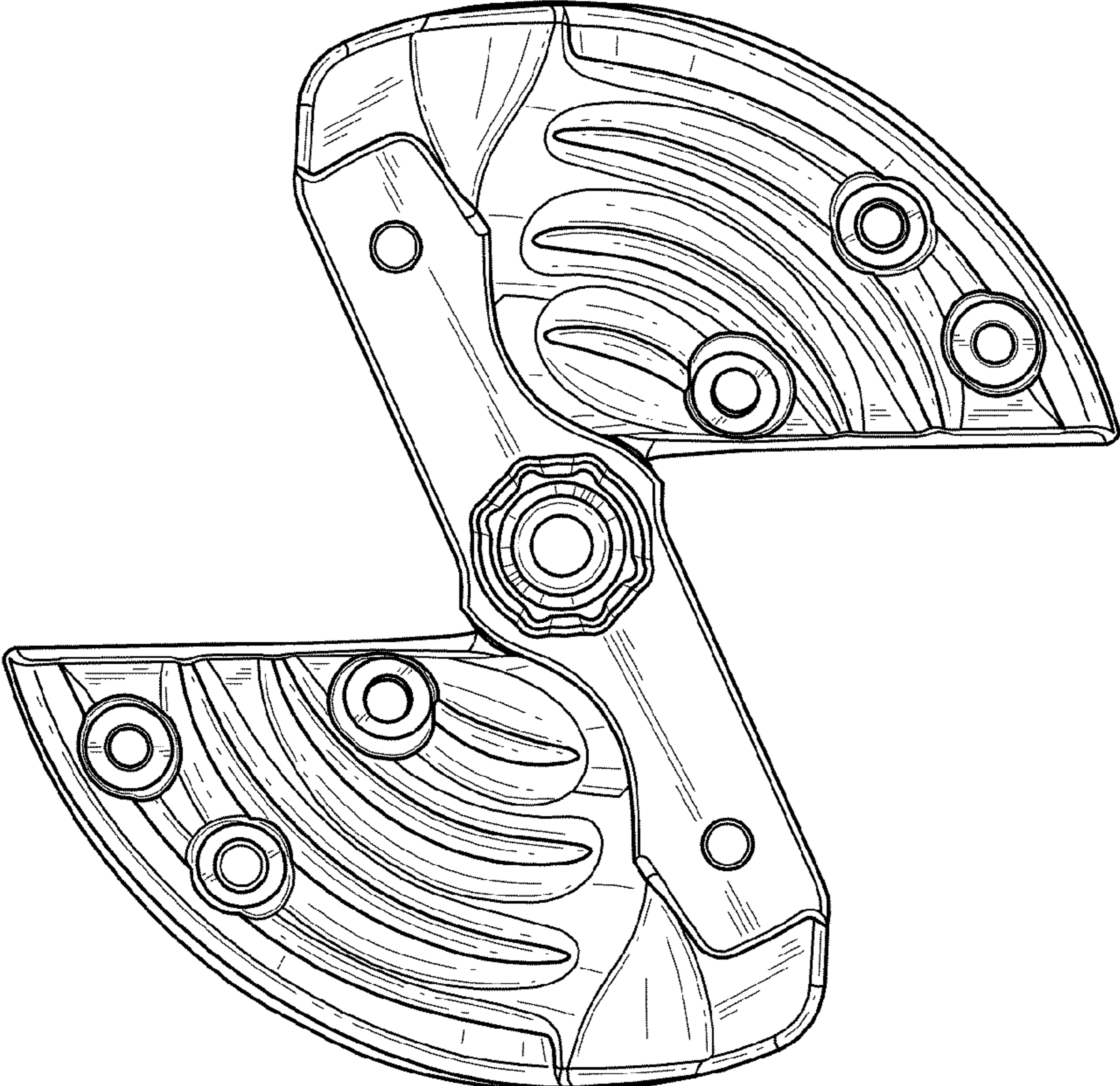


FIG. 4

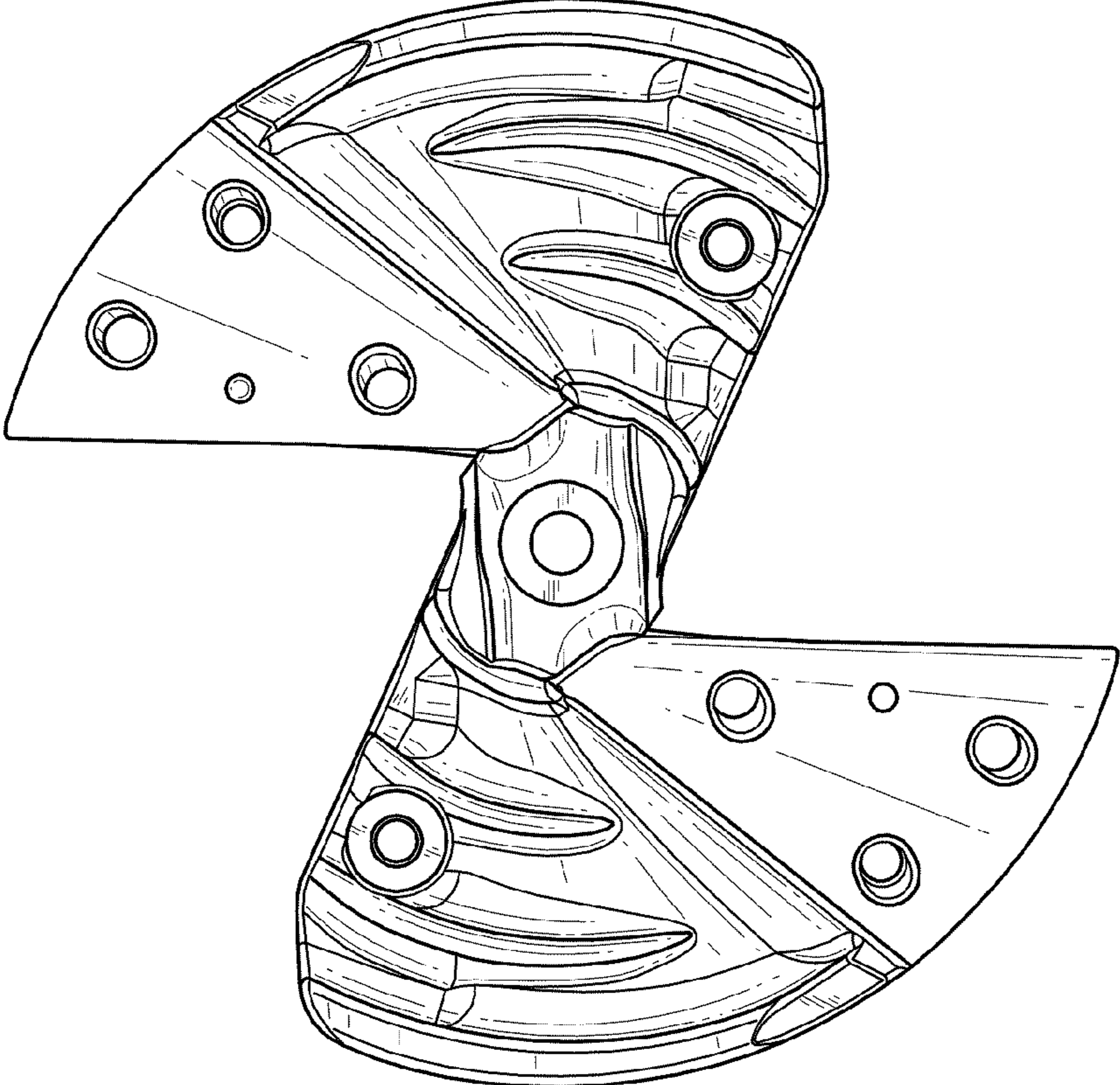
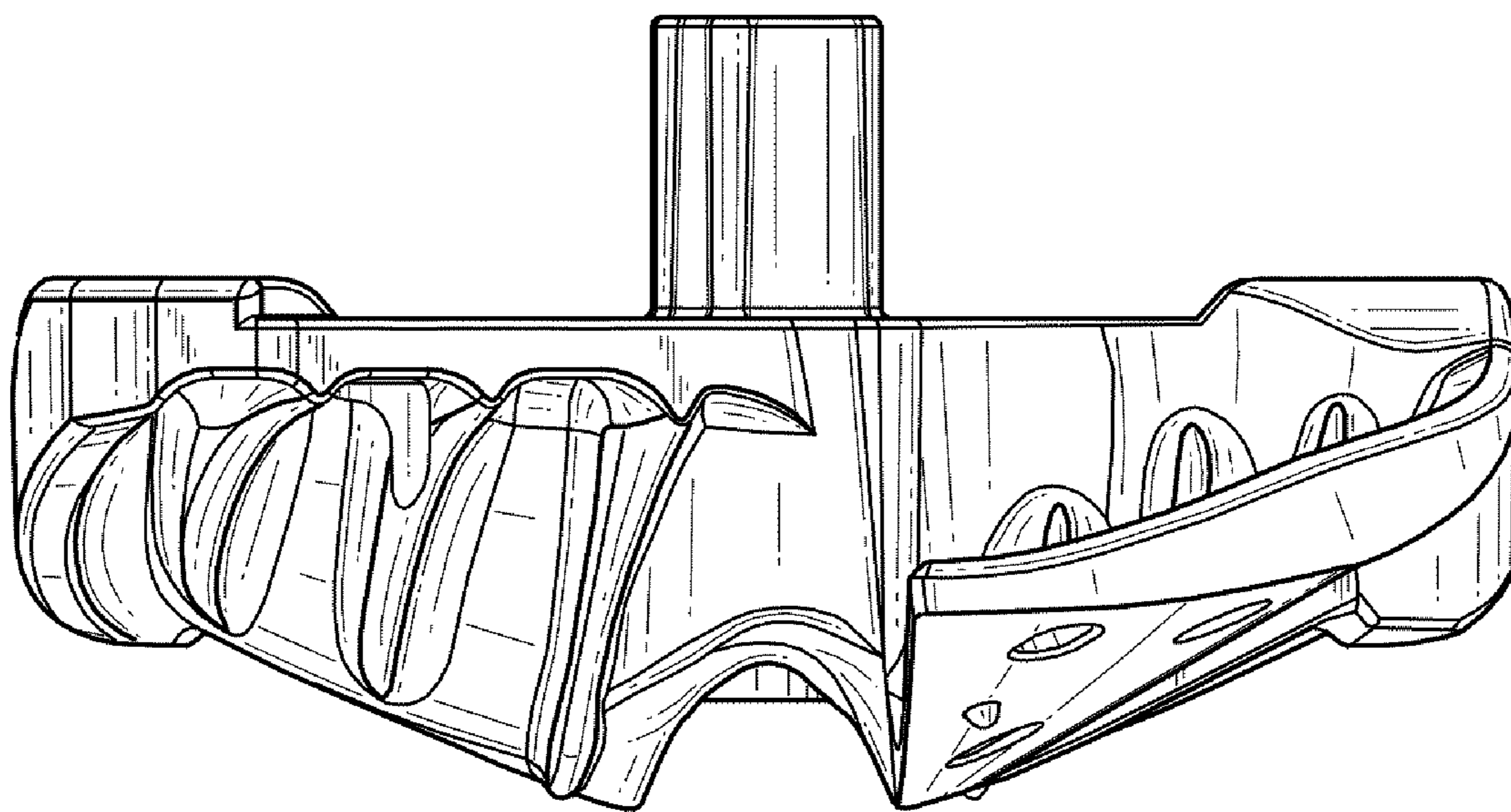
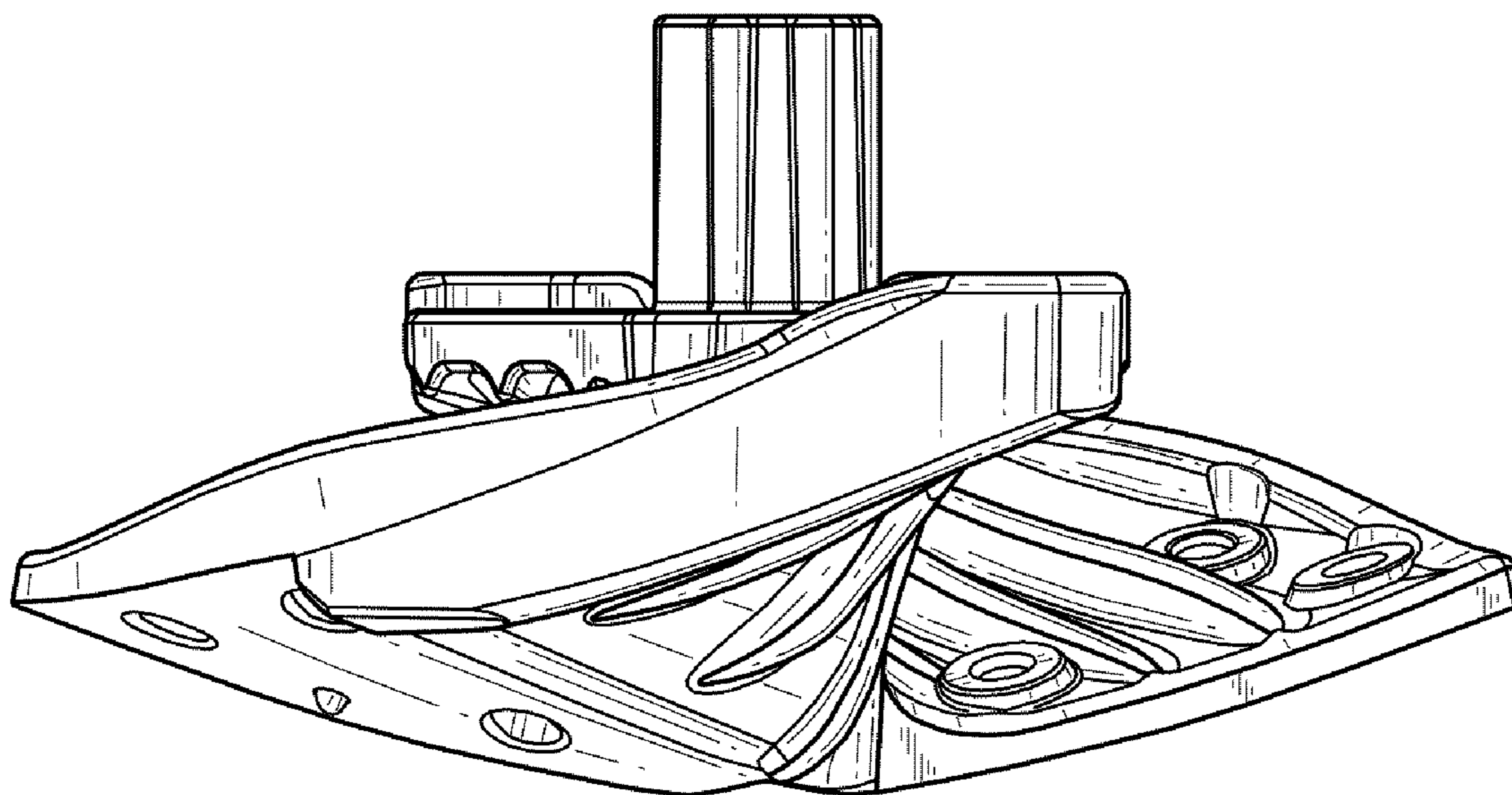


FIG. 3



*FIG. 5*



*FIG. 6*