



US00D624566S

(12) **United States Design Patent**
Patkar et al.

(10) **Patent No.:** **US D624,566 S**

(45) **Date of Patent:** **** Sep. 28, 2010**

(54) **PORTION OF A MOTOR GRADER**

(75) Inventors: **Devraj Patkar**, Decatur, IL (US);
Ashley Menges, Radnor, OH (US);
Andrew Rummer, Forsyth, IL (US)

(73) Assignee: **Caterpillar Inc**, Peoria, IL (US)

(**) Term: **14 Years**

(21) Appl. No.: **29/355,428**

(22) Filed: **Feb. 8, 2010**

(51) **LOC (9) Cl.** **12-09**

(52) **U.S. Cl.** **D15/23; D15/33**

(58) **Field of Classification Search** D15/10-12,
D15/19, 21-23, 28, 30-33; D21/537; 180/238,
180/264, 267, 420; 172/781-785, 788, 1,
172/776, 790, 430, 611, 792

See application file for complete search history.

(56) **References Cited**

U.S. PATENT DOCUMENTS

D184,216	S *	1/1959	Erlacher et al.	D15/23
D188,840	S *	9/1960	Beyer et al.	D15/23
3,527,315	A *	9/1970	Hampton	180/238
3,858,661	A *	1/1975	Hallam et al.	172/1
3,889,976	A *	6/1975	Jesswein	280/400
D238,955	S *	2/1976	Peterson	D21/537
4,213,507	A *	7/1980	Horrer et al.	172/784
D275,107	S *	8/1984	Crabiel et al.	D15/25
4,535,860	A *	8/1985	Waggoner	180/24.05
4,679,634	A *	7/1987	Bulmahn	172/250
4,696,486	A *	9/1987	Ruhter	280/400
5,474,147	A *	12/1995	Yesel et al.	180/197
6,230,818	B1 *	5/2001	Slunder	172/789
D500,056	S *	12/2004	DeYoung et al.	D15/33
6,854,523	B2 *	2/2005	Takahashi	172/3
D541,826	S	5/2007	Brush et al.		
D548,752	S	8/2007	Merghani et al.		
D549,743	S	8/2007	Merghani et al.		
D557,711	S	12/2007	Merghani et al.		
D557,715	S	12/2007	Merghani et al.		

D559,869	S	1/2008	Kelley et al.		
D568,906	S	5/2008	Merghani et al.		
D593,582	S *	6/2009	Ono et al.	D15/23
D594,035	S *	6/2009	Ono et al.	D15/23
D594,479	S	6/2009	Greuel et al.		
D597,106	S	7/2009	Kelley et al.		
2002/0060081	A1 *	5/2002	Mcgugan	172/4.5
2003/0221845	A1 *	12/2003	Takahashi	172/3
2004/0149463	A1 *	8/2004	Maeda et al.	172/297
2005/0252669	A1 *	11/2005	LaReau et al.	172/776

OTHER PUBLICATIONS

CAT, 120M Motor Grader, Catalog, pp. 1-28, 2009, U.S.A.

CAT, 140M Motor Grader, Catalog, pp. 1-28, 2009, U.S.A.

* cited by examiner

Primary Examiner—Mark A Goodwin

(74) *Attorney, Agent, or Firm*—Michael Braunstein

(57) **CLAIM**

The ornamental design for a portion of a motor grader, as shown and described.

DESCRIPTION

FIG. 1 is a right, front perspective view of a portion of a motor grader showing our new design;

FIG. 2 is a right, rear perspective view thereof;

FIG. 3 is a left, front perspective view thereof;

FIG. 4 is a left, rear perspective view thereof;

FIG. 5 is a front view thereof;

FIG. 6 is a rear view thereof;

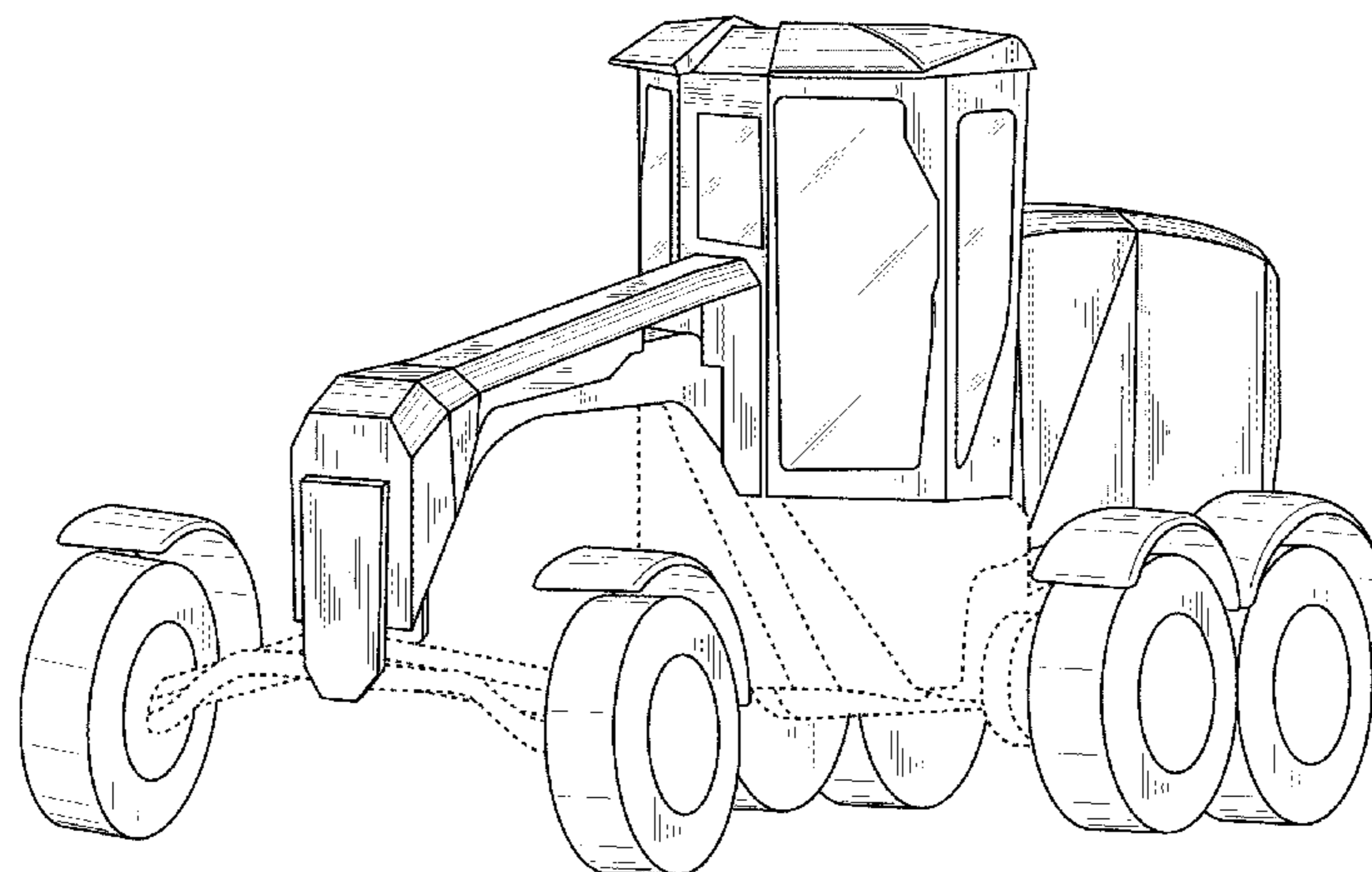
FIG. 7 is a right side view thereof;

FIG. 8 is a left side view thereof; and,

FIG. 9 is a top view thereof.

The broken lines of the figures showing additional portions of the motor grader are included for the purpose of illustrating environmental structure and form no part of the claimed design.

1 Claim, 8 Drawing Sheets



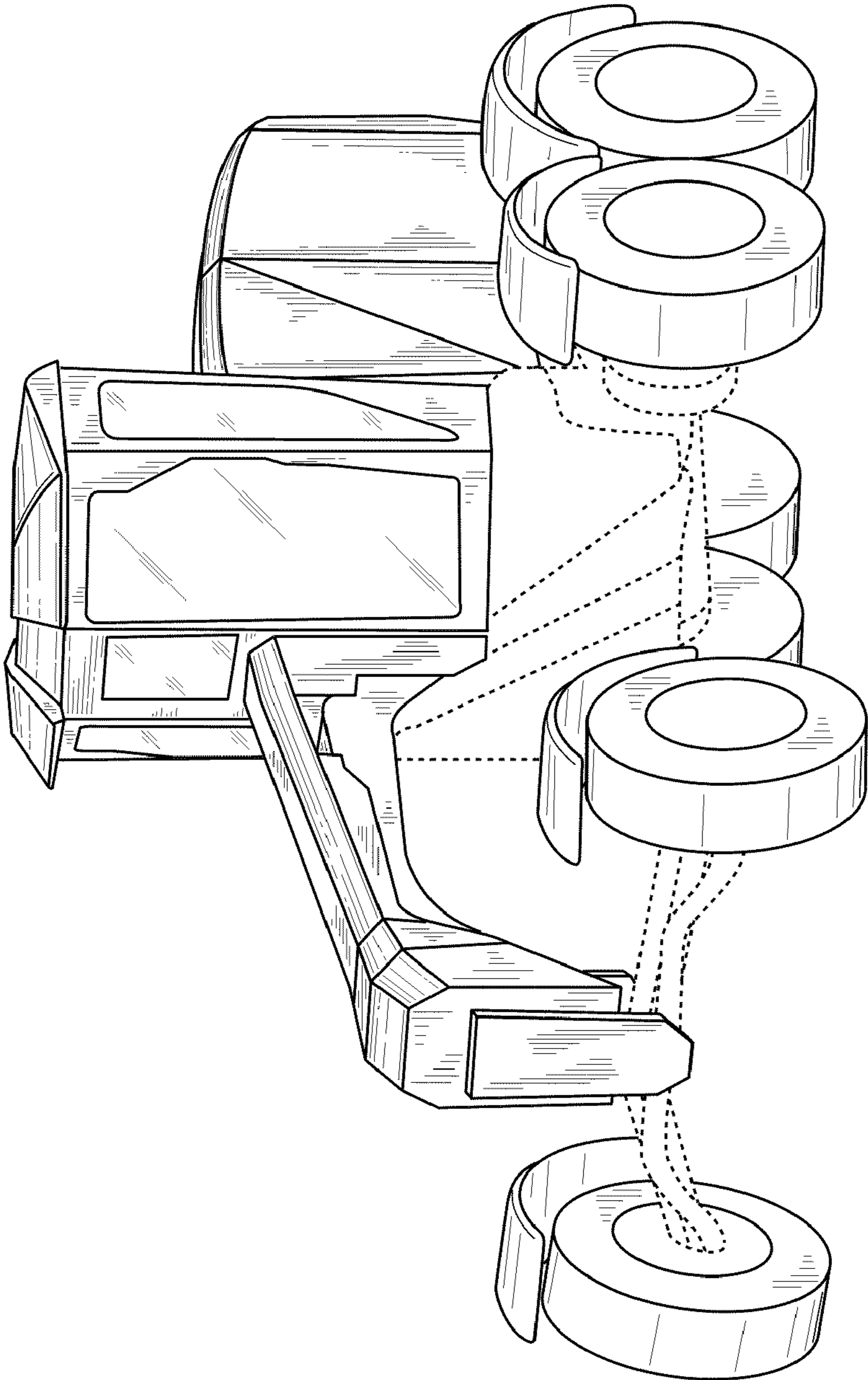


FIG. 1

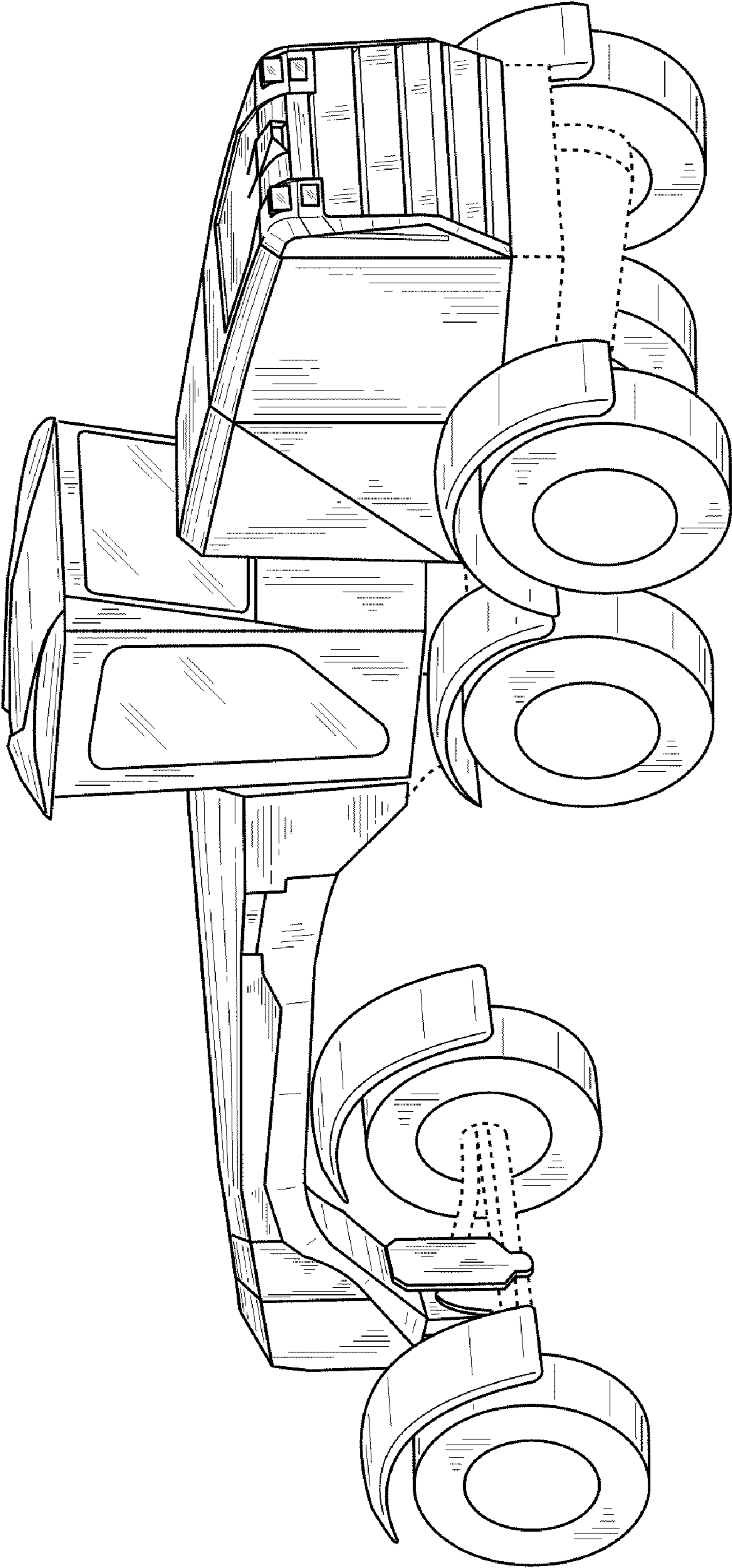


FIG. 2

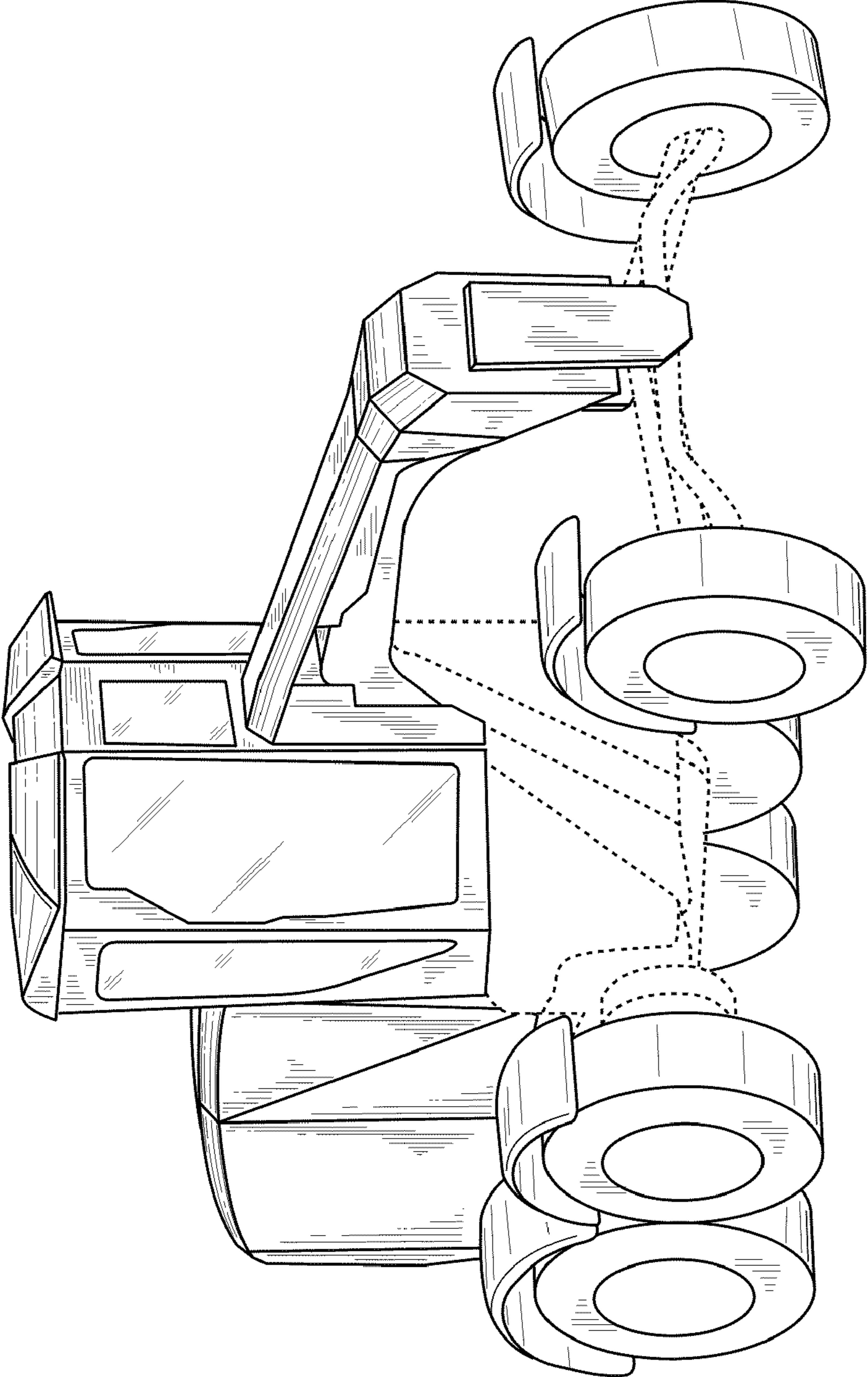


FIG. 3

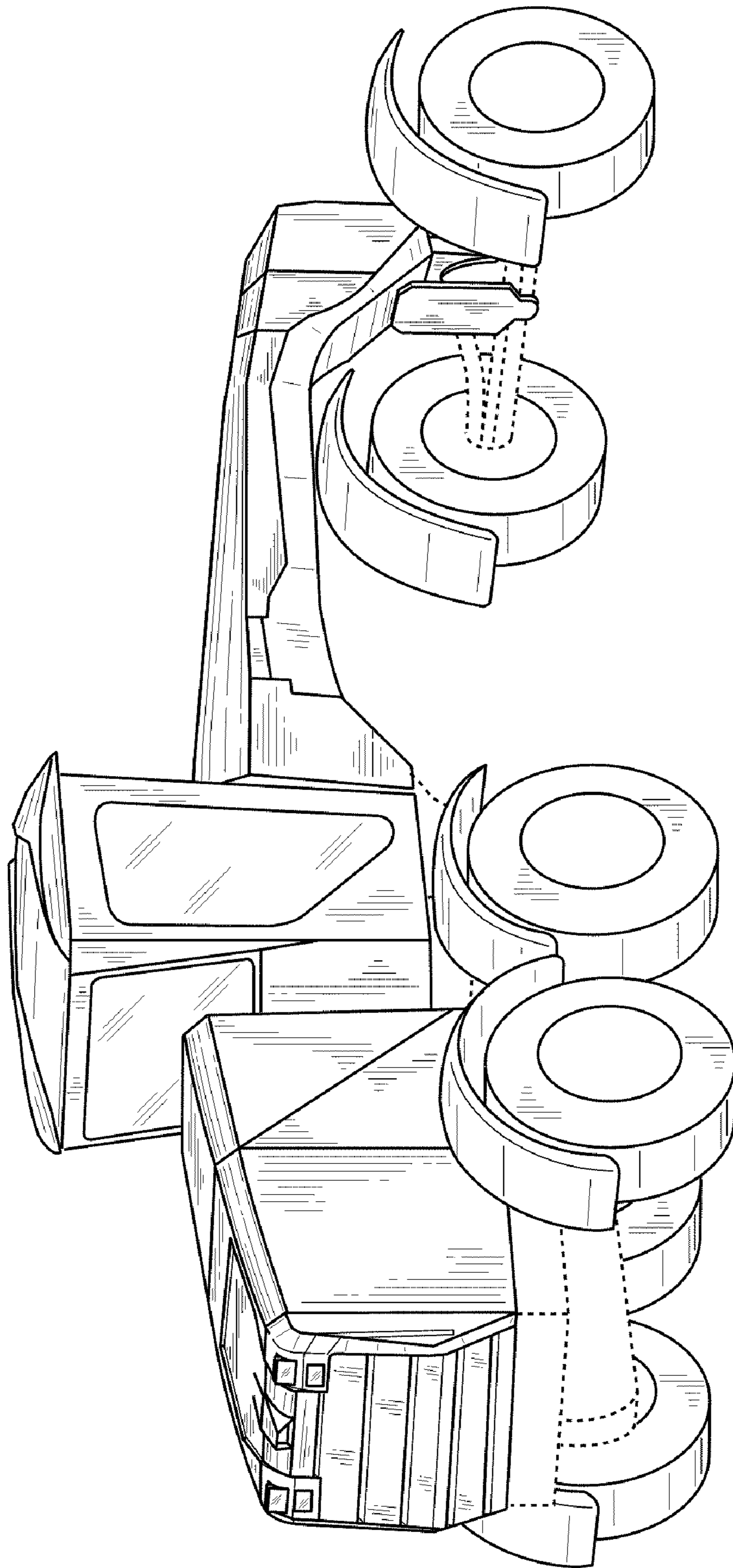


FIG. 4

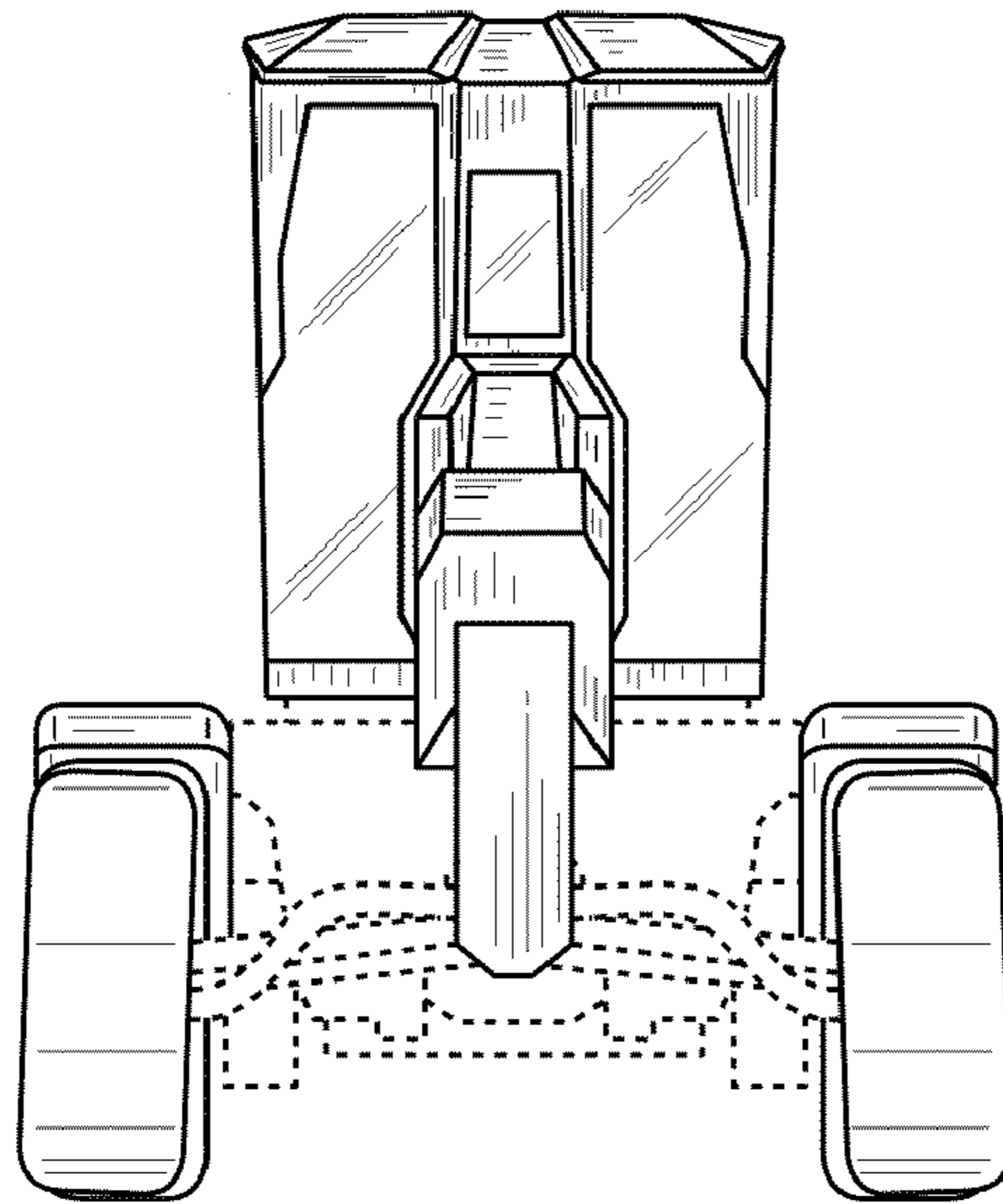


FIG. 5

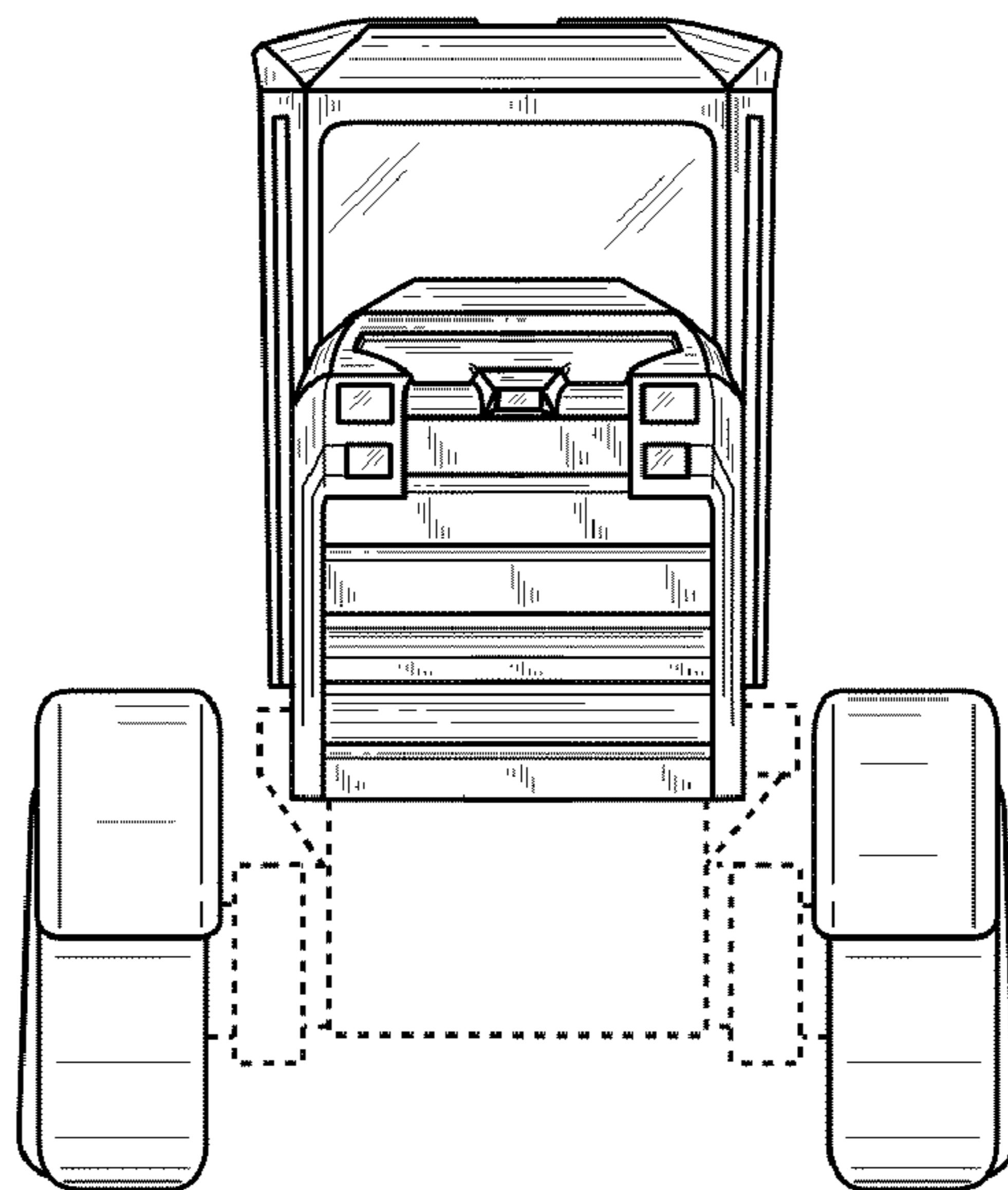


FIG. 6

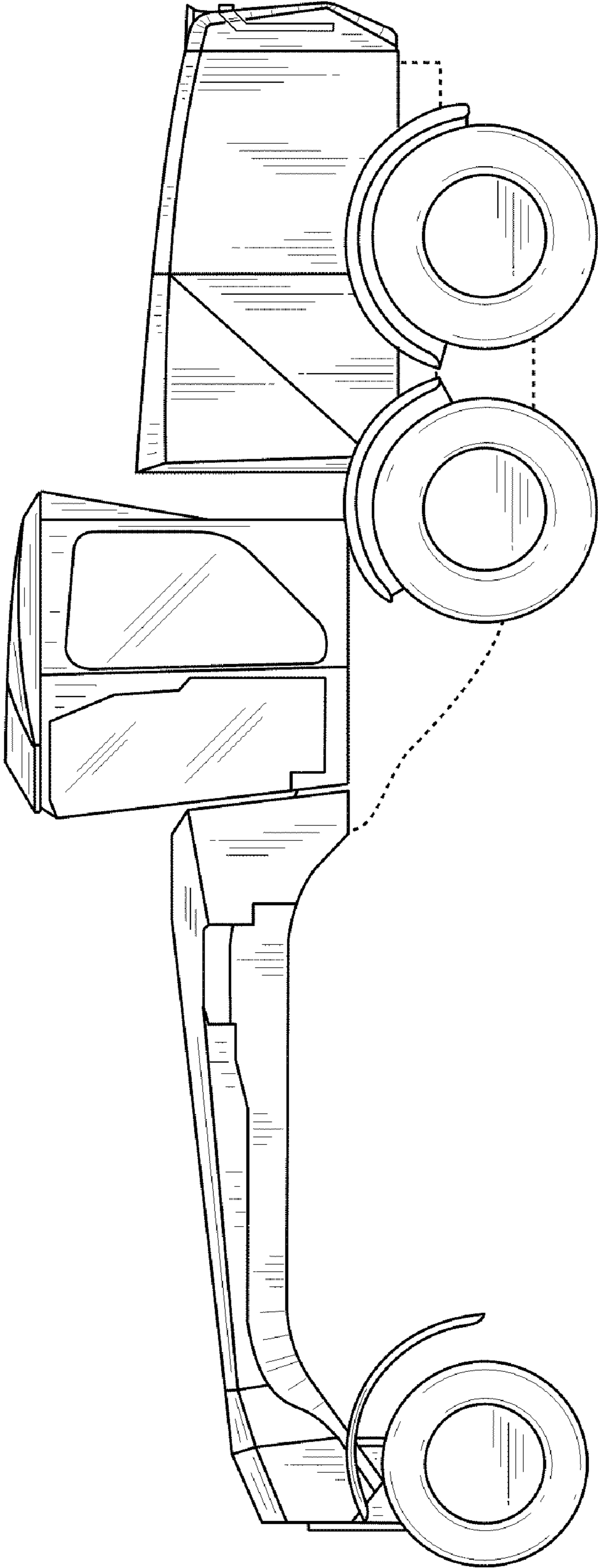


FIG. 7

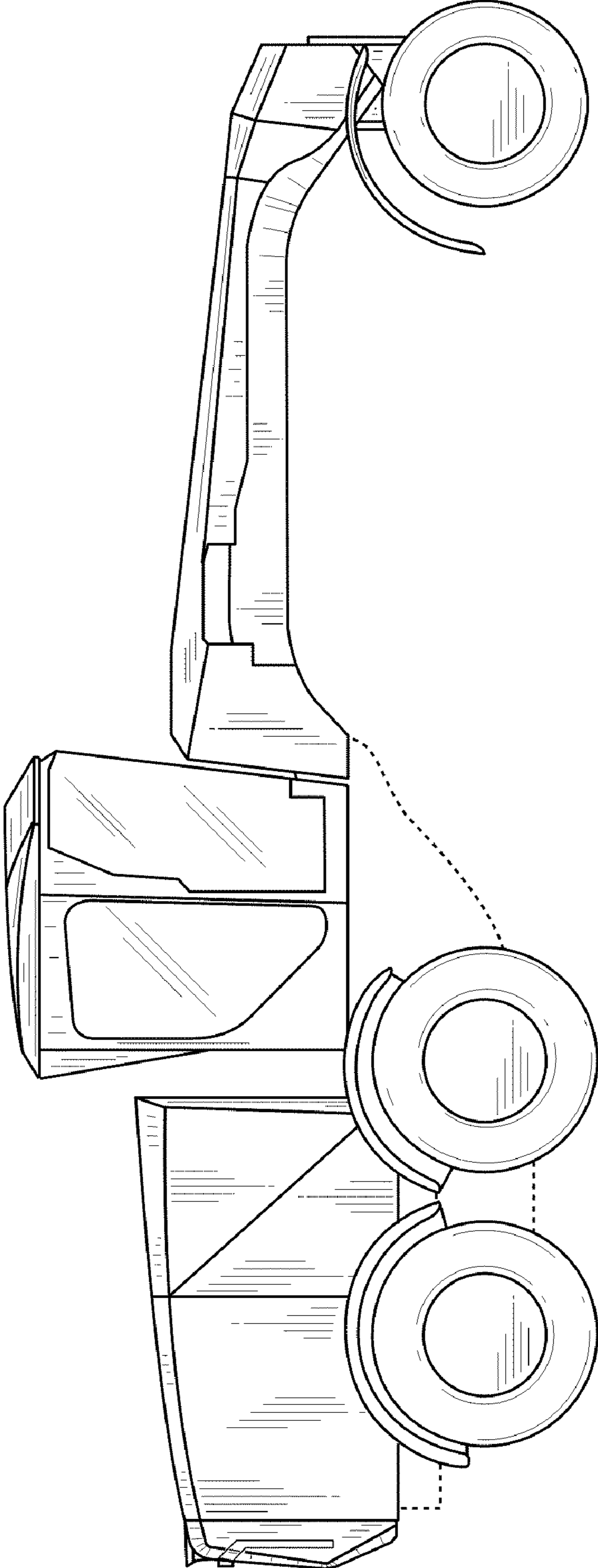


FIG. 8

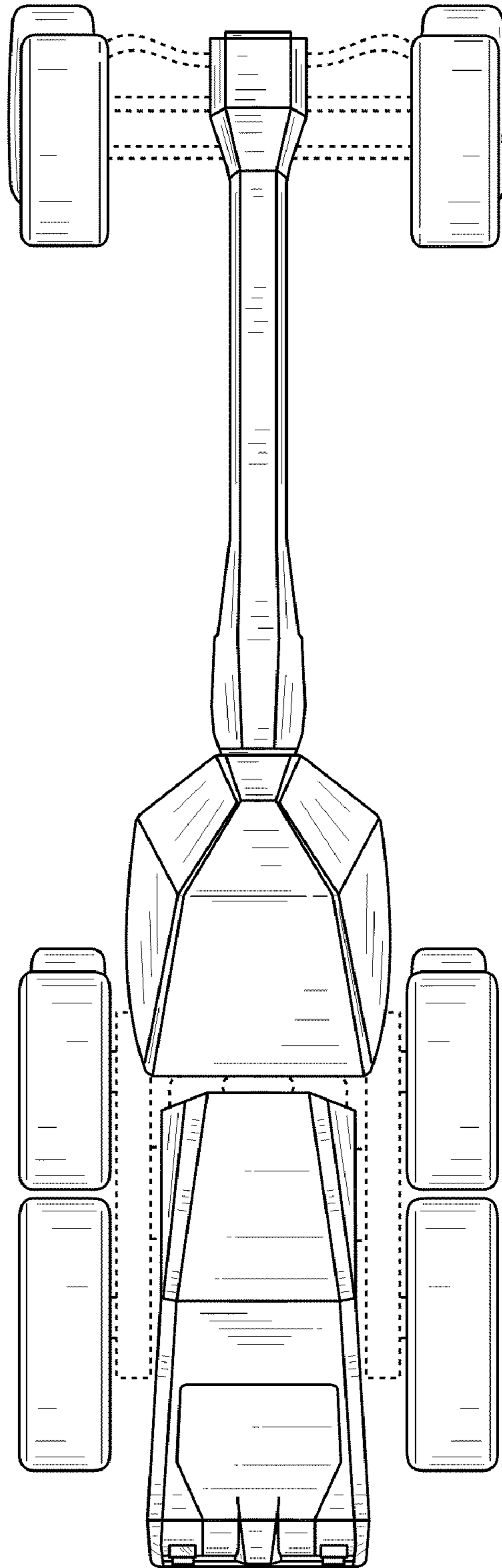


FIG. 9