



US00D624563S

(12) **United States Design Patent**
Lowe et al.

(10) **Patent No.:** **US D624,563 S**

(45) **Date of Patent:** **** Sep. 28, 2010**

(54) **WALK BEHIND MOWER HANDLE**

(75) Inventors: **William Lowe**, Stockbridge, GA (US);
Brian Grewe, Covington, GA (US);
Stephen C. Price, Barnesville, GA (US);
David Tiedeman, Eatonton, GA (US)

(73) Assignee: **Briggs & Stratton Corp.**, Wauwatosa,
WI (US)

(**) Term: **14 Years**

(21) Appl. No.: **29/358,430**

(22) Filed: **Mar. 26, 2010**

(51) **LOC (9) Cl.** **15-03**

(52) **U.S. Cl.** **D15/18**

(58) **Field of Classification Search** D15/14,
D15/17, 18; 123/195.3, 198 E, 306, 308,
123/657, 661, 667; 56/320.1, 320.2, 16.7,
56/17.4, 17.5, 10.5, 10.8, 11.8, 11.9, 17.1,
56/202, 255

See application file for complete search history.

(56) **References Cited**

U.S. PATENT DOCUMENTS

4,531,347	A *	7/1985	Schutz	56/10.5
D295,865	S *	5/1988	Rosenblad	D15/18
D320,731	S *	10/1991	Pink et al.	D8/107
5,251,711	A *	10/1993	Meyer et al.	180/19.1
D390,576	S *	2/1998	Shimamura	D15/14
D424,578	S *	5/2000	Friberg et al.	D15/18

6,082,083	A *	7/2000	Stalpes et al.	56/11.6
D544,501	S *	6/2007	Chung	D15/14
D600,254	S *	9/2009	Lindars et al.	D15/14
D610,167	S *	2/2010	Martin et al.	D15/14
2010/0115901	A1 *	5/2010	Hurst et al.	56/2

* cited by examiner

Primary Examiner—Mark A Goodwin

(74) *Attorney, Agent, or Firm*—Andrus, Scales, Starke &
Sawall, LLP

(57) **CLAIM**

The ornamental design for a walk behind mower handle, as shown and described.

DESCRIPTION

FIG. 1 is a front perspective view of a walk behind mower handle showing our new design in use condition;

FIG. 2 is an enlarged top plan view thereof;

FIG. 3 is a right side elevation view thereof;

FIG. 4 is a left side elevation view thereof;

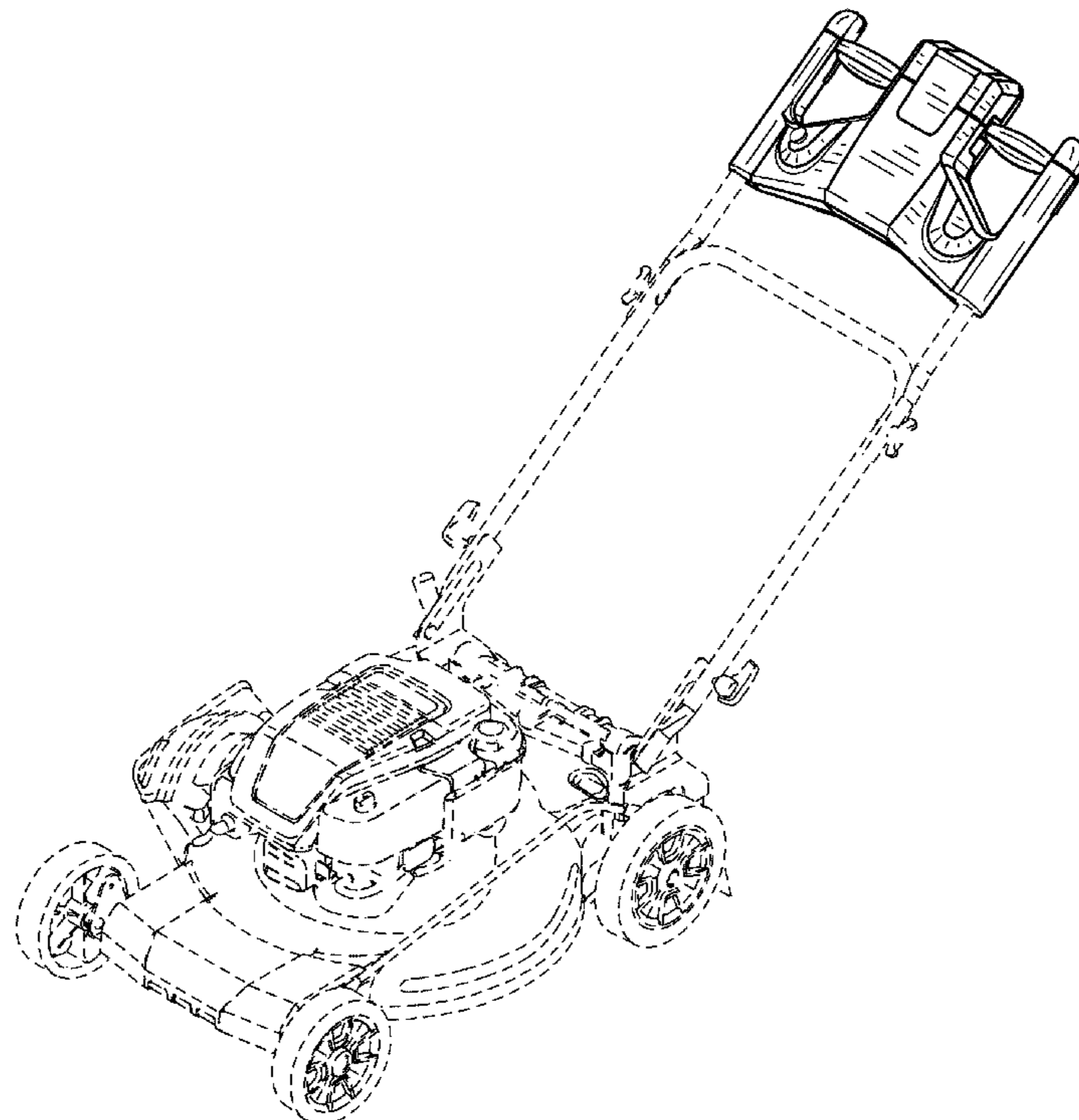
FIG. 5 is a front elevation view thereof;

FIG. 6 is a rear elevation view thereof; and,

FIG. 7 is a bottom plan view thereof.

The broken lines shown in the drawing figures are for the purpose of illustrating environmental structure and form no part of the claimed design.

1 Claim, 6 Drawing Sheets



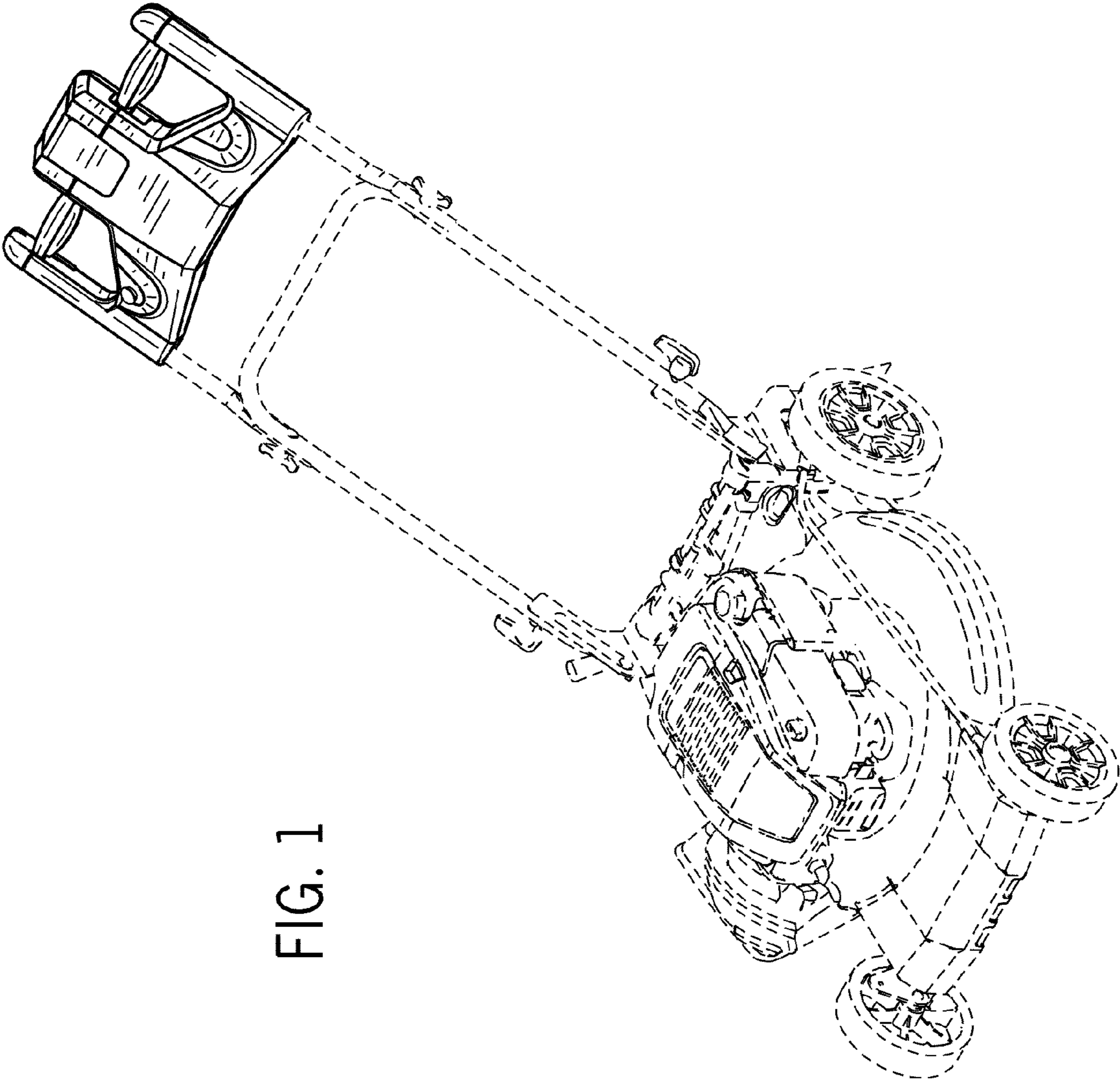


FIG. 1

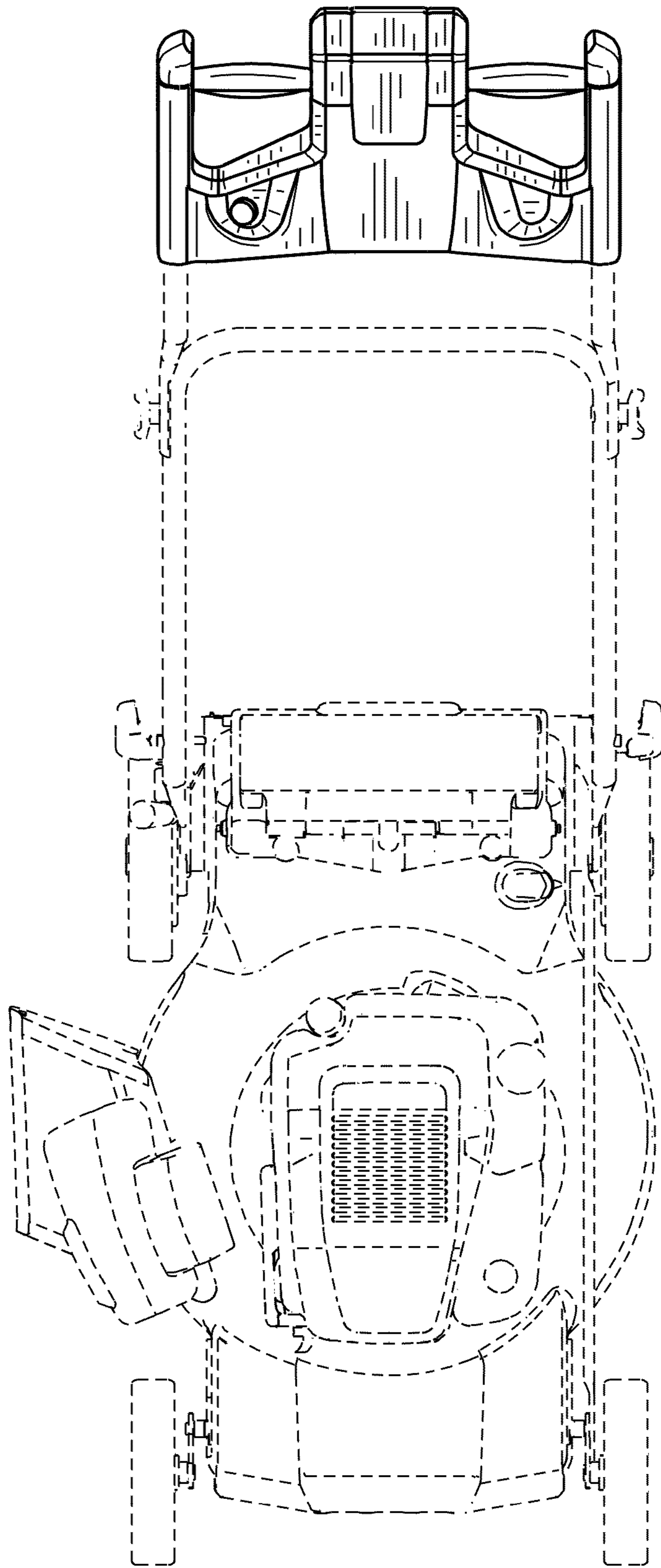


FIG. 2

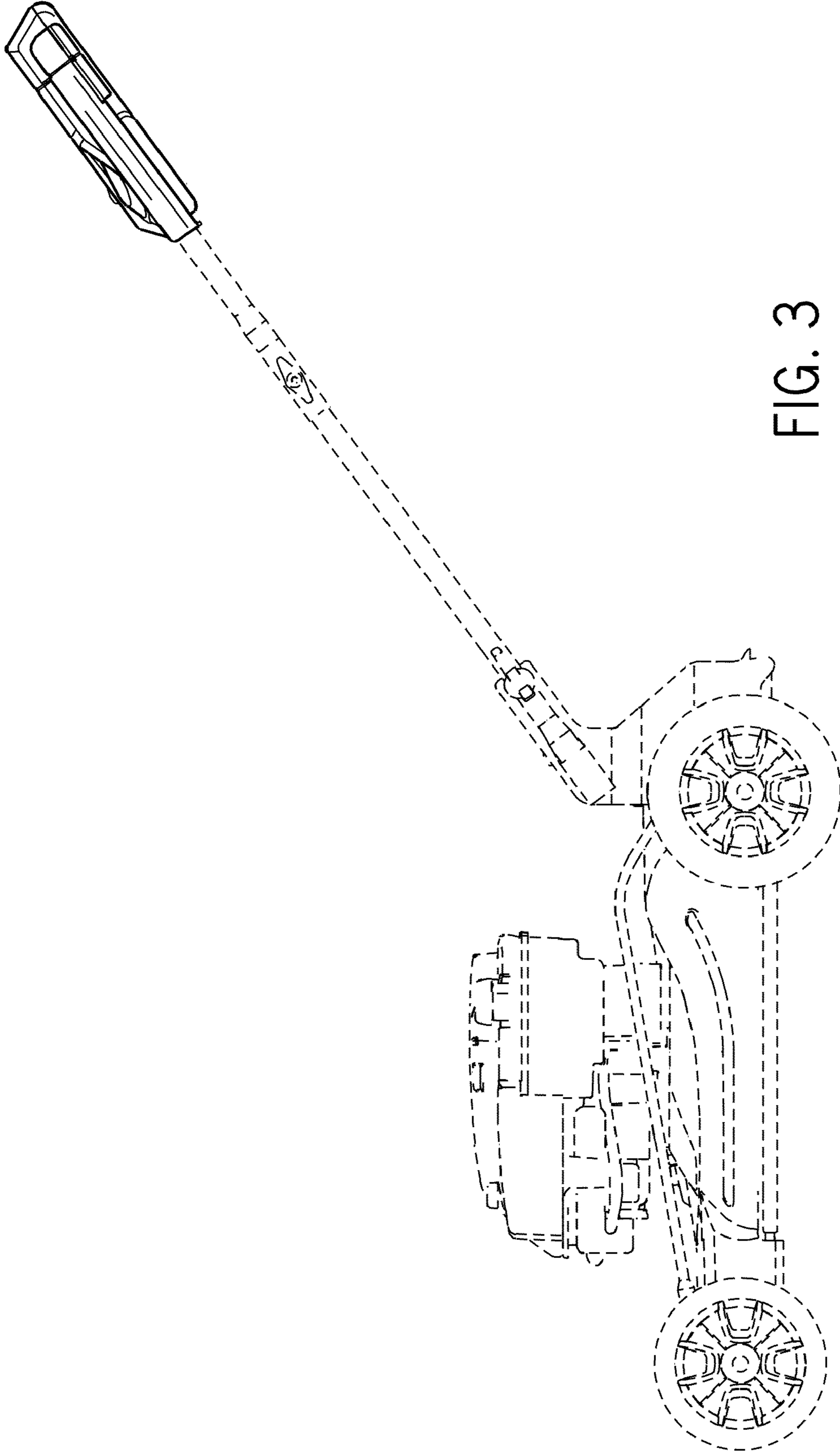


FIG. 3

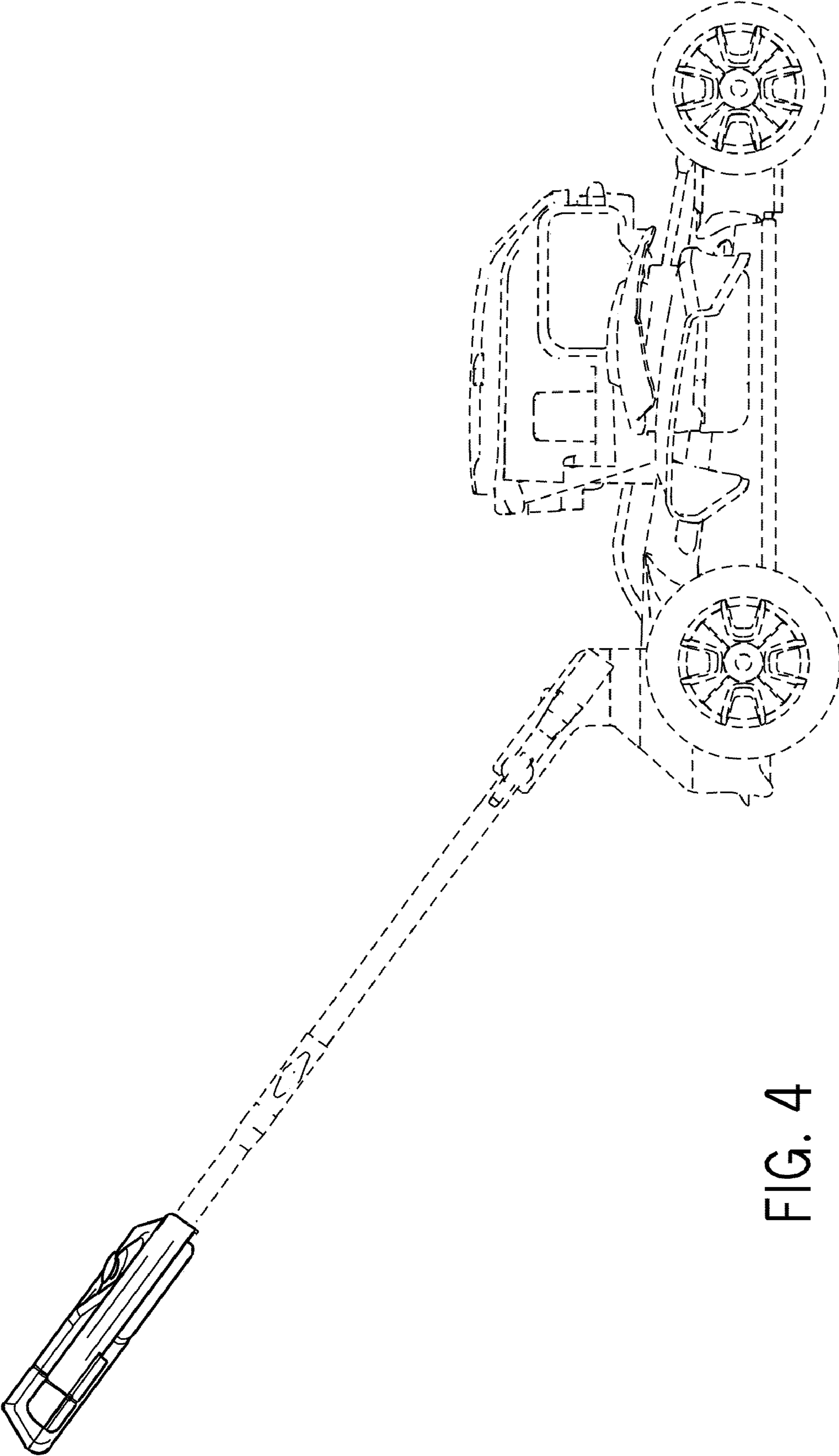


FIG. 4

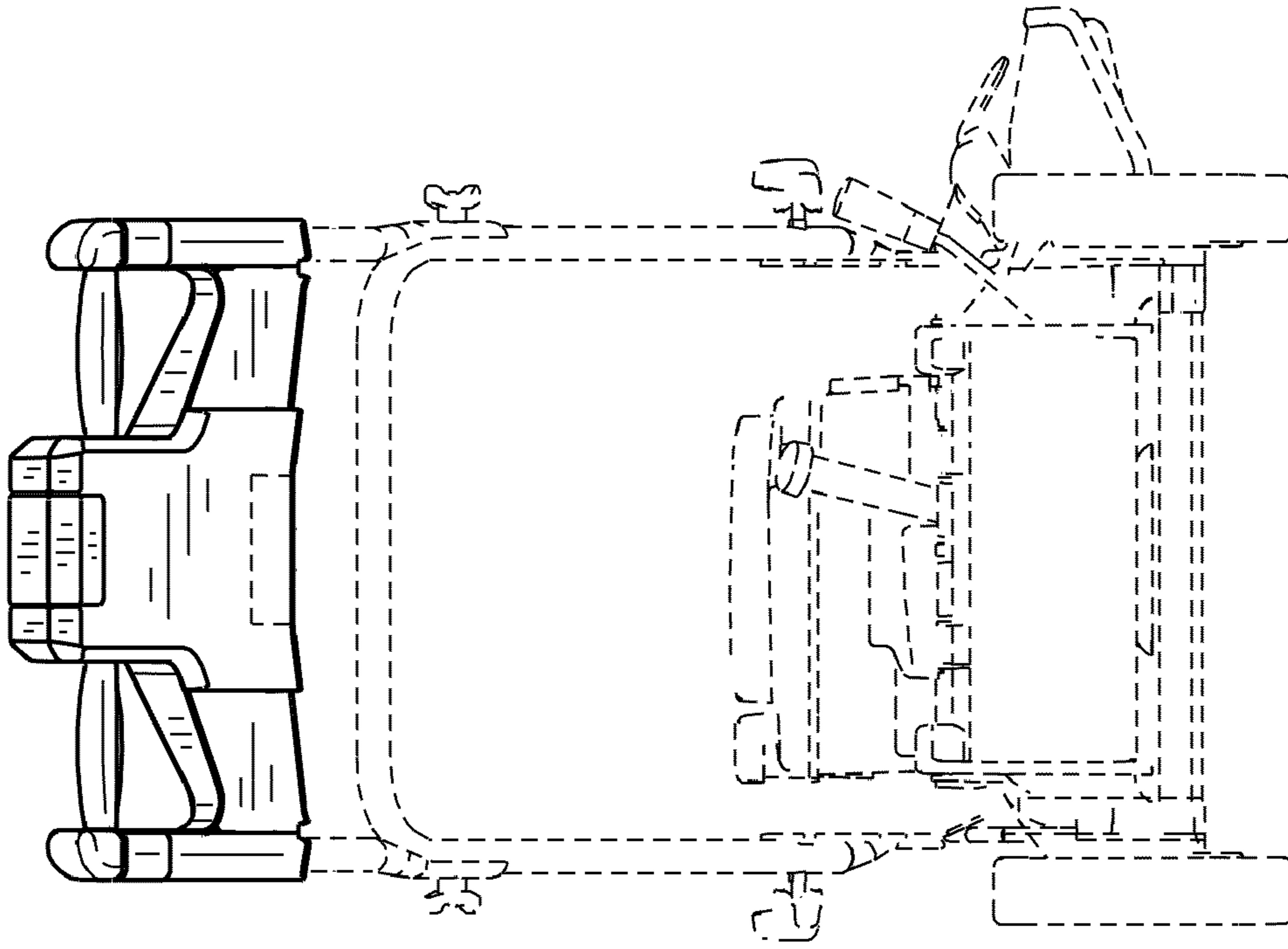


FIG. 6

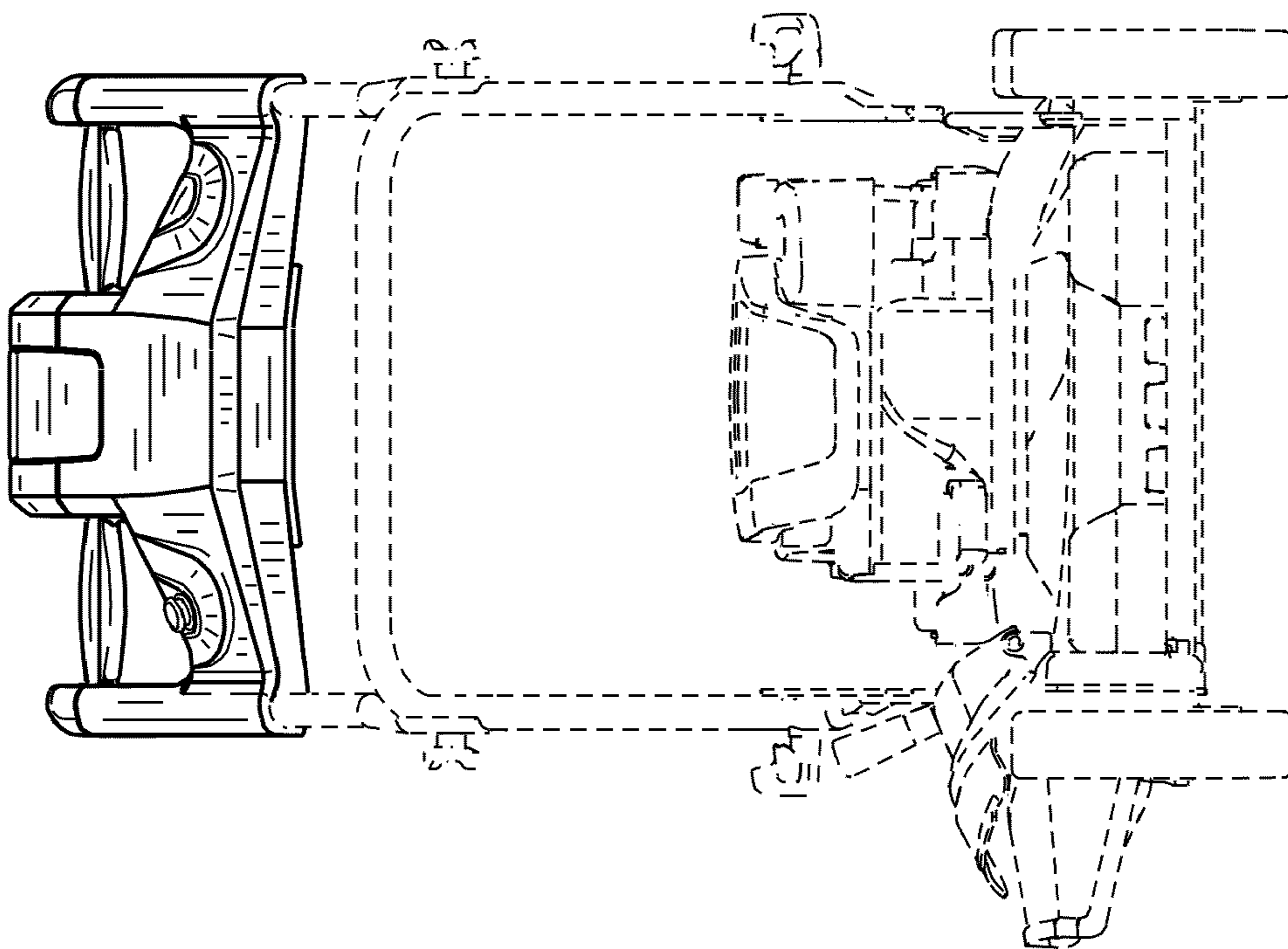


FIG. 5

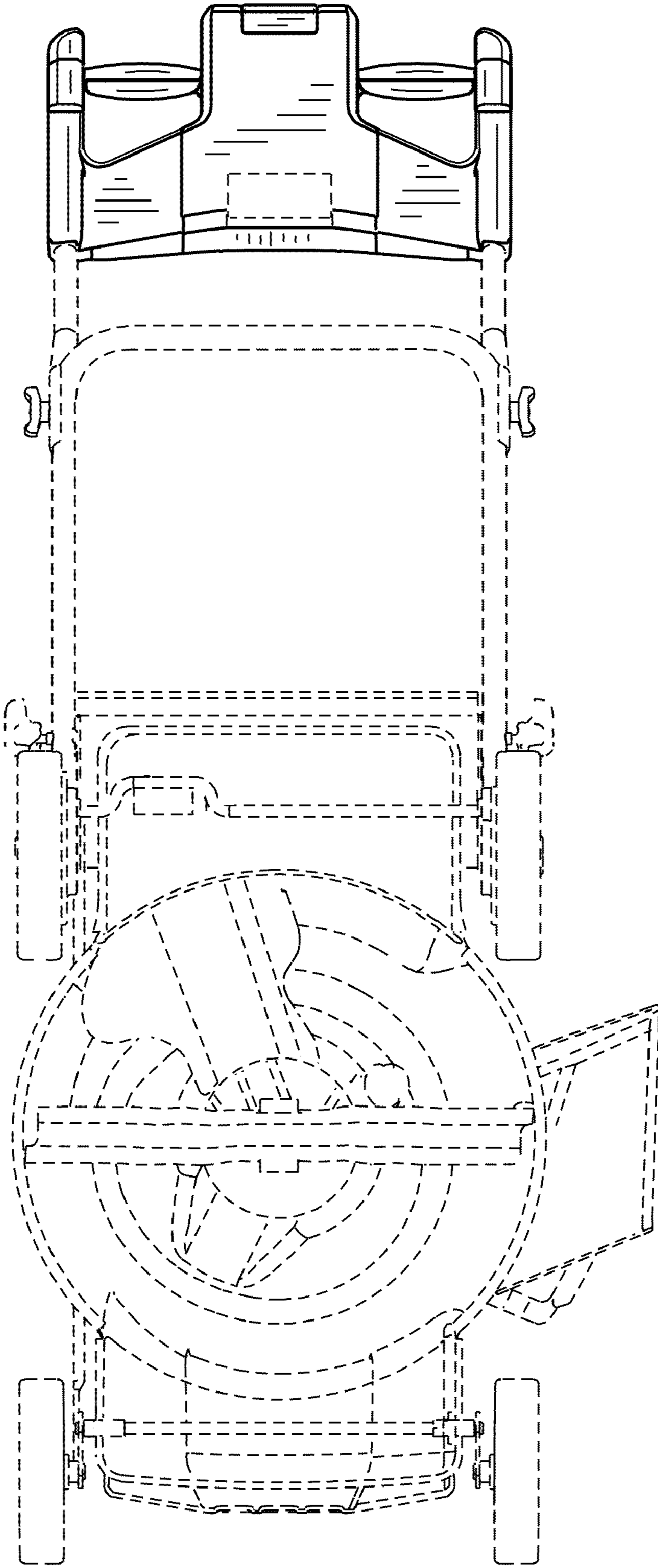


FIG. 7