



US00D624554S

(12) **United States Design Patent**  
**Lo**

(10) **Patent No.:** **US D624,554 S**

(45) **Date of Patent:** **\*\* Sep. 28, 2010**

(54) **FLASH DISK WITH CLIP LOCK**

(75) Inventor: **Yu-Nan Lo**, Taichung County (TW)

(73) Assignee: **Kingston Digital Far East, Inc.**,  
Hsinchu (TW)

(\*\*) Term: **14 Years**

(21) Appl. No.: **29/345,855**

(22) Filed: **Oct. 22, 2009**

(51) **LOC (9) Cl.** ..... **14-02**

(52) **U.S. Cl.** ..... **D14/480.7**

(58) **Field of Classification Search** ..... D14/356,  
D14/411, 433, 435.1, 436, 137, 155, 167,  
D14/168, 203.1–203.8, 240, 242, 299, 480.1–480.7,  
D14/484.1; D3/201, 273; D13/107, 108,  
D13/149, 184; 710/300, 301; 439/131, 135–147;  
361/679.31, 679.33, 679.4, 752; 711/100,  
711/115

See application file for complete search history.

(56) **References Cited**

**U.S. PATENT DOCUMENTS**

3,968,670	A *	7/1976	Quenot	.....	70/456 R
D246,240	S *	11/1977	Hansen	.....	D13/103
D289,038	S *	3/1987	Lang et al.	.....	D14/168
D292,288	S *	10/1987	Schwartz	.....	D14/218
D297,633	S *	9/1988	Peroni	.....	D13/184
D355,385	S *	2/1995	Abrams	.....	D10/104
D370,011	S *	5/1996	Lindeman	.....	D14/137
D381,922	S *	8/1997	Casperson	.....	D10/104
D408,129	S *	4/1999	Spraulding	.....	D3/205
D425,902	S *	5/2000	Rathbun et al.	.....	D14/240
D450,444	S *	11/2001	Nott et al.	.....	D3/201
6,522,534	B1 *	2/2003	Wu	.....	361/679.4
D506,209	S *	6/2005	Leong	.....	D14/203.5
D525,582	S *	7/2006	Chan	.....	D13/107
D537,034	S *	2/2007	Kang et al.	.....	D13/103
D563,313	S *	3/2008	Ueda et al.	.....	D13/107

D566,709	S *	4/2008	Kim	.....	D14/356
D579,913	S *	11/2008	Lamason	.....	D14/159
D601,609	S *	10/2009	Kripalani	.....	D16/237
D602,026	S *	10/2009	Lo	.....	D14/480.7
2004/0063346	A1 *	4/2004	Lin et al.	.....	439/131
2008/0218957	A1 *	9/2008	Kim	.....	361/684
2010/0014246	A1 *	1/2010	Chen	.....	361/679.56

**OTHER PUBLICATIONS**

EU Design Registration Application No. 001014989-0001, [registered on Oct. 3, 2008].\*

KR Design Registration No. 300433098.0000, [registered on Dec. 1, 2006].\*

BuyPromos, LLC. [online], [retrieved on Dec. 6, 2006]. Retrieved from the Internet <URL: <http://buypromosllc.corpkeystore.com/execstr/prodView.asp?idproduct=60>>.\*

\* cited by examiner

*Primary Examiner*—Cathron C Brooks

*Assistant Examiner*—Karen E Kearney

(74) *Attorney, Agent, or Firm*—Banger Shia

(57) **CLAIM**

The ornamental design for a flash disk with clip lock, as shown and described.

**DESCRIPTION**

FIG. 1 is a perspective view of a flash disk with clip lock showing my new design;

FIG. 2 is a front elevational view thereof;

FIG. 3 is a rear elevational view thereof;

FIG. 4 is a left side elevational view thereof;

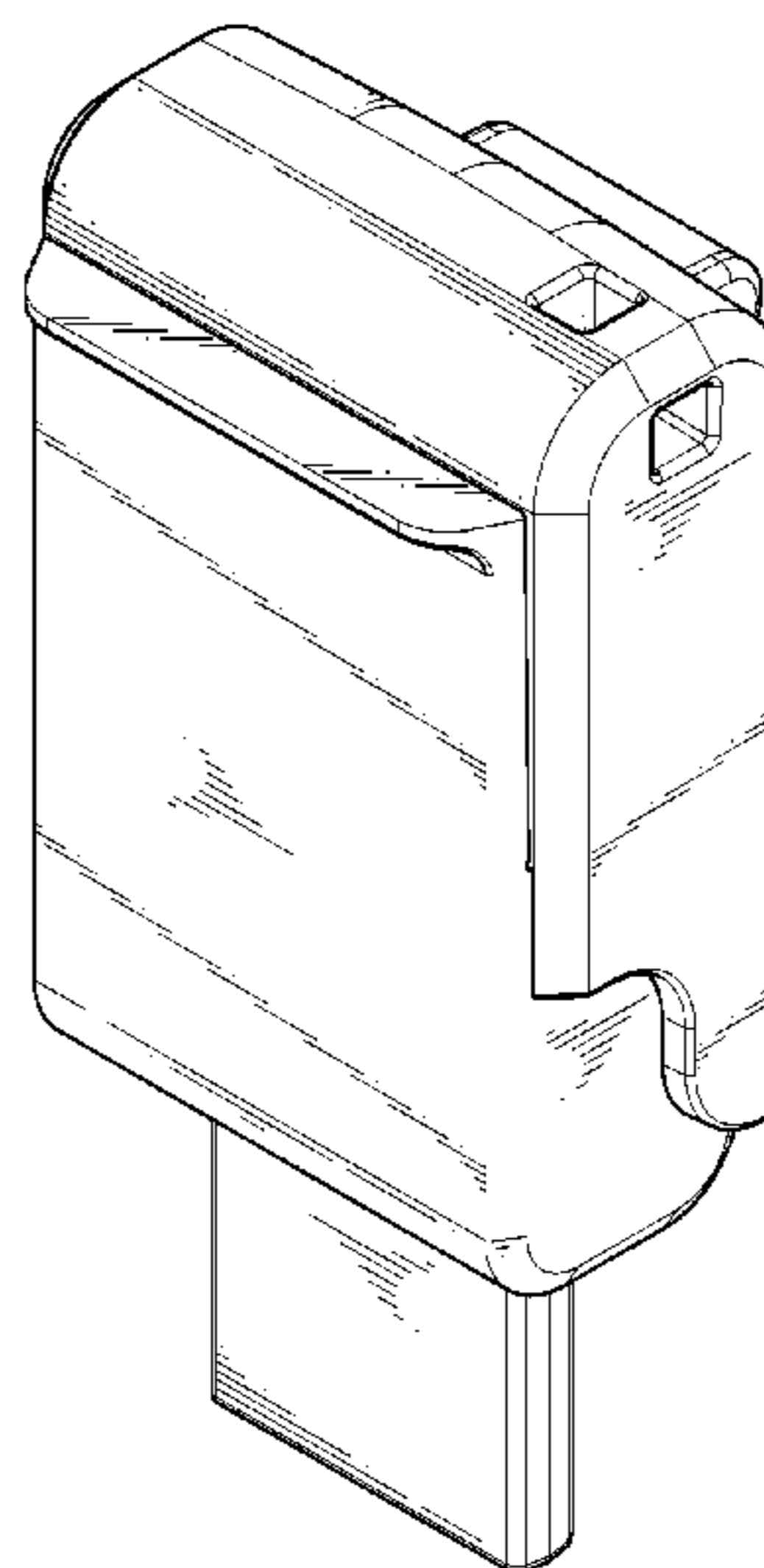
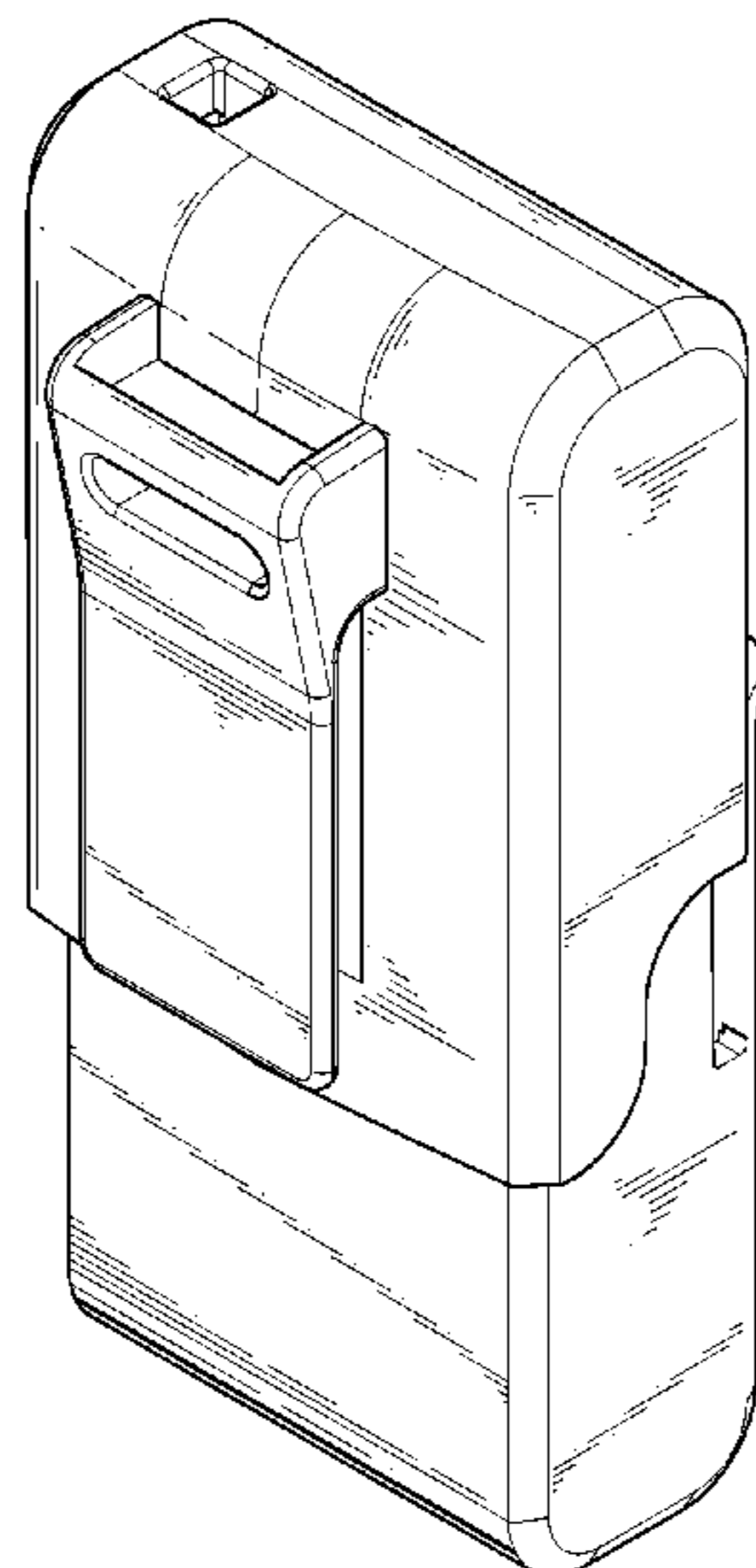
FIG. 5 is a right side elevational view thereof;

FIG. 6 is a top plan view thereof;

FIG. 7 is a bottom plan view thereof; and,

FIG. 8 is a perspective view thereof, wherein the connector is shown in an extended position.

**1 Claim, 5 Drawing Sheets**



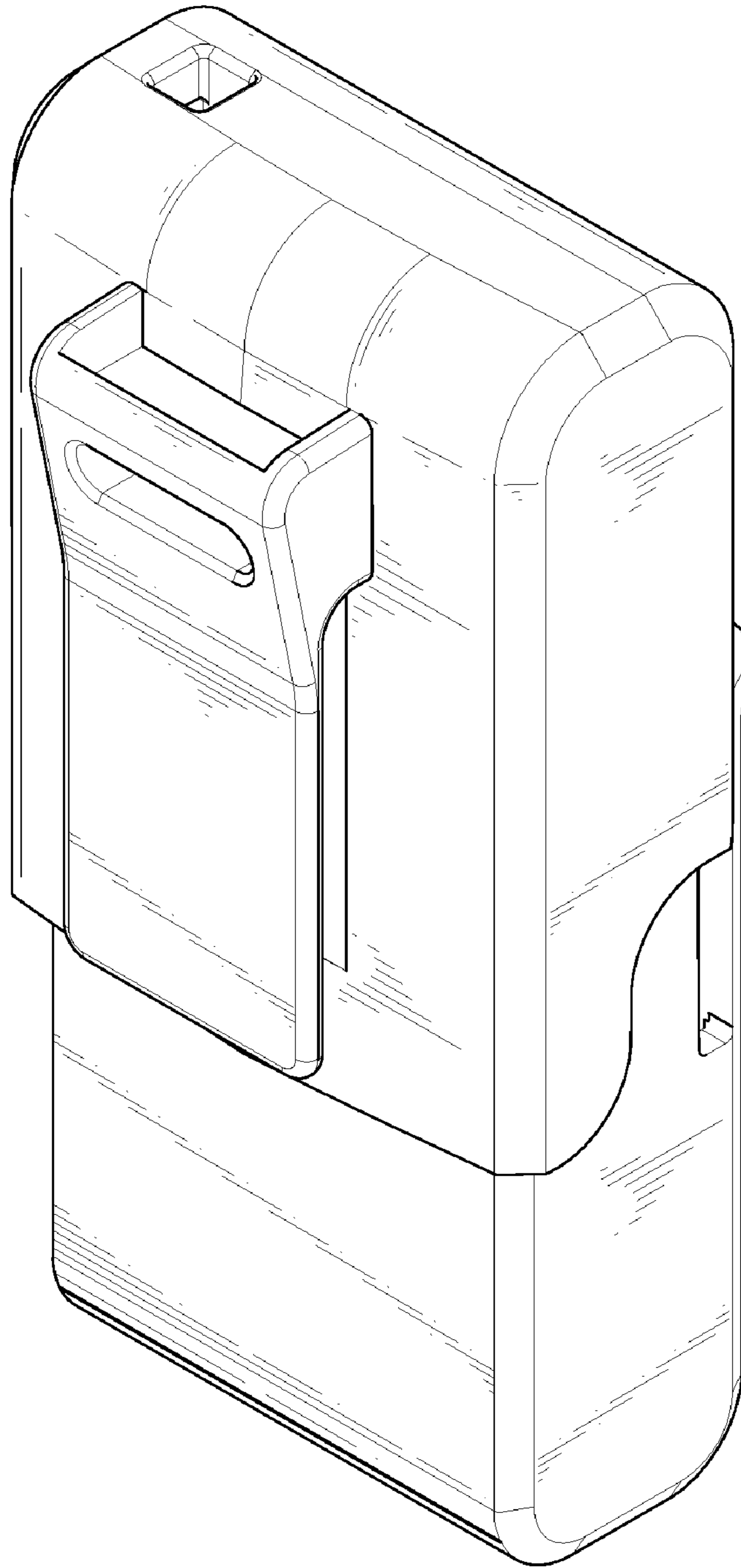


FIG. 1

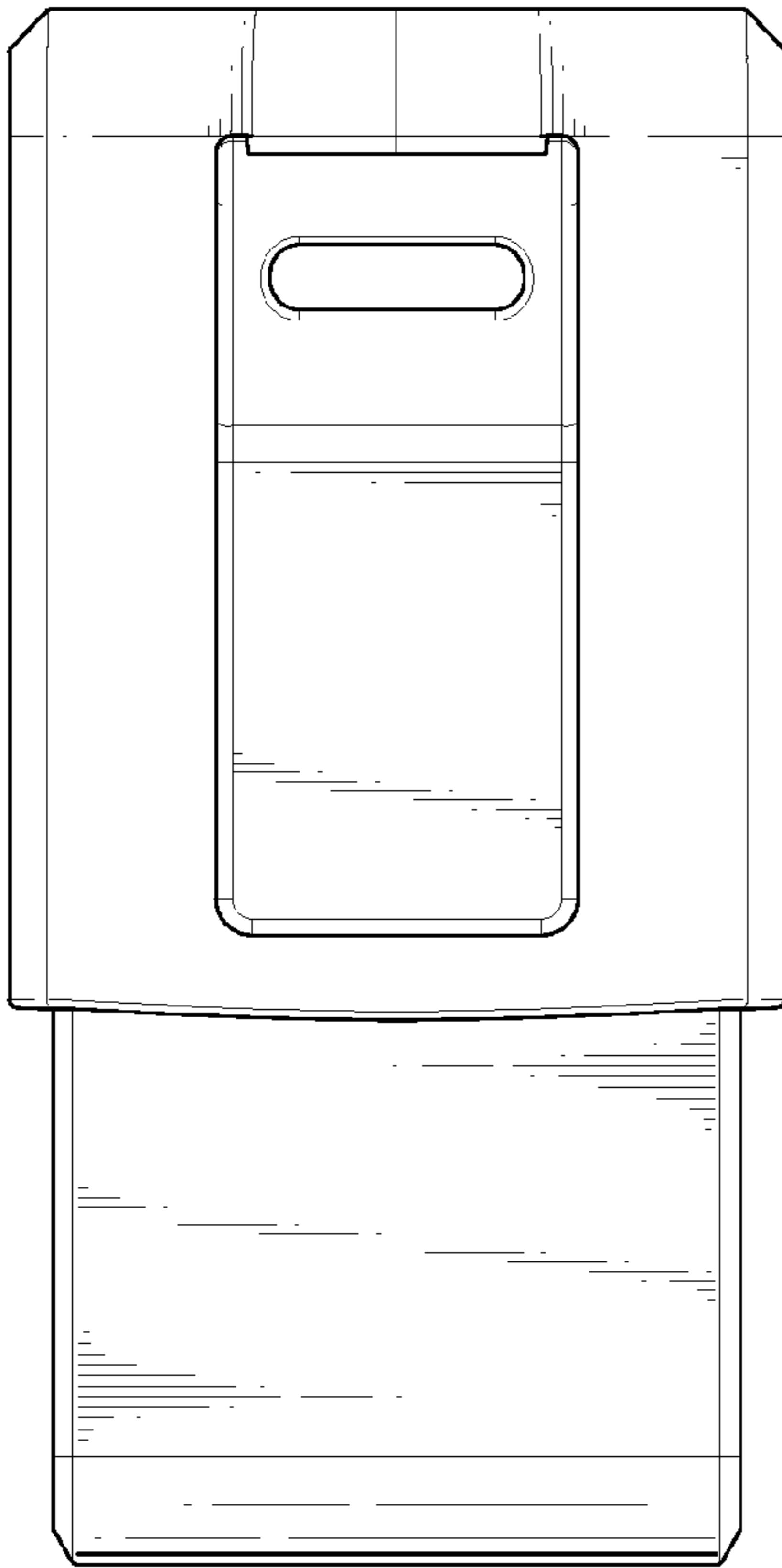


FIG. 2

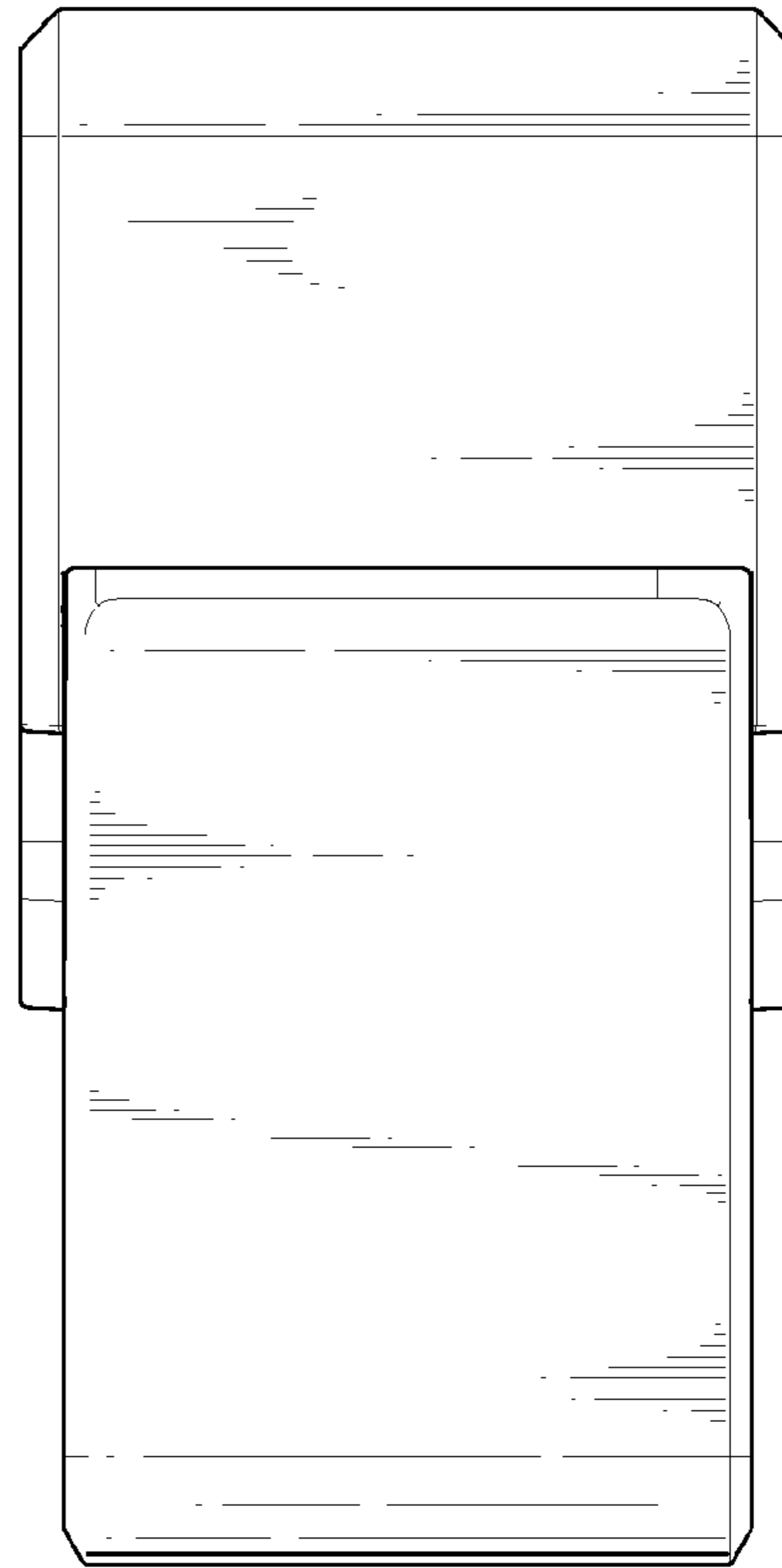


FIG. 3

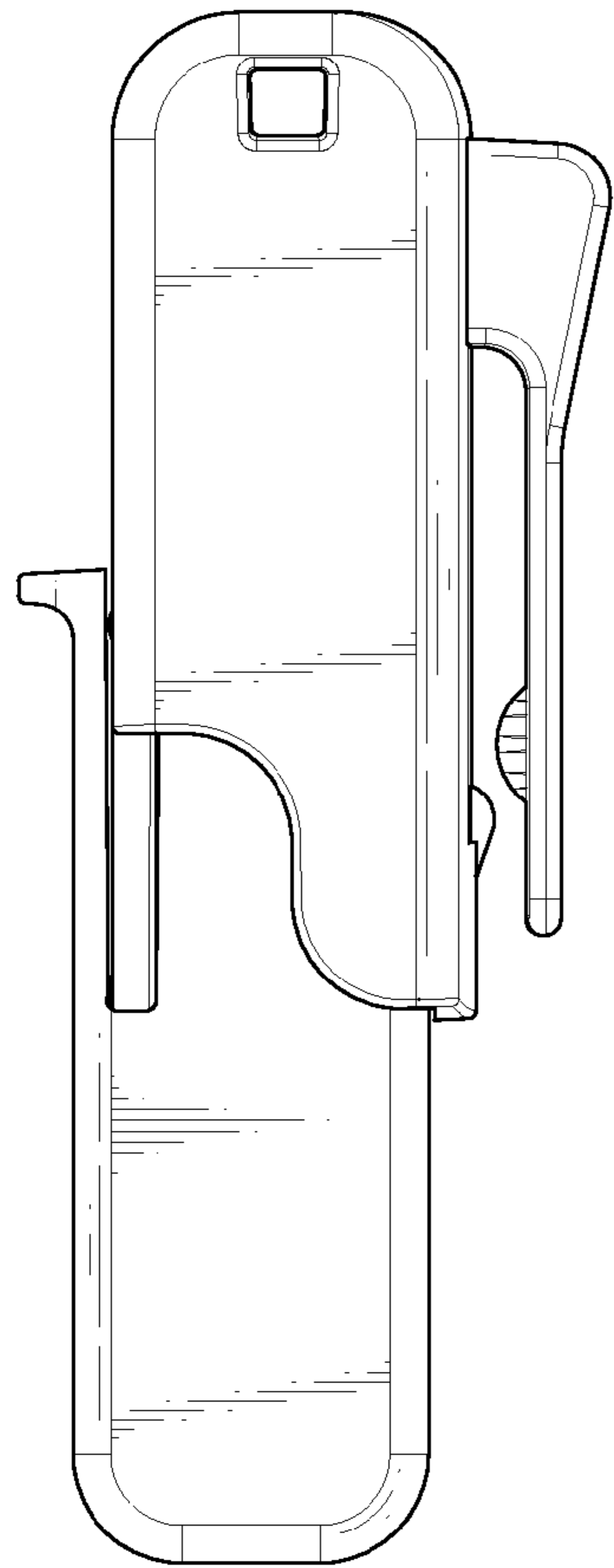


FIG. 4

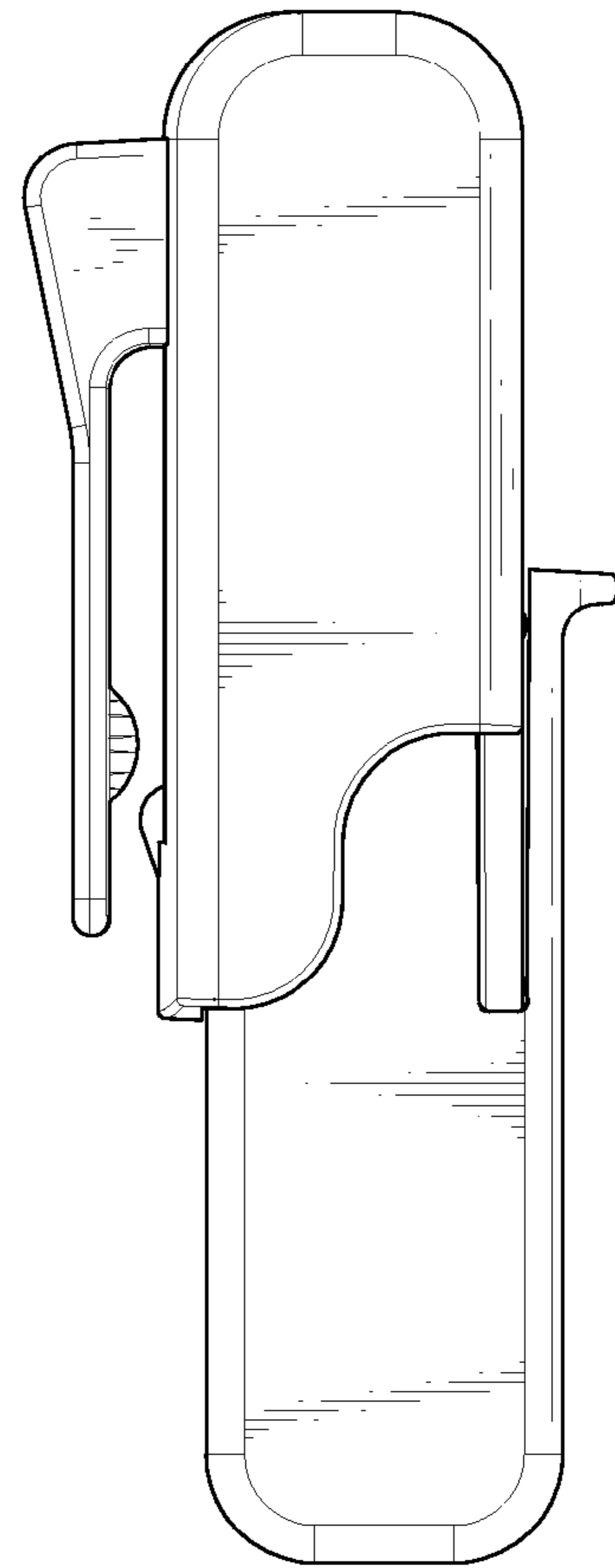


FIG. 5

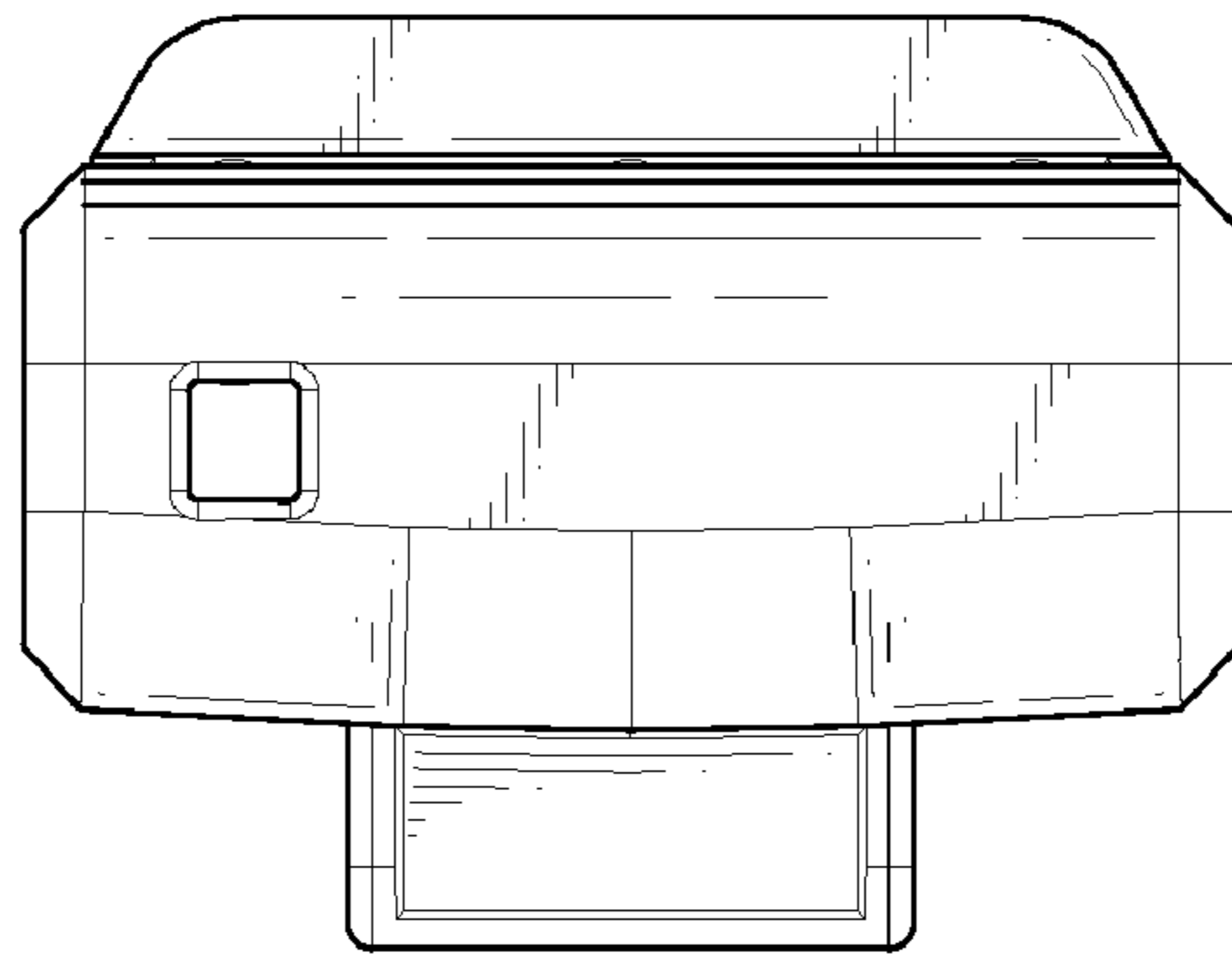


FIG. 6

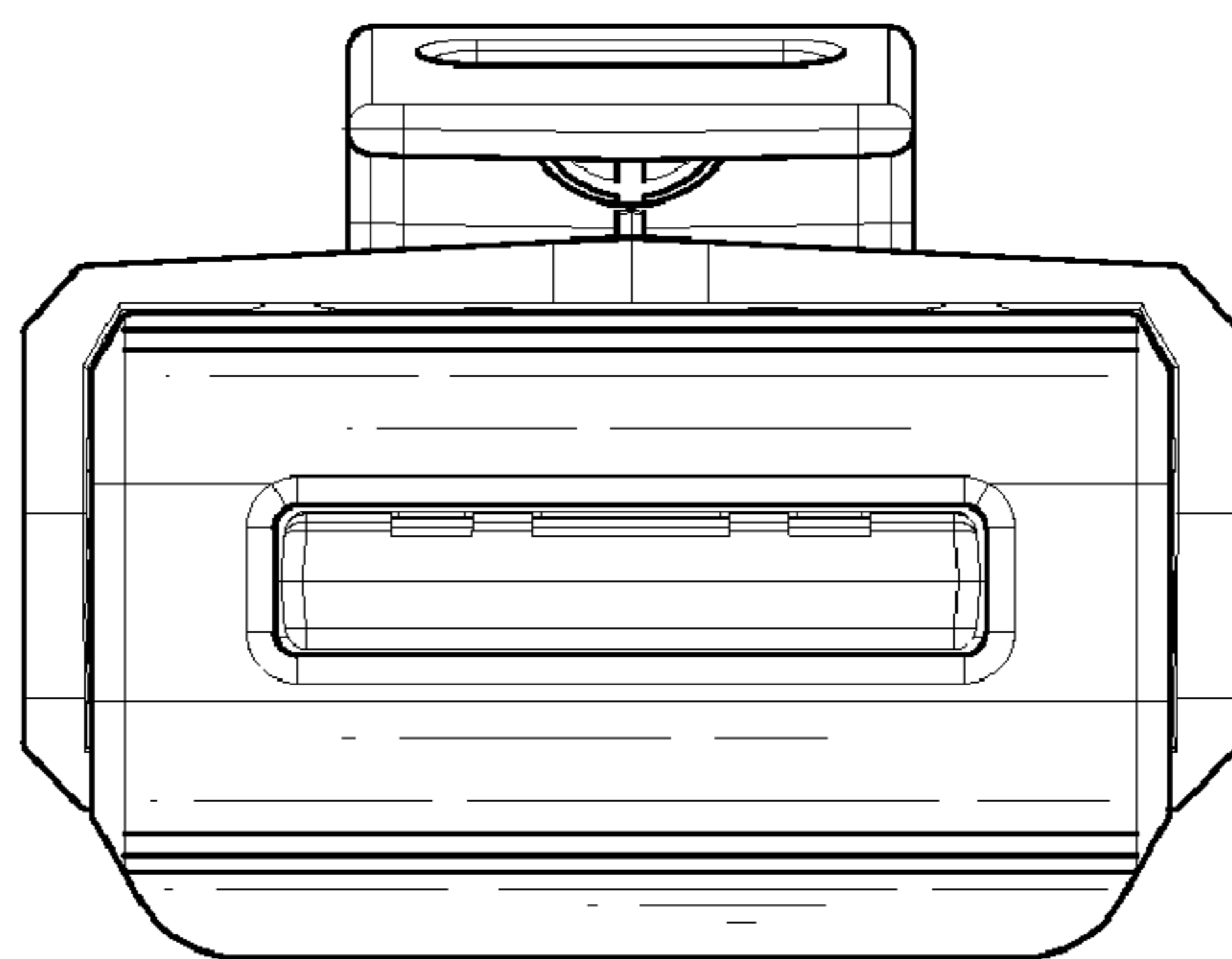


FIG. 7

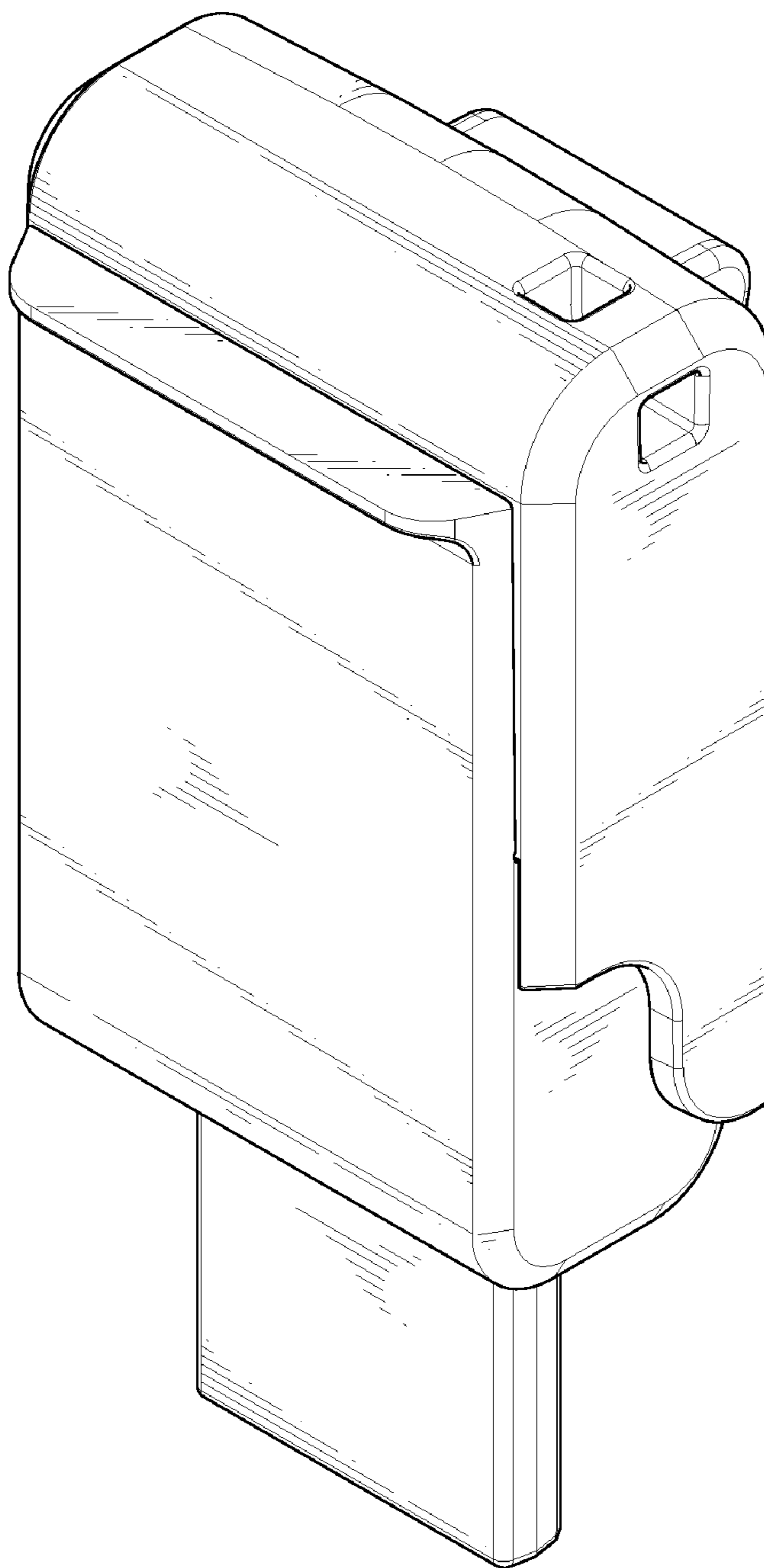


FIG. 8

UNITED STATES PATENT AND TRADEMARK OFFICE  
**CERTIFICATE OF CORRECTION**

PATENT NO. : D624,554 S  
APPLICATION NO. : 29/345855  
DATED : September 28, 2010  
INVENTOR(S) : Yu-Nan Lo et al.

Page 1 of 1

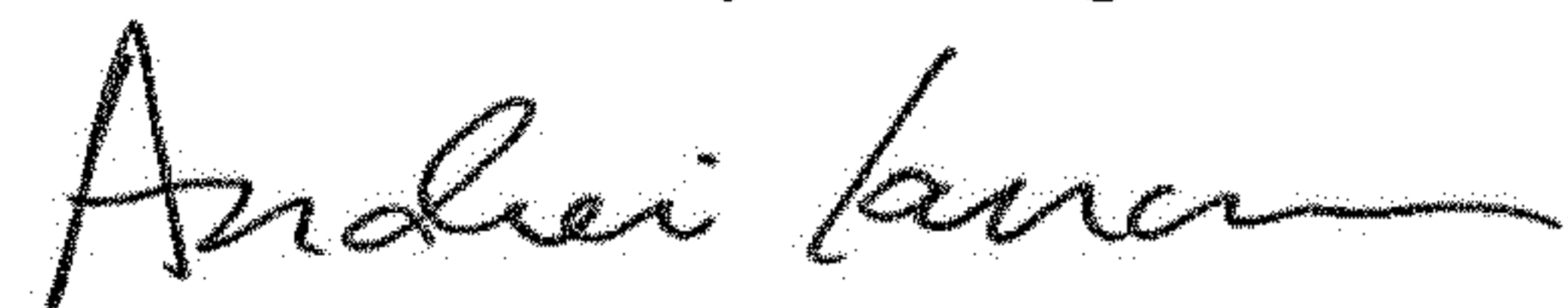
It is certified that error appears in the above-identified patent and that said Letters Patent is hereby corrected as shown below:

On the Title Page

Item (75) should read:

(75) Inventors: Yu-Nan Lo, Taichung County (TW);  
Chen-Yi Lu, Tainai City (TW)

Signed and Sealed this  
Fourteenth Day of August, 2018



Andrei Iancu  
*Director of the United States Patent and Trademark Office*