



US00D624551S

(12) **United States Design Patent**
Cohen

(10) **Patent No.:** **US D624,551 S**

(45) **Date of Patent:** **** Sep. 28, 2010**

(54) **WATERPROOF USB DEVICE**

(76) **Inventor:** **Martin Cohen**, 16742 Valencia Ct.,
Delray Beach, FL (US) 33484

(**) **Term:** **14 Years**

(21) **Appl. No.:** **29/345,449**

(22) **Filed:** **Oct. 15, 2009**

(51) **LOC (9) Cl.** **14-02**

(52) **U.S. Cl.** **D14/480.5**

(58) **Field of Classification Search** D14/356,
D14/411, 433, 435.1, 436, 137, 155, 167,
D14/168, 203.1–203.8, 240, 242, 299, 480.1–480.7,
D14/484.1; D3/201, 273; D13/107, 108,
D13/149, 184; 710/300, 301; 439/131, 135–147;
361/679.31, 679.33, 679.4, 752; 711/100,
711/115

See application file for complete search history.

(56) **References Cited**

U.S. PATENT DOCUMENTS

D273,053 S *	3/1984	Hamborg	D3/207
D303,223 S *	9/1989	Issa	D10/106
D330,885 S *	11/1992	Tattari	D13/108
D357,639 S *	4/1995	Flick	D10/104
D471,516 S	3/2003	Tsay		
D511,519 S	11/2005	Bone		
D513,005 S	12/2005	Kobayakawa		
D523,015 S *	6/2006	Loftus	D14/480.1
D525,247 S	7/2006	Rubin		
7,088,575 B2 *	8/2006	Chiu et al.	361/679.31
D537,820 S	3/2007	Hsu		
D538,280 S *	3/2007	Sugita	D14/356
D542,787 S	5/2007	Siu		
D542,789 S	5/2007	Depay		
D546,325 S	7/2007	Chen		
D547,311 S	7/2007	Chen		
D548,233 S	8/2007	Loftus		
D554,119 S	10/2007	Otsuka		
D555,158 S	11/2007	Lo		
D556,197 S	11/2007	Blankenship		

D556,198 S	11/2007	Blankenship		
D556,752 S	12/2007	Otsuka		
D561,184 S	2/2008	Kozenitzky		
D566,707 S	4/2008	Patton		
D566,709 S	4/2008	Kim		
D574,822 S	8/2008	Bhavnani		
7,407,390 B1 *	8/2008	Ni	439/76.1
D579,933 S *	11/2008	Deguchi	D14/356
D583,374 S	12/2008	Otsuka		
D591,758 S	5/2009	Lee		
D602,026 S *	10/2009	Lo	D14/480.7
2008/0133832 A1 *	6/2008	Bhavnani	711/115

* cited by examiner

Primary Examiner—Cathron C Brooks

Assistant Examiner—Karen E Kearney

(74) *Attorney, Agent, or Firm*—QuickPatents, Inc.; Kevin Prince

(57) **CLAIM**

What is claimed is the ornamental design for a waterproof USB device, as shown and described.

DESCRIPTION

FIG. 1 is a perspective view of a waterproof USB device, showing the new design;

FIG. 2 is a front elevational view thereof, the rear elevational view being a mirror image thereof;

FIG. 3 is a left-side elevational view thereof, the right-side elevational view being a mirror image thereof;

FIG. 4 is a top plan view thereof;

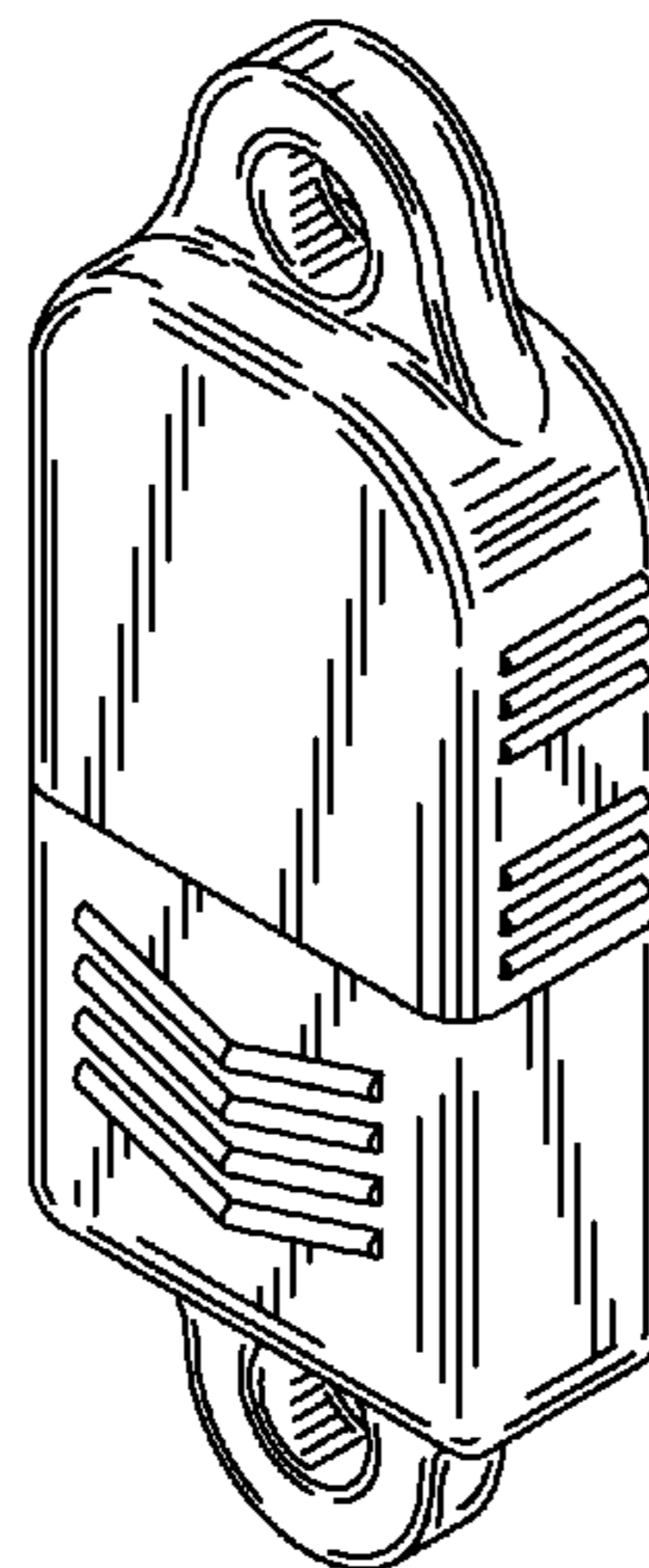
FIG. 5 is a bottom plan view thereof;

FIG. 6 is an exploded perspective view thereof;

FIG. 7 is an exploded front elevational view thereof, the exploded rear elevational view being a mirror image thereof; and,

FIG. 8 is an exploded left-side elevational view thereof, the exploded right-side elevational view being a mirror image thereof.

1 Claim, 2 Drawing Sheets



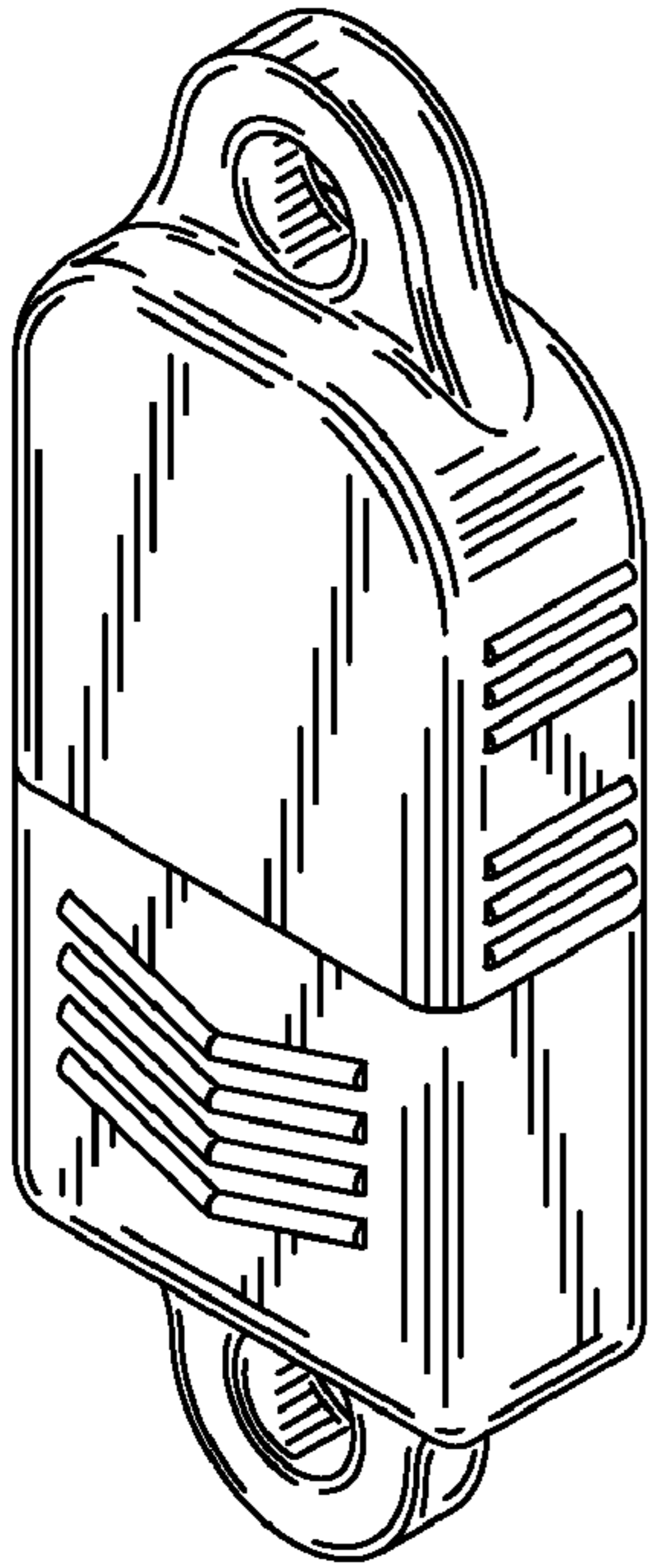


FIG. 1

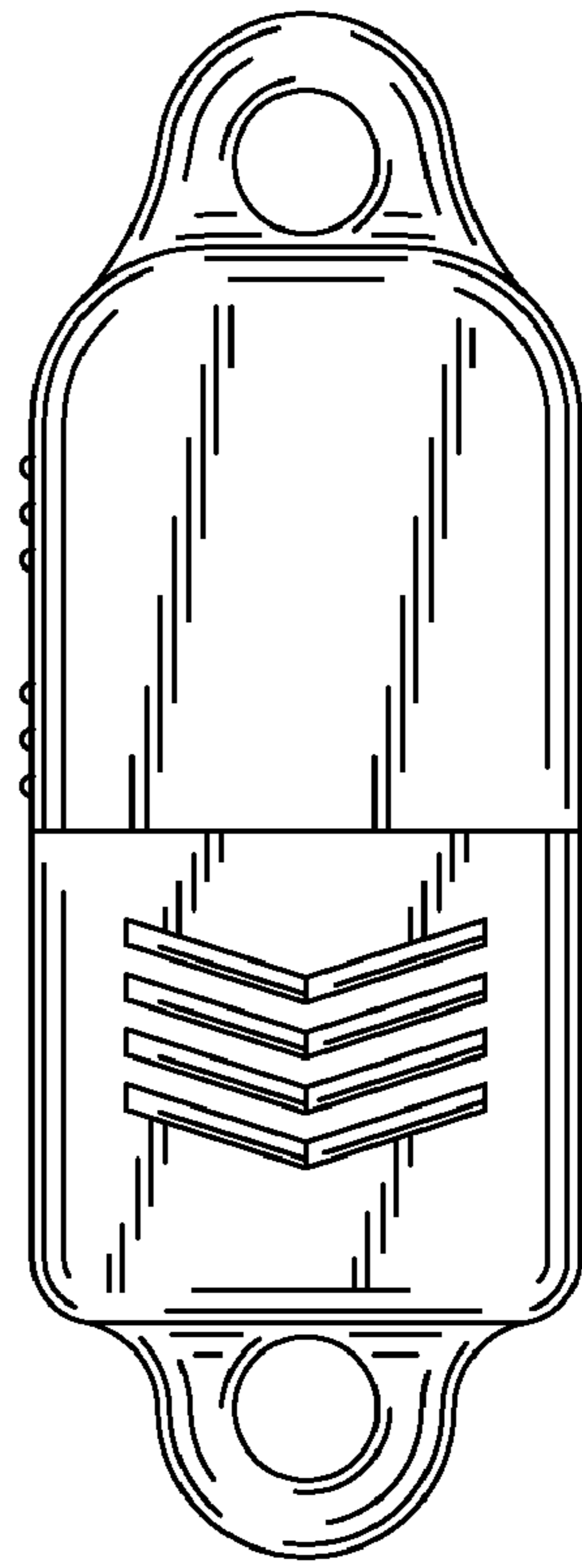


FIG. 2

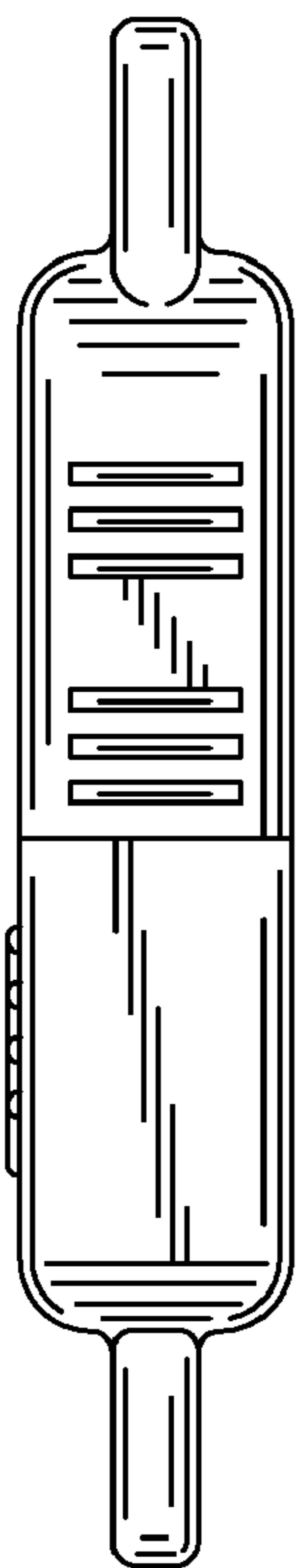


FIG. 3

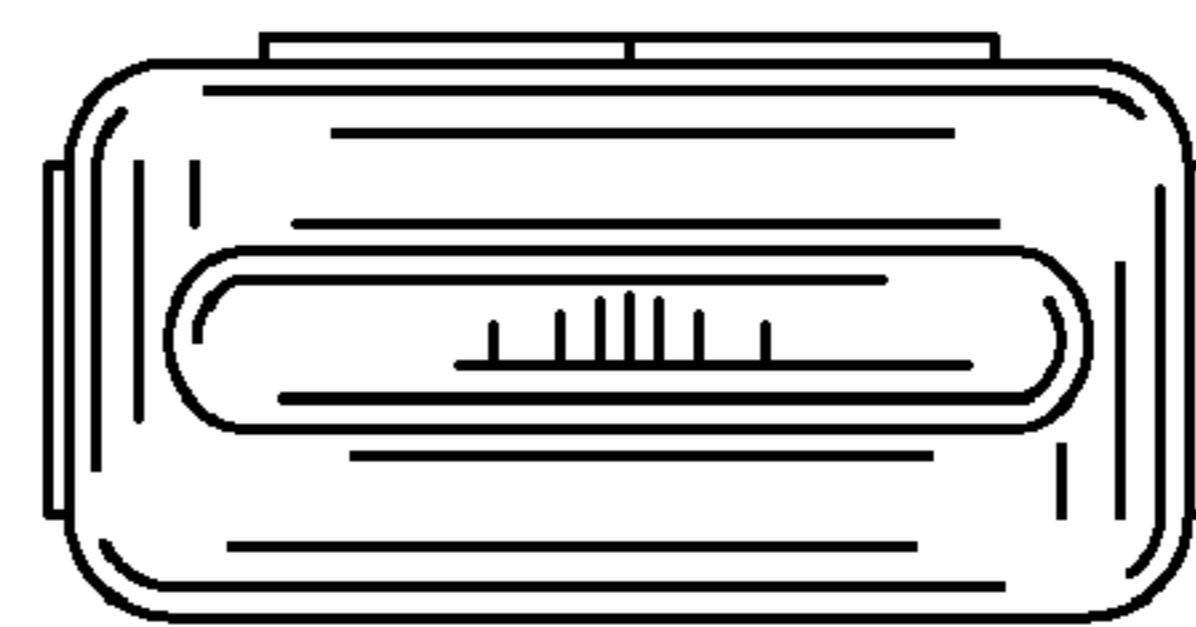


FIG. 4

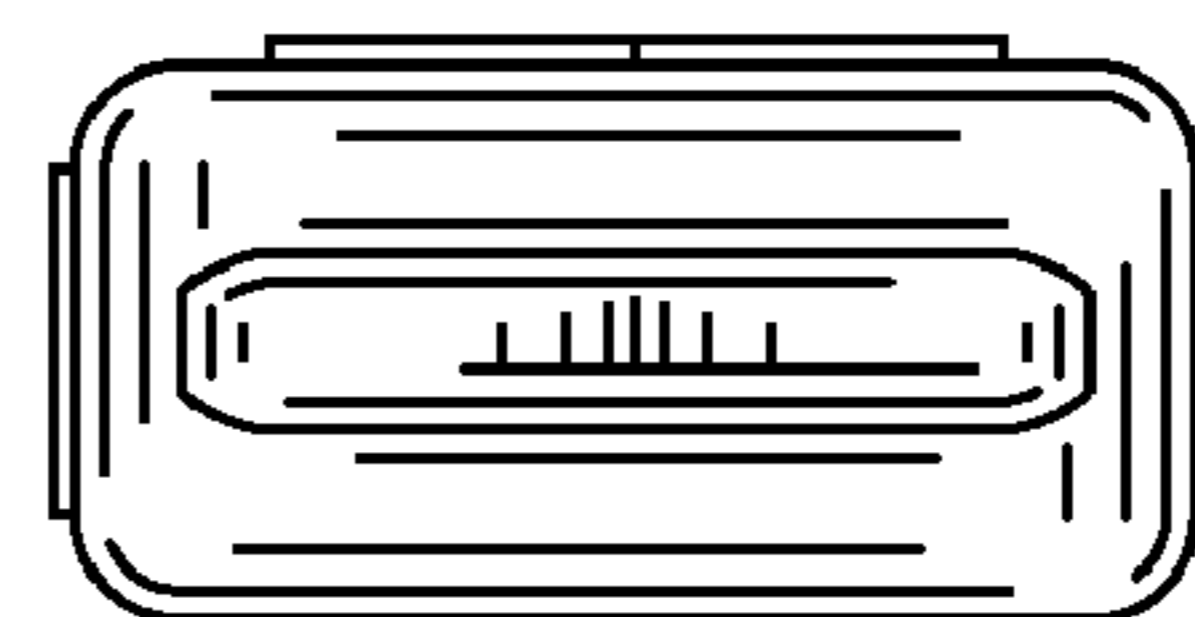


FIG. 5

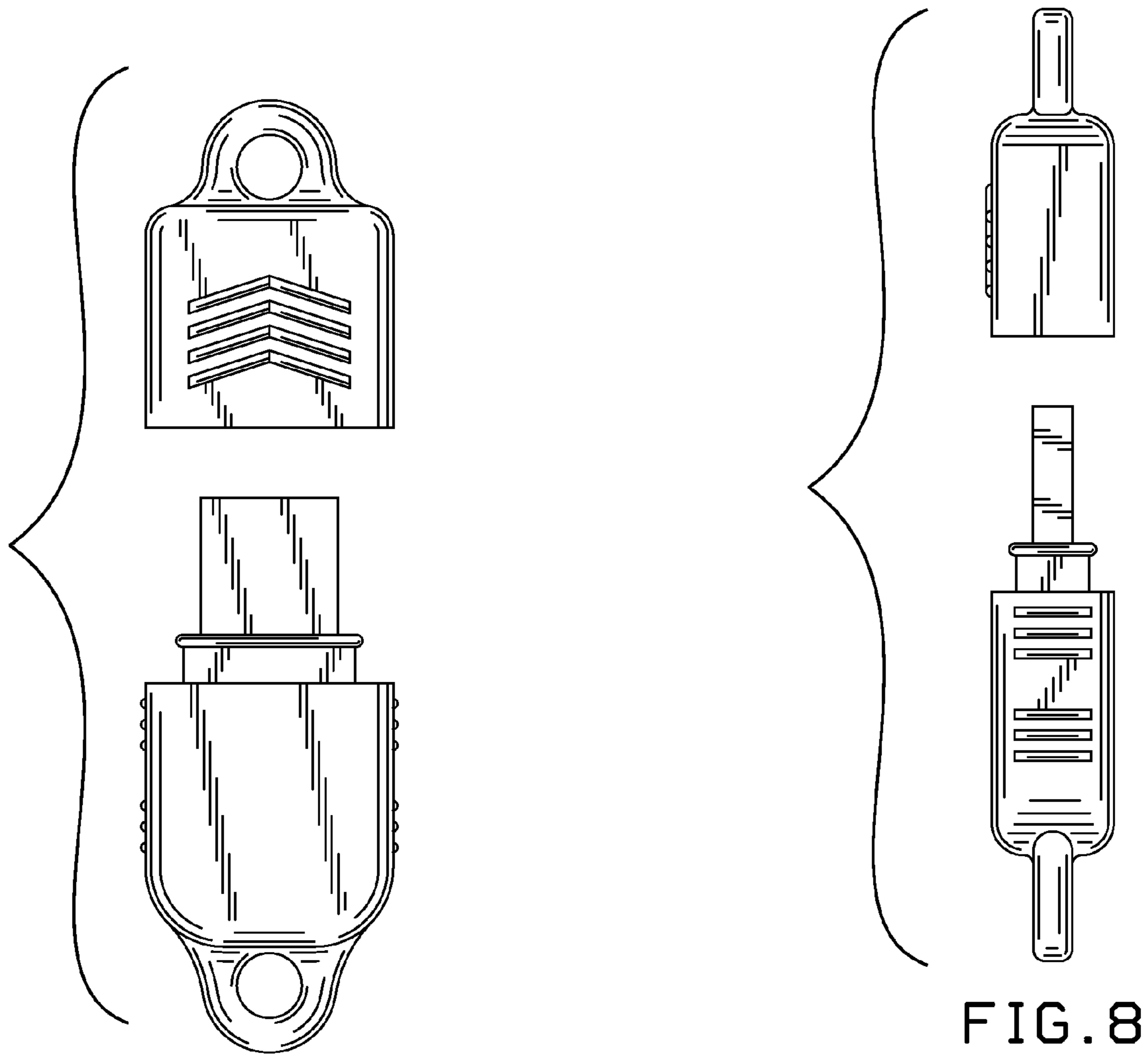


FIG. 7

FIG. 8

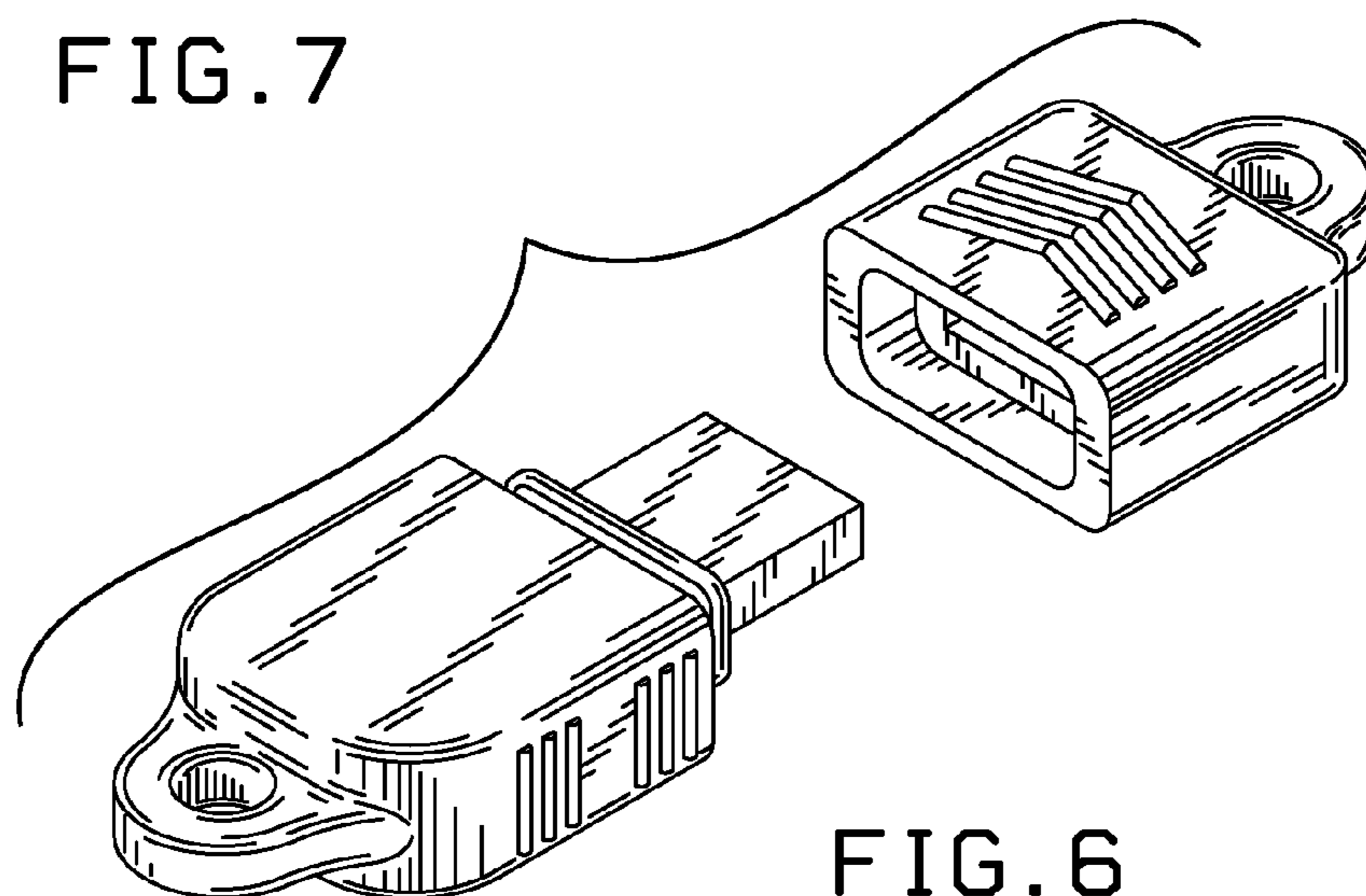


FIG. 6