



US00D624549S

(12) **United States Design Patent**  
**Okoshi et al.**

(10) **Patent No.:** **US D624,549 S**

(45) **Date of Patent:** **\*\* Sep. 28, 2010**

(54) **STAND FOR DISPLAY**

(75) Inventors: **Yoichiro Okoshi**, Minato-ku (JP); **Yao Hsing Tsai**, Tapei (TW)

(73) Assignee: **NEC Display Solutions, Ltd.**, Tokyo (JP)

(\*\*) Term: **14 Years**

(21) Appl. No.: **29/358,058**

(22) Filed: **Mar. 22, 2010**

(30) **Foreign Application Priority Data**

Sep. 25, 2009 (JP) ..... 2009-022037

(51) **LOC (9) Cl.** ..... **14-02**

(52) **U.S. Cl.** ..... **D14/451**

(58) **Field of Classification Search** ..... D14/448, D14/449, 450, 451, 452, 432, 439, 440, 305, D14/306, 307, 336, 339, 340, 356, 371, 372, D14/373, 374, 375, 376, 377, 378, 379, 380, D14/381, 382, 125, 126, 127, 128, 129, 239; D6/300, 308; D3/218, 271.2; D19/26, 27, D19/32, 33, 91; 348/794, 832; 361/679.21, 361/679.22, 679.02, 679.04, 679.05, 679.06; 248/917, 918, 919, 920, 921, 922, 923, 924, 248/442.2; 345/32, 609, 738; 349/58; 206/320; 40/765, 771

See application file for complete search history.

(56) **References Cited**

**U.S. PATENT DOCUMENTS**

D474,162 S \* 5/2003 Kubota ..... D14/126  
D522,509 S \* 6/2006 Park et al. .... D14/375  
D529,502 S \* 10/2006 Huang et al. .... D14/375

D542,296 S \* 5/2007 Bockheim et al. .... D14/451  
D544,861 S \* 6/2007 Hwang ..... D14/375  
7,268,999 B2 \* 9/2007 Kim ..... 361/679.27  
D584,310 S \* 1/2009 Kim et al. .... D14/374  
D591,290 S \* 4/2009 Park et al. .... D14/371  
D592,621 S \* 5/2009 Han ..... D14/126  
D597,094 S \* 7/2009 Ho et al. .... D14/374  
D610,143 S \* 2/2010 Park et al. .... D14/374  
2004/0052038 A1 \* 3/2004 Wu ..... 361/681

\* cited by examiner

*Primary Examiner*—Jennifer Rivard

*Assistant Examiner*—Angela J Lee

(74) *Attorney, Agent, or Firm*—Sughrue Mion, PLLC

(57) **CLAIM**

The ornamental design for a stand for display, as shown and described.

**DESCRIPTION**

FIG. 1 is a front, right side, top perspective view of a stand for display showing our new design;

FIG. 2 is a front elevational view thereof;

FIG. 3 is a rear elevational view thereof;

FIG. 4 is a left side view thereof;

FIG. 5 is a right side view thereof;

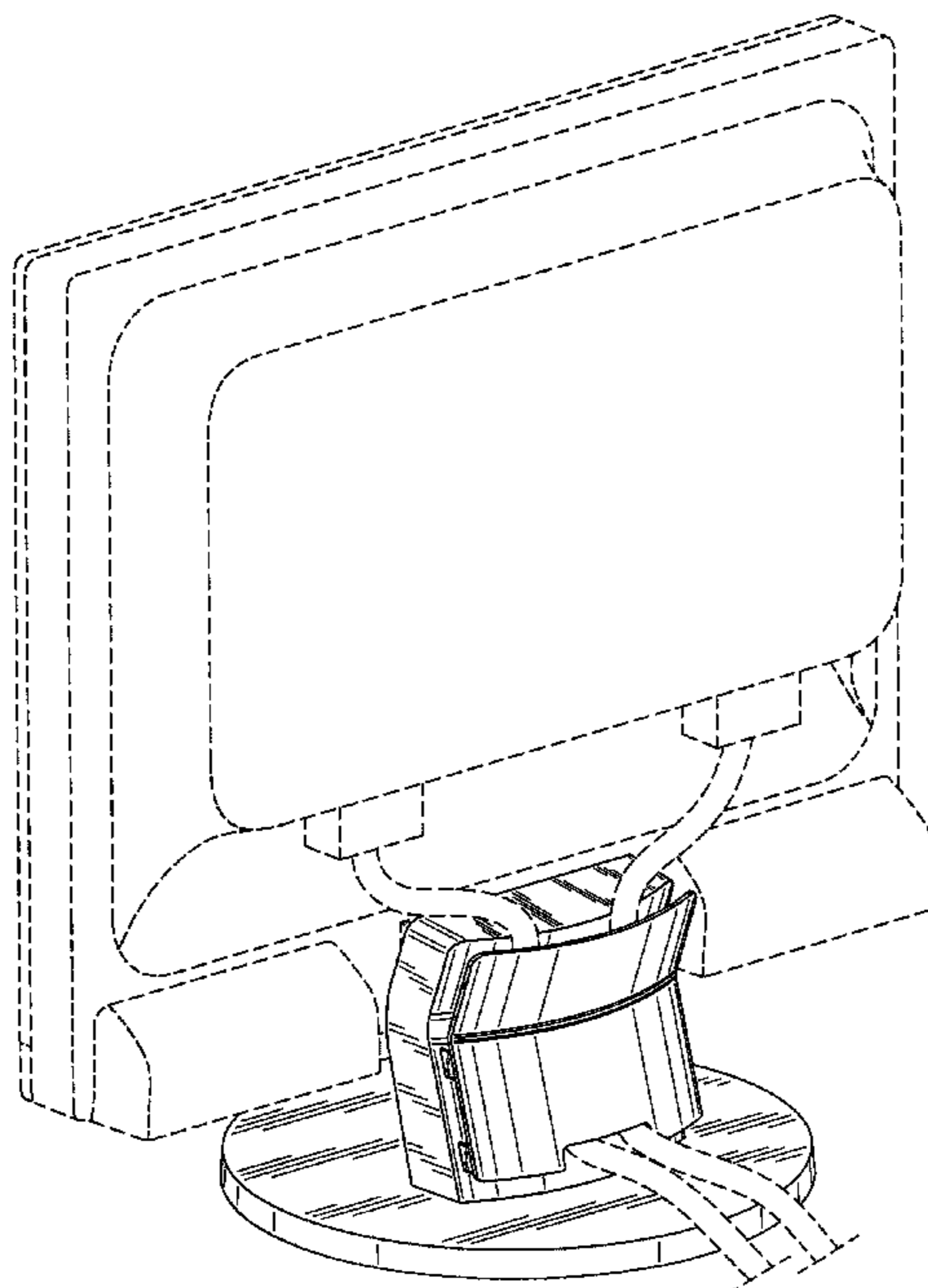
FIG. 6 is a top plan view thereof;

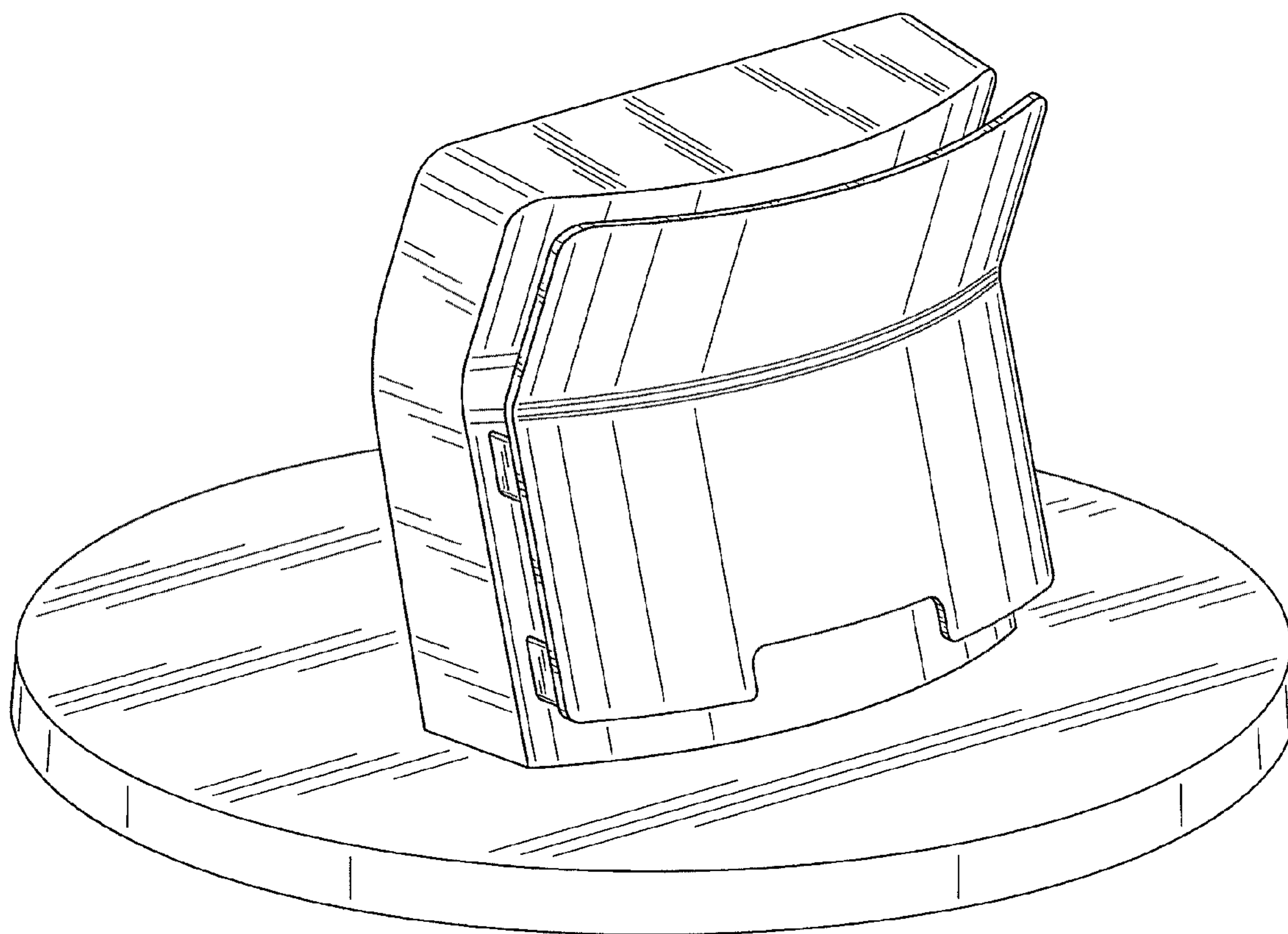
FIG. 7 is a bottom plan view thereof; and,

FIG. 8 is a reference perspective view thereof, showing a state in which this article is used.

The portions in broken lines are shown for illustrative purposes only and form no part of the claimed design.

**1 Claim, 8 Drawing Sheets**





**FIG. 1**

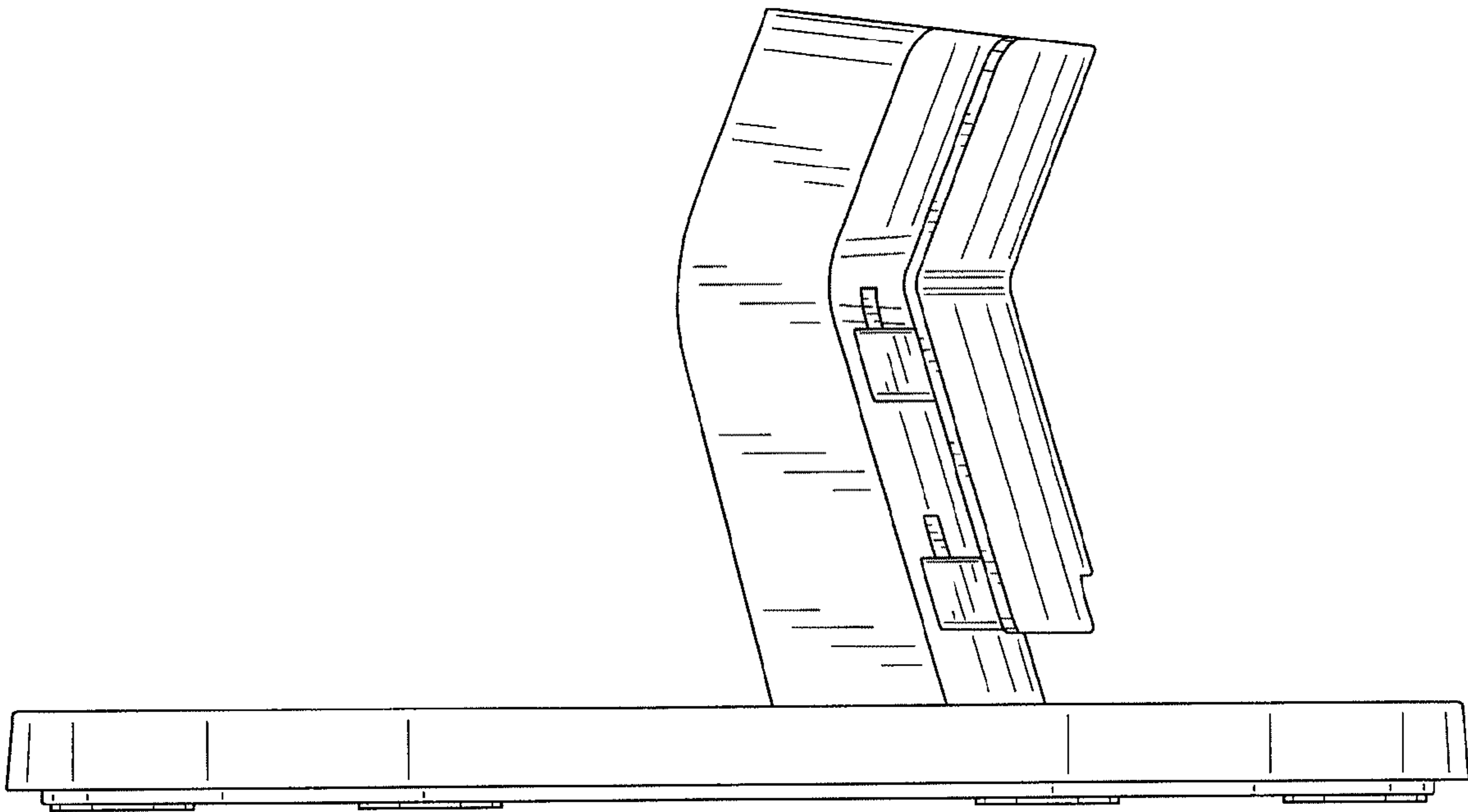
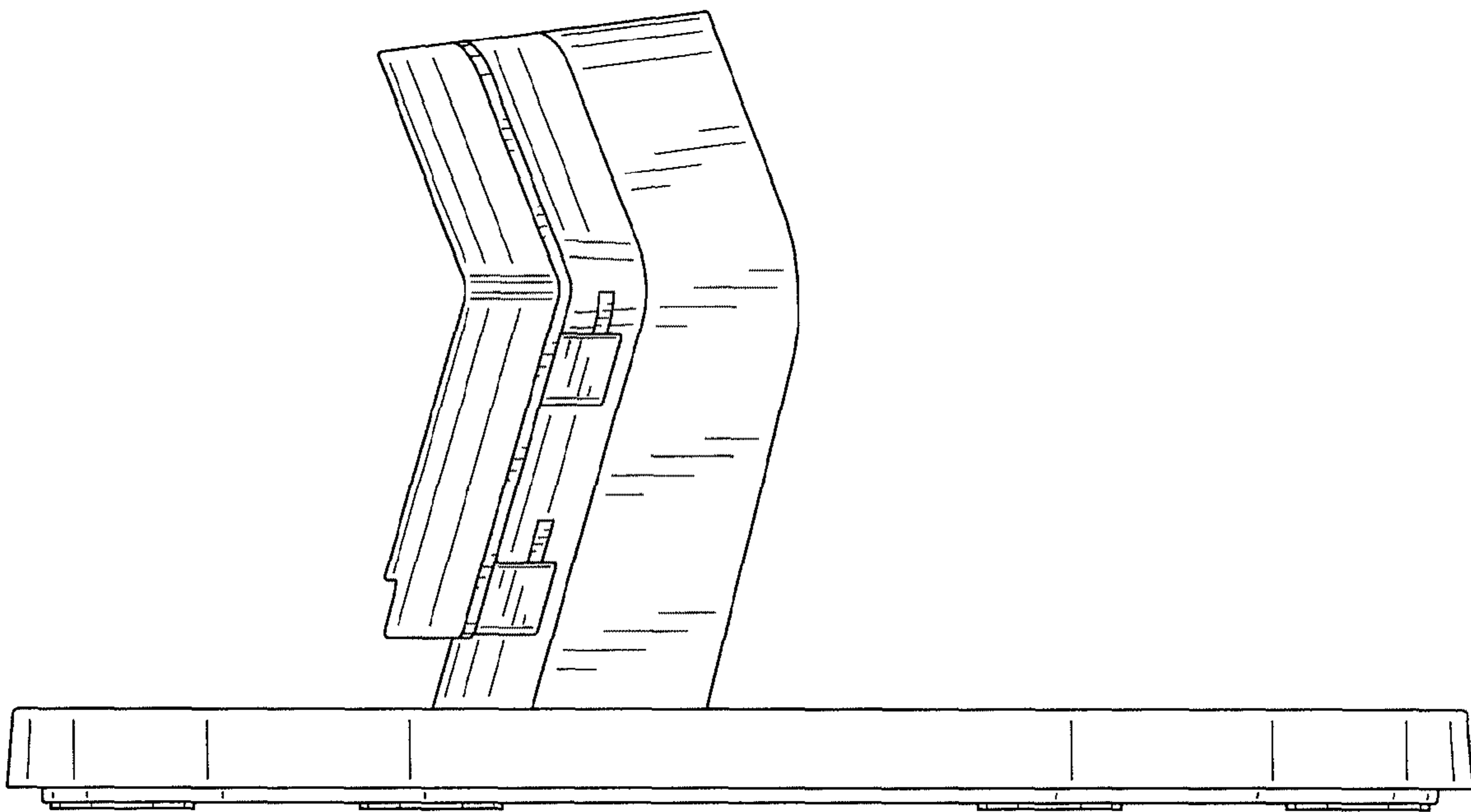
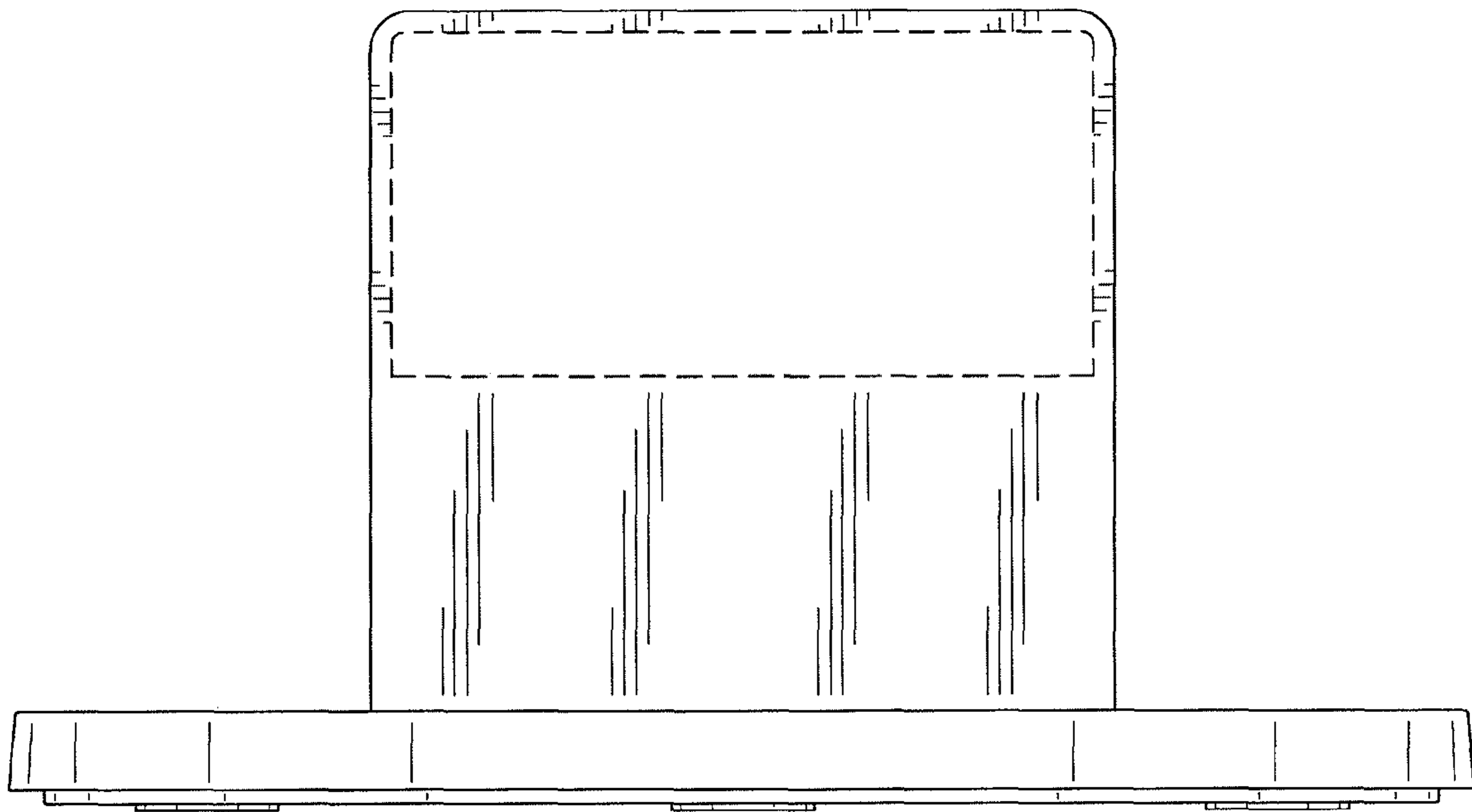


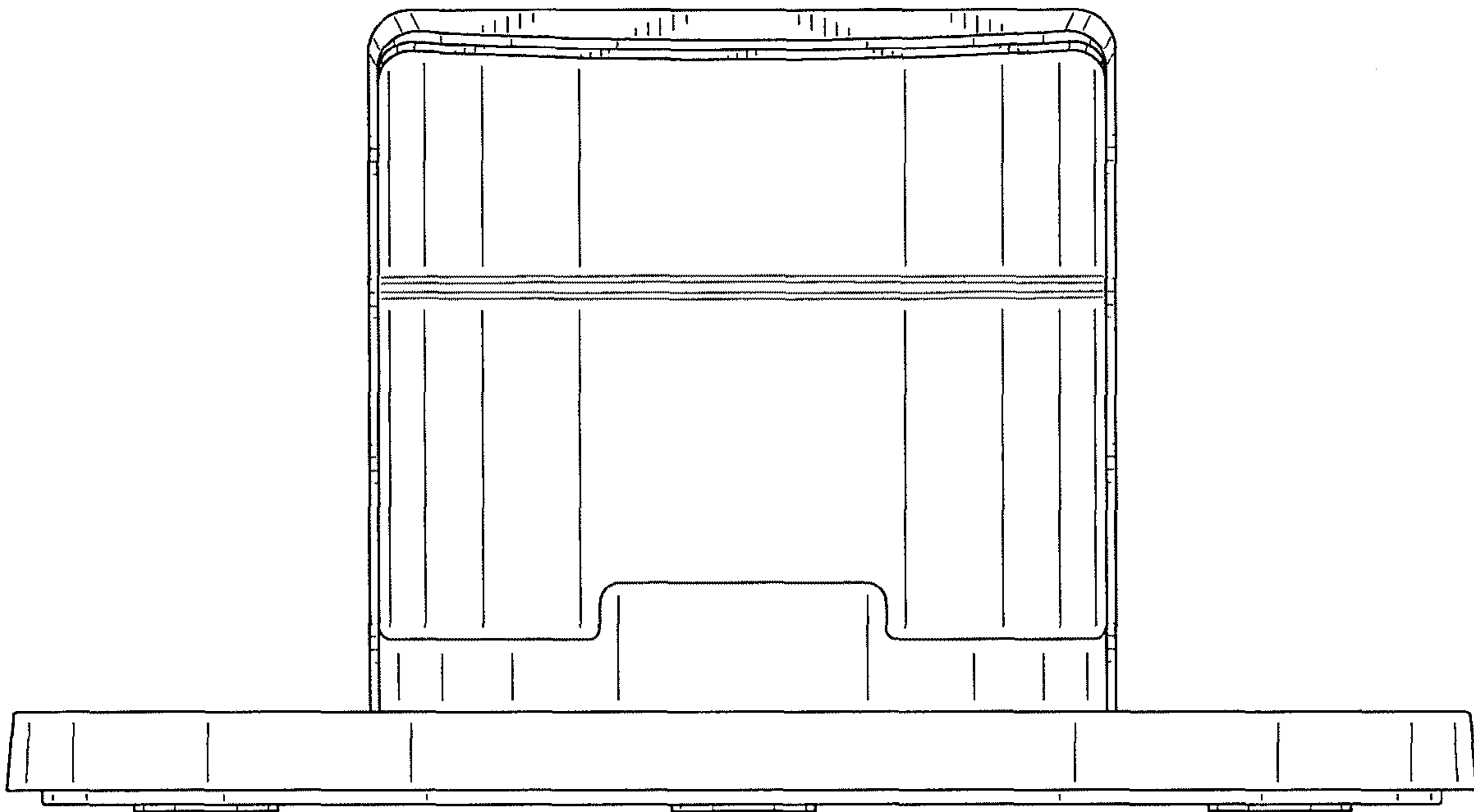
FIG. 2



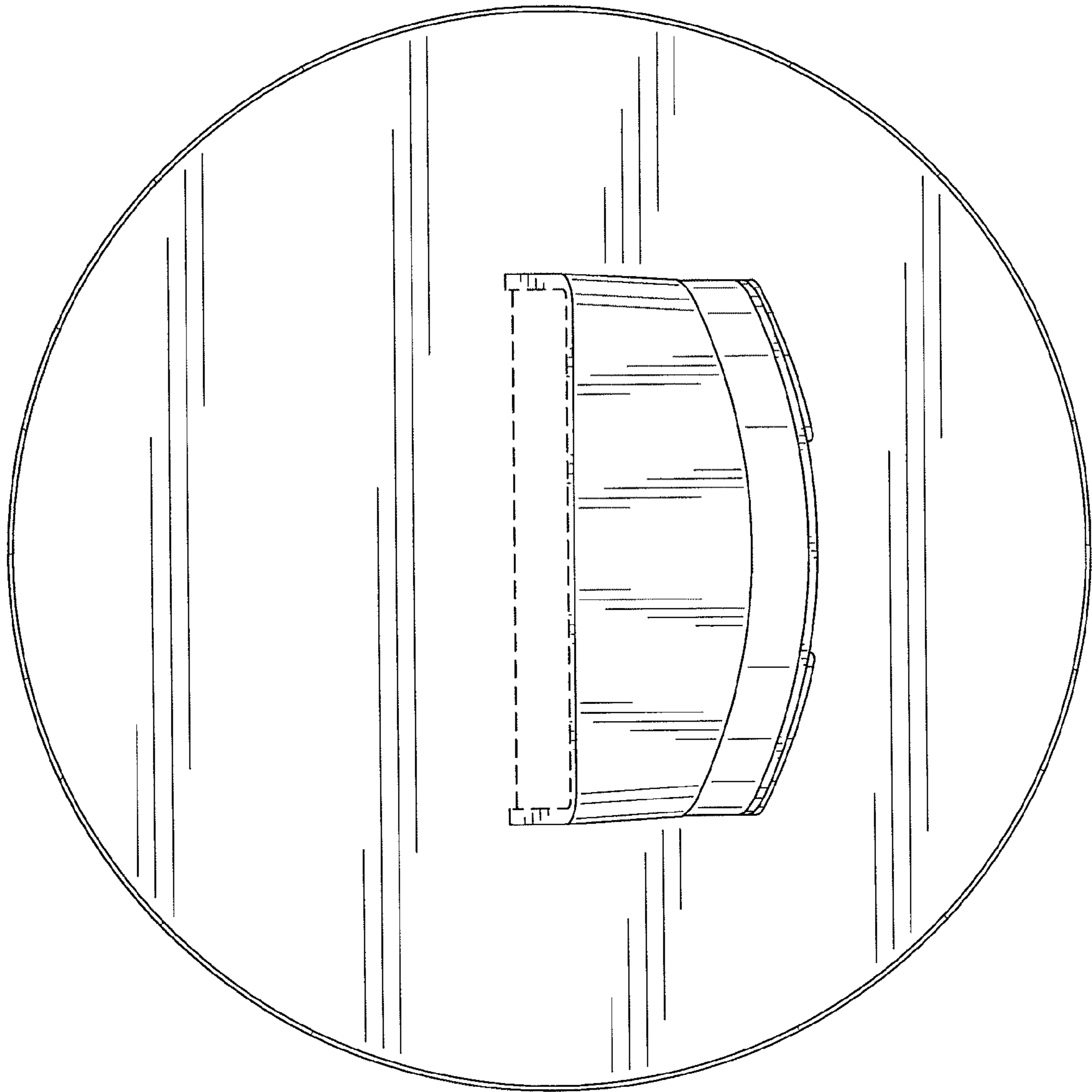
**FIG. 3**



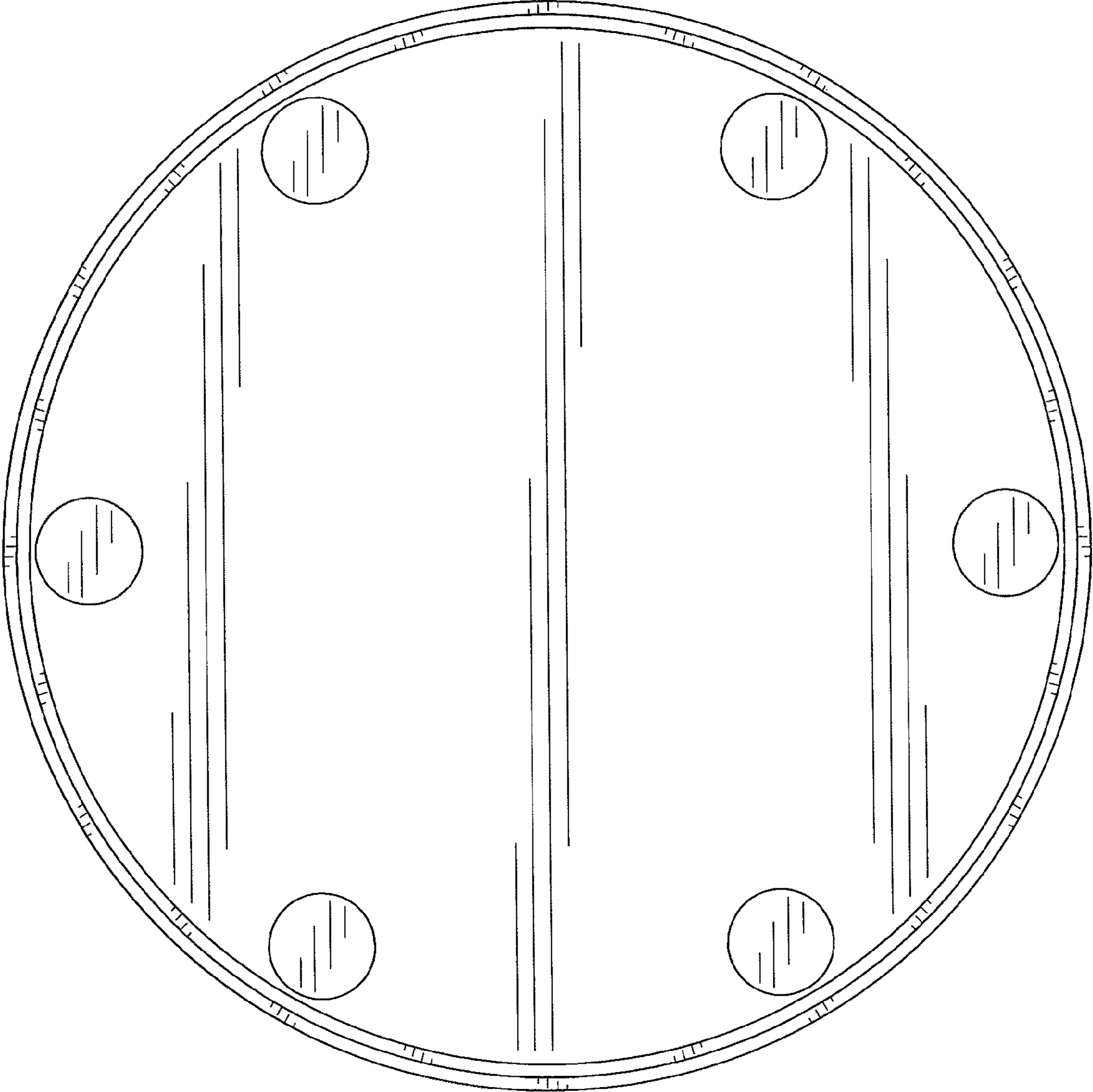
**FIG. 4**



**FIG. 5**

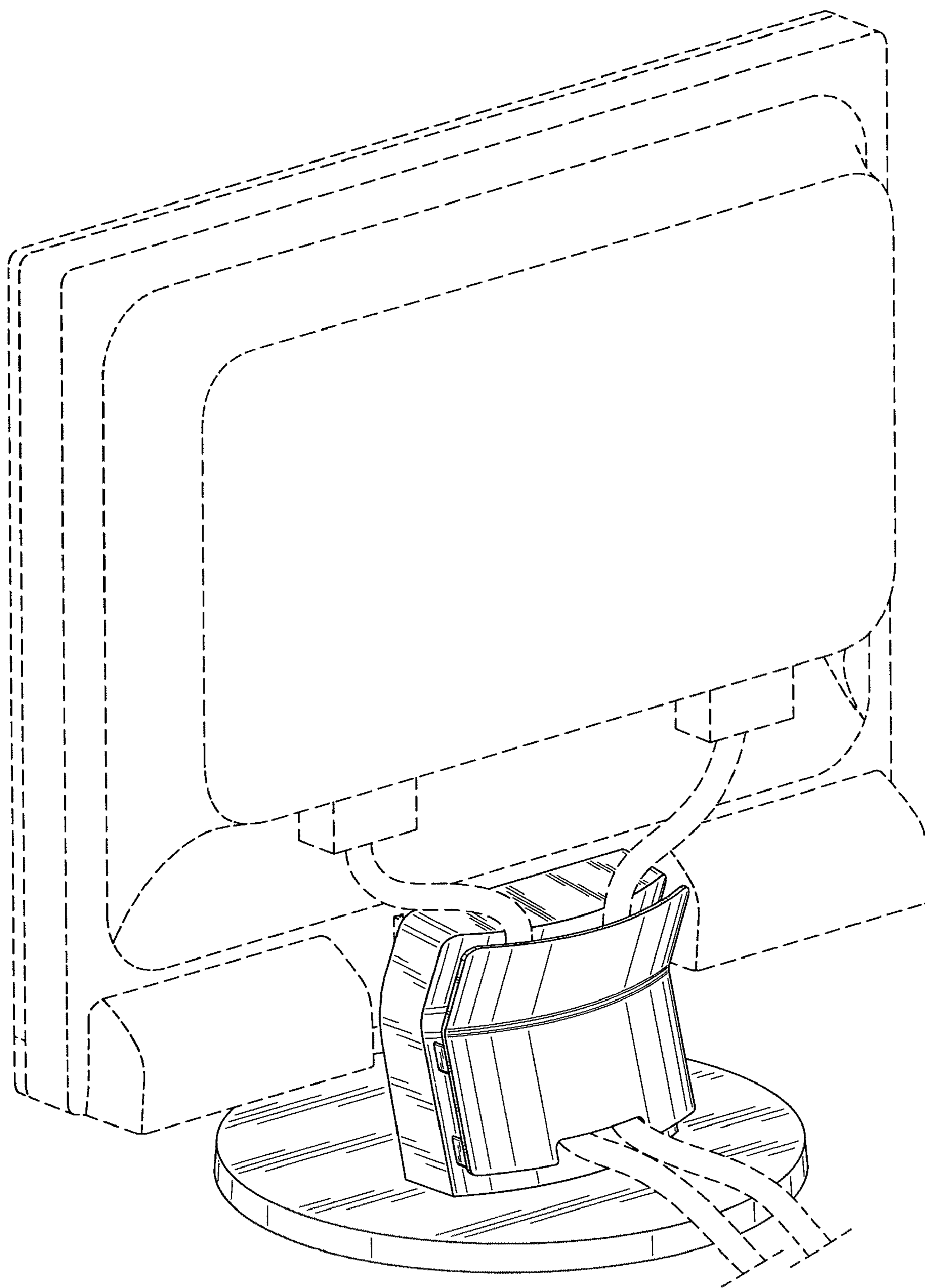


**FIG. 6**



**FIG. 7**





**FIG. 8**