



US00D624547S

(12) **United States Design Patent**
Kuroda et al.

(10) **Patent No.:** **US D624,547 S**

(45) **Date of Patent:** **** *Sep. 28, 2010**

(54) **SCANNER**

(75) Inventors: **Hiroyuki Kuroda**, Kahoku (JP);
Minoru Sugitani, Kahoku (JP); **Toshiki Satoji**, Milan (IT); **Luigi Zanca**, Milan (IT)

(73) Assignee: **PFU Limited**, Ishikawa (JP)

(**) Term: **14 Years**

(21) Appl. No.: **29/347,250**

(22) Filed: **Nov. 12, 2009**

(30) **Foreign Application Priority Data**

Sep. 7, 2009 (JP) 2009-020528

(51) **LOC (9) Cl.** **14-02**

(52) **U.S. Cl.** **D14/422**

(58) **Field of Classification Search** D14/420–425,
D14/462–470, 389, 125, 399; D18/50, 54,
D18/55, 53, 36–39, 14, 18–21, 49, 52, 51,
D18/54.4; 358/400, 401, 448, 474, 486–488,
358/496; 382/312, 317, 321, 315; 400/613,
400/613.1–613.4, 690.1–690.4, 691–694,
400/88, 175; 399/107, 379, 380, 211, 212;
235/462.11, 462.41, 472.01, 470, 462.43;
361/680, 681

See application file for complete search history.

(56) **References Cited**

U.S. PATENT DOCUMENTS

D316,869 S * 5/1991 Sugawara et al. D18/54
D366,900 S * 2/1996 Pangburn et al. D18/50
D373,595 S * 9/1996 Askren et al. D18/50
D375,119 S * 10/1996 Pangburn D18/50
D382,256 S * 8/1997 Lin D14/422
D401,965 S * 12/1998 Pangburn D18/55
D414,508 S * 9/1999 Pangburn D18/55
D420,663 S * 2/2000 Goldenberg et al. . D14/138 AB
D421,768 S * 3/2000 Blair et al. D18/50
D422,570 S * 4/2000 Kobayashi D14/509
D423,563 S * 4/2000 Collins et al. D18/55

D424,099 S * 5/2000 Pangburn D18/50
D432,565 S * 10/2000 Gassett et al. D18/55
D433,443 S * 11/2000 Ito et al. D18/55
D435,266 S * 12/2000 Sekine et al. D18/55
D435,267 S * 12/2000 Beck et al. D18/55
D438,895 S * 3/2001 Pangburn D18/55
D439,607 S * 3/2001 Inoue et al. D18/54
6,231,043 B1 * 5/2001 James et al. 271/209

(Continued)

FOREIGN PATENT DOCUMENTS

JP 1361496 6/2009

OTHER PUBLICATIONS

U.S. Appl. No. 29/347,249, filed Nov. 12, 2009, Hiroyuki Kuroda et al., PFU Limited.

(Continued)

Primary Examiner—Susan M Lee

(74) *Attorney, Agent, or Firm*—Staas & Halsey LLP

(57) **CLAIM**

The ornamental design for a scanner, as shown and described.

DESCRIPTION

FIG. 1 is a front perspective view of a scanner showing our new design;

FIG. 2 is a front view thereof;

FIG. 3 is a rear view thereof;

FIG. 4 is a left side view thereof;

FIG. 5 is a right side view thereof;

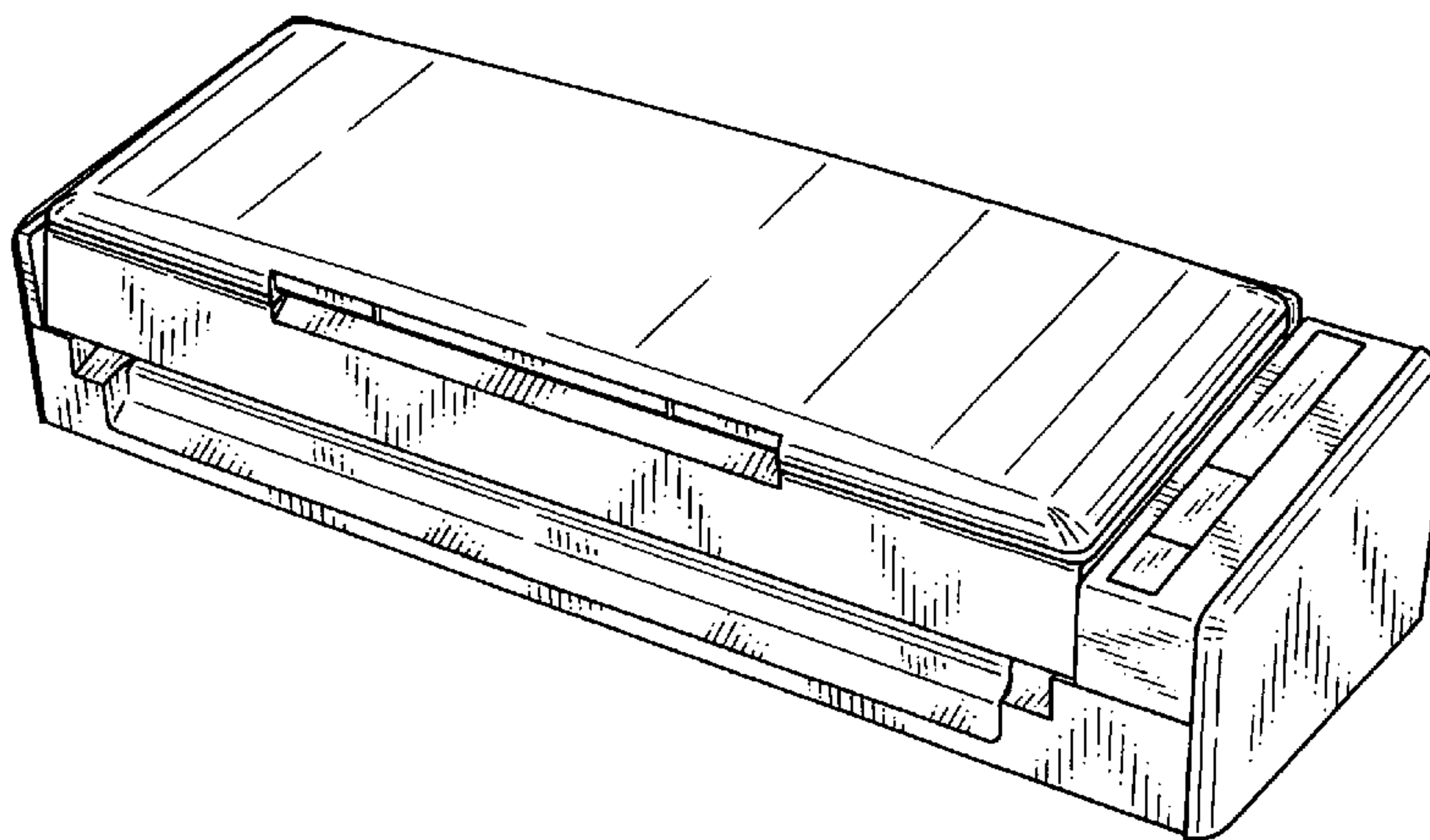
FIG. 6 is a top plan view thereof;

FIG. 7 is a bottom plan view thereof; and,

FIG. 8 is a perspective view thereof in open position.

The broken line in the drawings is for illustrative purpose only and forms no part of the claimed design.

1 Claim, 3 Drawing Sheets



U.S. PATENT DOCUMENTS

D452,706	S *	1/2002	Senshiki	D18/55
D454,583	S *	3/2002	Whitby et al.	D18/50
D463,485	S *	9/2002	Yoshida et al.	D18/50
D465,515	S *	11/2002	Hwang et al.	D18/55
D466,552	S *	12/2002	Hwang et al.	D18/55
D466,920	S *	12/2002	Kawahara et al.	D18/50
D470,172	S *	2/2003	Tatara et al.	D18/55
6,540,219	B1 *	4/2003	Naruse et al.	271/37
D474,770	S *	5/2003	Chujou et al.	D14/425
6,557,992	B1 *	5/2003	Dwyer et al.	347/108
6,568,674	B2 *	5/2003	Matsuda	271/274
D478,119	S *	8/2003	Hwang et al.	D18/55
D480,752	S *	10/2003	Tatara et al.	D18/55
D483,059	S *	12/2003	Goh et al.	D18/50
D483,060	S *	12/2003	Wong et al.	D18/50
D483,061	S *	12/2003	Wong	D18/55
6,676,318	B2 *	1/2004	Hwang et al.	400/693
D486,178	S *	2/2004	Wong et al.	D18/55
6,707,584	B1 *	3/2004	Morita	358/498
D489,401	S *	5/2004	Senshiki et al.	D18/54
D492,960	S *	7/2004	Takizawa	D18/54
6,786,665	B2 *	9/2004	Hwang et al.	400/693
D497,940	S *	11/2004	Hwang et al.	D18/50
6,848,685	B2 *	2/2005	Katsuyama	271/162
6,899,422	B2 *	5/2005	Strowe et al.	347/108
6,899,474	B2 *	5/2005	Uchida et al.	400/27
6,962,412	B2 *	11/2005	Koike et al.	347/108
D514,161	S *	1/2006	Wong et al.	D18/55
6,991,331	B2 *	1/2006	Kagami et al.	347/108
7,029,113	B2 *	4/2006	Hwang	347/108
D523,469	S *	6/2006	Hwang et al.	D18/50
D524,851	S *	7/2006	Wong et al.	D18/55
D533,897	S *	12/2006	Workman et al.	D18/34.3
D534,204	S *	12/2006	Workman et al.	D18/34.3
D536,731	S *	2/2007	Tate et al.	D18/50
D543,583	S *	5/2007	Workman et al.	D18/34.3
D545,891	S *	7/2007	Ramos et al.	D18/49
D549,705	S *	8/2007	Sugitani et al.	D14/422
7,265,869	B2 *	9/2007	Silverbrook et al.	358/1.3
7,290,952	B2 *	11/2007	Kagami	400/693
D563,413	S *	3/2008	Kuroda et al.	D14/422
D564,519	S *	3/2008	Genatossio et al.	D14/422
7,431,447	B2 *	10/2008	Jensen	347/108
2003/0030712	A1 *	2/2003	Kawaguchi et al.	347/104
2003/0206762	A1 *	11/2003	Hwang et al.	400/693
2004/0004642	A1 *	1/2004	Koike et al.	347/5
2004/0207144	A1 *	10/2004	Kanome et al.	271/9.01

OTHER PUBLICATIONS

U.S. Appl. No. 29/347,248, filed Nov. 12, 2009, Hiroyuki Kuroda et al., PFU Limited.

U.S. Appl. No. 29/347,247, filed Nov. 12, 2009, Hiroyuki Kuroda et al., PFU Limited.

Notice of Allowance issued on Apr. 12, 2010 in corresponding U.S. Des. Appl. No. 29/347,249.

Notice of Allowance issued on Apr. 7, 2010 in corresponding U.S. Des. Appl. No. 29/347,248.

Notice of Allowance issued on Apr. 6, 2010 in corresponding U.S. Des. Appl. No. 29/347,247.

* cited by examiner

Fig.1

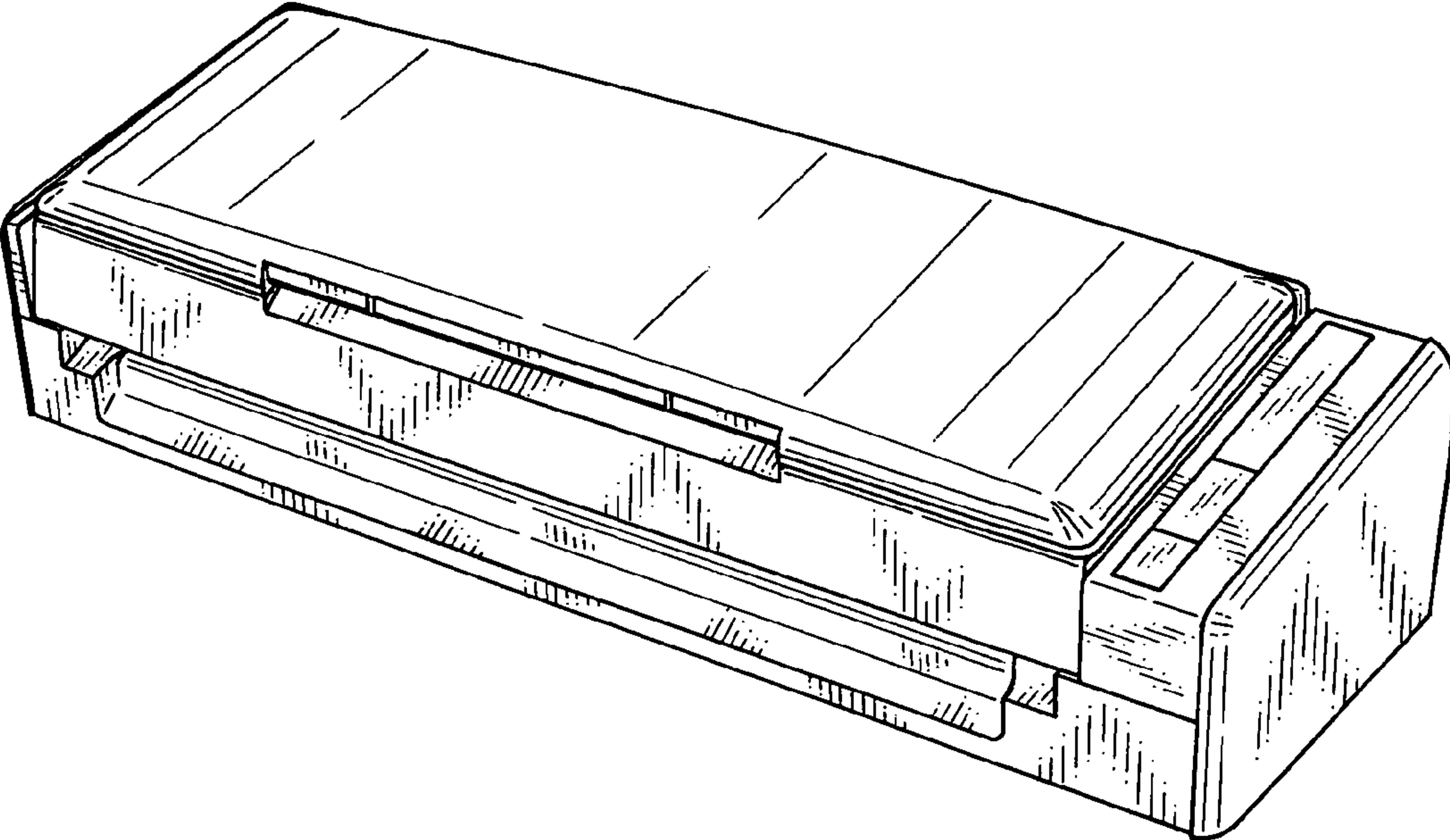


Fig.2

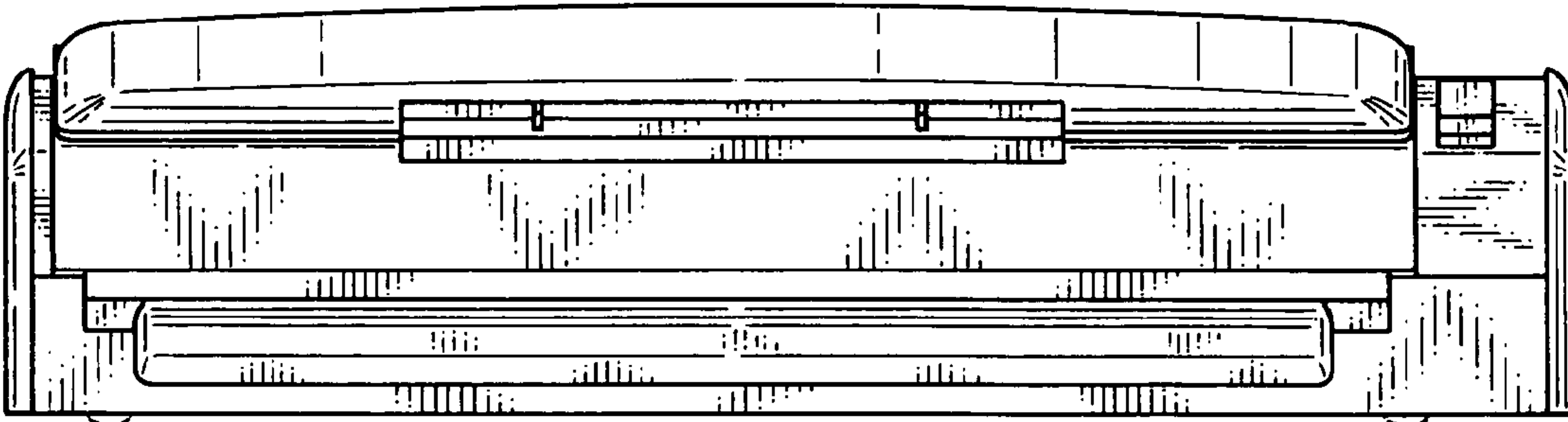


Fig.3

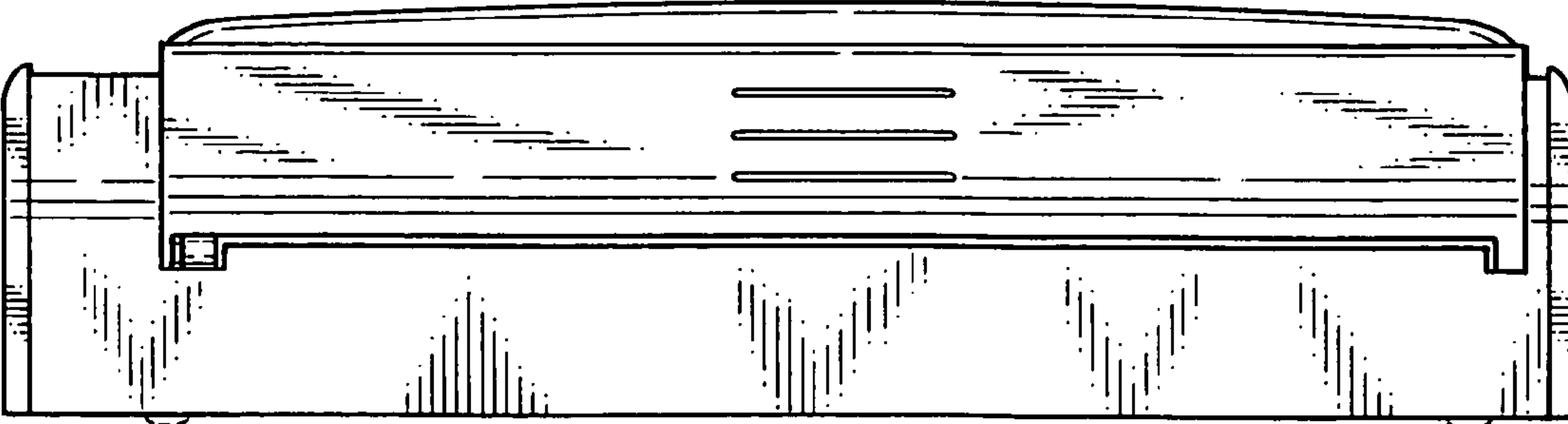


Fig.4

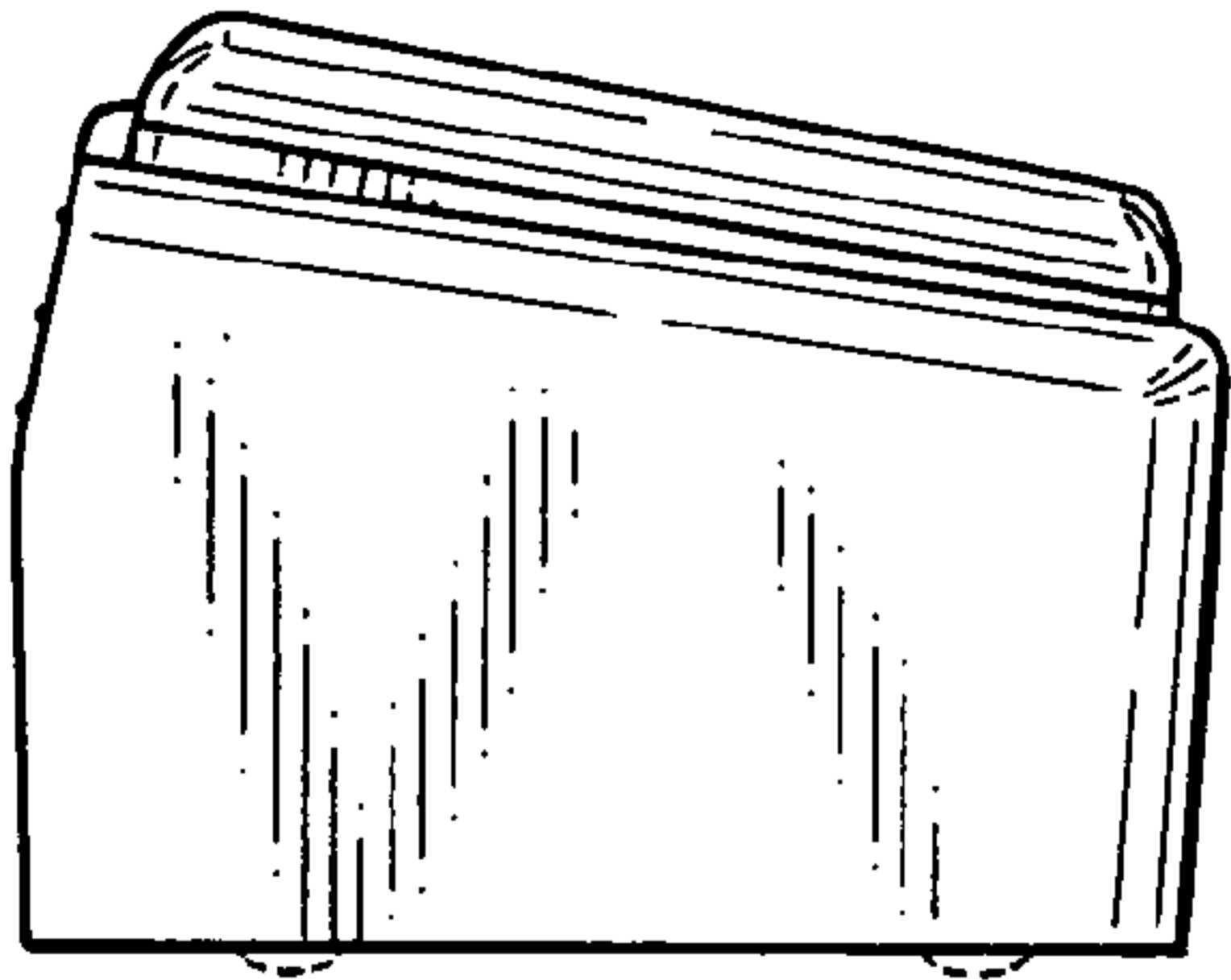


Fig.5

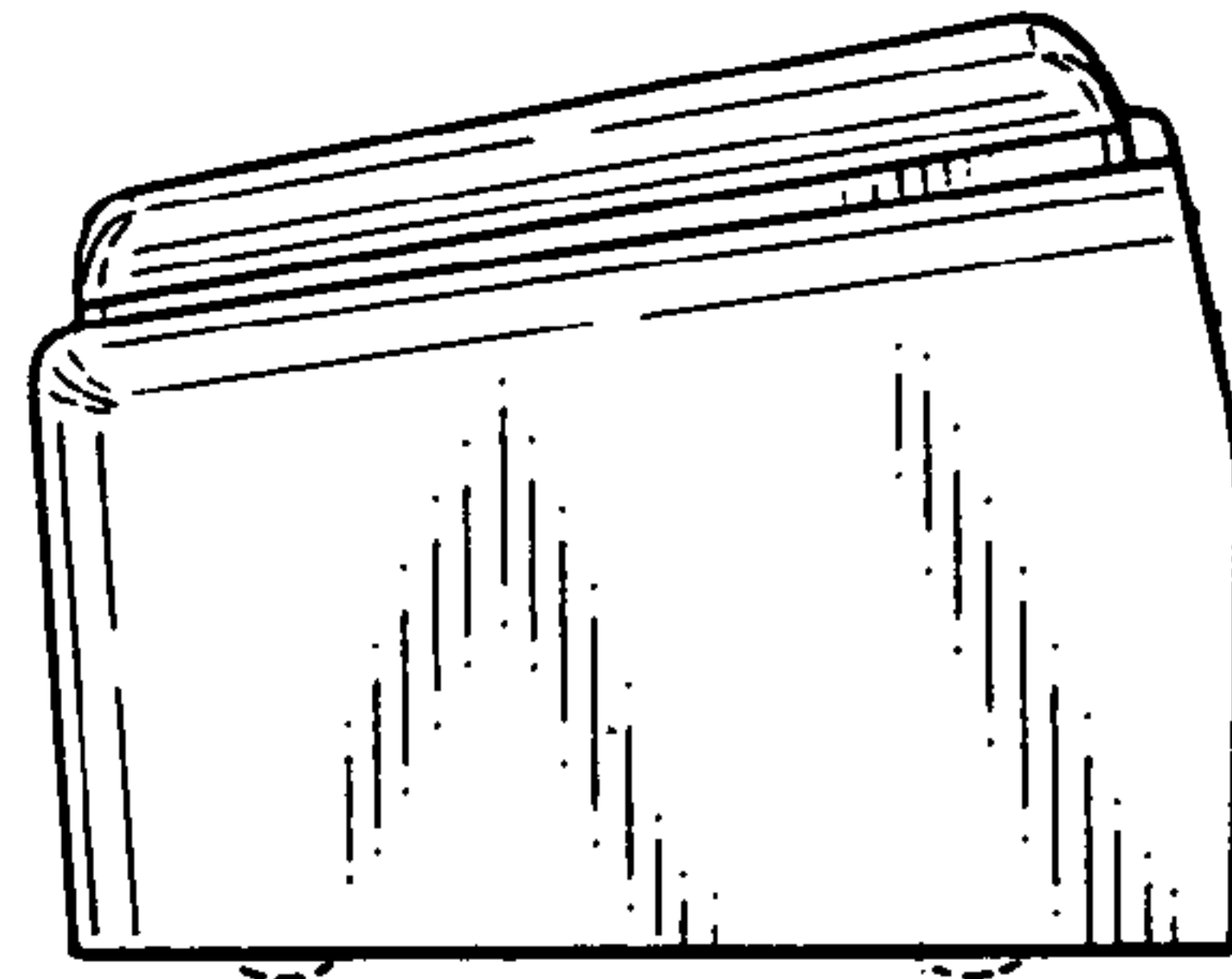


Fig.6

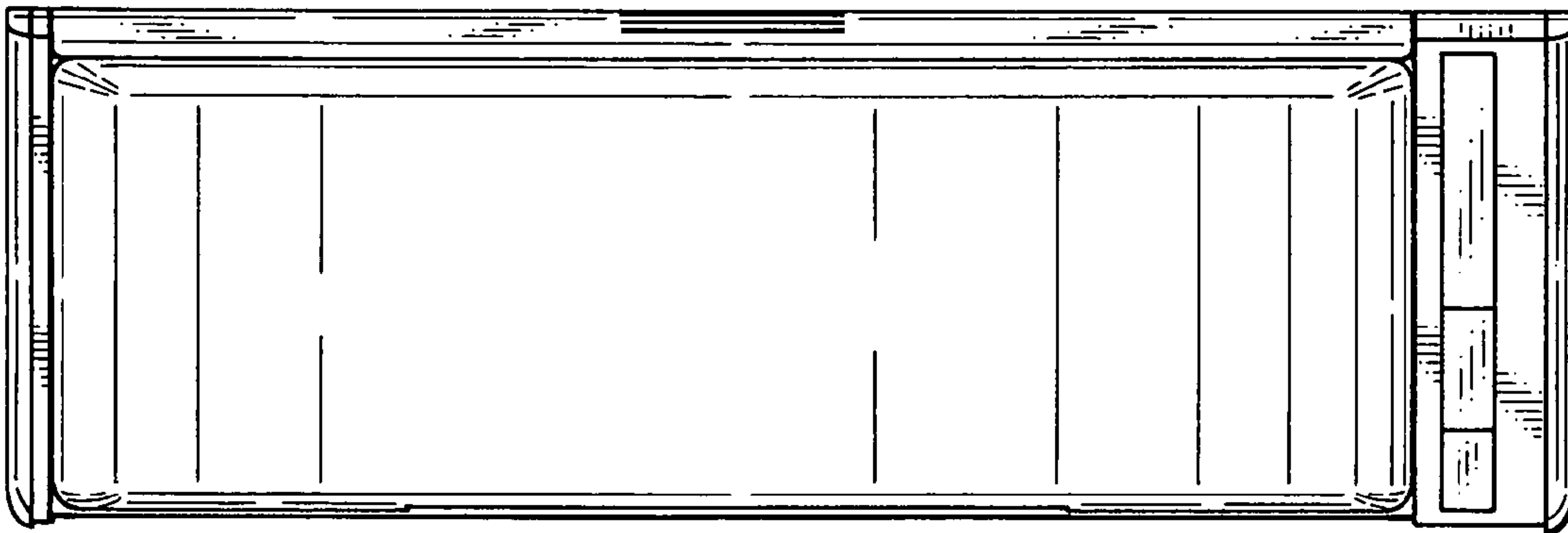


Fig.7

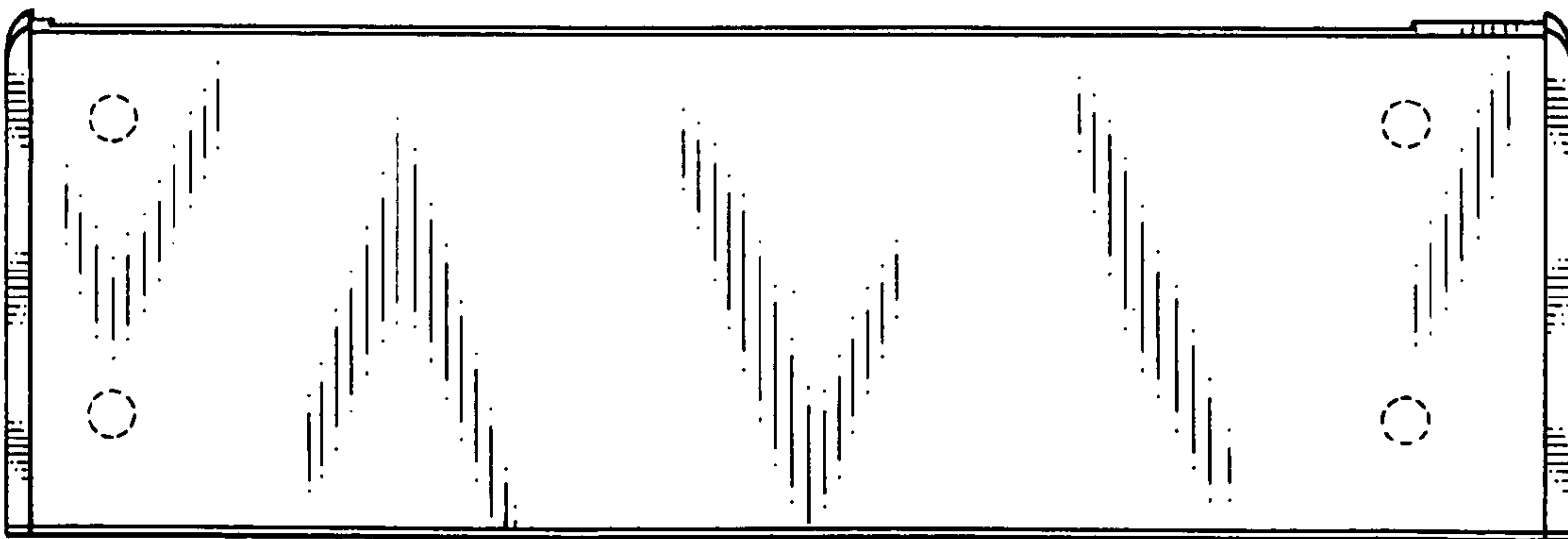


Fig. 8

