



US00D624543S

(12) **United States Design Patent**
Kettula

(10) **Patent No.:** **US D624,543 S**

(45) **Date of Patent:** **** Sep. 28, 2010**

(54) **INPUT DEVICE**

(75) Inventor: **Janne Kettula**, Espoo (FI)

(73) Assignee: **Nokia Corporation**, Espoo (FI)

(**) Term: **14 Years**

(21) Appl. No.: **29/317,290**

(22) Filed: **Apr. 25, 2008**

(51) **LOC (9) Cl.** **14-02**

(52) **U.S. Cl.** **D14/388**; D14/218

(58) **Field of Classification Search** D14/356-358,
D14/383-385, 432-439, 442, 447, 451, 453,
D14/474, 155, 217, 242, 299, 402-411, 218;
D13/107, 108, 118, 120, 123, 133, 146, 147,
D13/154, 158, 182, 184, 199; 345/156-167;
463/36-38; 358/471-473

See application file for complete search history.

(56) **References Cited**

U.S. PATENT DOCUMENTS

D376,140	S	*	12/1996	Schultz	D14/405
D382,261	S	*	8/1997	Kaneko et al.	D14/417
D399,499	S	*	10/1998	Kaneko et al.	D14/417
D408,017	S	*	4/1999	Matsuoka	D13/168
D440,206	S	*	4/2001	Carroll et al.	D13/162
6,225,980	B1	*	5/2001	Weiss et al.	345/161
6,275,215	B1	*	8/2001	Kim	345/163
6,359,611	B2	*	3/2002	Chan	345/156
D487,450	S	*	3/2004	Hakoda	D14/218
6,791,534	B2	*	9/2004	Tada et al.	345/167
6,828,958	B2	*	12/2004	Davenport	345/163

7,038,667	B1	*	5/2006	Vassallo et al.	345/184
7,106,303	B2	*	9/2006	Bricaud et al.	345/167
D534,536	S	*	1/2007	Matsuoka	D14/408
D555,605	S	*	11/2007	Parnell	D13/171
D555,651	S	*	11/2007	Pascucci	D14/408
D558,767	S	*	1/2008	Solland	D14/412
7,436,398	B2	*	10/2008	Yuasa et al.	345/184
D579,937	S	*	11/2008	Cohen	D14/408
D583,377	S		12/2008	Bradford et al.		

* cited by examiner

Primary Examiner—Cathron C Brooks

Assistant Examiner—Deanna Fluegeman

(74) *Attorney, Agent, or Firm*—Banner & Witcoff, Ltd.

(57) **CLAIM**

The ornamental design for an input device, as shown and described.

DESCRIPTION

FIG. 1 is a front perspective view of an input device showing my new design;

FIG. 2 is a front view thereof;

FIG. 3 is a rear view thereof;

FIG. 4 is a right side view thereof;

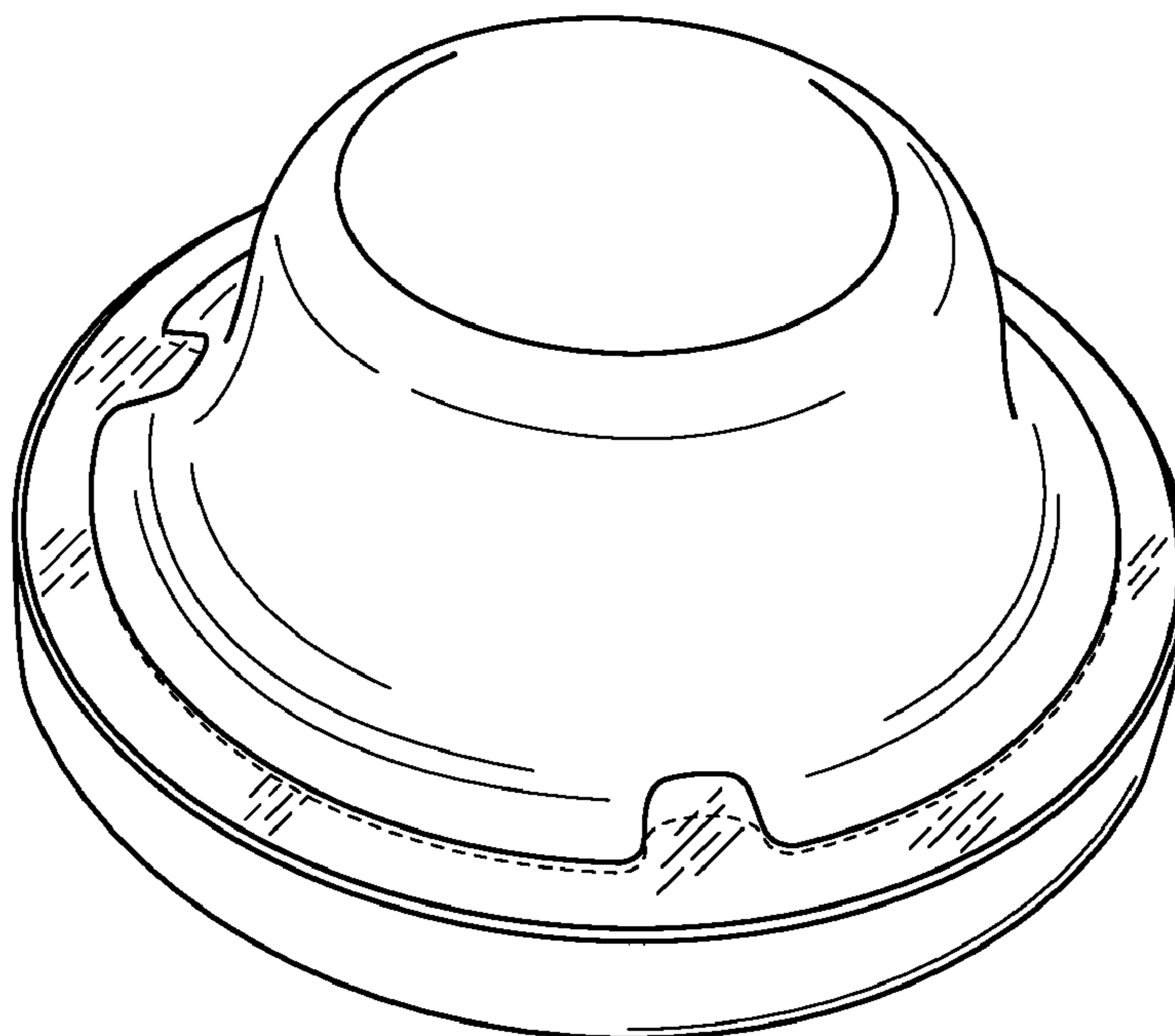
FIG. 5 is a left side view thereof;

FIG. 6 is a top view thereof; and,

FIG. 7 is a bottom view thereof.

The broken lines in FIGS. 1-7 illustrate unclaimed portions of the input device and form no part of the claimed design.

1 Claim, 4 Drawing Sheets



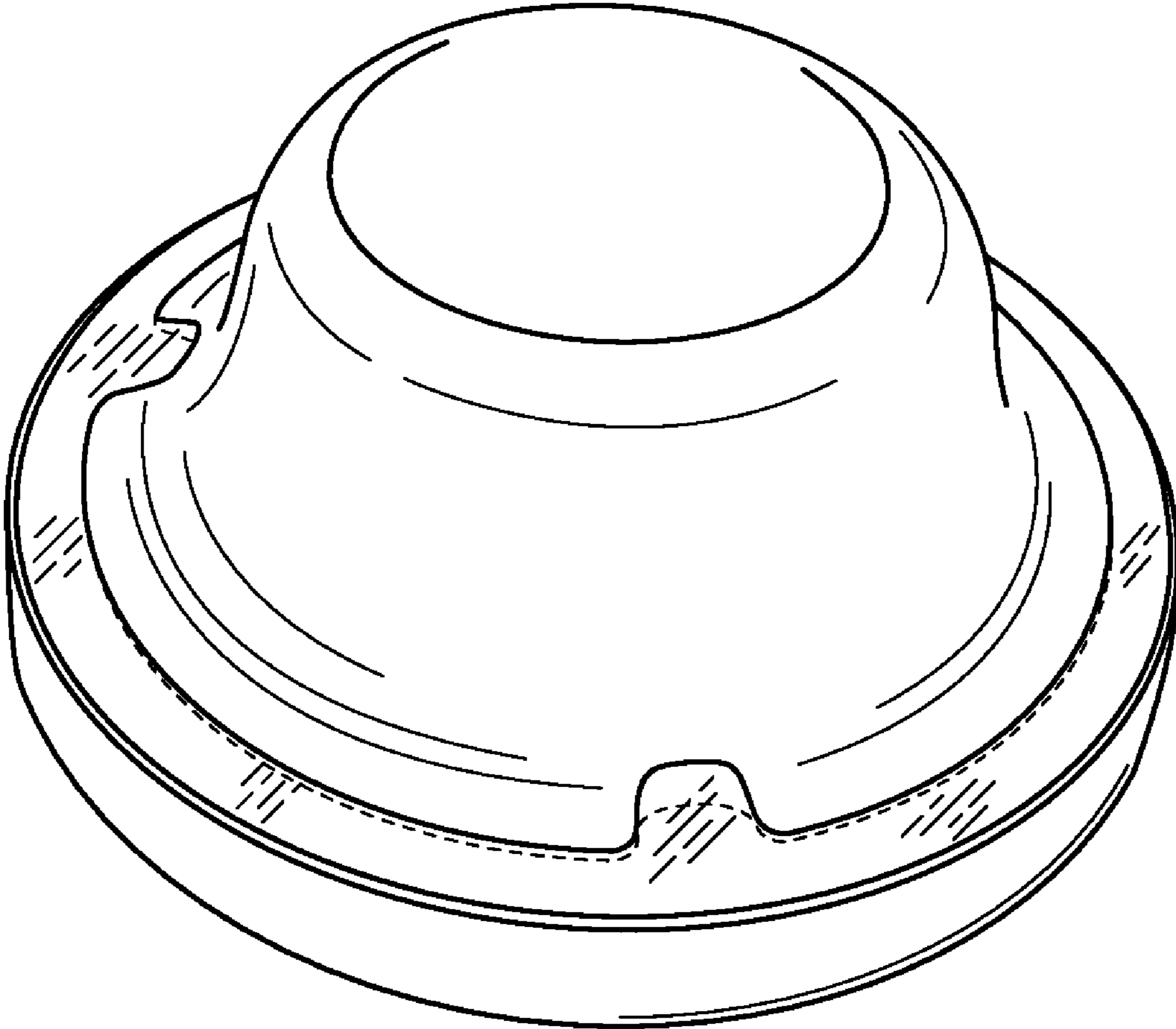


FIG. 1

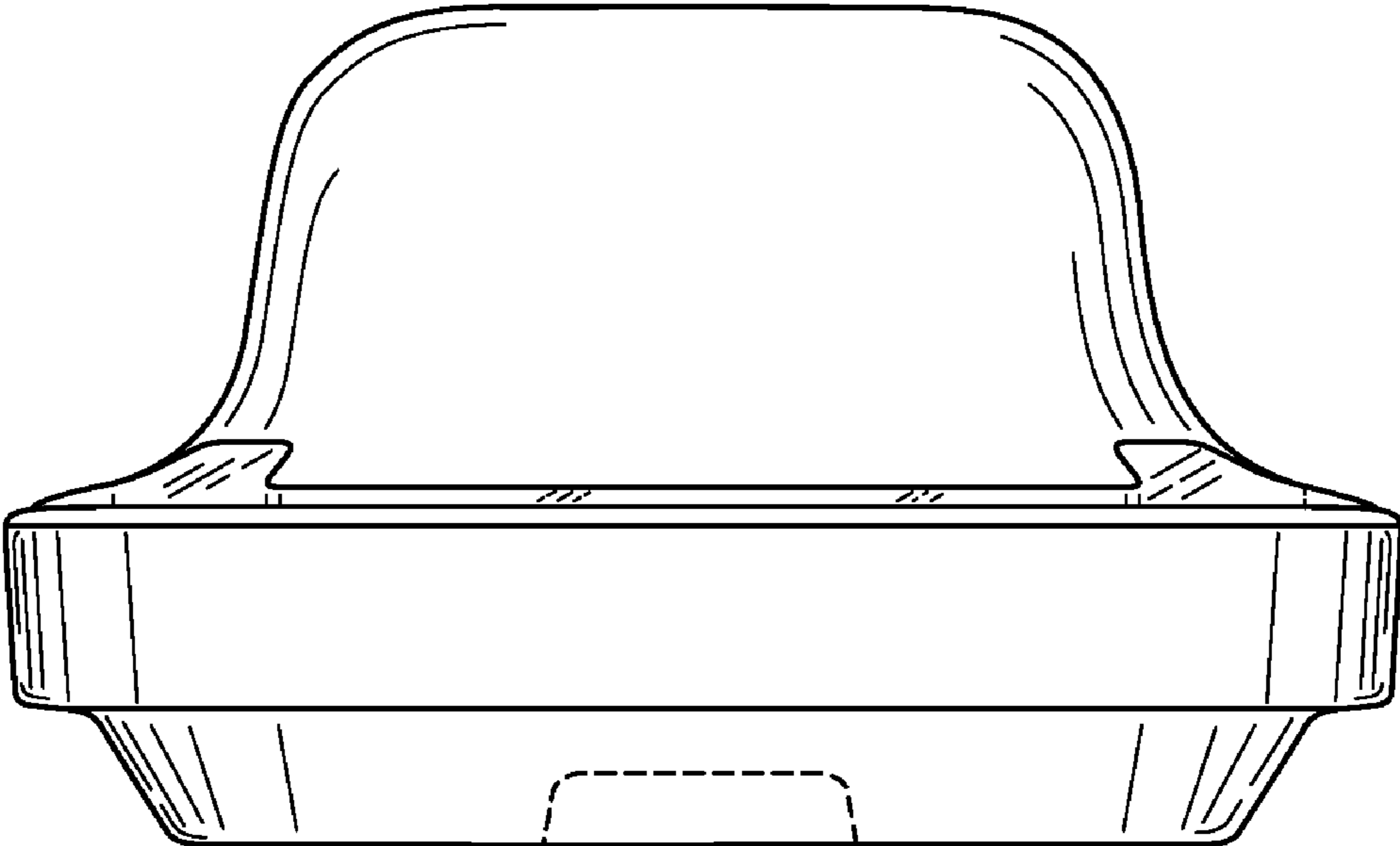


FIG. 2

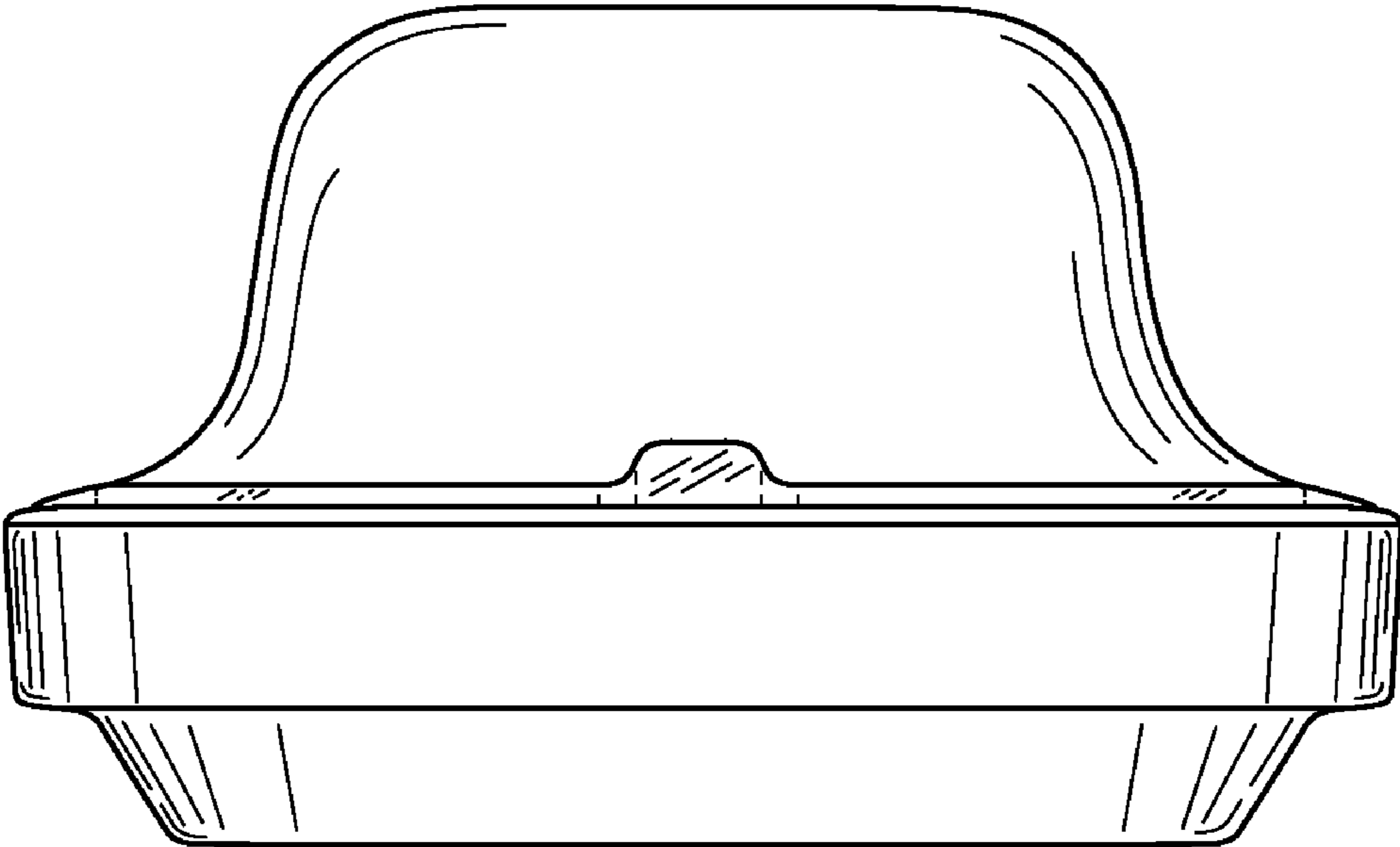


FIG. 3

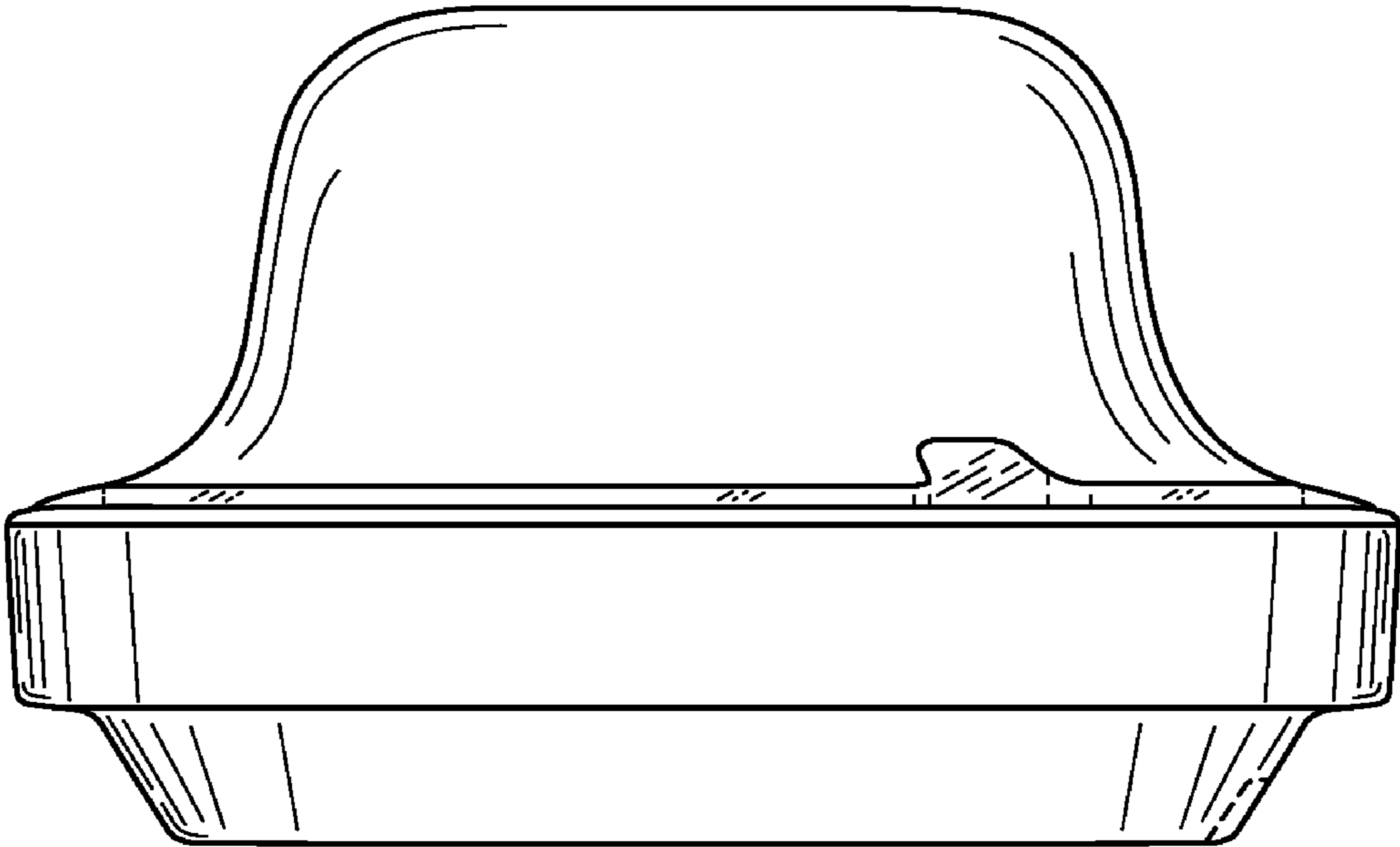


FIG. 4

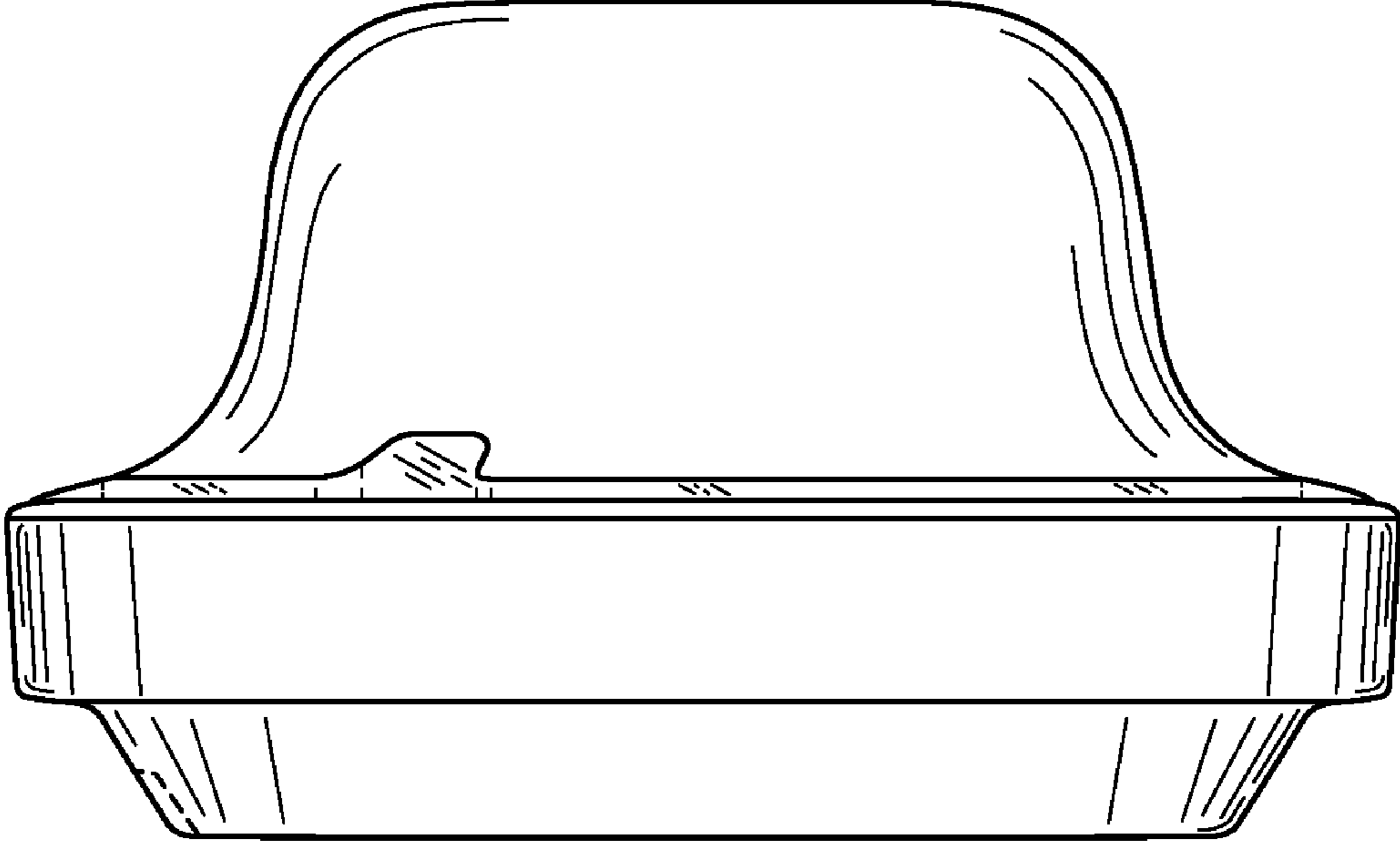


FIG. 5

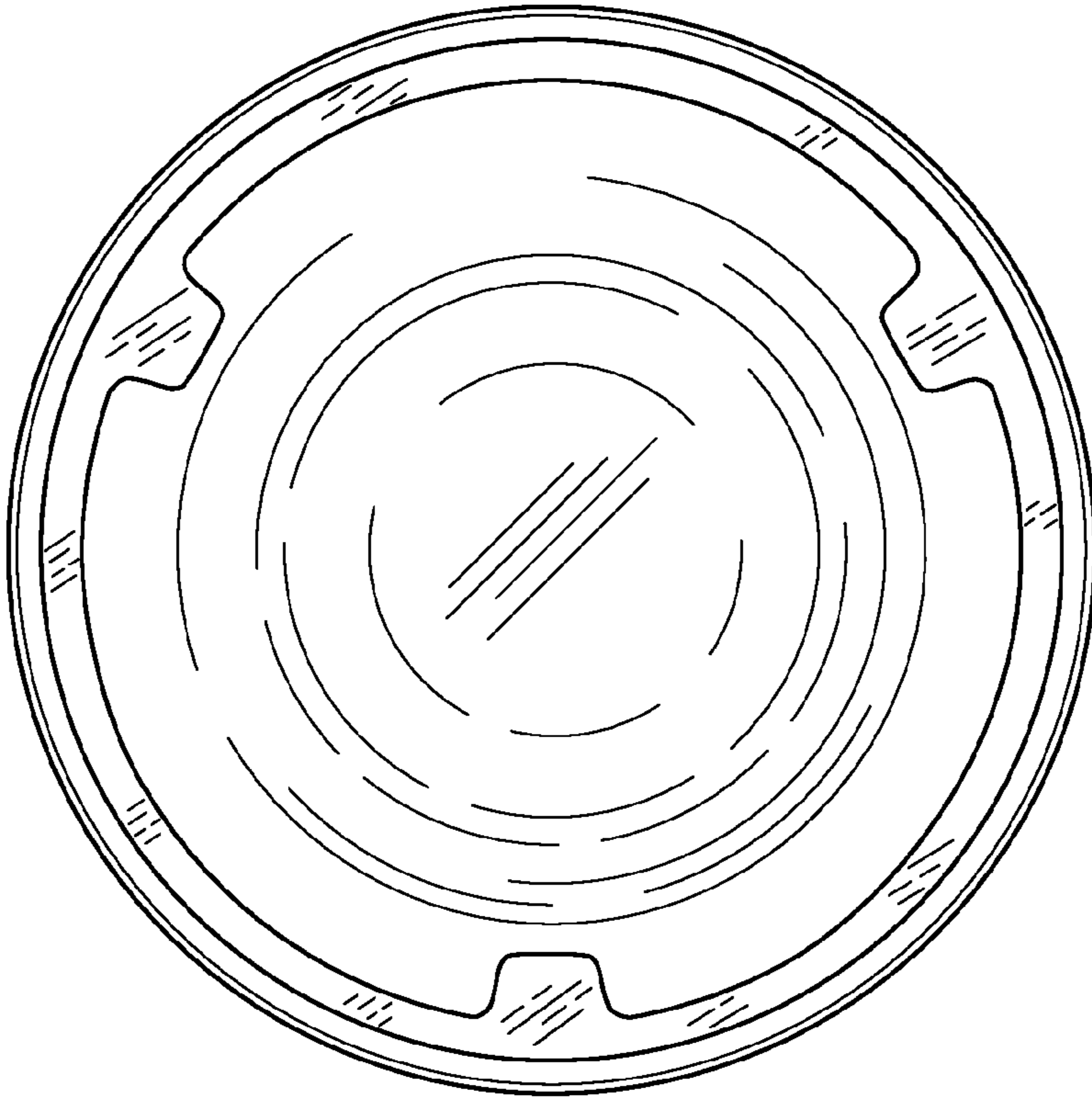


FIG. 6

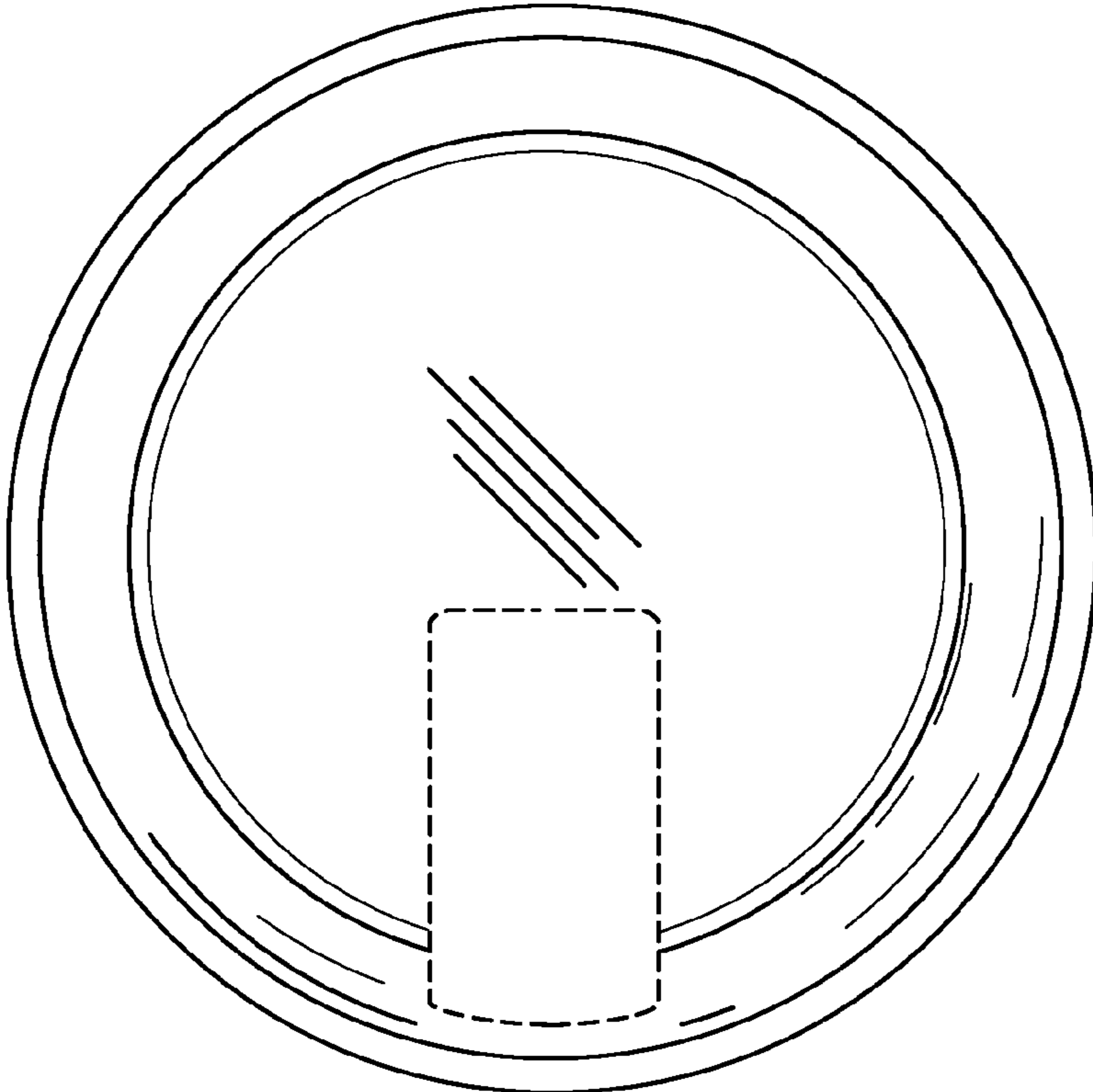


FIG. 7