



US00D624542S

(12) **United States Design Patent**
Tang

(10) **Patent No.:** **US D624,542 S**

(45) **Date of Patent:** **** Sep. 28, 2010**

(54) **DISPLAY**

(76) **Inventor:** **Jack Tang**, 1F, No. 7, Alley 27, Lane
247, Chung Cheng Rd., Hsin Tien City,
Taipei Hsien (TW)

(**) **Term:** **14 Years**

(21) **Appl. No.:** **29/347,422**

(22) **Filed:** **Dec. 30, 2009**

(51) **LOC (9) Cl.** **14-02**

(52) **U.S. Cl.** **D14/371**

(58) **Field of Classification Search** D14/371-375,
D14/336, 337, 341, 320, 331, 125-129; 341/12,
341/22; 345/104, 156, 168, 173, 901-905;
348/180, 184, 325, 837; 349/1, 2, 11, 62;
361/679.08, 679.21, 679.23, 679.27

See application file for complete search history.

(56) **References Cited**

U.S. PATENT DOCUMENTS

D453,333 S *	2/2002	Chen	D14/374
D466,500 S *	12/2002	Lo et al.	D14/336
D494,174 S *	8/2004	Hsu Li	D14/374
D497,362 S *	10/2004	Wang et al.	D14/371
D505,676 S *	5/2005	Porter et al.	D14/388
D514,558 S *	2/2006	Nagel et al.	D14/341

D572,025 S *	7/2008	Kwon	D6/308
D582,916 S *	12/2008	Wada	D14/371
D589,510 S *	3/2009	Wada	D14/371
D596,173 S *	7/2009	Arfin	D14/307
D605,647 S *	12/2009	Chern et al.	D14/336
2002/0040541 A1 *	4/2002	Wang	40/714
2003/0236102 A1 *	12/2003	Kawai et al.	455/550.1

* cited by examiner

Primary Examiner—Freda S Nunn

(74) *Attorney, Agent, or Firm*—Bacon & Thomas, PLLC

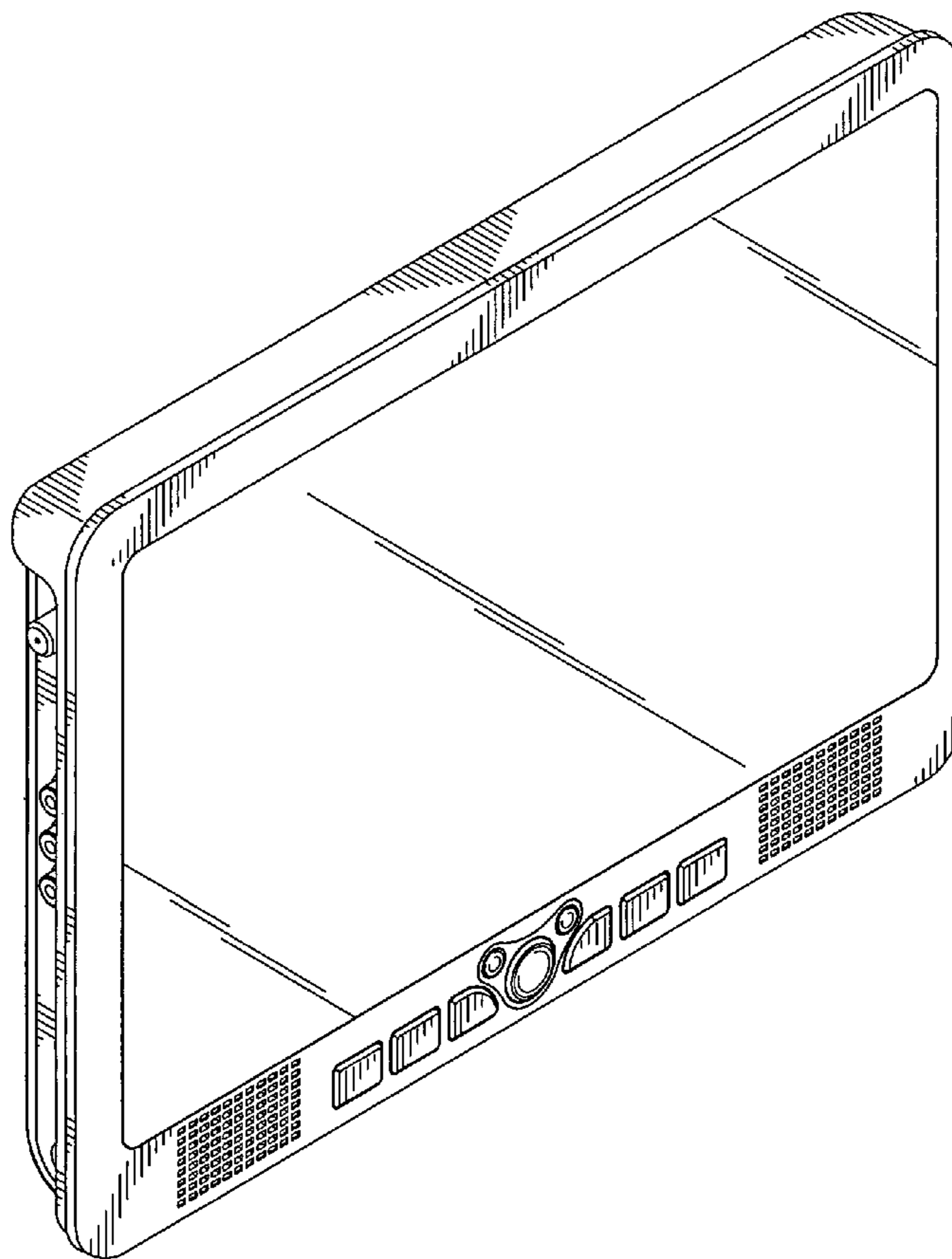
(57) **CLAIM**

The ornamental design for a display, as shown.

DESCRIPTION

FIG. 1 shows a perspective view of the present design;
 FIG. 2 shows a right side elevational view of the present design;
 FIG. 3 shows a top plan view of the present design;
 FIG. 4. shows a front elevational view of the present design;
 FIG. 5 shows a bottom plan view of the present design;
 FIG. 6 shows a left side elevational view of the present design;
 and,
 FIG. 7 shows a rear elevational view of the present design.

1 Claim, 7 Drawing Sheets



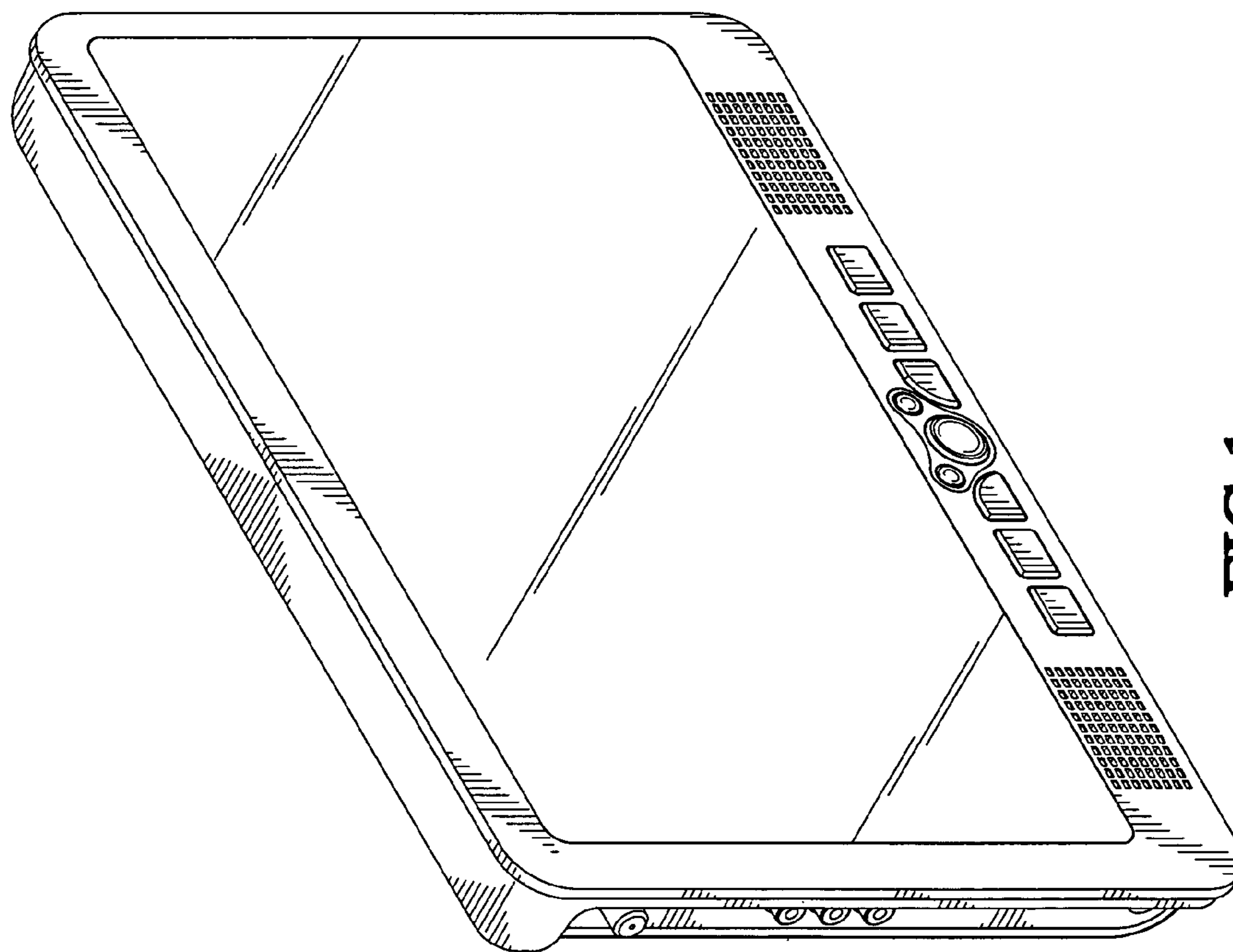


FIG.1

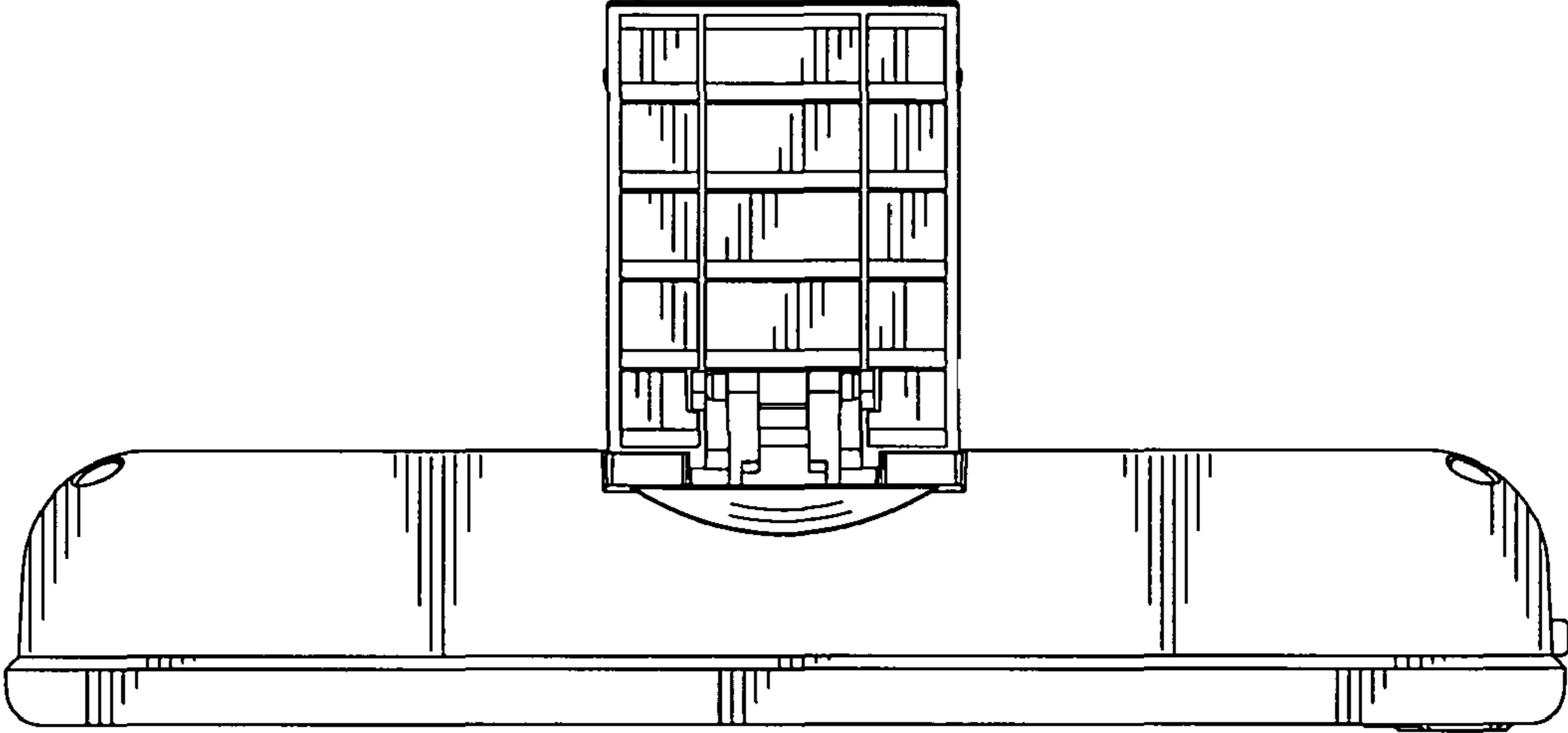


FIG.2

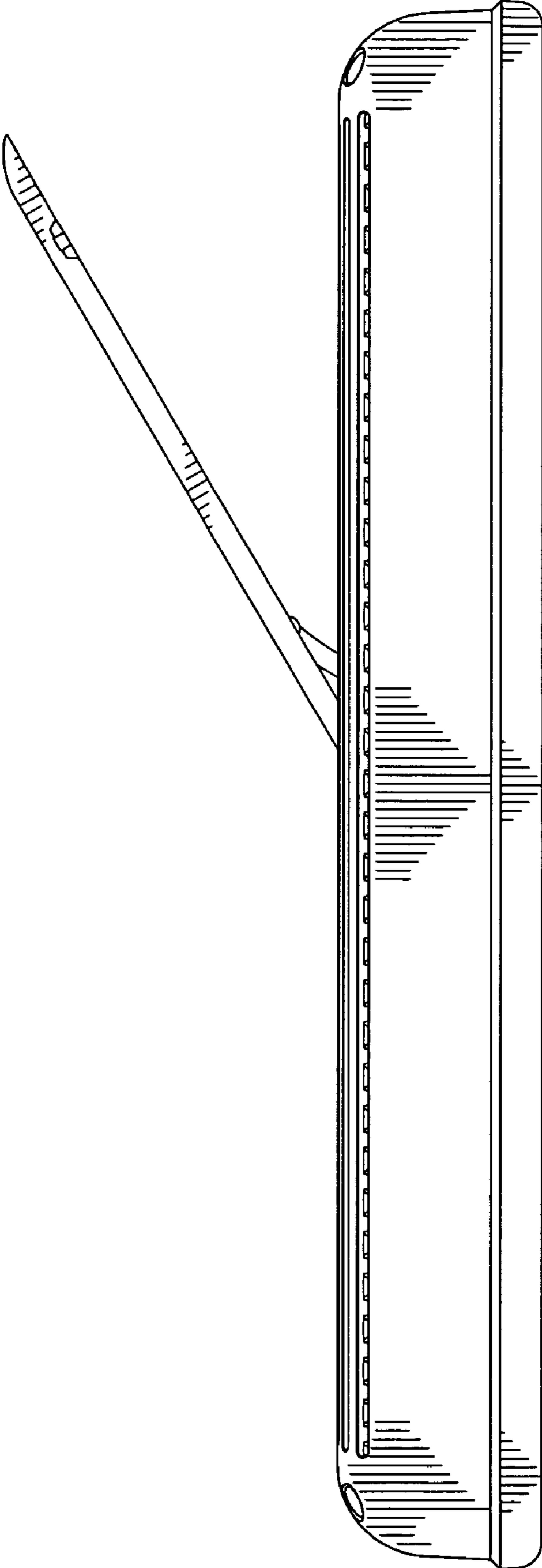


FIG.3

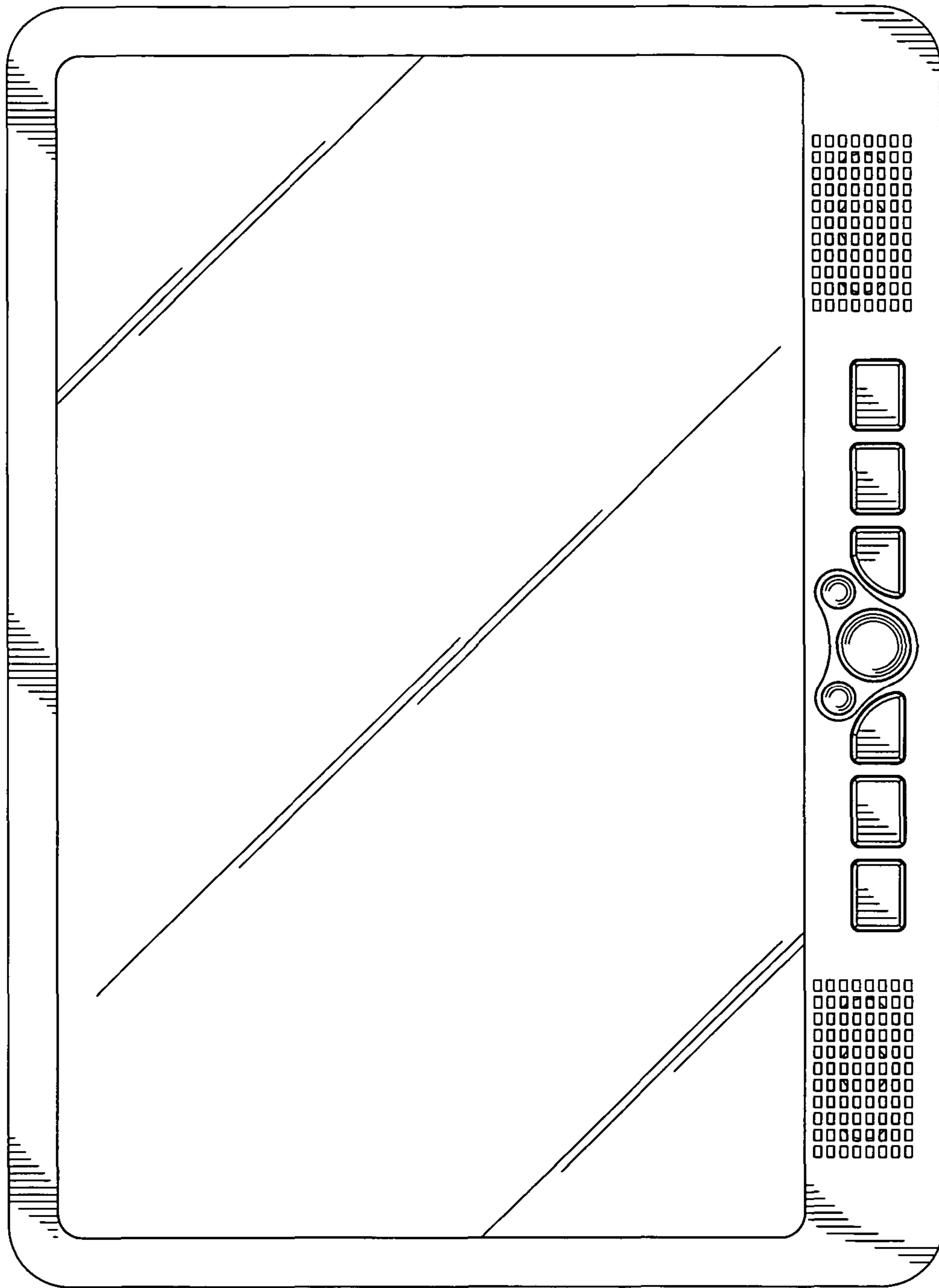


FIG.4

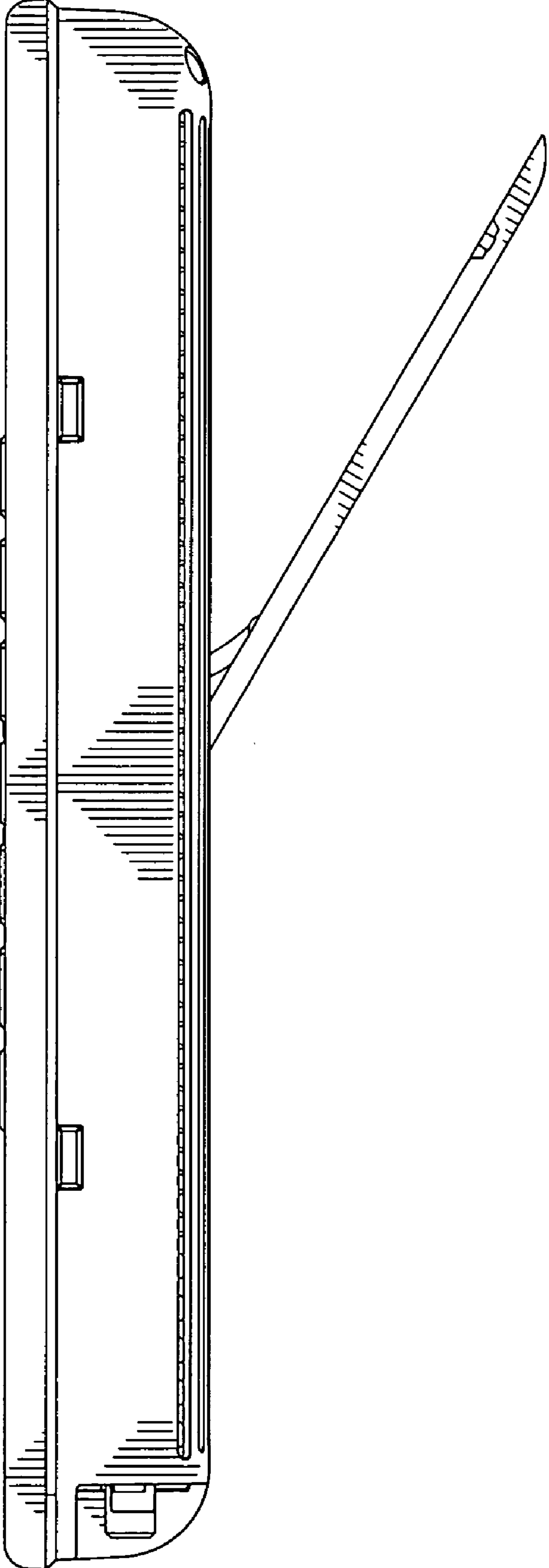


FIG.5

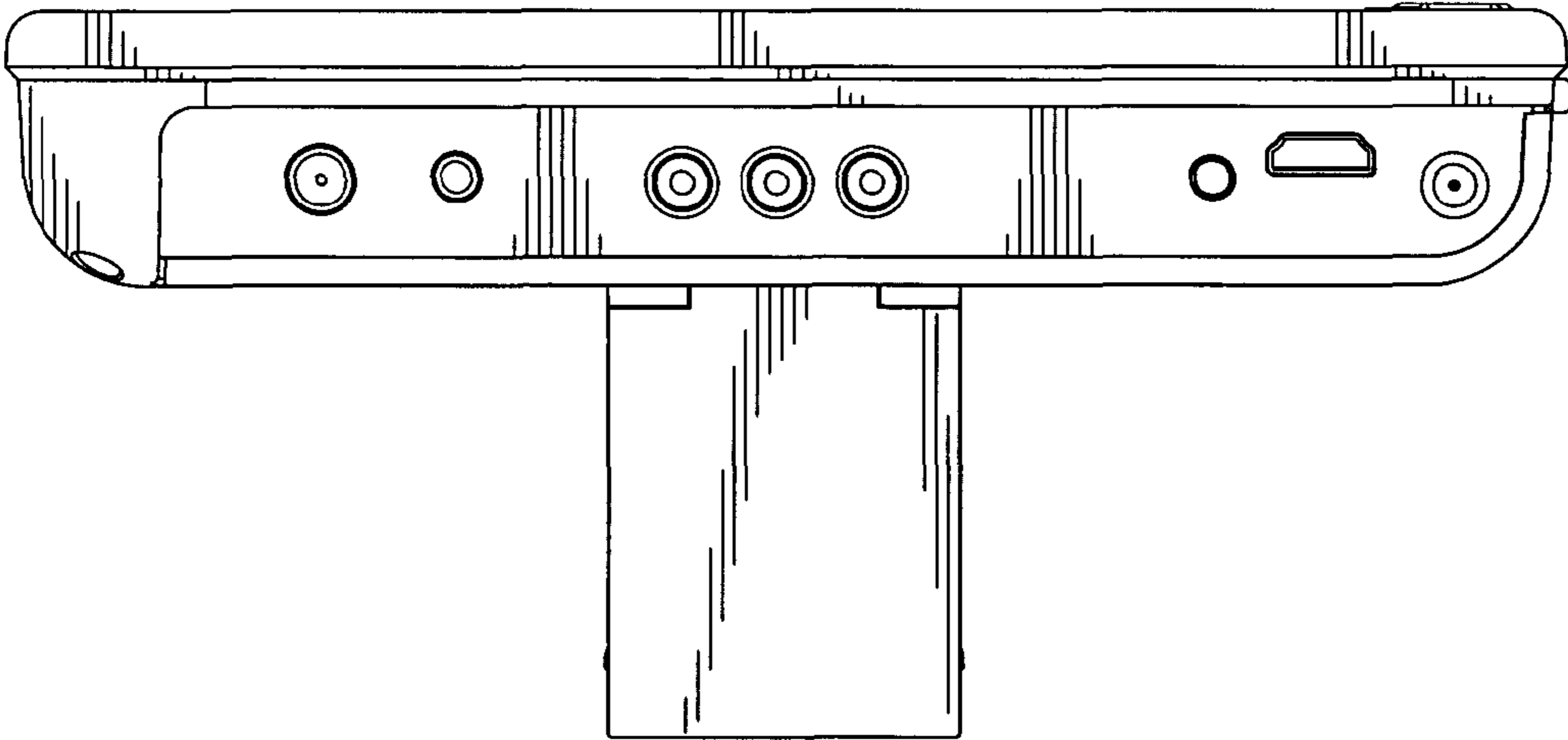


FIG.6

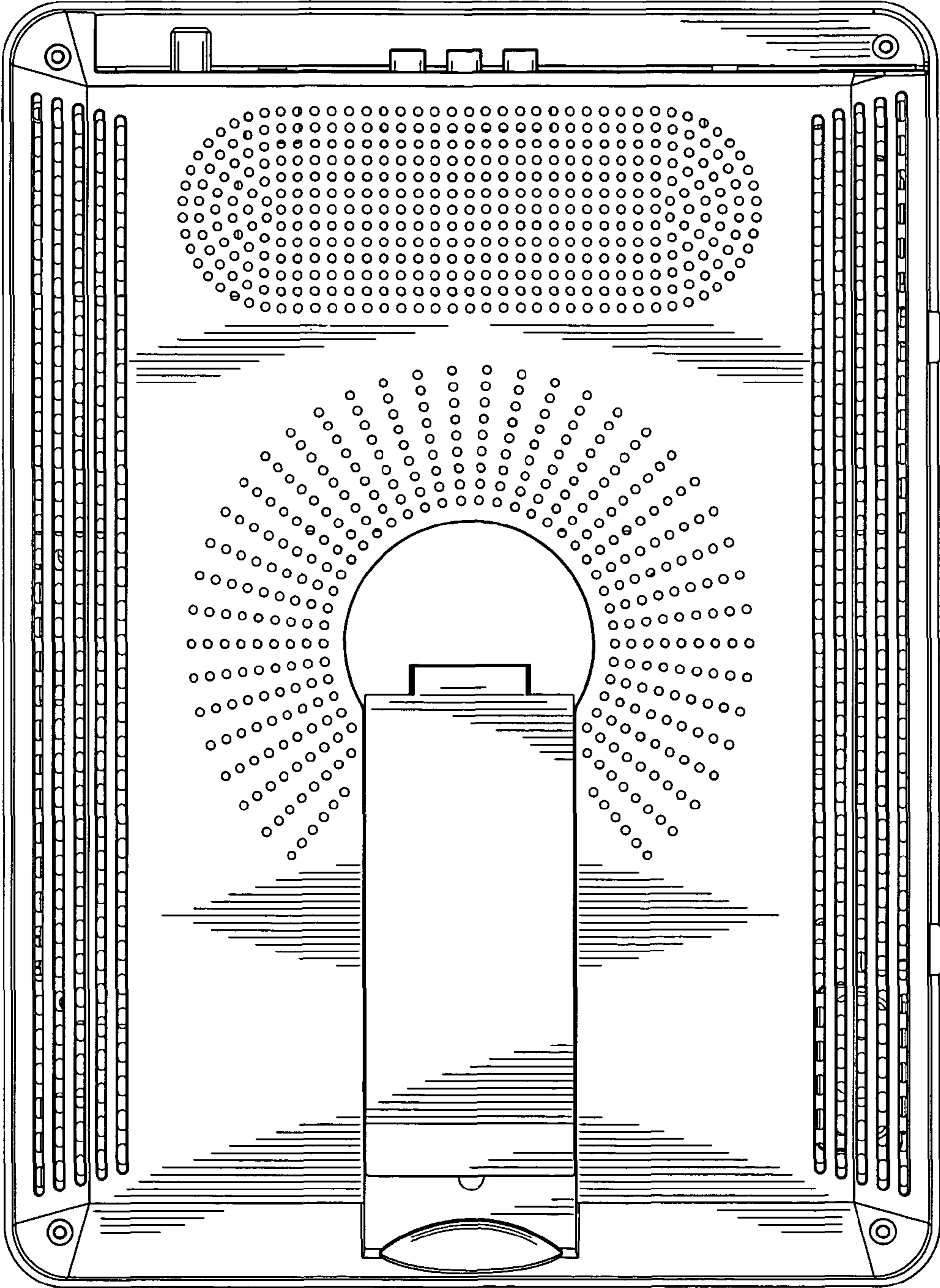


FIG.7