



US00D624541S

(12) **United States Design Patent**
Kemery et al.

(10) **Patent No.:** **US D624,541 S**

(45) **Date of Patent:** **** Sep. 28, 2010**

(54) **NETWORK DEVICE HOUSING**

D597,543 S * 8/2009 Urban D14/356
D601,561 S * 10/2009 Nunes et al. D14/358

(75) Inventors: **Michael Kemery**, Seattle, WA (US);
Jason Martin, Lake Oswego, OR (US)

* cited by examiner

(73) Assignee: **T-Mobile USA, Inc.**, Bellevue, WA (US)

Primary Examiner—Cathron C Brooks

Assistant Examiner—Karen E Kearney

(**) Term: **14 Years**

(74) *Attorney, Agent, or Firm*—Perkins Coie LLP

(21) Appl. No.: **29/334,334**

(57) **CLAIM**

(22) Filed: **Mar. 24, 2009**

The ornamental design for a network device housing, as shown and described.

(51) **LOC (9) Cl.** **14-02**

(52) **U.S. Cl.** **D14/358; D14/240**

(58) **Field of Classification Search** D14/137,
D14/167, 168, 218, 230, 231, 233, 235, 237,
D14/240–242, 299, 432, 435, 436, 155, 496,
D14/300, 301, 313, 314, 214, 348–363, 365–370;
D18/56; D13/149, 162, 184, 199; D3/201,
D3/273; D10/65, 75, 78; 312/223.1, 223.2;
369/34.01, 36.01, 272.1; 360/132, 133, 135;
361/679.31–679.45

See application file for complete search history.

DESCRIPTION

FIG. 1 is a first perspective view of an embodiment of a network device housing including at least one ventilation opening.

FIG. 2 is a second perspective view thereof.

FIG. 3 is a third perspective view thereof, with a cover part spaced apart from the housing.

FIG. 4 is a top view thereof.

FIG. 5 is a bottom view thereof.

FIG. 6 is a front view thereof.

FIG. 7 is a back view thereof, with the left side and right side views being generally identical thereto; and,

FIG. 8 is a cross-sectional view thereof taken substantially along lines 8—8 of FIG. 4.

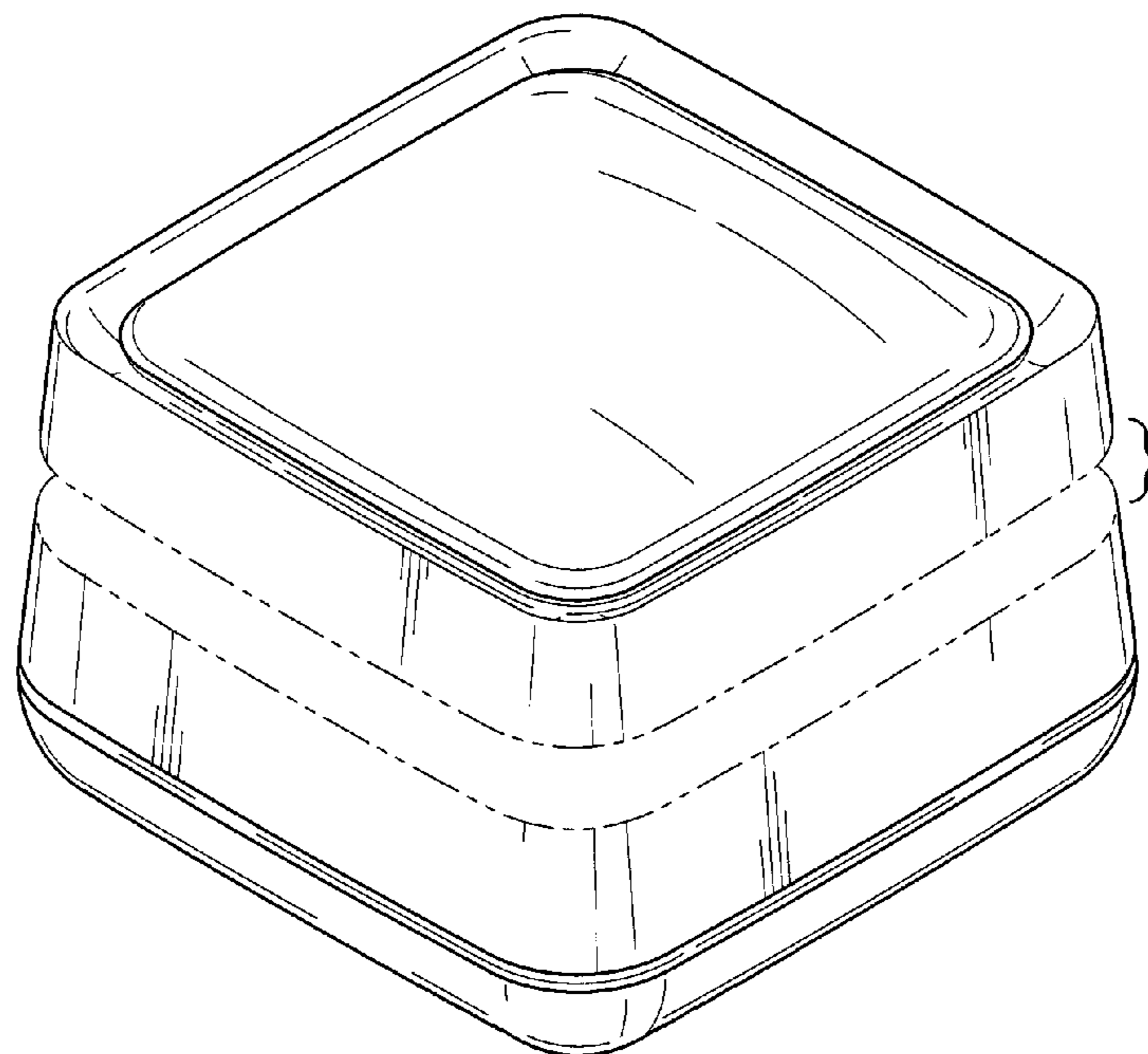
The broken line(s) showing the ventilation openings or holes are for the purpose of illustrating unclaimed portions. The broken lines showing the article cut away are for the purpose of indicating that no specific height is claimed.

(56) **References Cited**

U.S. PATENT DOCUMENTS

- D386,151 S * 11/1997 Werse D14/358
- D489,720 S * 5/2004 Sasaki D14/358
- D490,424 S * 5/2004 Yamanashi D14/358
- D540,318 S * 4/2007 Wang D14/300
- D540,794 S * 4/2007 Jeon et al. D14/358
- D563,994 S * 3/2008 Liu et al. D14/496
- D576,162 S * 9/2008 Mine et al. D14/356
- D588,128 S * 3/2009 Whitmore et al. D14/358
- D596,626 S * 7/2009 Andre et al. D14/240

1 Claim, 4 Drawing Sheets



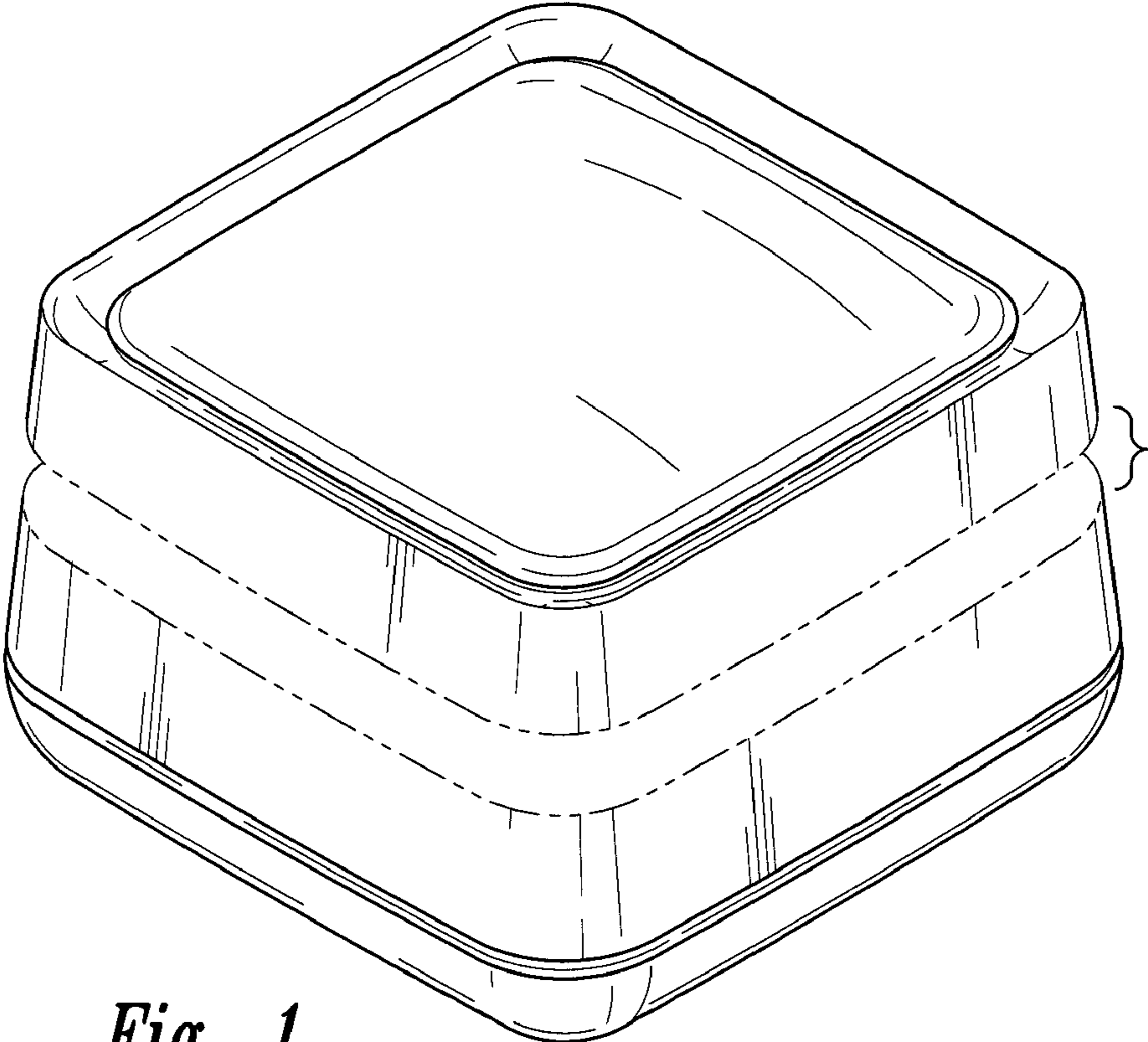


Fig. 1

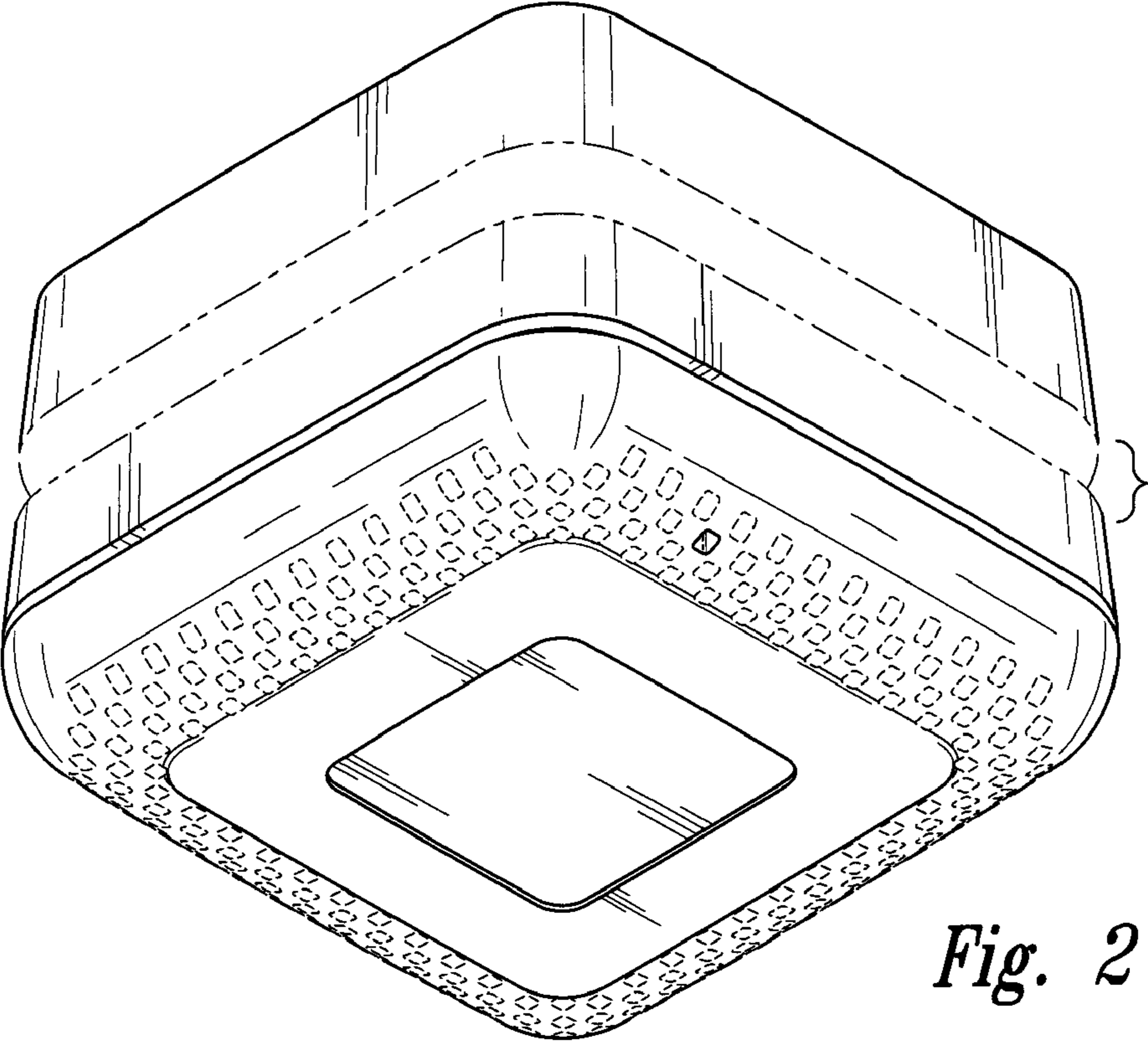


Fig. 2

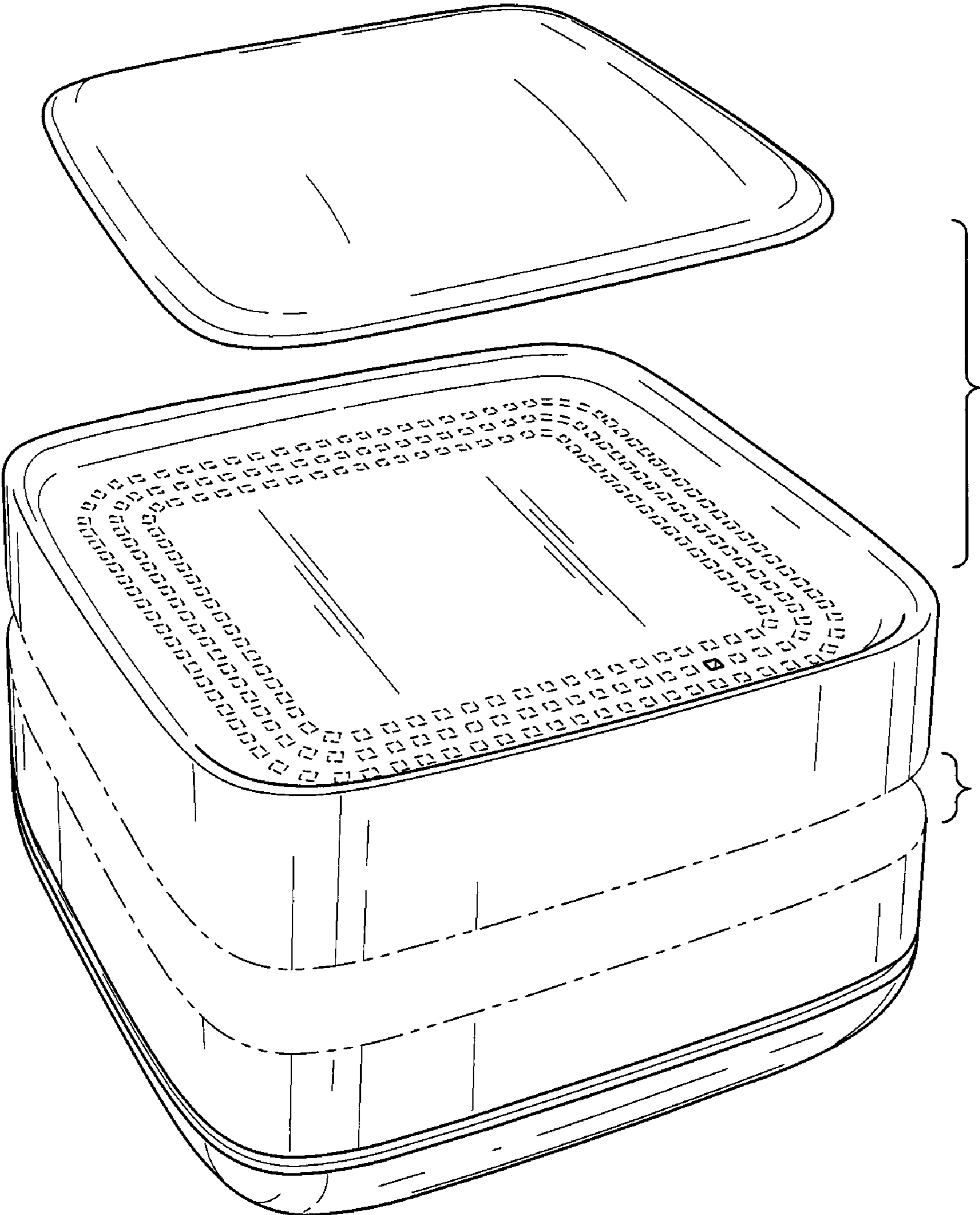


Fig. 3

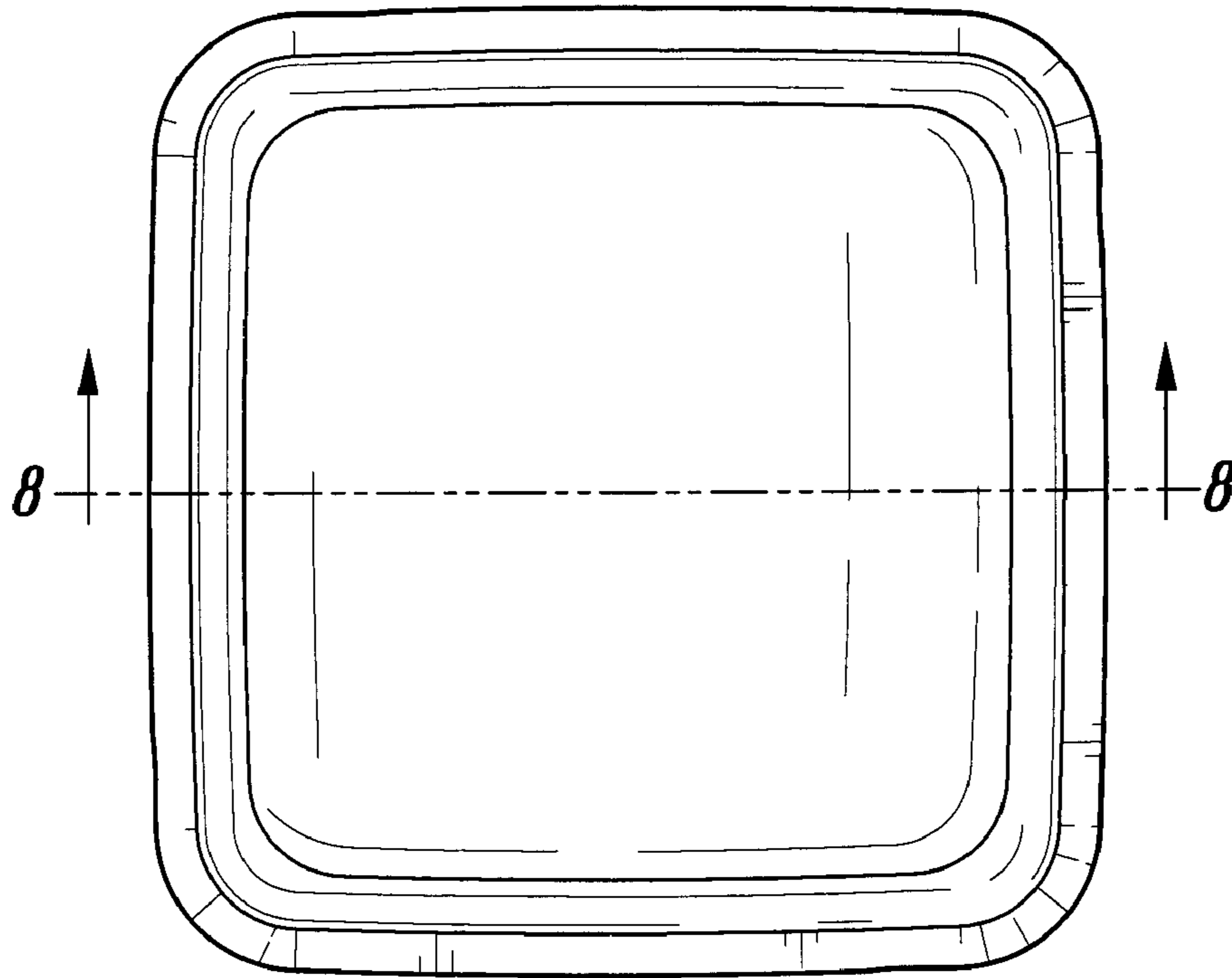


Fig. 4

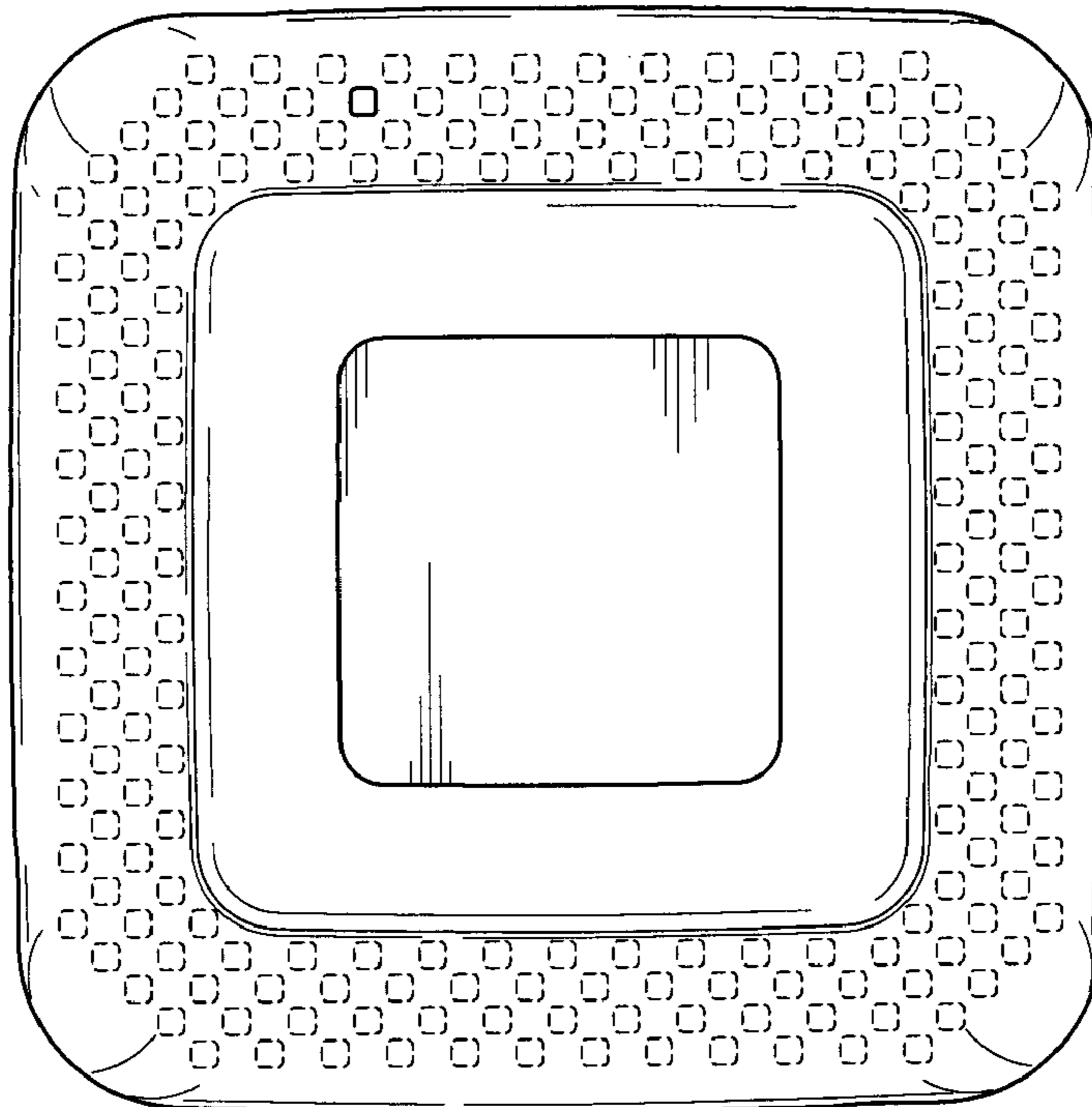


Fig. 5

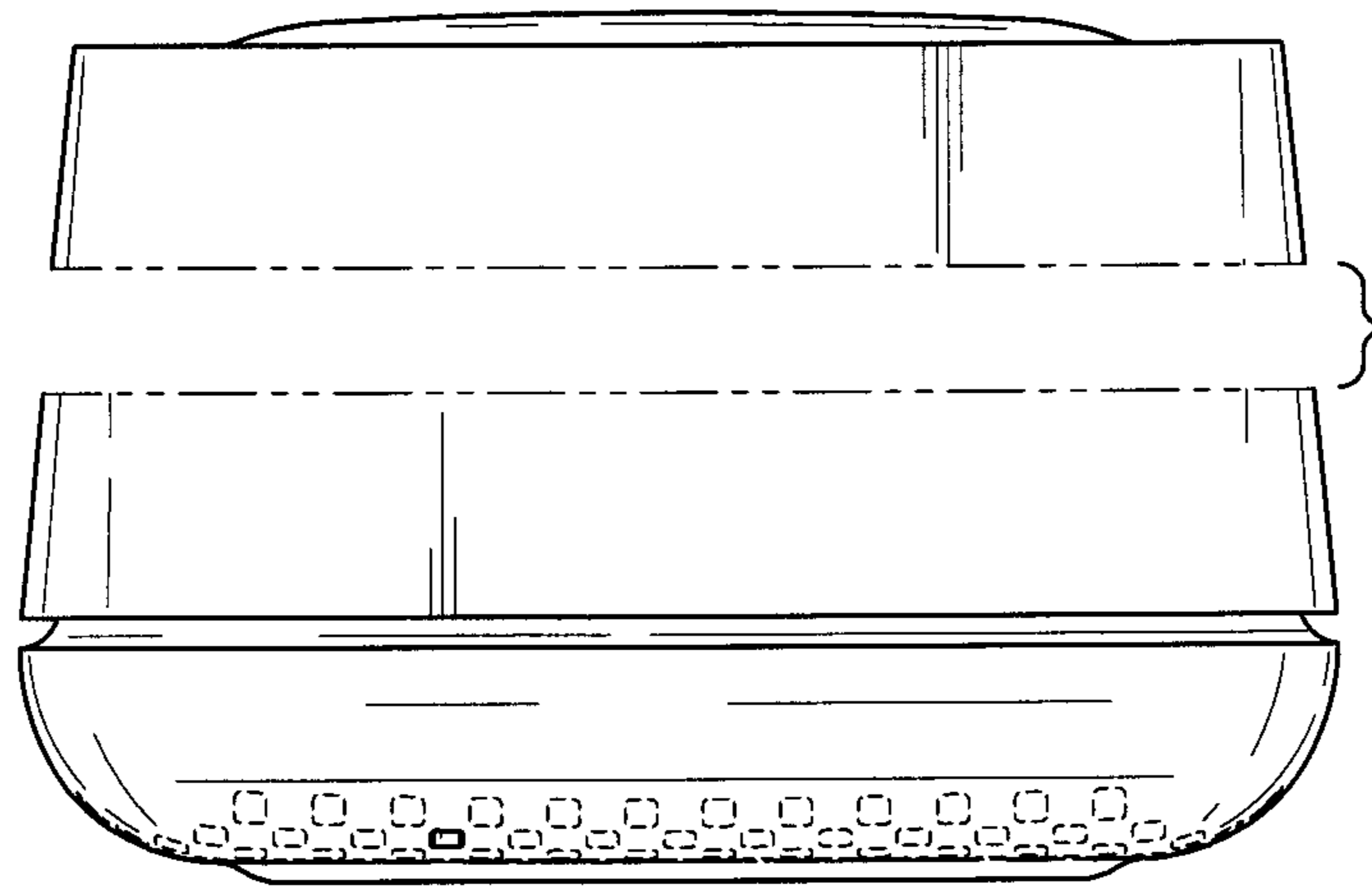


Fig. 6

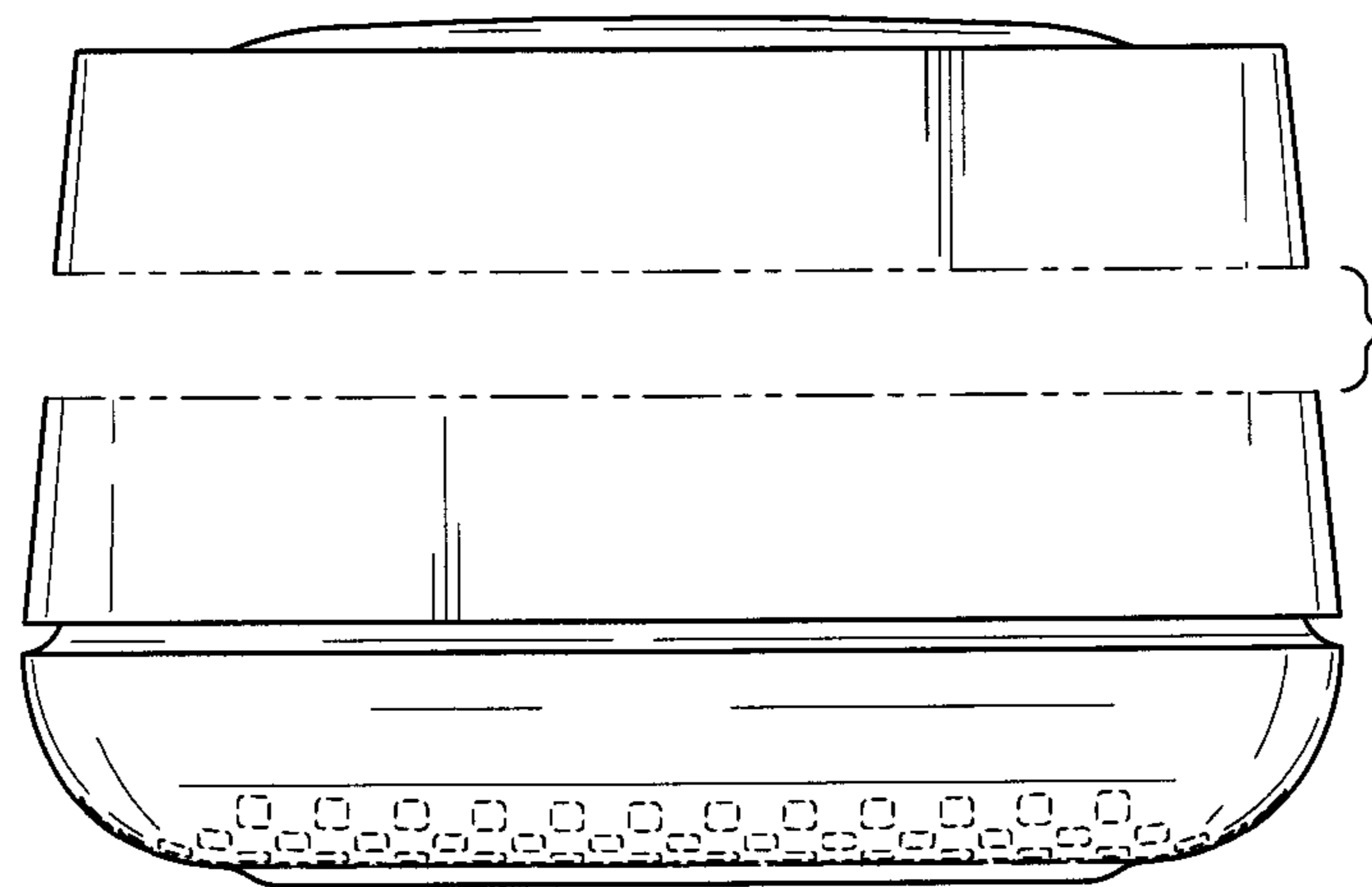


Fig. 7

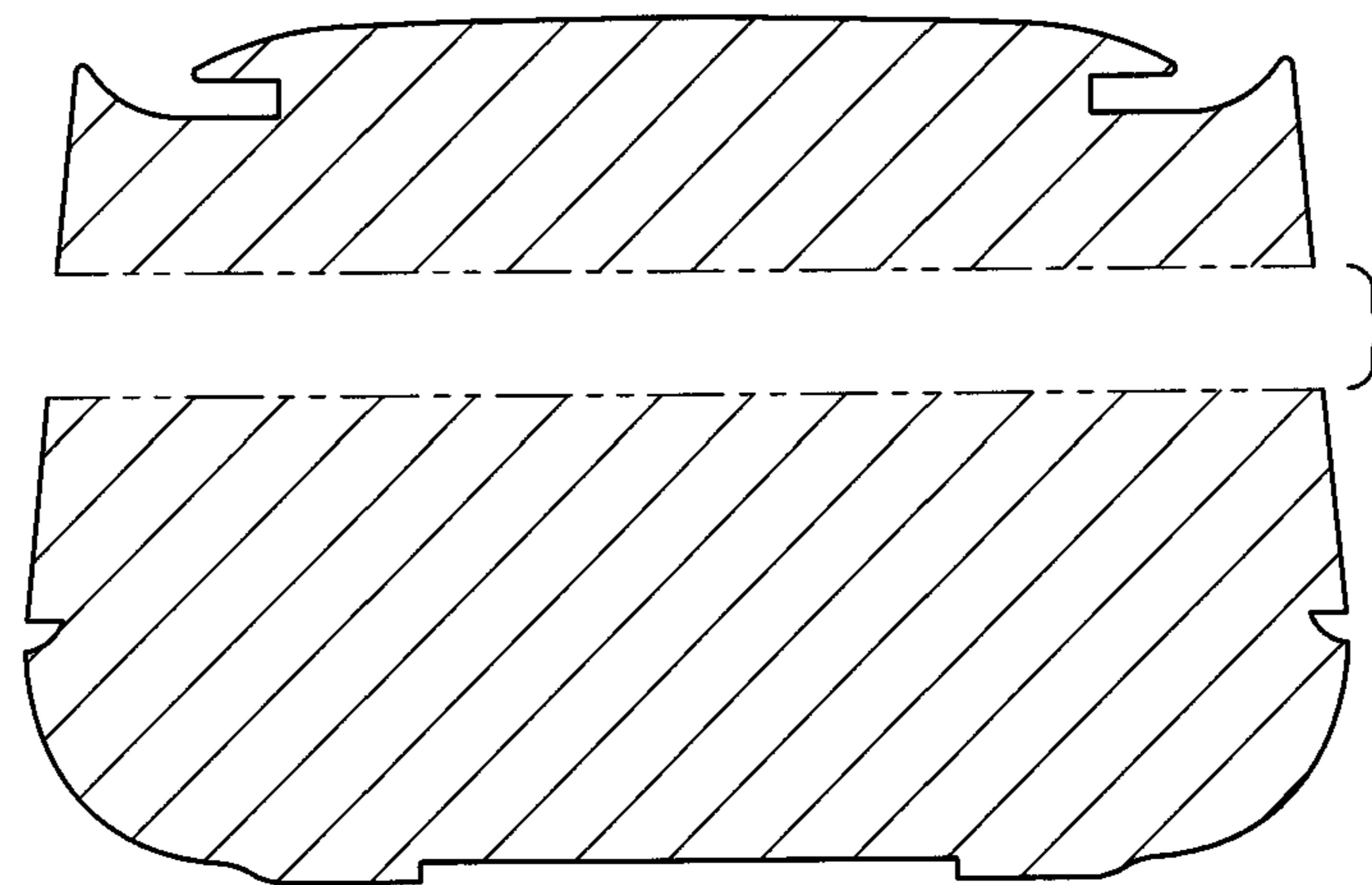


Fig. 8