



US00D624532S

(12) **United States Design Patent**
Huskinson

(10) **Patent No.:** **US D624,532 S**

(45) **Date of Patent:** **** *Sep. 28, 2010**

(54) **CASE**

- (75) Inventor: **Scott Huskinson**, Hyde Park, UT (US)
- (73) Assignee: **Reminderband, Inc.**, Logan, UT (US)
- (*) Notice: This patent is subject to a terminal disclaimer.
- (**) Term: **14 Years**
- (21) Appl. No.: **29/346,780**
- (22) Filed: **Nov. 5, 2009**

- (51) **LOC (9) Cl.** **14-03**
- (52) **U.S. Cl.** **D14/250**
- (58) **Field of Classification Search** D14/140,
D14/142, 167, 217, 218, 240, 242, 248, 250-253,
D14/299, 341-347, 440; D3/200-201, 215,
D3/218-219, 226, 228, 269, 301, 272-273,
D3/276, 294; D13/103, 107-108, 119; 220/4.02;
224/191, 240, 241, 245, 682-683; 248/206.2,
248/206.4, 220.21, 279.1, 309.1; 361/679.3,
361/679.56; 379/420.04, 433.11, 446-447,
379/454, 455; 455/575.1, 575.6, 575.7, 575.8,
455/575.9; 190/100; 206/305, 320
See application file for complete search history.

(56) **References Cited**

U.S. PATENT DOCUMENTS

D366,957 S * 2/1996 Scheid et al. D3/218
(Continued)

OTHER PUBLICATIONS

TwoPieces for iPhone 3G / 3GS, <URL:http://www.ultra-case.com/product.php?pid=32>, retrieved from internet May 20, 2010.*
(Continued)

Primary Examiner—Robert M Spear
Assistant Examiner—Carla Jobe Wright
(74) *Attorney, Agent, or Firm*—Pate Pierce & Baird

(57) **CLAIM**

The ornamental design for a case, as shown and described.

DESCRIPTION

FIG. 1 is a front perspective view a case in accordance with the invention, showing the case in an assembled state, and supported by the stand in the deployed position;

FIG. 2 is a front elevation view of the case of FIG. 1, with the stand in the stowed position;

FIG. 3 is a front elevation view of the case of FIG. 1, showing the two mating portions of the case separated for ease of illustration;

FIG. 4 is a rear elevation view of the case of FIG. 1, with the stand in the stowed and latched position;

FIG. 5 is a rear elevation view of the case of FIG. 1, showing the two mating portions of the case separated for ease of illustration, with the stand in the stowed but unlatched position;

FIG. 6 is a left side elevation view of the case of FIG. 1, with the stand in the stowed and latched position;

FIG. 7 is a left side elevation view of the case of FIG. 1, with the stand in the deployed position;

FIG. 8 is a right side elevation view of the case of FIG. 1, with the stand in the stowed and latched position;

FIG. 9 is a right side elevation view of the case of FIG. 1, with the stand in the deployed position;

FIG. 10 is a bottom plan view of the case of FIG. 1, with the stand in the stowed and latched position;

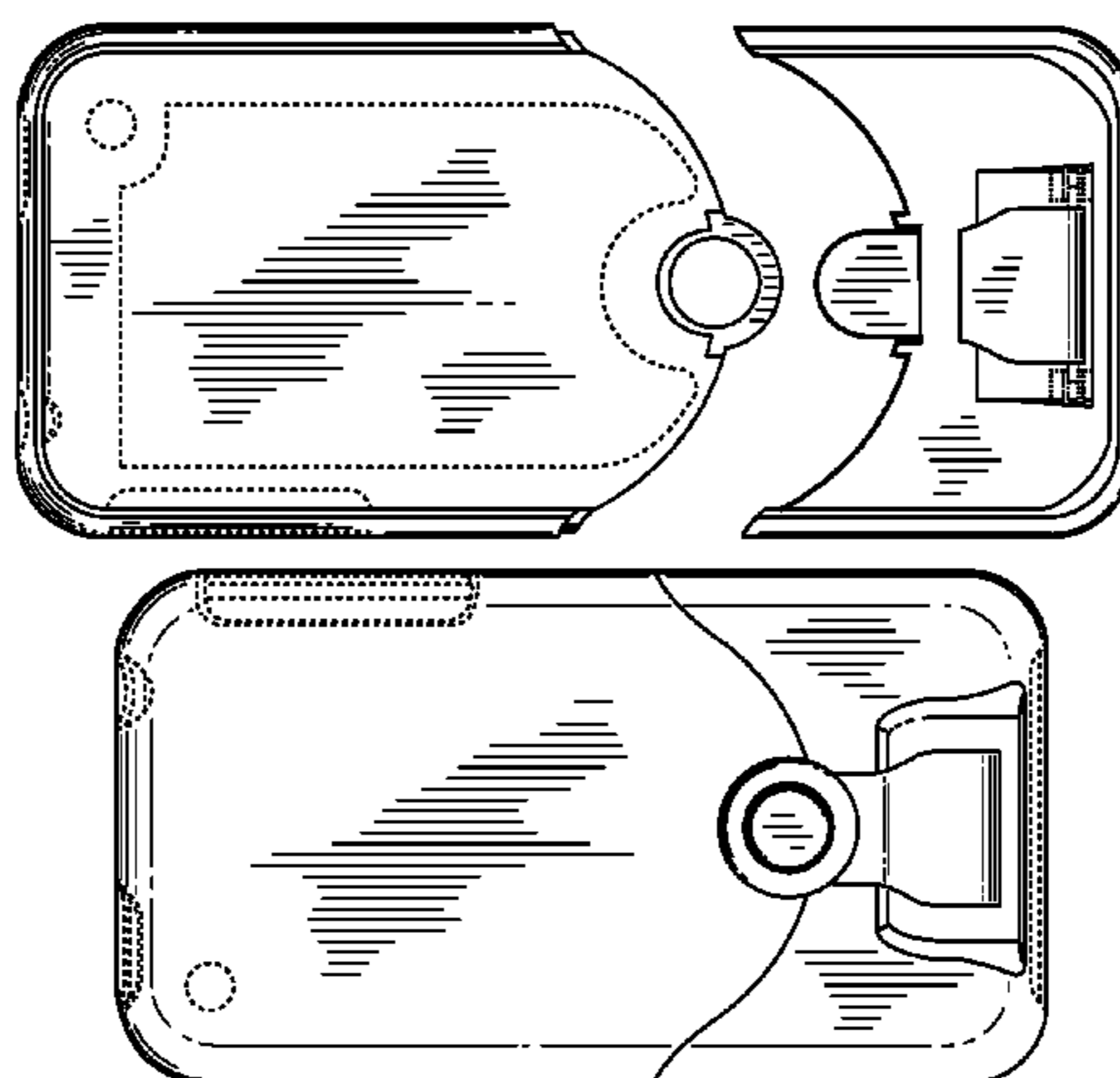
FIG. 11 is a bottom plan view of the case of FIG. 1, with the stand in the deployed position;

FIG. 12 is a top plan view of the case of FIG. 1, with the stand in the stowed and latched position; and,

FIG. 13 is a top plan view of the case of FIG. 1, with the stand in the deployed position.

The broken lines immediately adjacent the shaded surfaces represent the bounds of the claimed design. All other broken lines are directed to environment. The broken lines and unshaded regions within the broken lines form no part of the claimed design.

1 Claim, 6 Drawing Sheets



U.S. PATENT DOCUMENTS

6,471,056 B1 * 10/2002 Tzeng 206/320
D484,874 S * 1/2004 Chang et al. D14/250
D543,541 S * 5/2007 Chung et al. D14/250
D551,847 S * 10/2007 Yeap et al. D3/201
D556,681 S * 12/2007 Kim D13/103
D563,093 S * 3/2008 Nussberger D3/201
D565,290 S * 4/2008 Brandenburg et al. D3/218
D565,291 S * 4/2008 Brandenburg et al. D3/218
D570,593 S * 6/2008 Justiss D3/201
D574,819 S * 8/2008 Andre et al. D14/250
D575,056 S * 8/2008 Tan D3/218
D587,896 S * 3/2009 Aipa D3/201
D593,746 S * 6/2009 Richardson et al. D3/201
D593,750 S * 6/2009 Song D3/269
D597,089 S * 7/2009 Khan et al. D14/250
D597,301 S * 8/2009 Richardson et al. D3/218
D600,908 S * 9/2009 Richardson et al. D3/218
D603,389 S * 11/2009 Khan et al. D14/250
D603,603 S * 11/2009 Laine et al. D3/218
7,612,997 B1 * 11/2009 Diebel et al. 361/679.56
D605,850 S * 12/2009 Richardson et al. D3/218
D606,305 S * 12/2009 Lee et al. D3/269
D606,528 S * 12/2009 Khan et al. D14/250
D606,529 S * 12/2009 Ferrari et al. D14/250
D609,228 S * 2/2010 Ferrari et al. D14/250
D609,463 S * 2/2010 Bullen D3/218
D609,464 S * 2/2010 Bullen D3/218
D610,807 S * 3/2010 Bau D3/269
D613,282 S * 4/2010 Richardson et al. D14/250
D615,077 S * 5/2010 Richardson et al. D14/250
D615,078 S * 5/2010 Bradley D14/250

D615,535 S * 5/2010 Richardson et al. D14/250
D615,536 S * 5/2010 Richardson et al. D14/250
D615,967 S * 5/2010 Richardson et al. D14/250
2009/0111543 A1 * 4/2009 Tai et al. 455/575.8

OTHER PUBLICATIONS

Whisper for iPhone 3G/3GS, <URL:http://www.ultra-case.com/product.php?PID=249>, retrieved from internet May 20, 2010.*
Droid Eris by HTC Commuter Series Case, <URL:http://www.otterbox.com/htc-cases/droid-eris-by-htc-cases/droid-eris-by-htc-commuter-series-case/>, retrieved from internet May 20, 2010.*
Google Nexus One Commuter Series Case, <URL:http://www.otterbox.com/google-cases/nexus-one-cases/google-nexus-one-commuter-series-case/>, retrieved from internet May 20, 2010.*
BlackBerry Pearl 9100 Commuter Series Case, <URL:http://www.otterbox.com/blackberry-cases/blackberry-pearl/blackberry-pearl-9100-cases/blackberry-pearl-9100-commuter-series-case/>, retrieved from internet May 20, 2010.*
Edge Hard Shell Polycarbonate Slider Case for BlackBerry Storm 9550—Pearl, <URL:http://www.myincipio.com/product/BLACKBERRY_BB-835/EDGE-Hard-Shell-Polycarbonate-Slider-Case-for-BlackBerry-Storm-9550---Pearl-White.html>, retrieved from internet May 20, 2010.*
Dark Purple dermaSHOT Silicone Case for Google Nexus One, <URL:http://www.myincipio.com/product/GGL_NEXUS_ONE_HT-137/Dark-Purple-dermaSHOT-Silicone-Case-for-Google-Nexus-One.html>, retrieved from internet May 20, 2010.*
HTC Droid Eris S6200 Silicone Case, Rubber Skin—Light Blue, <URL:http://www.accessorygeeks.com/htc-droid-eris-s6200-silicone-case-light-blue.html>, retrieved from internet May 20, 2010.*

* cited by examiner

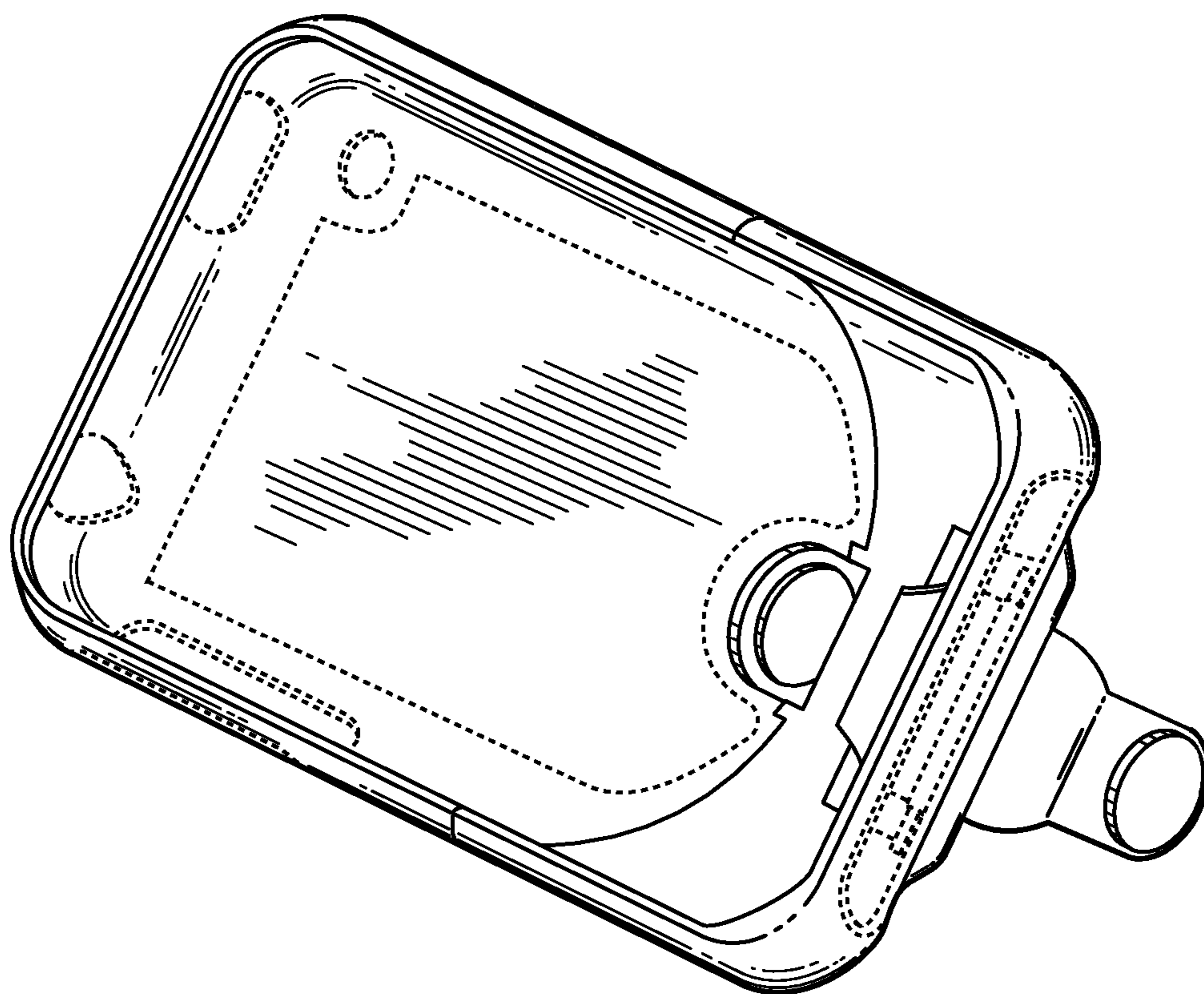


FIG. 1

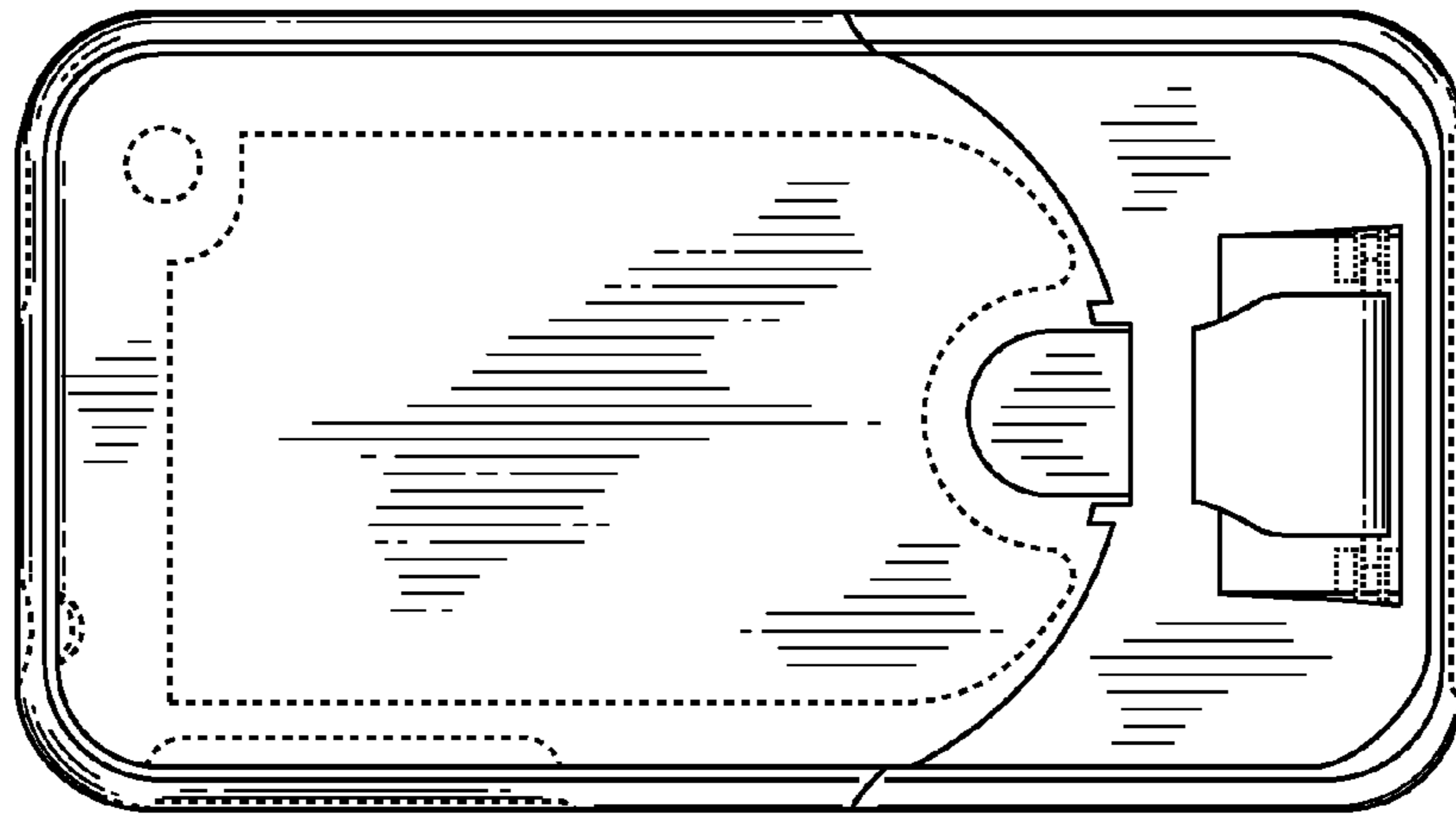


FIG. 2

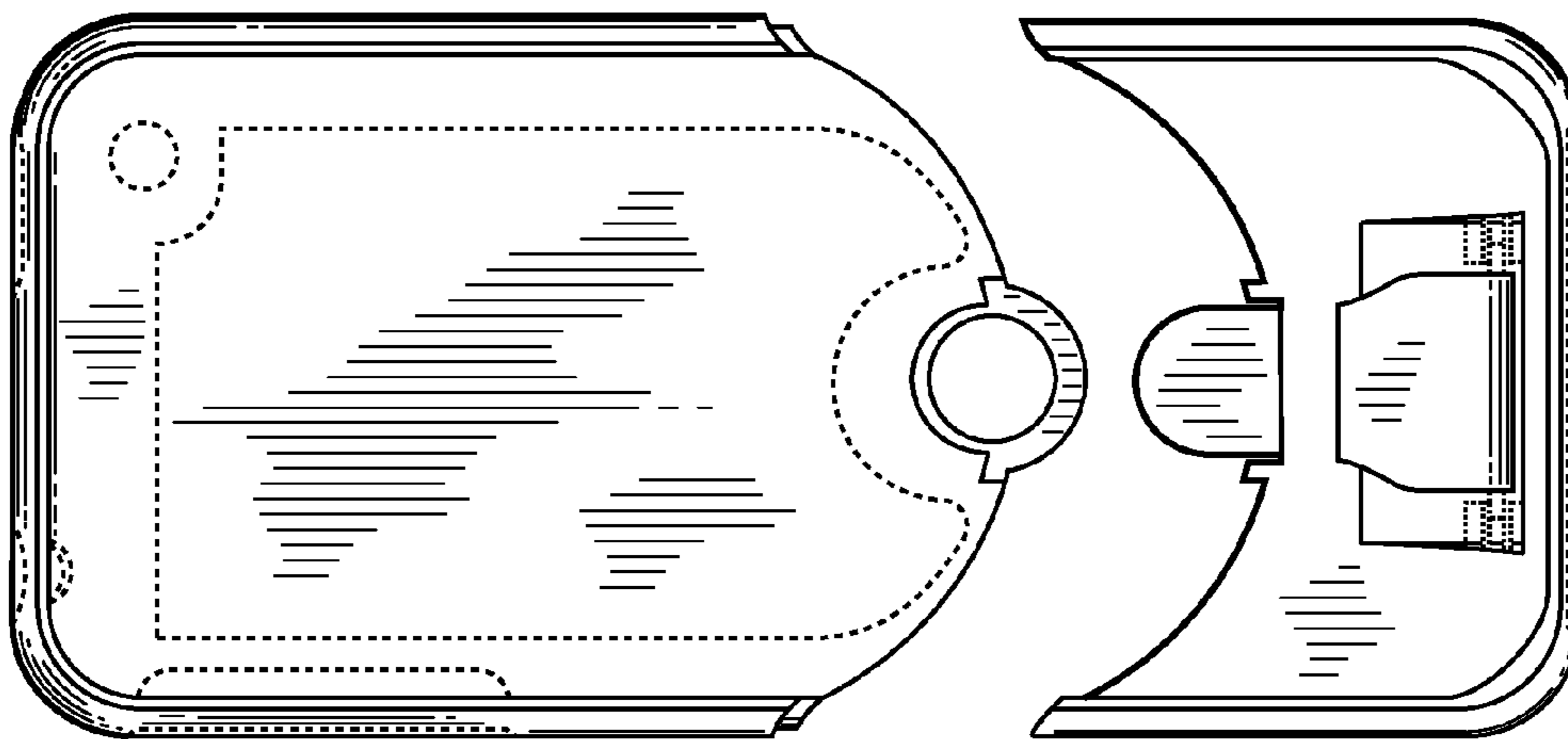


FIG. 3

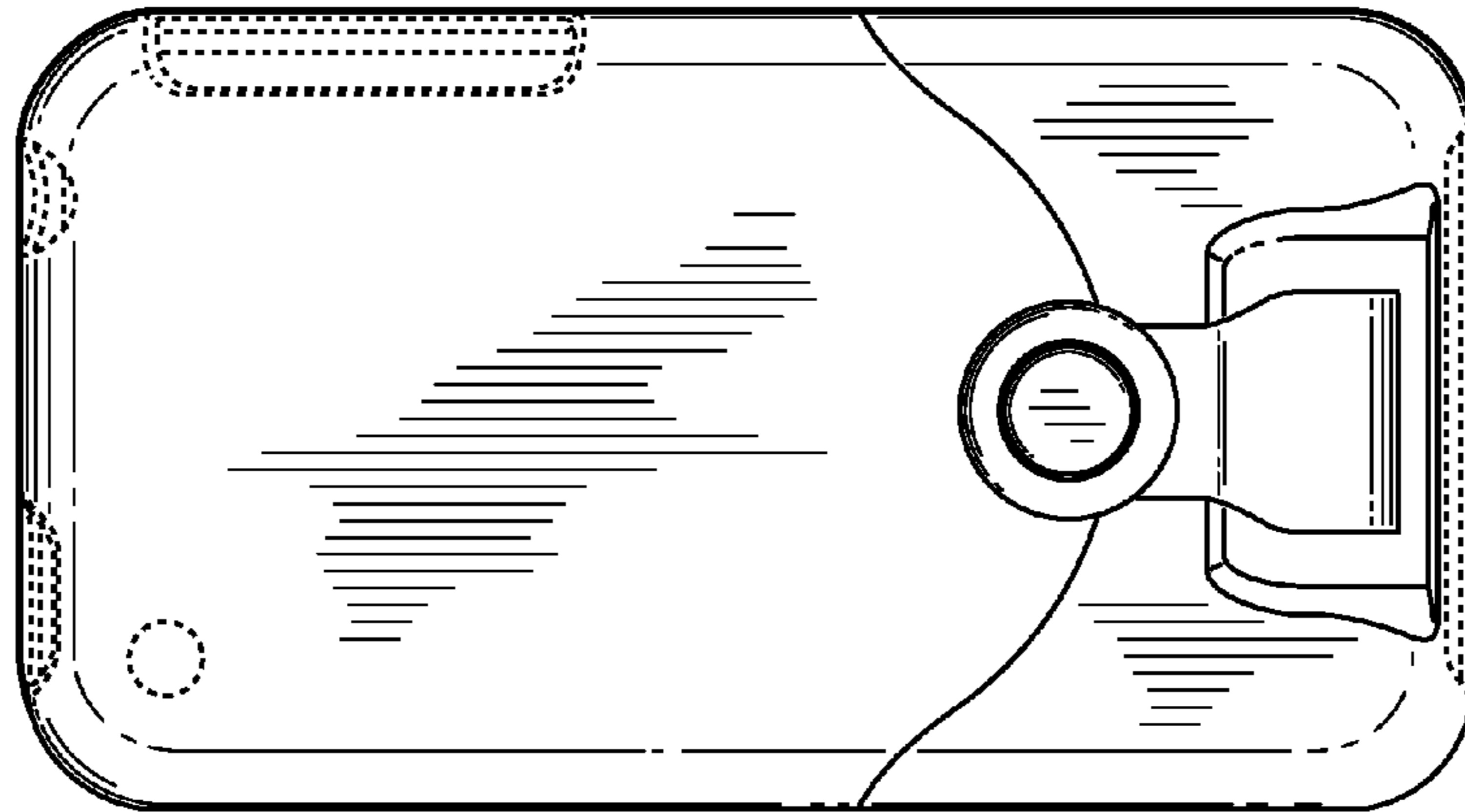


FIG. 4

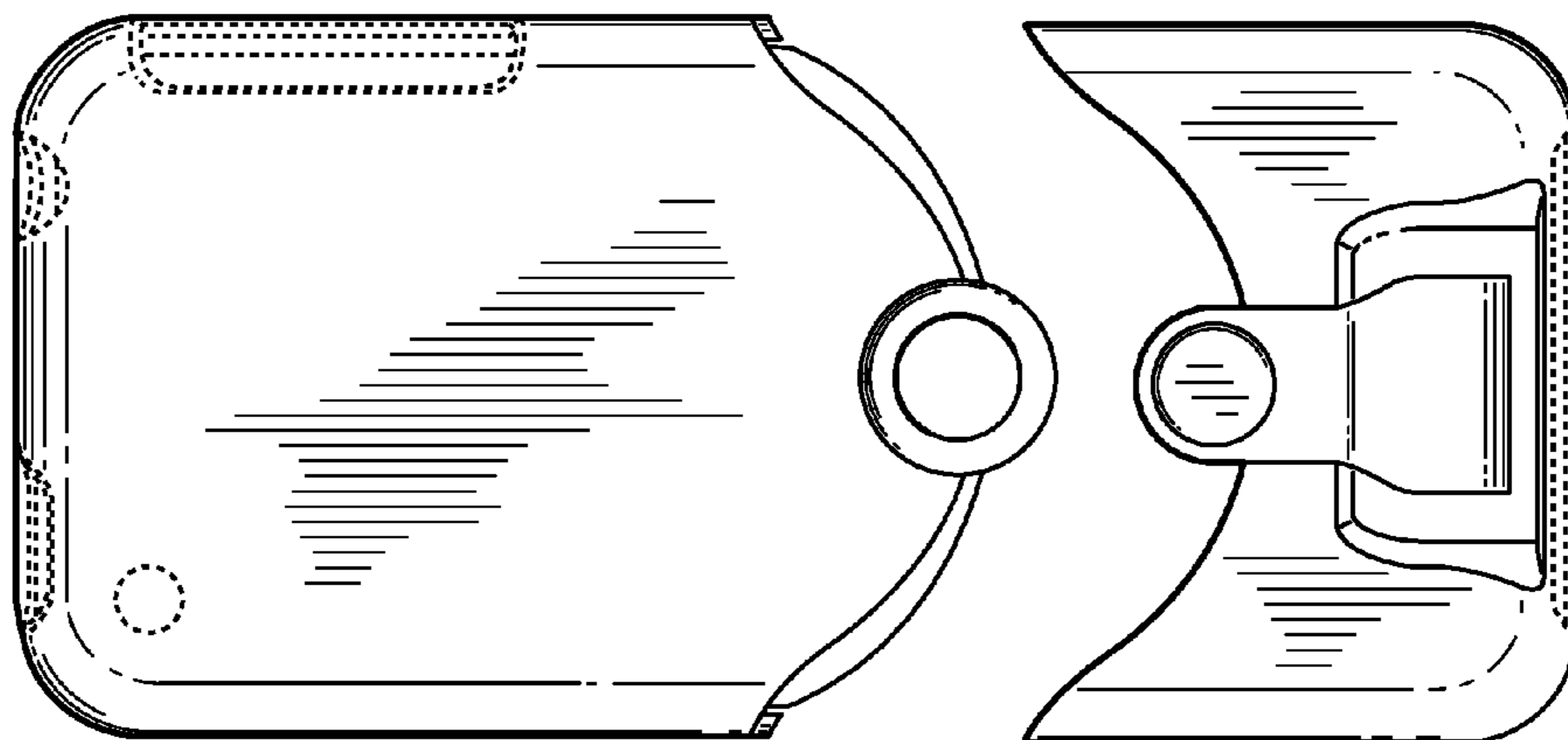


FIG. 5

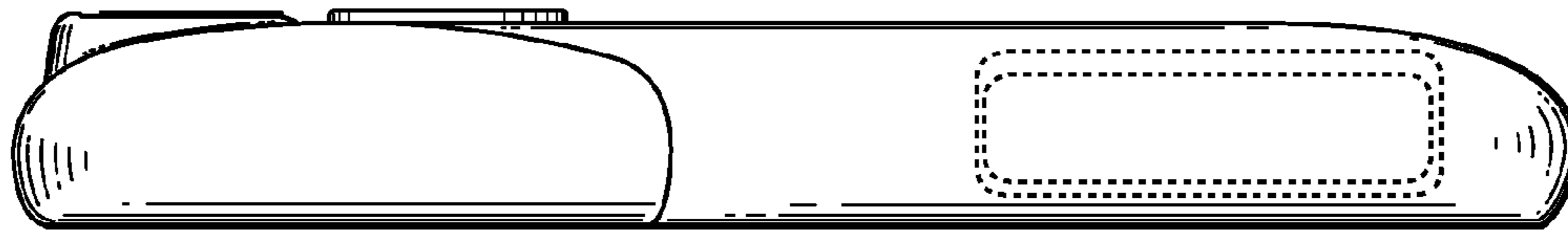


FIG. 6

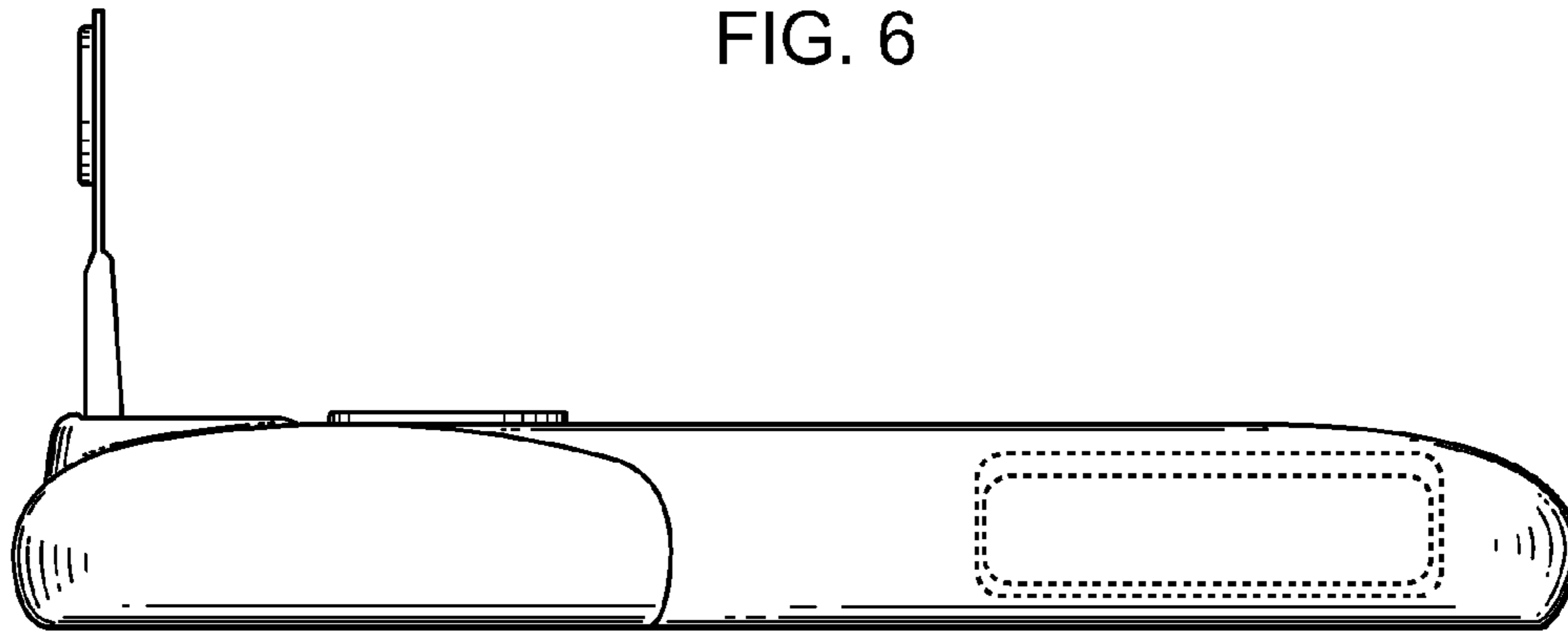


FIG. 7



FIG. 8

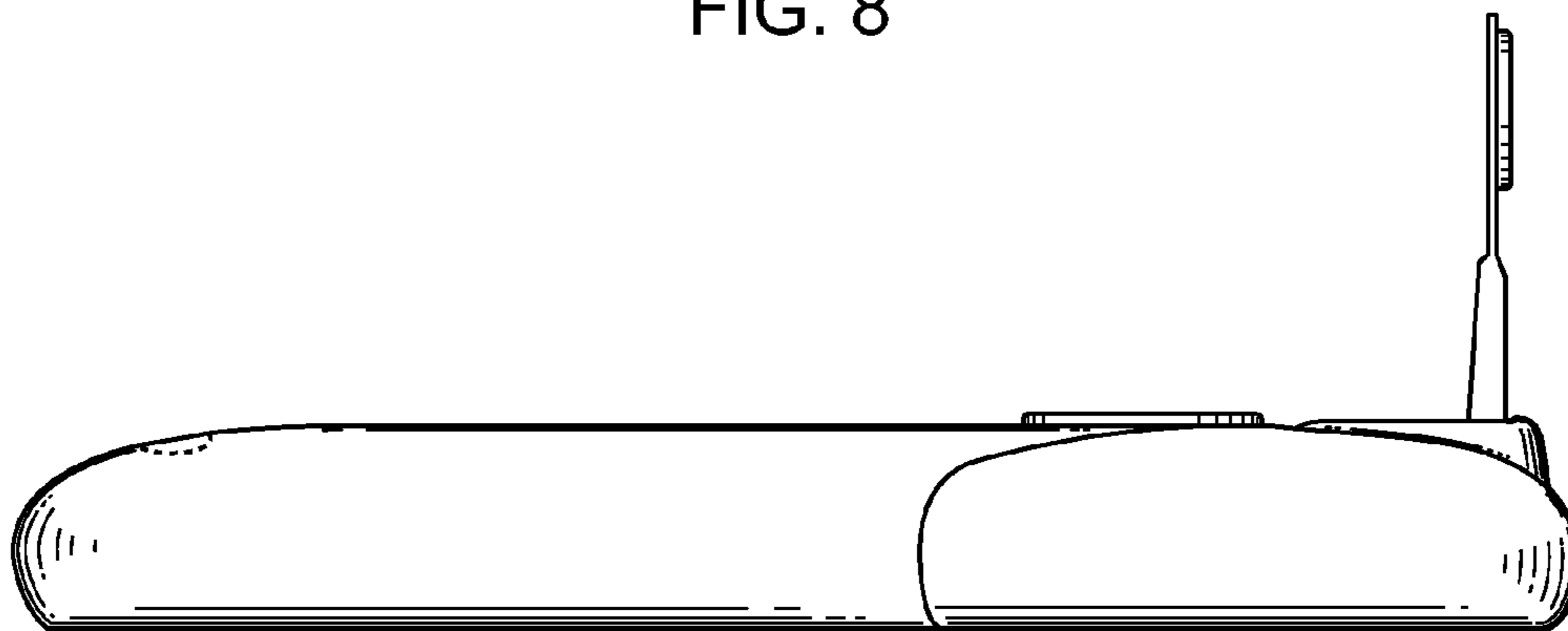


FIG. 9

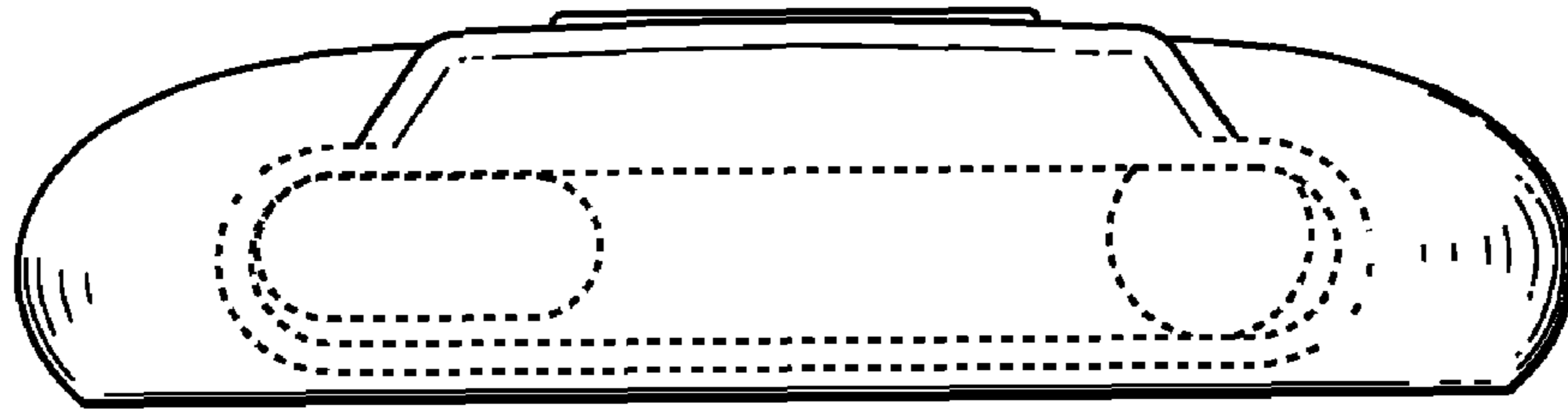


FIG. 10

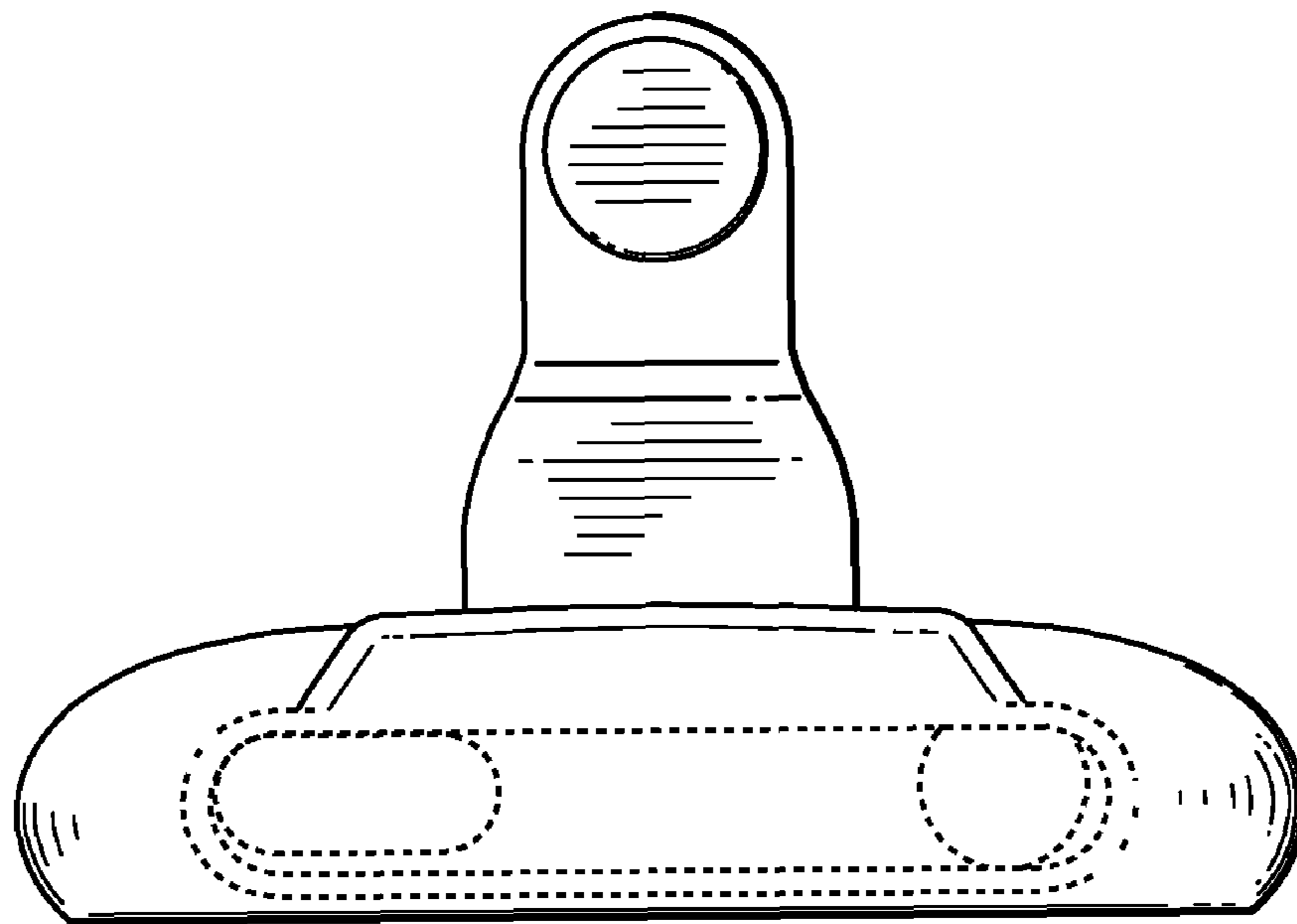


FIG. 11

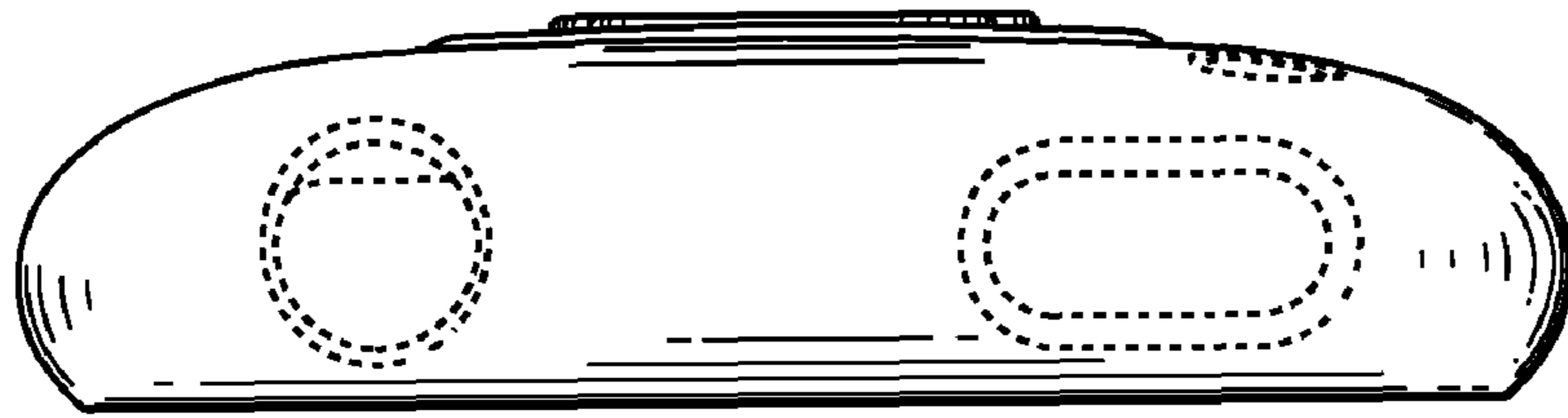


FIG. 12

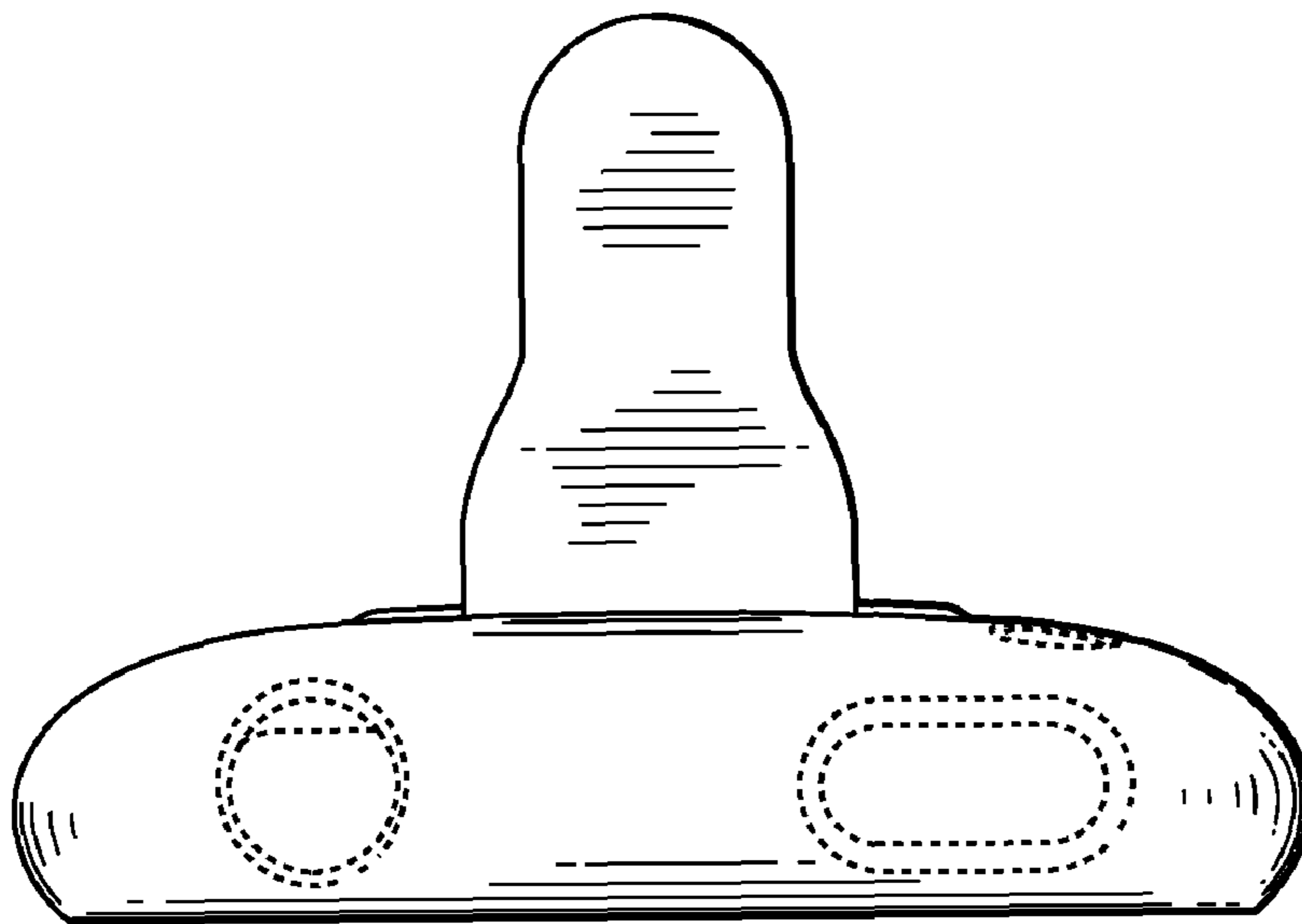


FIG. 13