



US00D624531S

(12) **United States Design Patent**
Fleck et al.

(10) **Patent No.:** **US D624,531 S**
(45) **Date of Patent:** **** Sep. 28, 2010**

- (54) **MOBILE SCANNING ANTENNA**
- (75) Inventors: **Steven J. Fleck**, Carnegie, PA (US);
Michele I. Dye, Pittsburgh, PA (US);
William M. Bernstein, Pittsburgh, PA (US)
- (73) Assignee: **ClearCount Medical Solutions, Inc.**,
Pittsburgh, PA (US)
- (**) Term: **14 Years**
- (21) Appl. No.: **29/360,645**
- (22) Filed: **Apr. 29, 2010**
- (51) **LOC (9) Cl.** **14-03**
- (52) **U.S. Cl.** **D14/230; D14/426**
- (58) **Field of Classification Search** D14/230–238,
D14/299, 420, 426; 343/700 R, 840, 841,
343/908, 772–775; 455/3.02, FOR. 215,
455/575.2; D10/114, 121; 235/385, 472.01;
604/540; 128/899; 340/572.1, 572.7, 527.8
See application file for complete search history.

- D470,847 S * 2/2003 Carlson et al. D14/428
- D501,468 S * 2/2005 Wang D14/235
- D512,425 S * 12/2005 Watanabe et al. D14/402
- 7,044,373 B1 5/2006 Garber et al.
- 7,126,556 B1 * 10/2006 Wang 343/866
- D531,632 S * 11/2006 Brandon et al. D14/426
- D542,796 S * 5/2007 Chan D14/431
- D558,189 S * 12/2007 Inoue D14/230
- D562,898 S * 2/2008 Allen, Jr. D19/60
- D569,378 S * 5/2008 Wanamaker D14/426
- D574,381 S * 8/2008 Chan D14/431
- D574,838 S * 8/2008 Palmer D14/453
- 7,448,544 B1 11/2008 Louie et al.
- D581,931 S * 12/2008 Pine D14/426
- D585,883 S * 2/2009 Kaneko D14/230
- D592,194 S * 5/2009 Kaneko D14/230
- 7,566,009 B2 7/2009 Lapstun et al.
- 7,617,132 B2 11/2009 Reade et al.
- D611,460 S * 3/2010 Chao D14/230
- D613,296 S * 4/2010 Hattori D14/453
- 7,696,877 B2 * 4/2010 Barnes et al. 340/572.1
- D617,319 S * 6/2010 Maffetone et al. D14/230

(Continued)

Primary Examiner—Celia A Murphy
Assistant Examiner—John Windmuller
(74) *Attorney, Agent, or Firm*—Jones Day

(56) **References Cited**

U.S. PATENT DOCUMENTS

- 2,060,098 A * 11/1936 McLachlan 181/165
- 2,479,337 A * 8/1949 Fyler 343/742
- 3,632,878 A * 1/1972 Stratman 379/21
- D300,531 S * 4/1989 Higgins D14/230
- D319,436 S * 8/1991 Matsushita D14/428
- D321,180 S * 10/1991 Conversano et al. D14/431
- D347,219 S * 5/1994 McGreevy D14/137
- D376,357 S * 12/1996 Ferland et al. D14/428
- D396,463 S * 7/1998 Nada et al. D14/431
- D406,126 S * 2/1999 Massieu et al. D14/428
- D408,532 S * 4/1999 Schmidt et al. D14/428
- 5,923,001 A 7/1999 Morris et al.
- D416,883 S * 11/1999 Wagner et al. D14/426
- D419,547 S * 1/2000 Nada et al. D14/431
- D434,989 S * 12/2000 Evans et al. D10/78
- 6,232,870 B1 * 5/2001 Garber et al. 340/10.1
- 6,394,355 B1 * 5/2002 Schlieffers et al. 235/472.01
- D460,074 S * 7/2002 Ponnert et al. D14/426

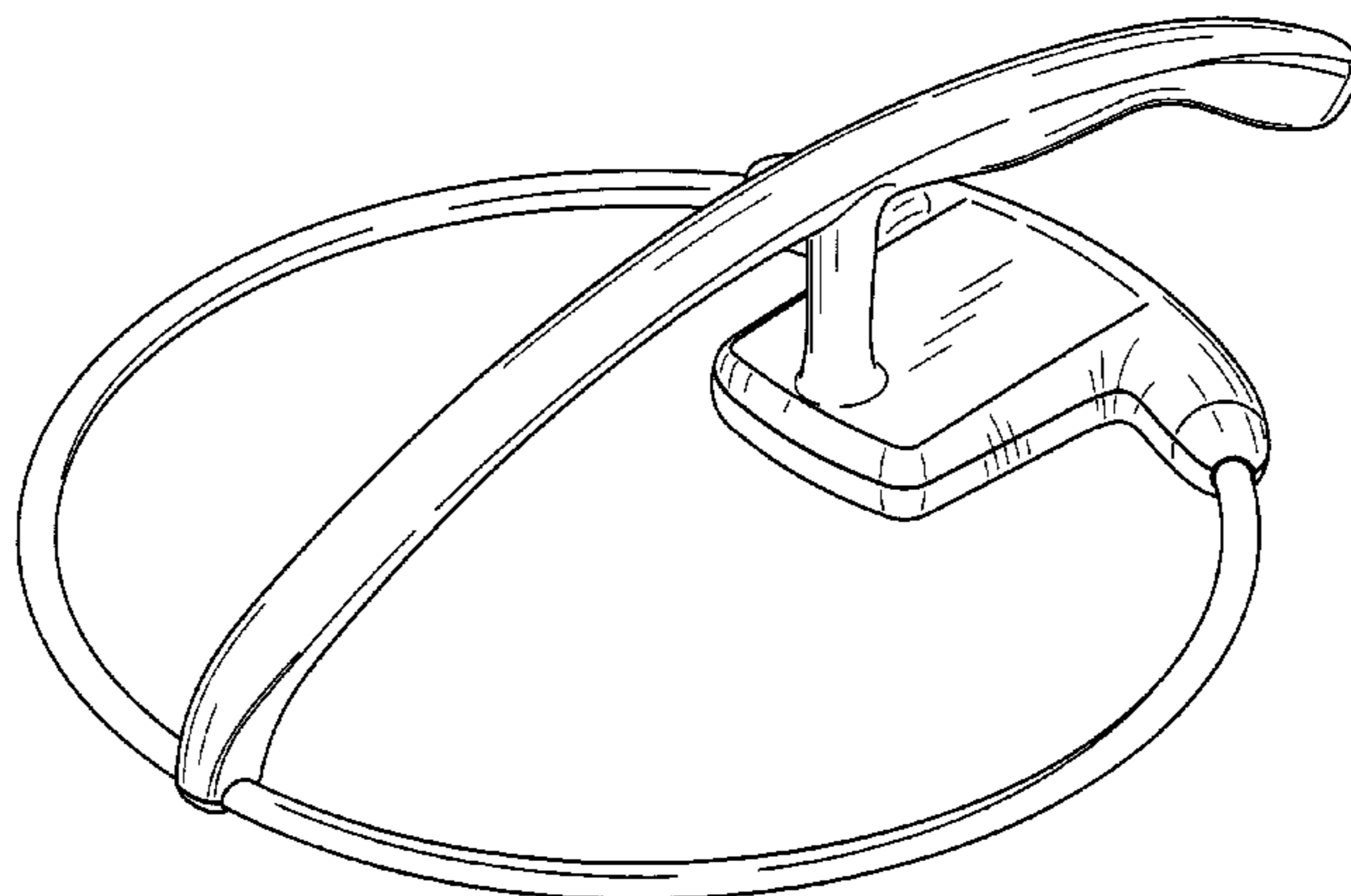
(57) **CLAIM**

The ornamental design for a mobile scanning antenna, as shown and described.

DESCRIPTION

FIG. 1 is a perspective view of a mobile scanning antenna depicting our new design;
FIG. 2 is a front elevation thereof;
FIG. 3 is a rear elevation thereof;
FIG. 4 is a left-side elevation thereof;
FIG. 5 is a right-side elevation thereof;
FIG. 6 is a top plan view thereof; and,
FIG. 7 is a bottom plan view thereof.

1 Claim, 5 Drawing Sheets



US D624,531 S

Page 2

U.S. PATENT DOCUMENTS

2002/0104887	A1*	8/2002	Schlieffers et al.	235/472.02			
2003/0141370	A1*	7/2003	Hamilton et al.	235/462.45			
					2005/0259023	A1*	11/2005 Wang 343/764
					2008/0237341	A1	10/2008 Fleck et al.

* cited by examiner

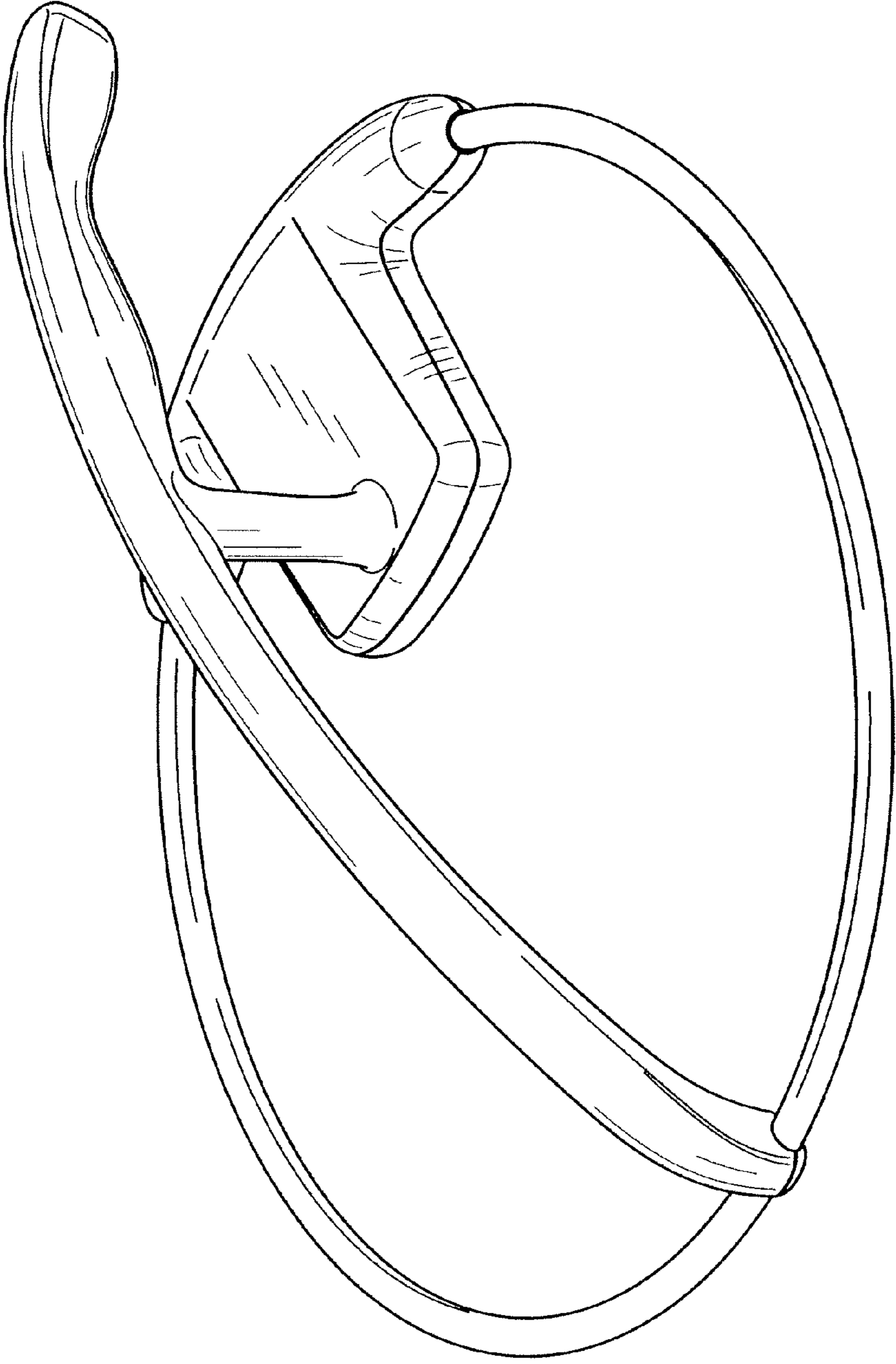


FIG. 1

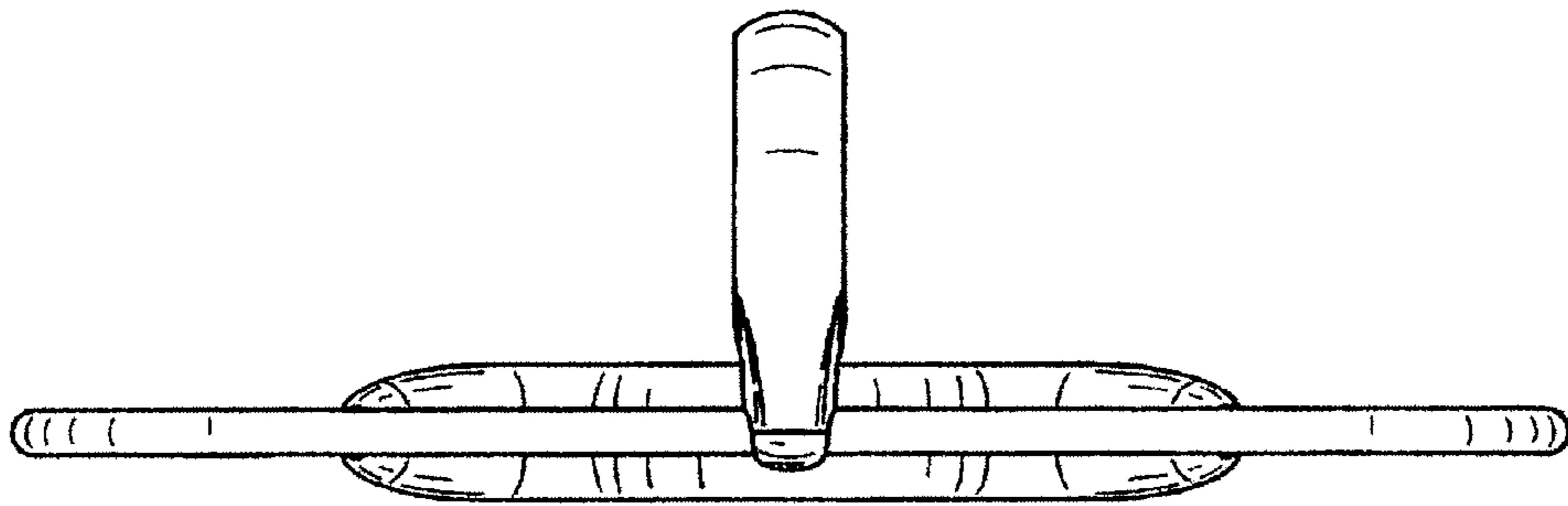


FIG. 2

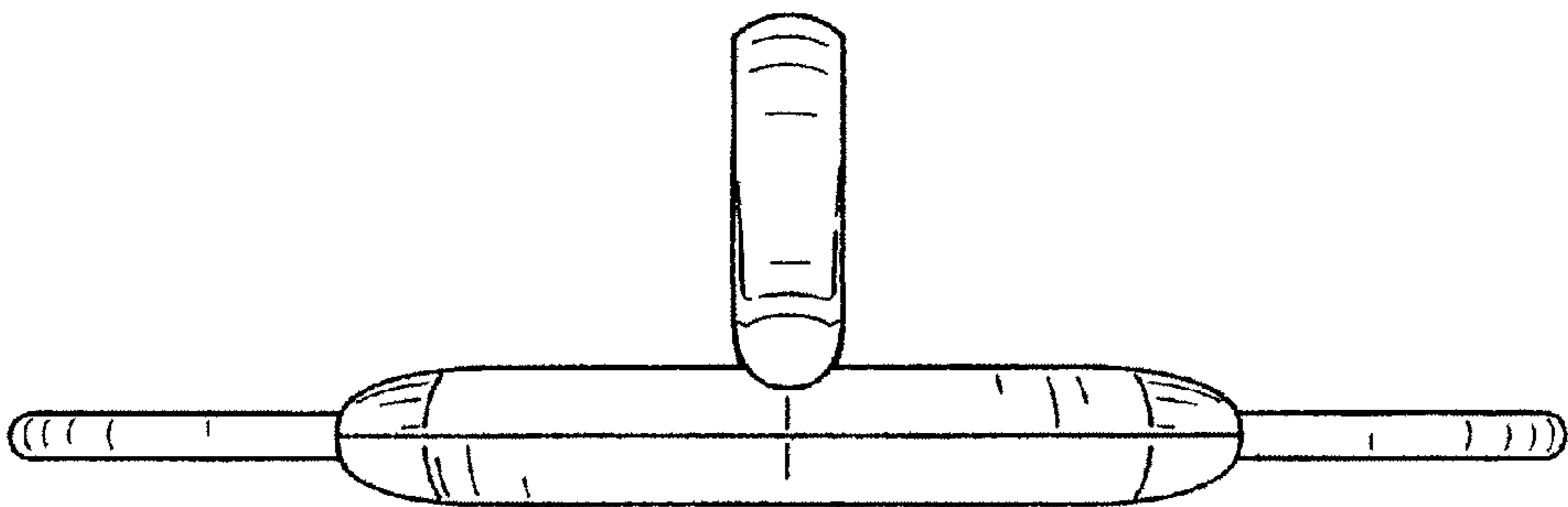


FIG. 3

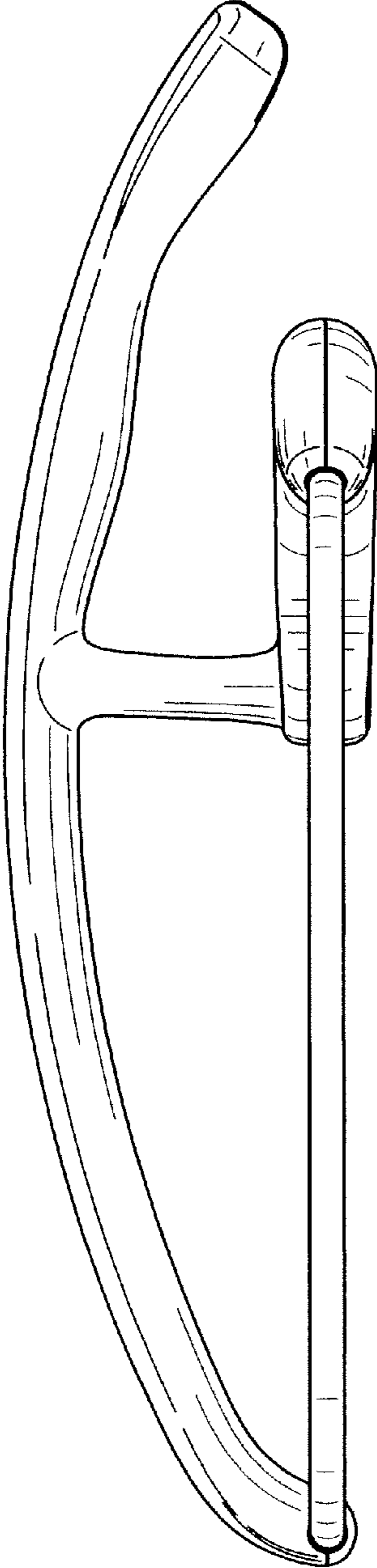


FIG. 4

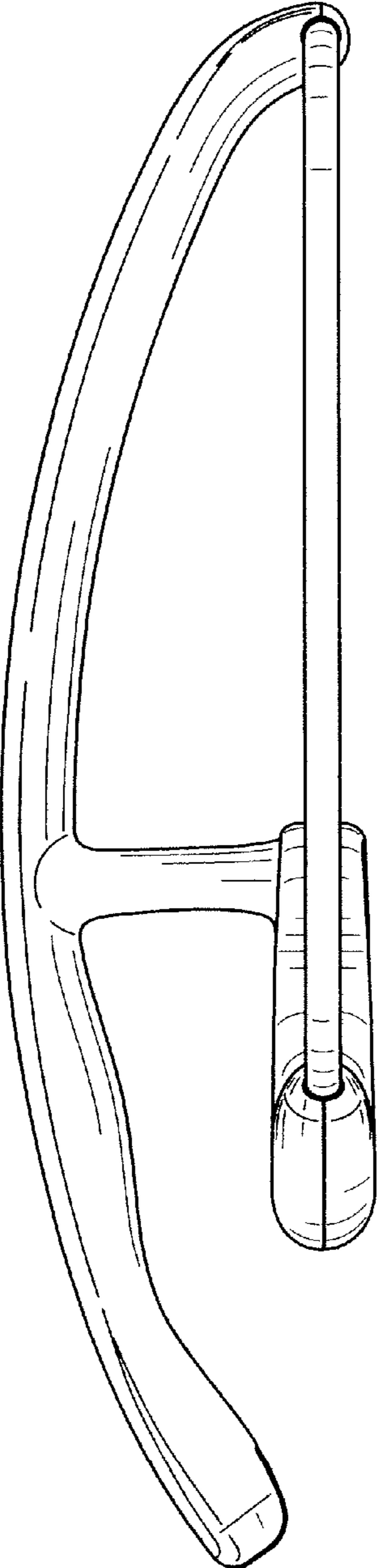


FIG. 5

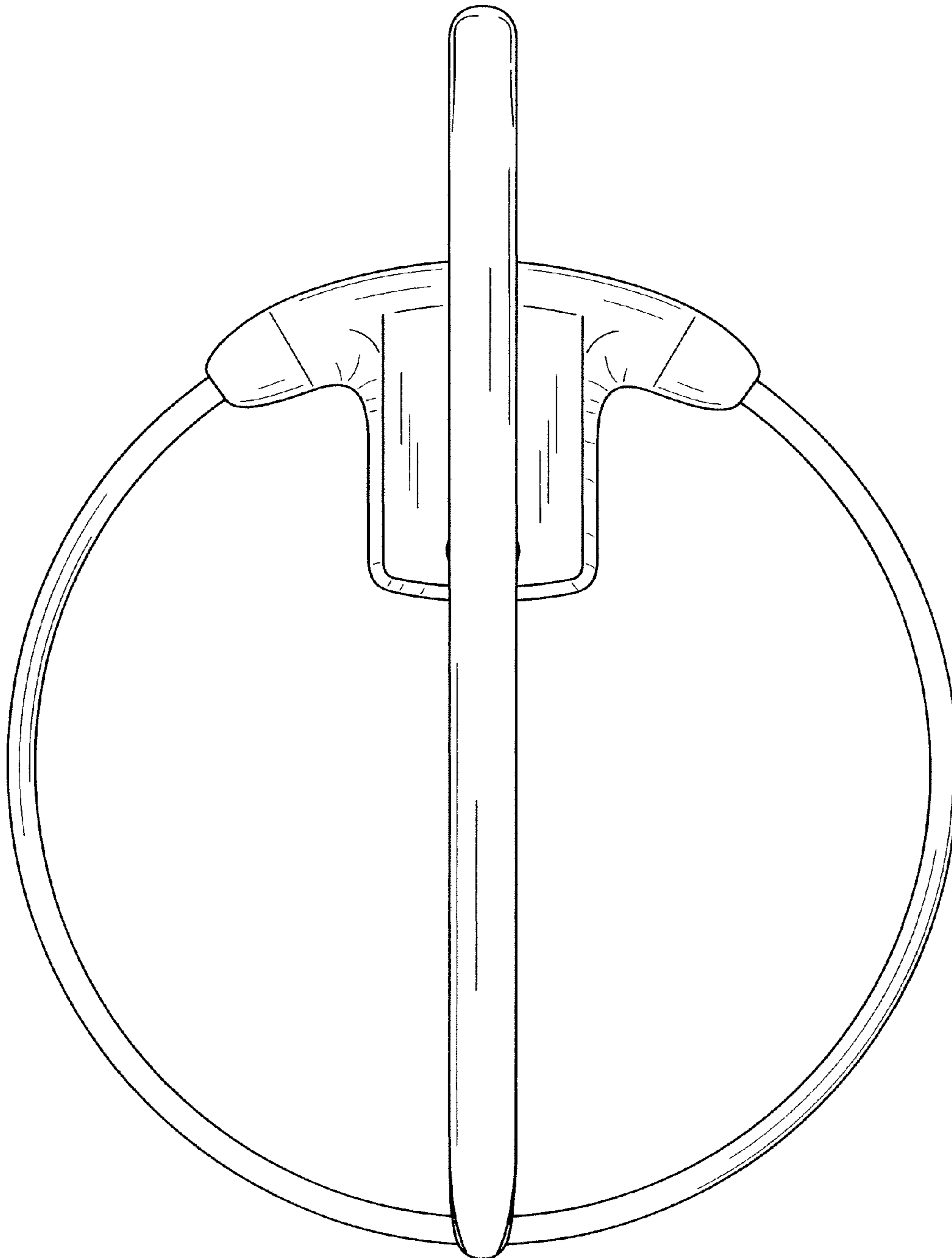


FIG. 6

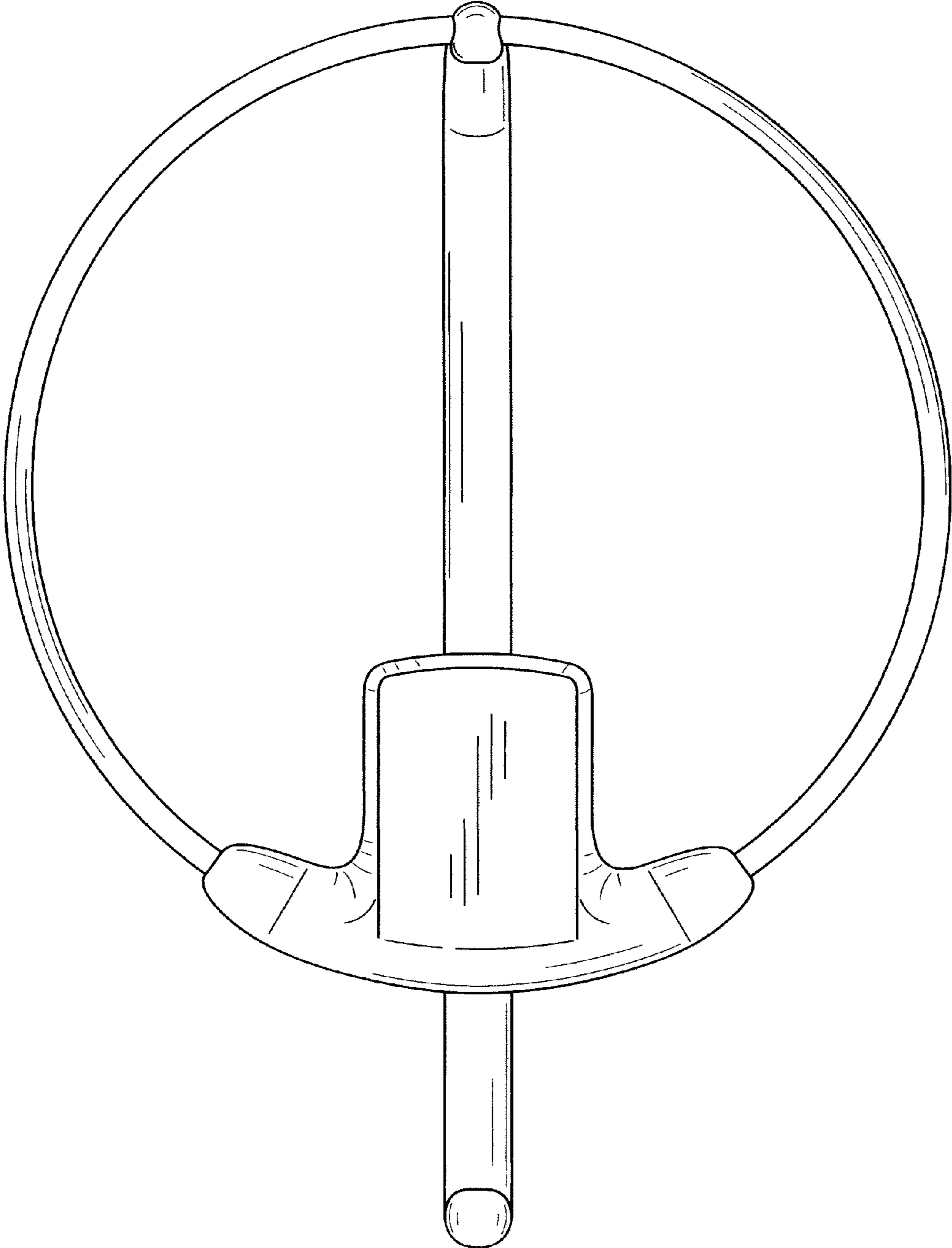


FIG. 7