



US00D624530S

(12) **United States Design Patent**
Hoggarth

(10) **Patent No.:** **US D624,530 S**

(45) **Date of Patent:** **** Sep. 28, 2010**

(54) **BASE STATION FOR HEADSET**

(75) Inventor: **Marcus Hoggarth**, London (GB)

(73) Assignee: **GN Netcom A/S** (DK)

(**) Term: **14 Years**

(21) Appl. No.: **29/338,792**

(22) Filed: **Jun. 18, 2009**

(30) **Foreign Application Priority Data**

Dec. 22, 2008 (EM) 001060917-0001/00

(51) **LOC (9) Cl.** **14-01**

(52) **U.S. Cl.** **D14/224**

(58) **Field of Classification Search** D14/205,
D14/206, 223, 225, 229, 149, 137, 168, 214,
D14/240, 434, 209.1, 224, 224.1, 238.1, 435,
D14/435.1; 181/129, 130; 379/430; 455/90.2,
455/575.1; 381/380, 381, 370, 330; 320/111,
320/113, 115

See application file for complete search history.

(56) **References Cited**

U.S. PATENT DOCUMENTS

5,095,382	A *	3/1992	Abe	398/202
D337,116	S *	7/1993	Hattori	D14/206
D355,913	S *	2/1995	Chong	D14/168
D357,248	S *	4/1995	Cheng	D14/137
6,377,684	B1 *	4/2002	Lucey et al.	379/430
D462,342	S *	9/2002	Polito et al.	D14/224
D494,574	S *	8/2004	Schmidt et al.	D14/240
D496,029	S *	9/2004	Skulley et al.	D14/224
D518,034	S *	3/2006	Lee	D14/224
D518,477	S *	4/2006	Chen	D14/223
D519,975	S *	5/2006	Skulley et al.	D14/149
D523,847	S *	6/2006	Naruki	D14/224.1
D531,165	S *	10/2006	Rath	D14/206
7,130,419	B2 *	10/2006	Bodley et al.	379/430

D560,208	S *	1/2008	Skurdal	D14/214
D560,657	S *	1/2008	Langberg et al.	D14/214
D563,385	S *	3/2008	Skurdal	D14/214
D566,697	S *	4/2008	Nielsen et al.	D14/224
D579,004	S *	10/2008	Bang et al.	D14/223
D581,903	S *	12/2008	Joseph	D14/214
D584,283	S *	1/2009	Soetejo et al.	D14/205
D584,293	S *	1/2009	Kim et al.	D14/223
D584,720	S *	1/2009	Houy	D14/223
D589,031	S *	3/2009	Bentley et al.	D14/224
D593,998	S *	6/2009	Bentley et al.	D14/224
D597,939	S *	8/2009	Tkachuk	D13/108
D599,331	S *	9/2009	Bentley et al.	D14/224
D601,543	S *	10/2009	Bentley	D14/206
D602,001	S *	10/2009	Bentley	D14/206
D602,008	S *	10/2009	Bentley et al.	D14/224

* cited by examiner

Primary Examiner—Paula Greene

(74) *Attorney, Agent, or Firm*—Altera Law Group, LLC

(57) **CLAIM**

The ornamental design for a base station for headset, as shown and described.

DESCRIPTION

FIG. 1 is a perspective view of the base station with a portion shown closed.

FIG. 2 is a perspective view of a base station in an open position, the surface behind the raised portion is plane and unornamented;

FIG. 3 is a front view with a portion open.

FIG. 4 is a back view with a portion open.

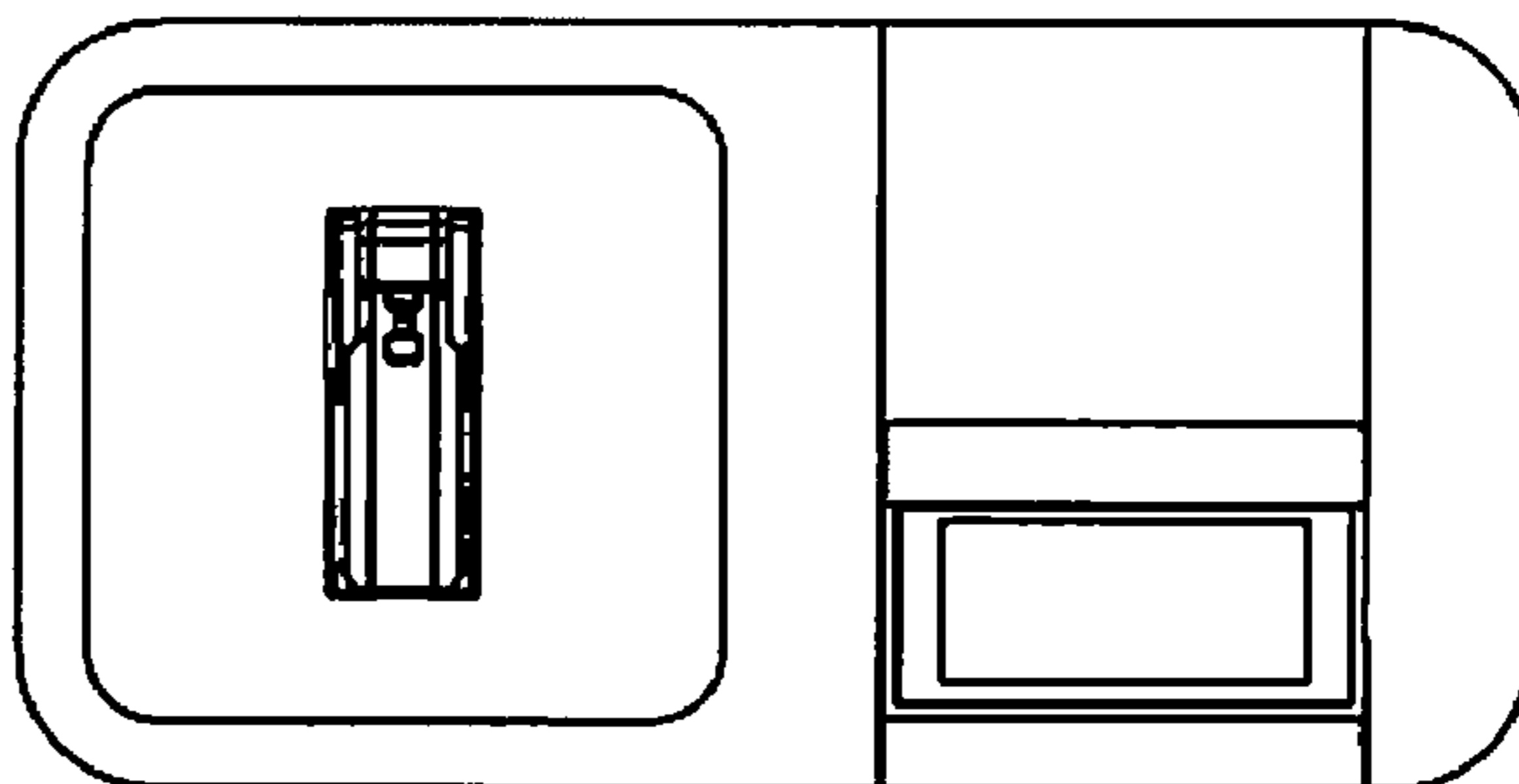
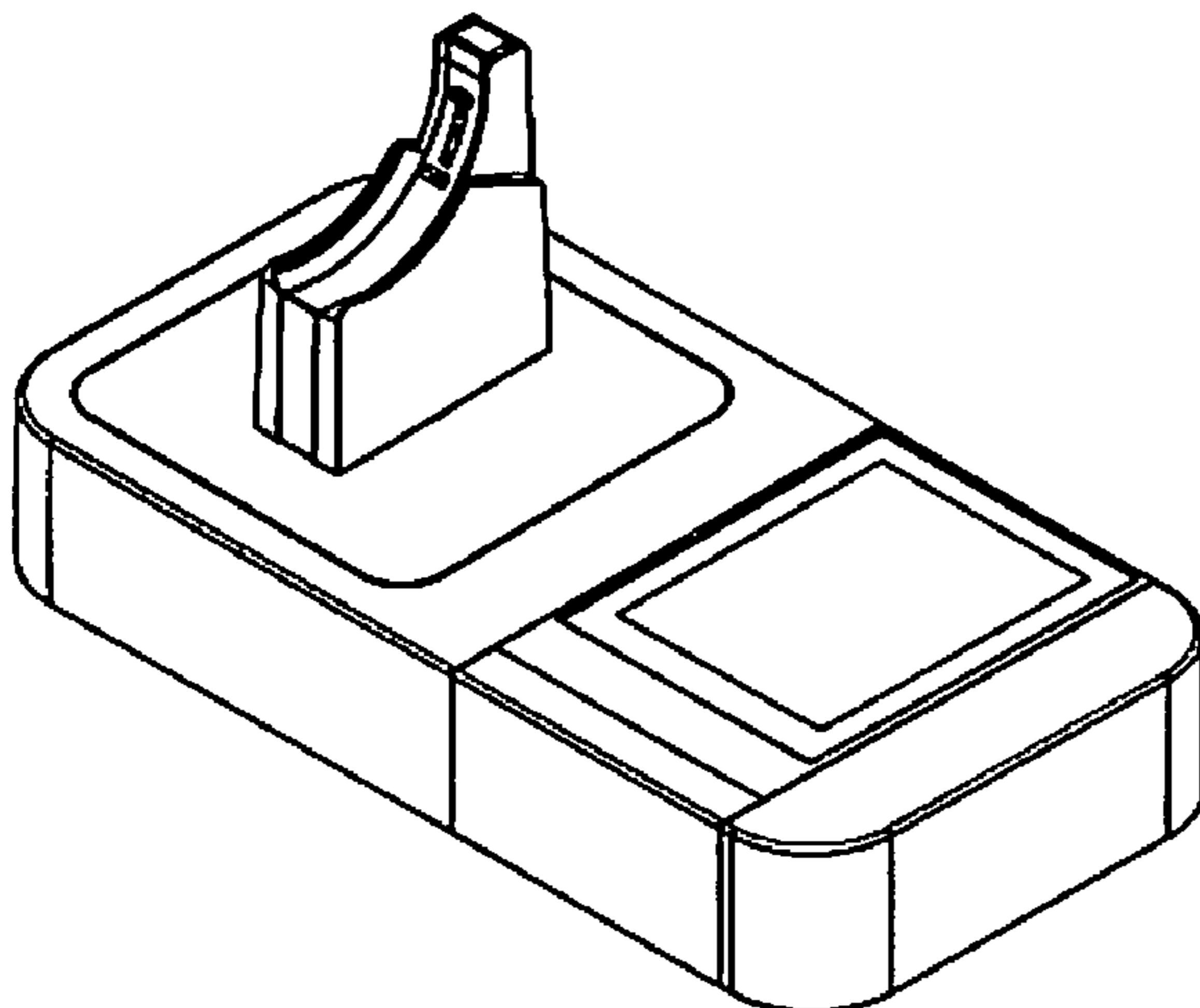
FIG. 5 is a top view thereof.

FIG. 6 is a bottom view thereof; and,

FIG. 7 is a side view with a portion open.

The broken lines form no part of the claimed design.

1 Claim, 2 Drawing Sheets



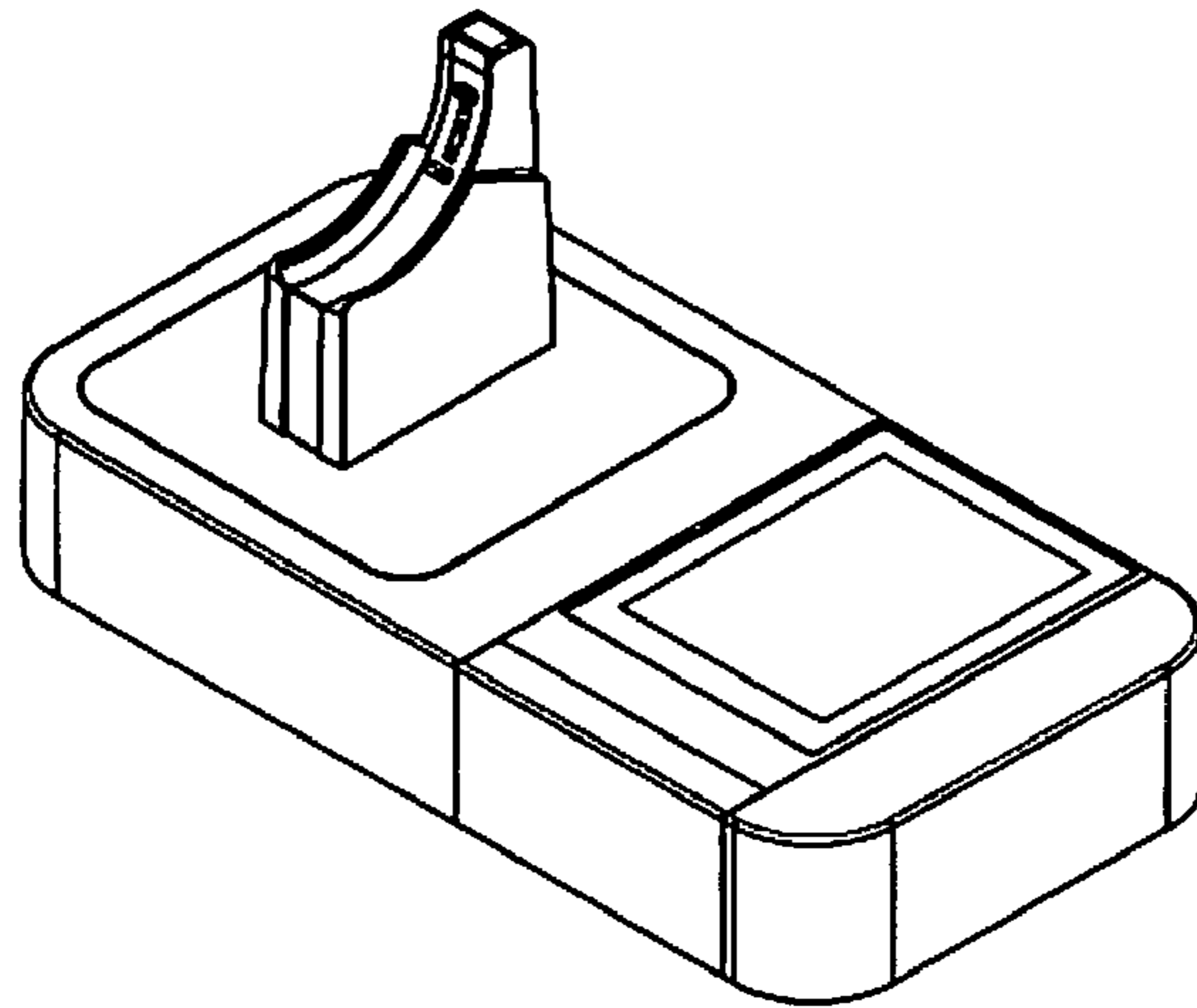


Fig. 1

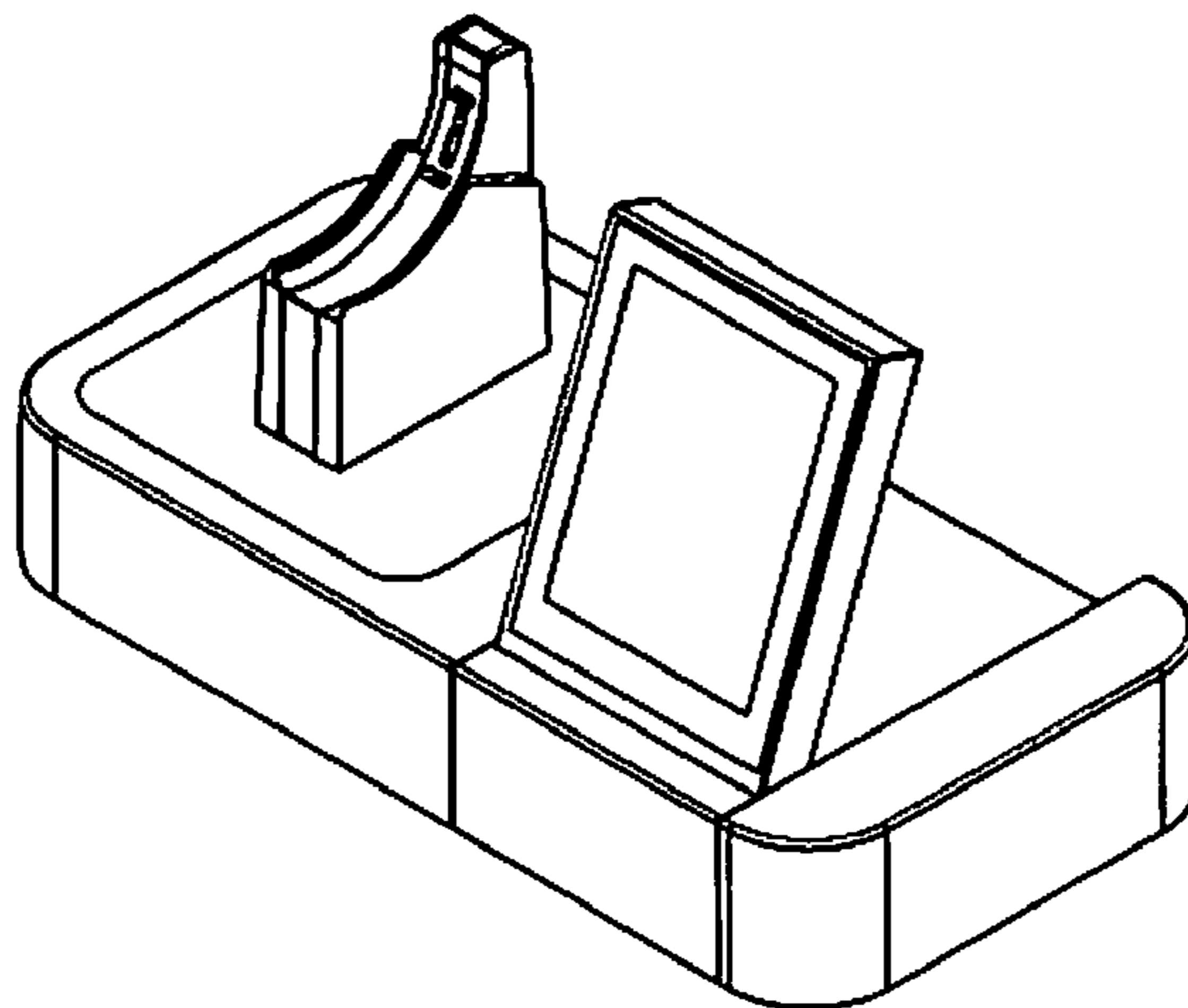


Fig. 2

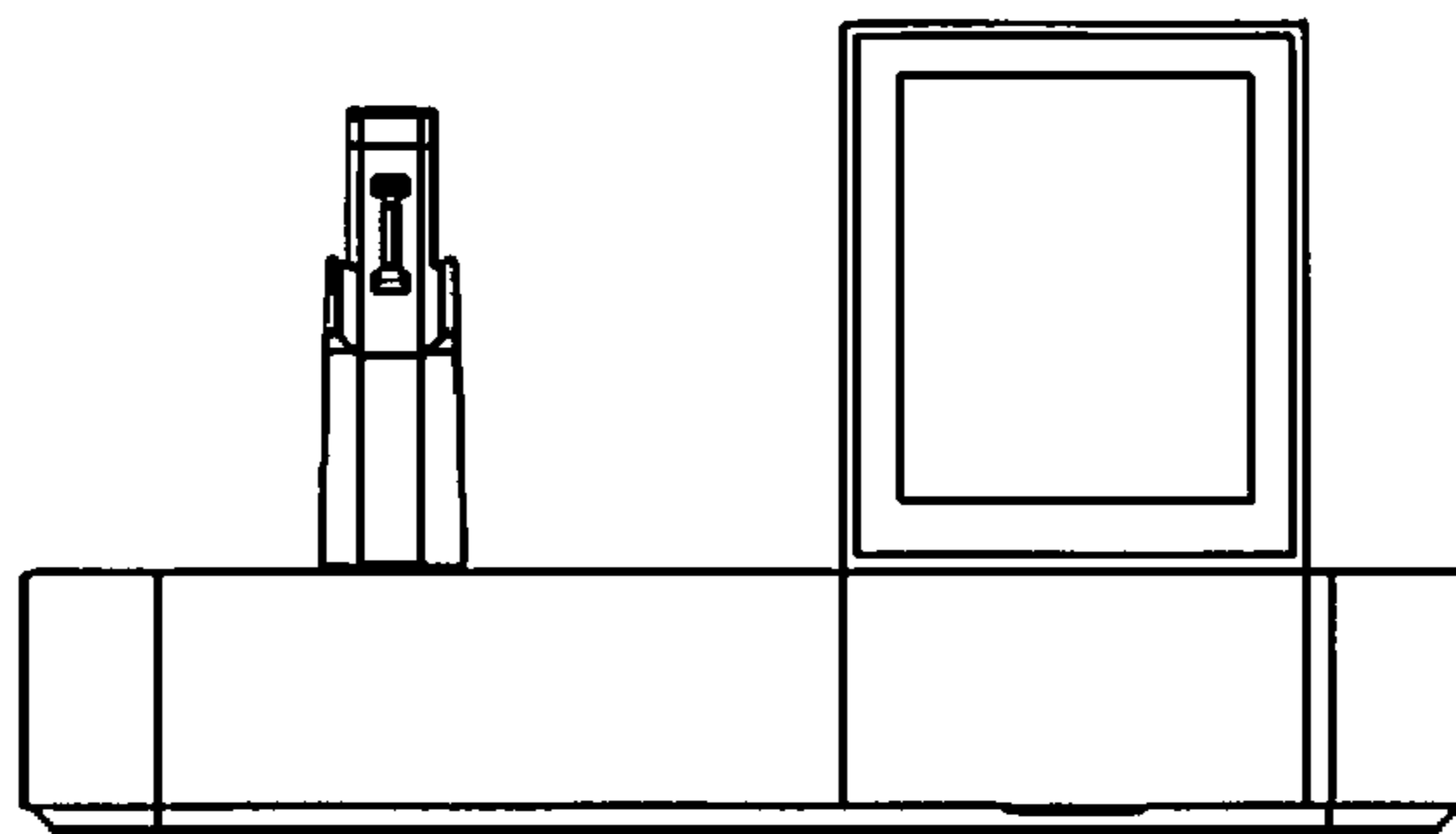


Fig. 3

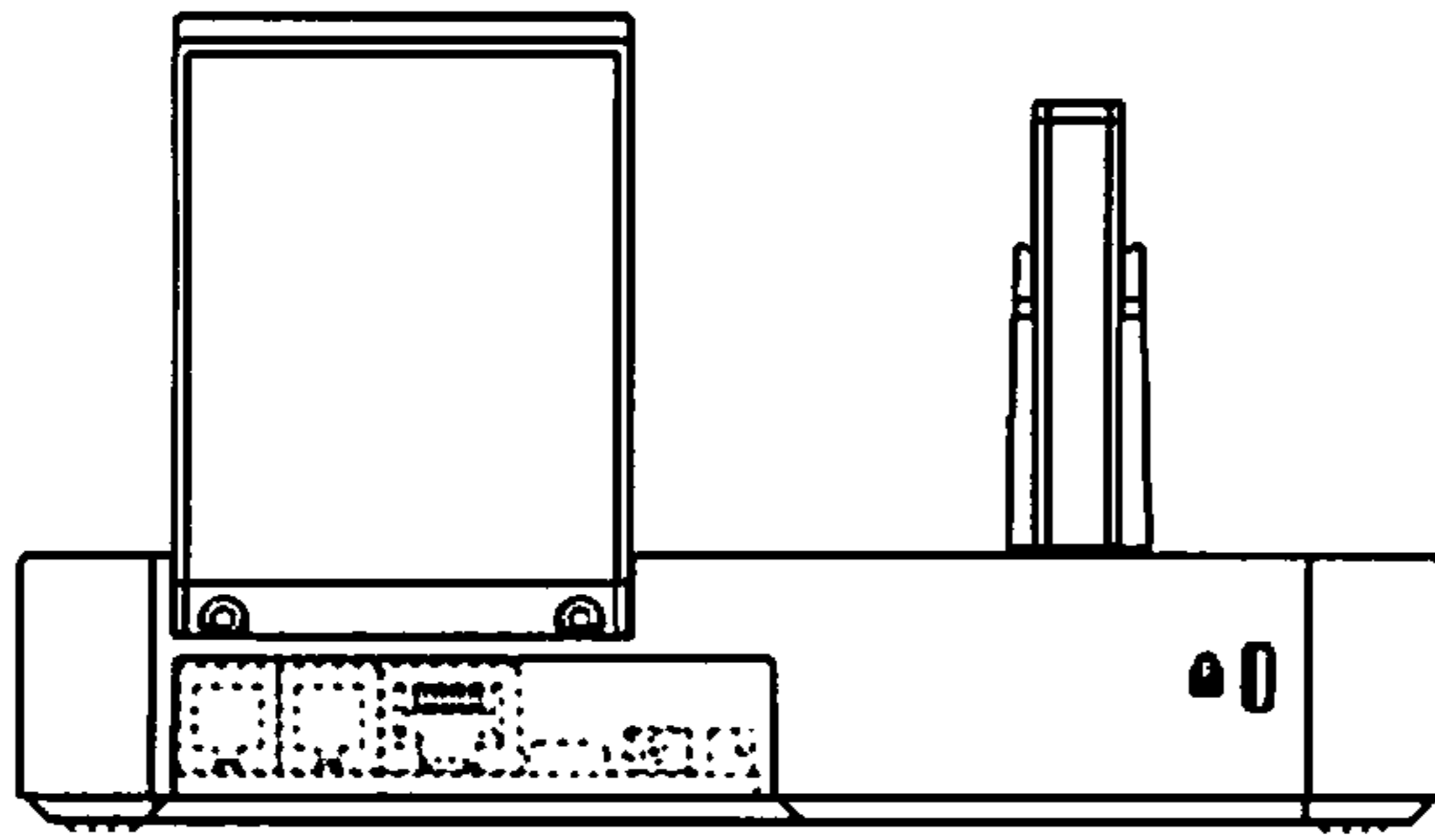


Fig. 4

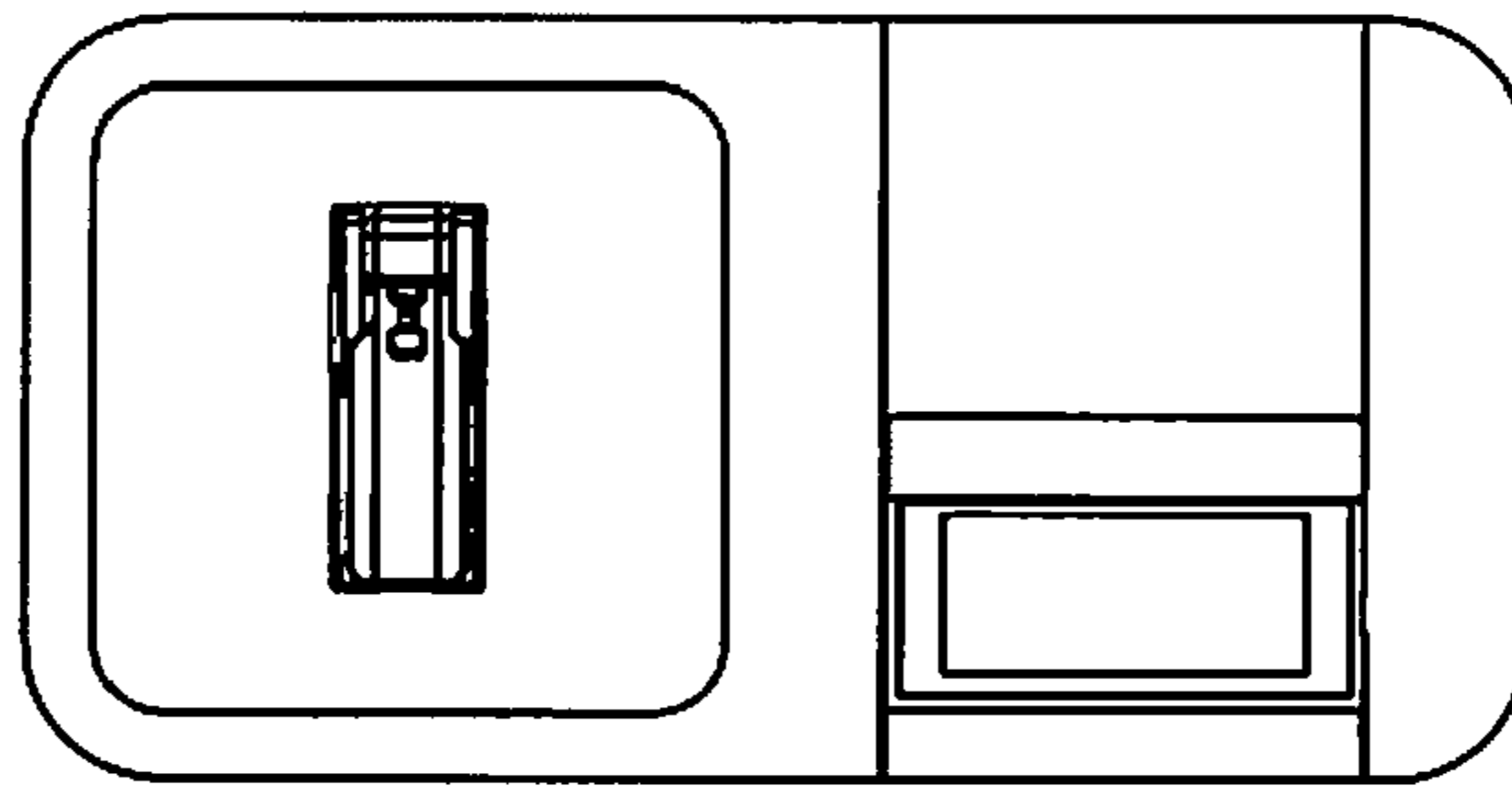


Fig. 5

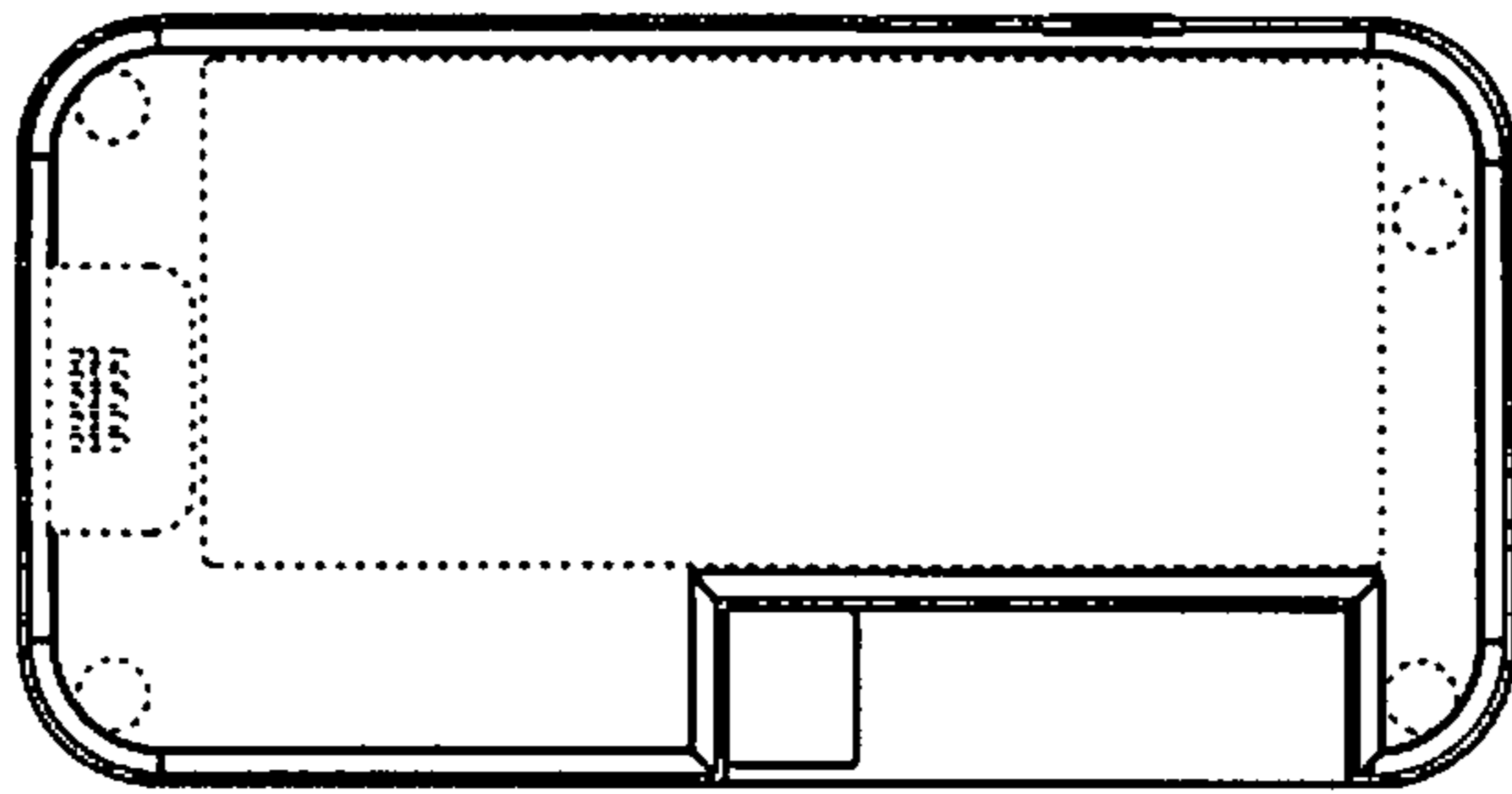


Fig. 6

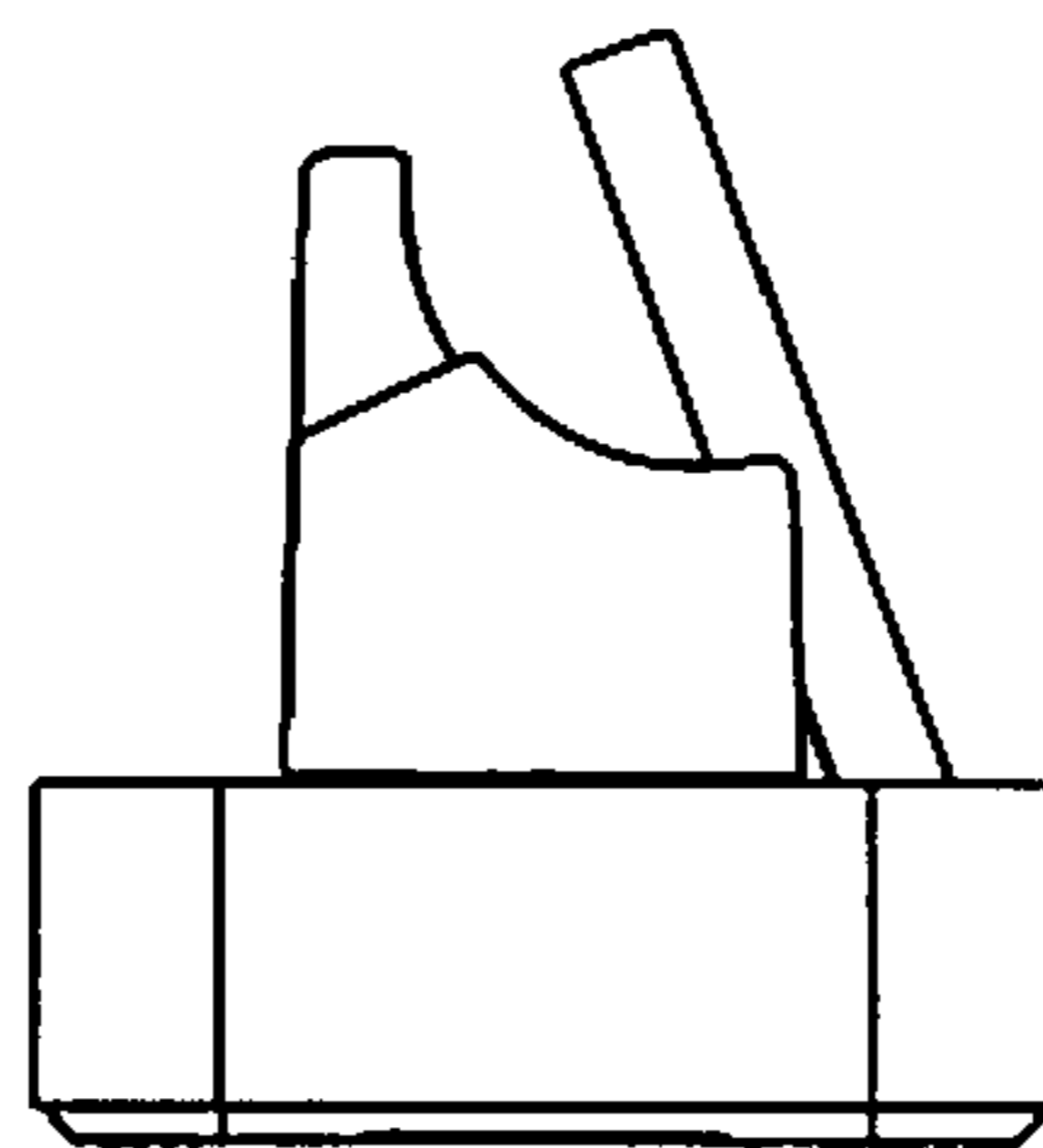


Fig. 7