



US00D624529S

(12) **United States Design Patent**
Huang

(10) **Patent No.:** **US D624,529 S**

(45) **Date of Patent:** **** Sep. 28, 2010**

(54) **EARPHONE**

(75) Inventor: **To-Teng Huang**, Taoyuan (TW)

(73) Assignee: **Jetvox Acoustic Corp.**, Taoyuan,
Taoyuan County (TW)

(**) Term: **14 Years**

(21) Appl. No.: **29/347,438**

(22) Filed: **Jan. 8, 2010**

(51) **LOC (9) Cl.** **14-01**

(52) **U.S. Cl.** **D14/223; D14/206**

(58) **Field of Classification Search** D14/205,
D14/206, 223, 192; 181/129, 130, 158, 135;
381/380, 381, 322, 360, 375, 385; 455/575.1,
455/575.2, 90.3

See application file for complete search history.

(56) **References Cited**

U.S. PATENT DOCUMENTS

| | | | | |
|----------------|---------|-----------------|-------|---------|
| D233,444 S * | 10/1974 | Christian | | D14/206 |
| 4,668,842 A * | 5/1987 | Yokoyama et al. | | 381/380 |
| 5,210,792 A * | 5/1993 | Kajihara | | 379/430 |
| D371,133 S * | 6/1996 | Andrea | | D14/206 |
| D375,959 S * | 11/1996 | Davis et al. | | D14/223 |
| D385,272 S * | 10/1997 | Jensen et al. | | D14/142 |
| D420,007 S * | 2/2000 | Marshall et al. | | D14/226 |
| D460,749 S * | 7/2002 | Liu | | D14/206 |
| 6,427,018 B1 * | 7/2002 | Keliliki | | 381/381 |

| | | | | |
|----------------|---------|--------------------|-------|---------|
| D529,480 S * | 10/2006 | Wittenbrock et al. | | D14/206 |
| D533,865 S * | 12/2006 | Wittenbrock et al. | | D14/206 |
| D556,735 S * | 12/2007 | Yeo | | D14/206 |
| D588,110 S * | 3/2009 | Darbut | | D14/223 |
| D601,126 S * | 9/2009 | Christopher et al. | | D14/206 |
| D606,048 S * | 12/2009 | Soetejo et al. | | D14/223 |
| D607,880 S * | 1/2010 | Chung et al. | | D14/223 |
| 7,708,110 B2 * | 5/2010 | Leong et al. | | 181/135 |
| D618,211 S * | 6/2010 | Oguro et al. | | D14/205 |
| D618,669 S * | 6/2010 | Johnson et al. | | D14/223 |

* cited by examiner

Primary Examiner—Paula Greene

(74) *Attorney, Agent, or Firm*—Bacon & Thomas, PLLC

(57) **CLAIM**

The ornamental design for the earphone, as shown and described.

DESCRIPTION

FIG. 1 is a perspective view of an earphone showing my new design;

FIG. 2 is a front elevational view thereof;

FIG. 3 is a rear elevational view thereof;

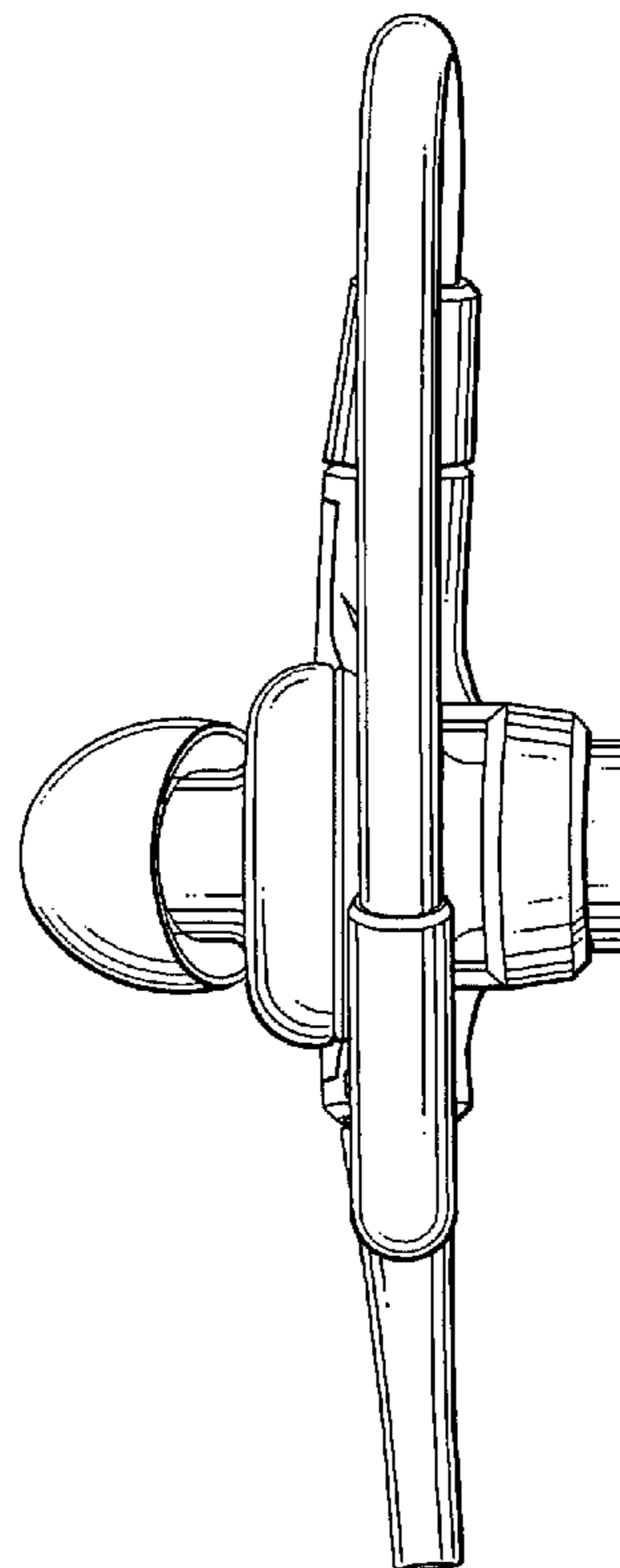
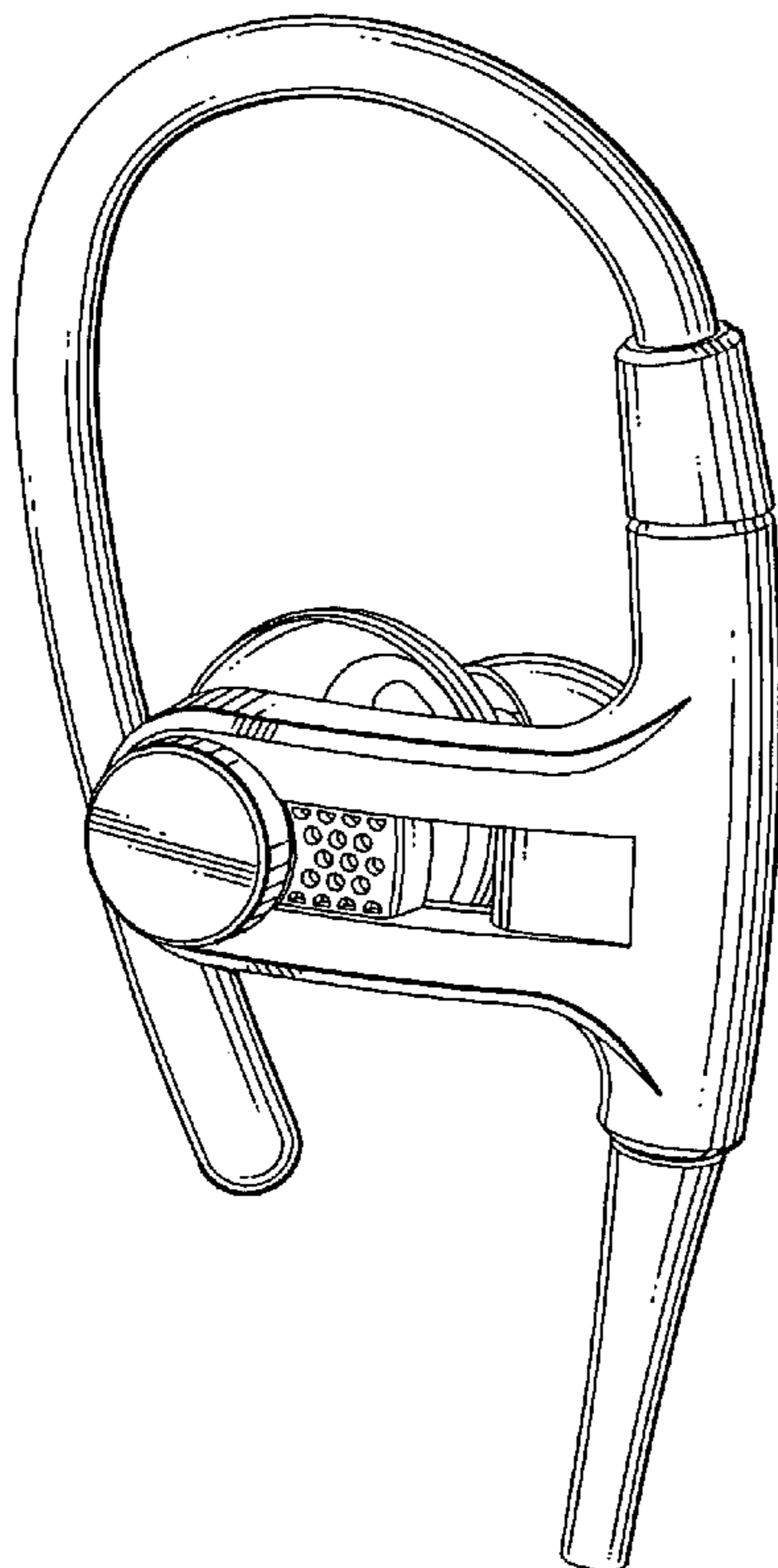
FIG. 4 is a left side elevational view thereof;

FIG. 5 is a right side elevational view thereof;

FIG. 6 is a top plan view thereof; and,

FIG. 7 is a bottom plan view thereof.

1 Claim, 5 Drawing Sheets



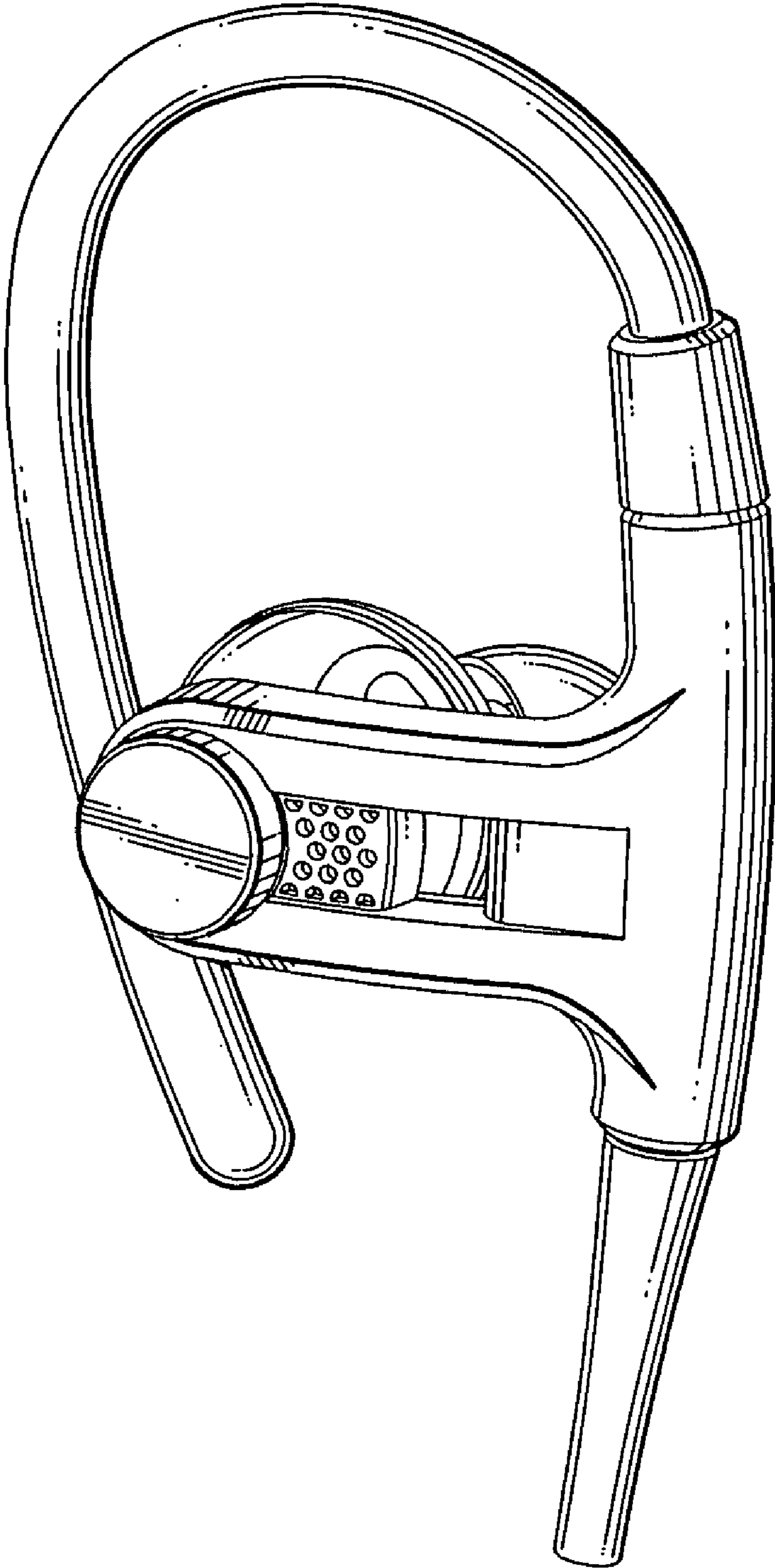


FIG. 1

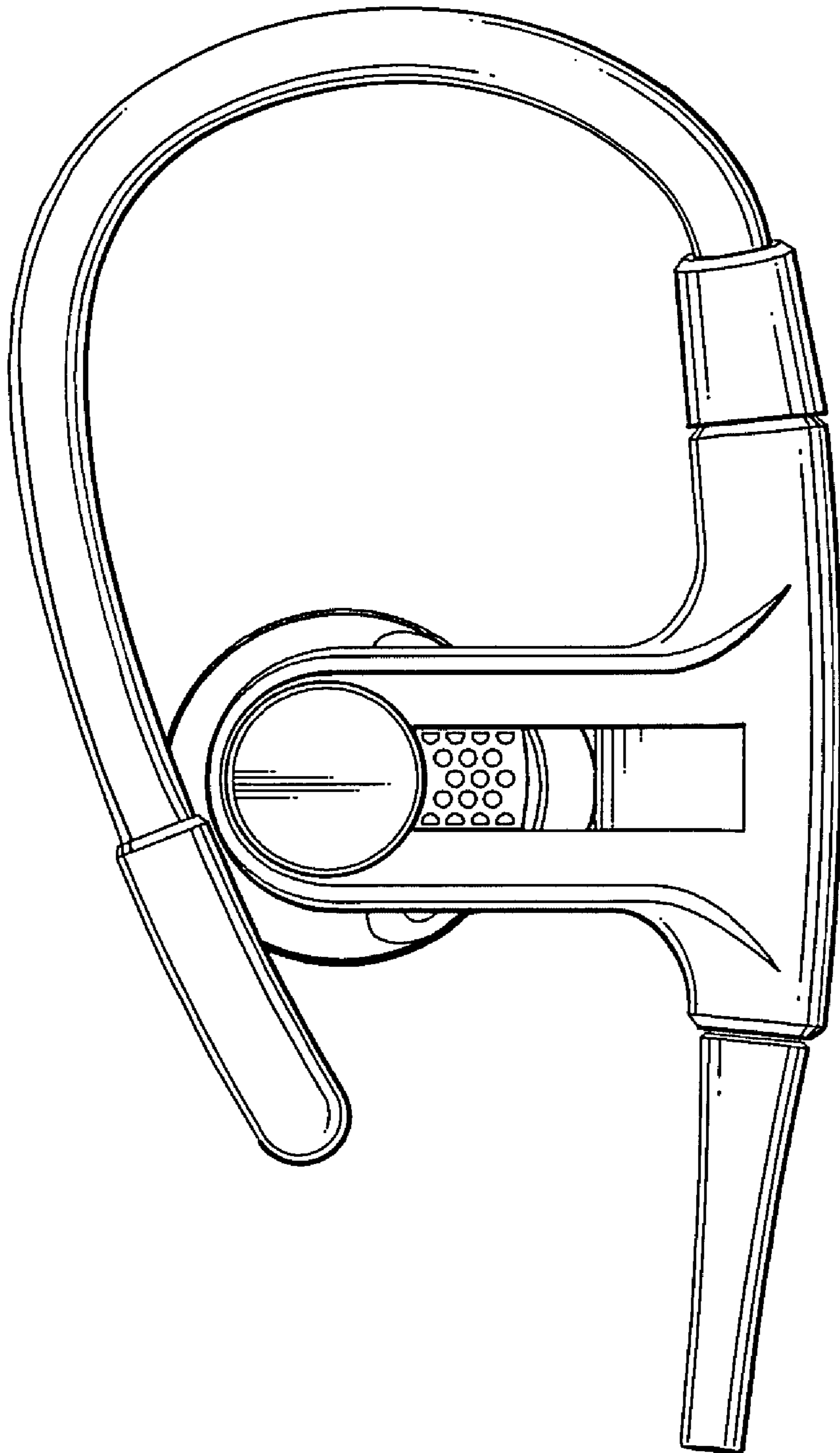


FIG. 2

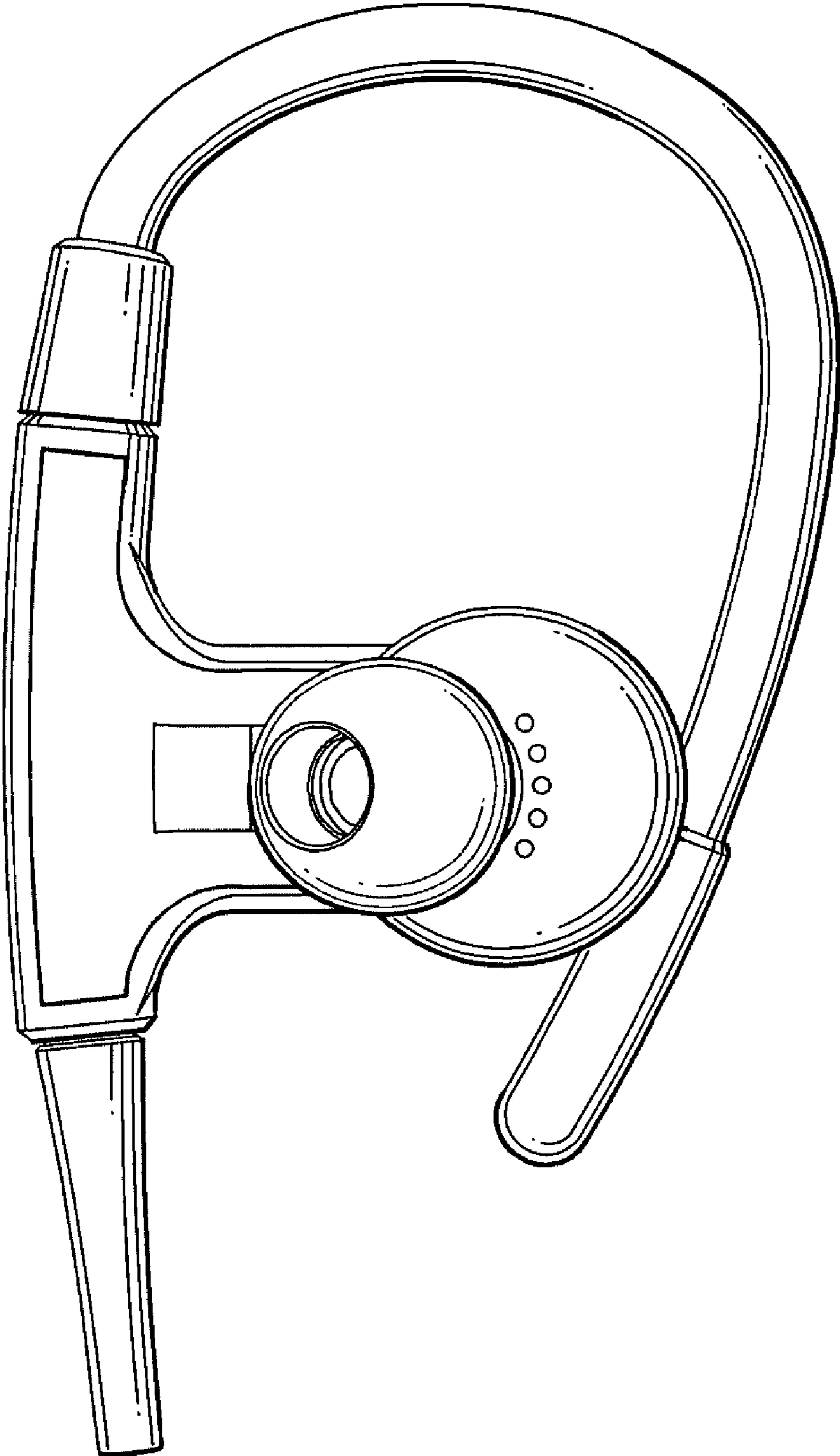


FIG. 3

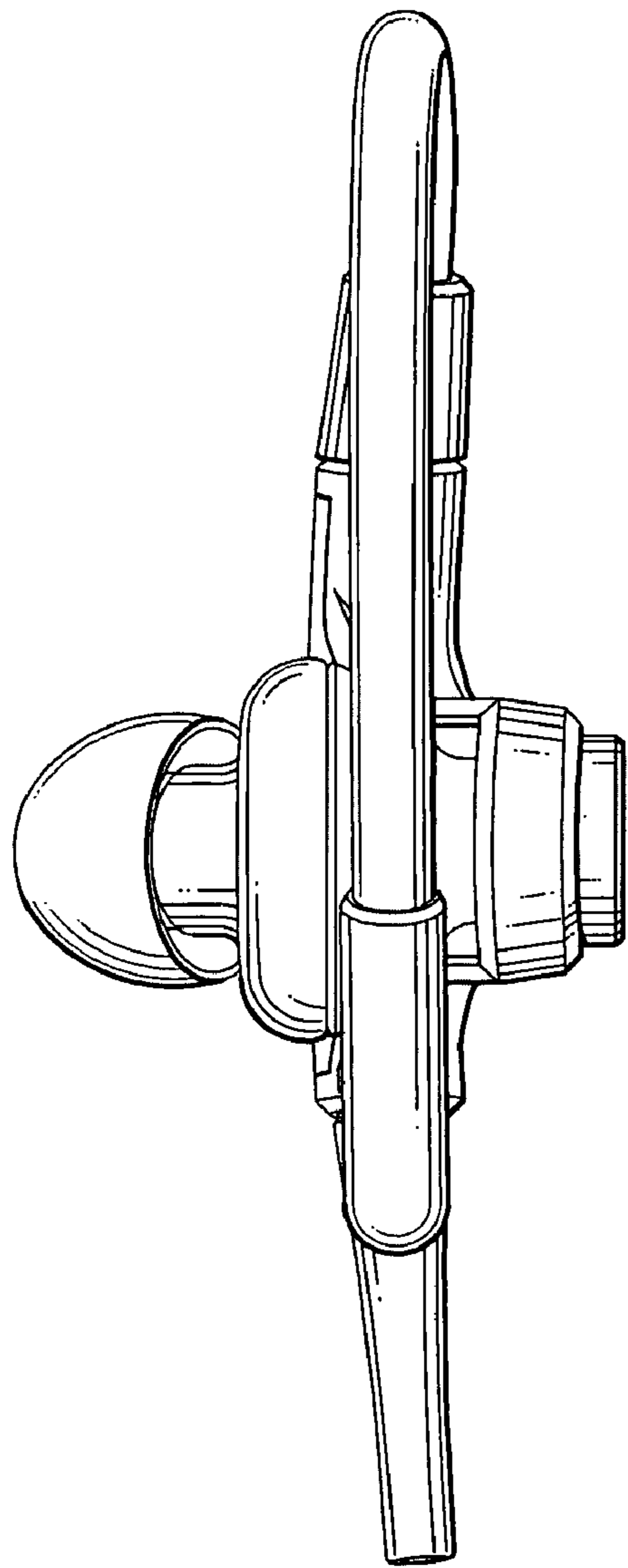


FIG. 4

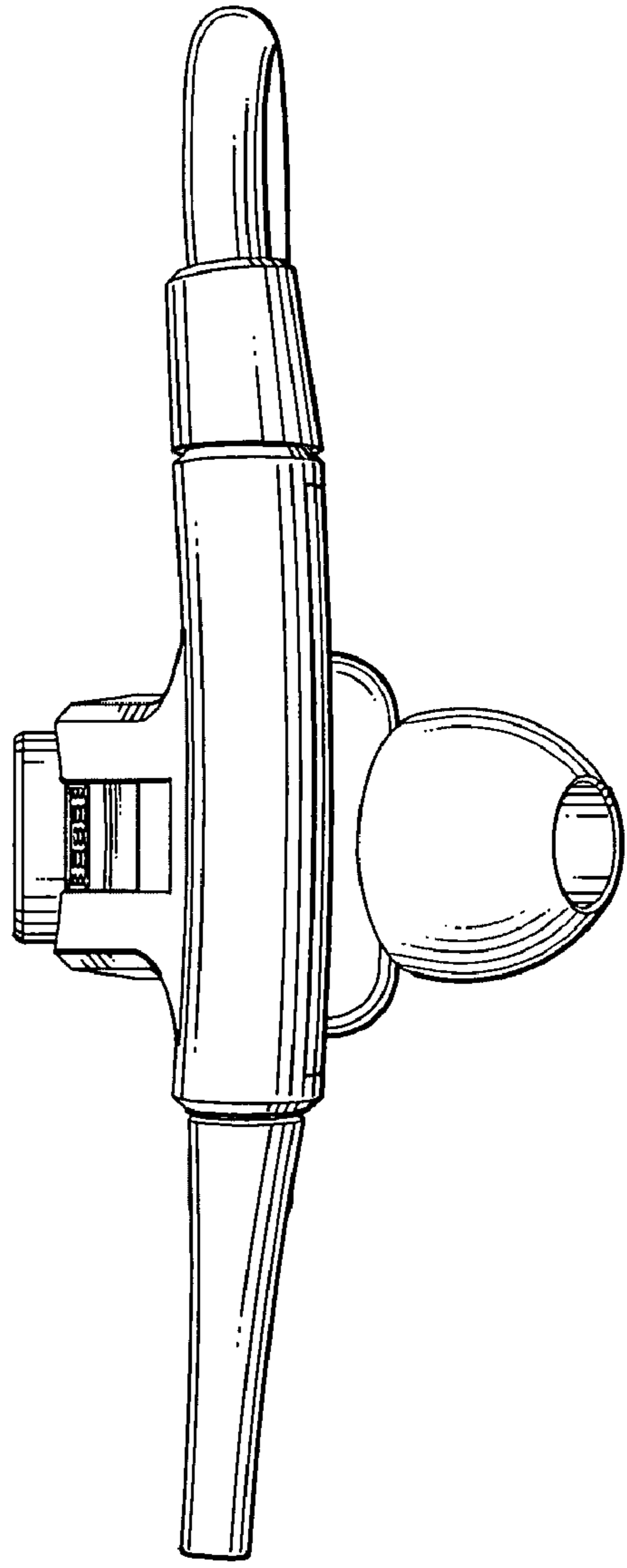


FIG. 5

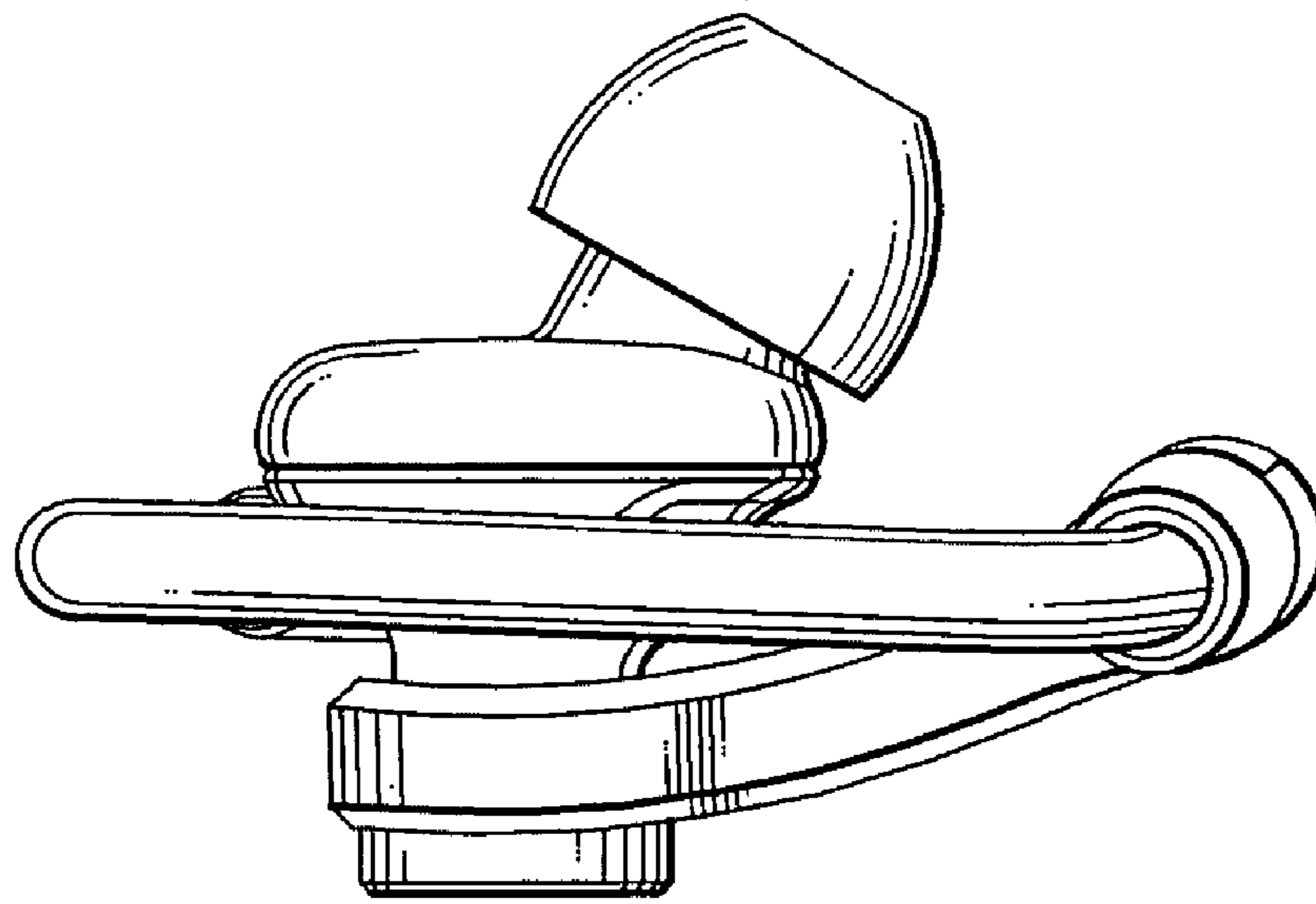


FIG. 6

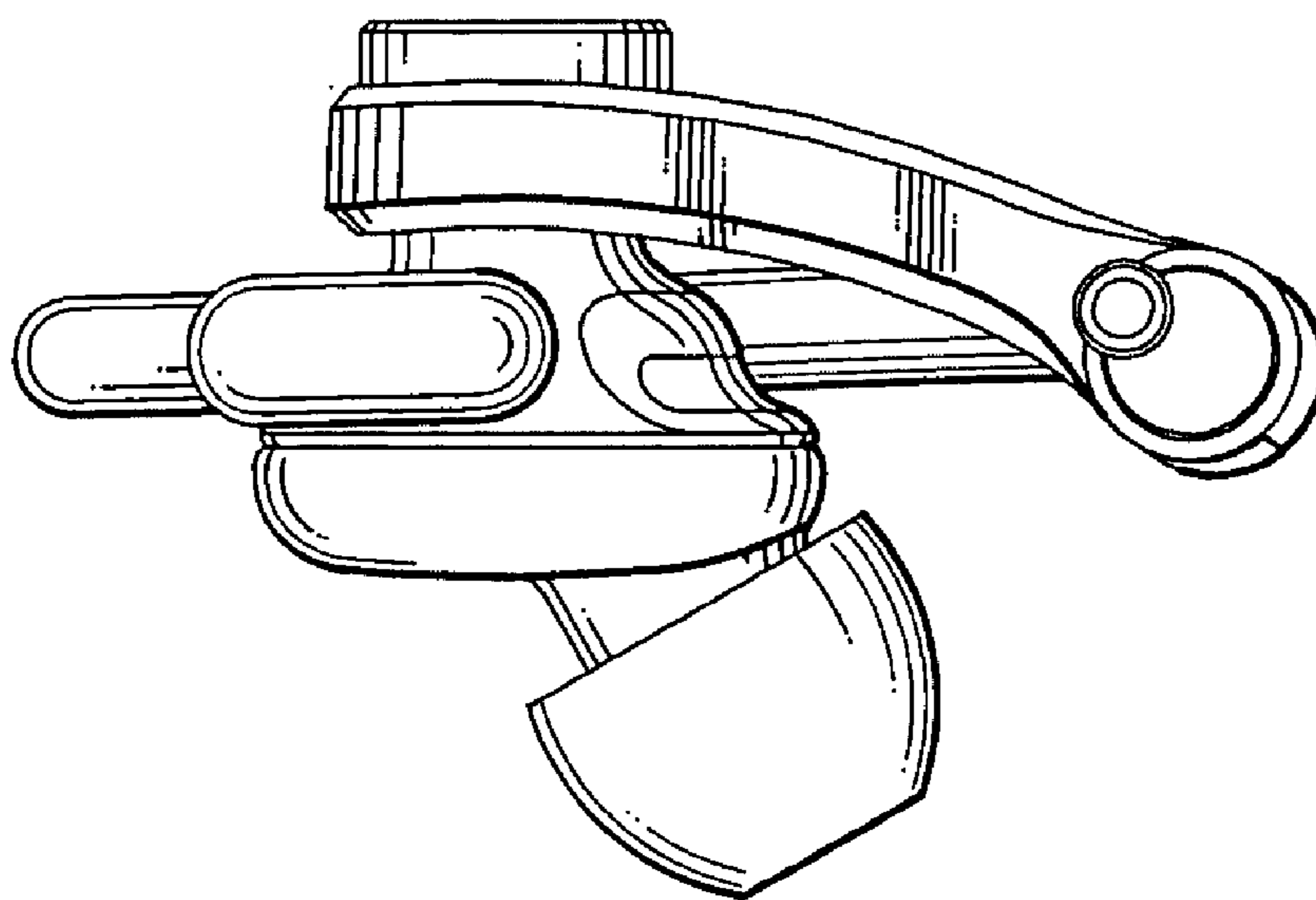


FIG. 7