



US00D624528S

(12) **United States Design Patent**  
**Hoehn et al.**

(10) **Patent No.:** **US D624,528 S**  
(45) **Date of Patent:** **\*\* Sep. 28, 2010**

(54) **NOTEBOOK SPEAKER**

(75) Inventors: **Holger Hoehn**, Hong Kong (HK);  
**Michael Held**, Hong Kong (HK)

(73) Assignee: **Koninklijke Philips Electronics N.V.**,  
Eindhoven (NL)

(\*\*) Term: **14 Years**

(21) Appl. No.: **29/340,922**

(22) Filed: **Jul. 28, 2009**

(30) **Foreign Application Priority Data**

Jan. 28, 2009 (EM) ..... 001077341-0004

(51) **LOC (9) Cl.** ..... **14-01**

(52) **U.S. Cl.** ..... **D14/214**

(58) **Field of Classification Search** ..... D14/204,  
D14/209.1, 210-216, 168, 172; 181/143-144,  
181/147-148, 150-153, 157, 198-199; 381/300-303,  
381/306, 332-333, 336, 345, 361-364, 386-388  
See application file for complete search history.

(56) **References Cited**

**U.S. PATENT DOCUMENTS**

D485,825 S \* 1/2004 Yoneda ..... D14/215

D532,408 S \* 11/2006 Kita ..... D14/214  
D537,071 S \* 2/2007 Chen ..... D14/215  
D545,300 S \* 6/2007 Hong et al. .... D14/214  
D547,748 S \* 7/2007 Tsuge ..... D14/211  
D582,392 S \* 12/2008 Pauschitz et al. .... D14/215  
D589,939 S \* 4/2009 Hsu ..... D14/214

\* cited by examiner

*Primary Examiner*—Nanda Bondade

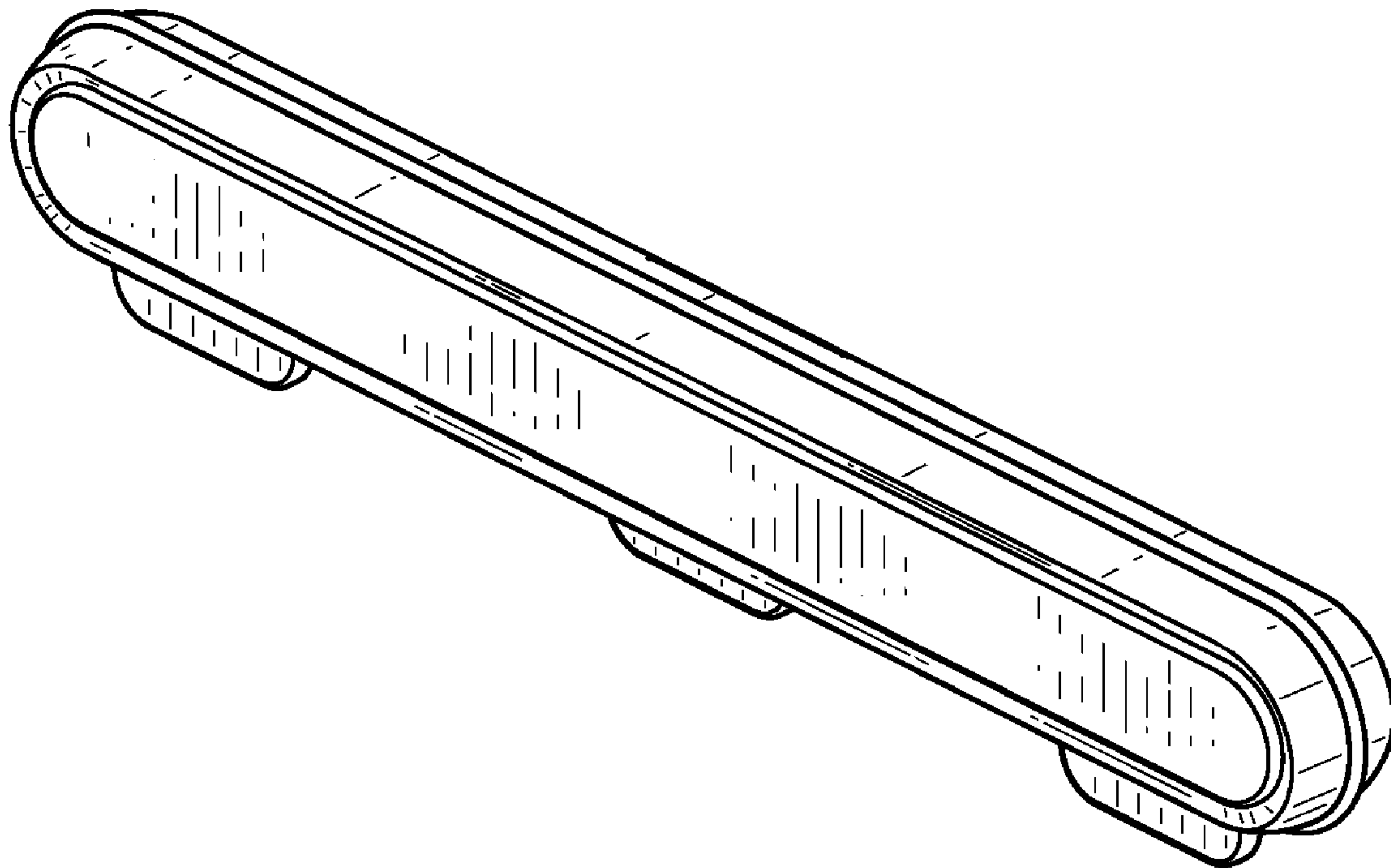
(57) **CLAIM**

The ornamental design for a notebook speaker, as shown.

**DESCRIPTION**

FIG. 1 is a perspective view showing our new design;  
FIG. 2 is a front elevational view thereof;  
FIG. 3 is a rear elevational view thereof;  
FIG. 4 is a right side elevational view thereof;  
FIG. 5 is a left side elevational view thereof;  
FIG. 6 is a top plan view thereof; and,  
FIG. 7 is a bottom plan view thereof.

**1 Claim, 3 Drawing Sheets**



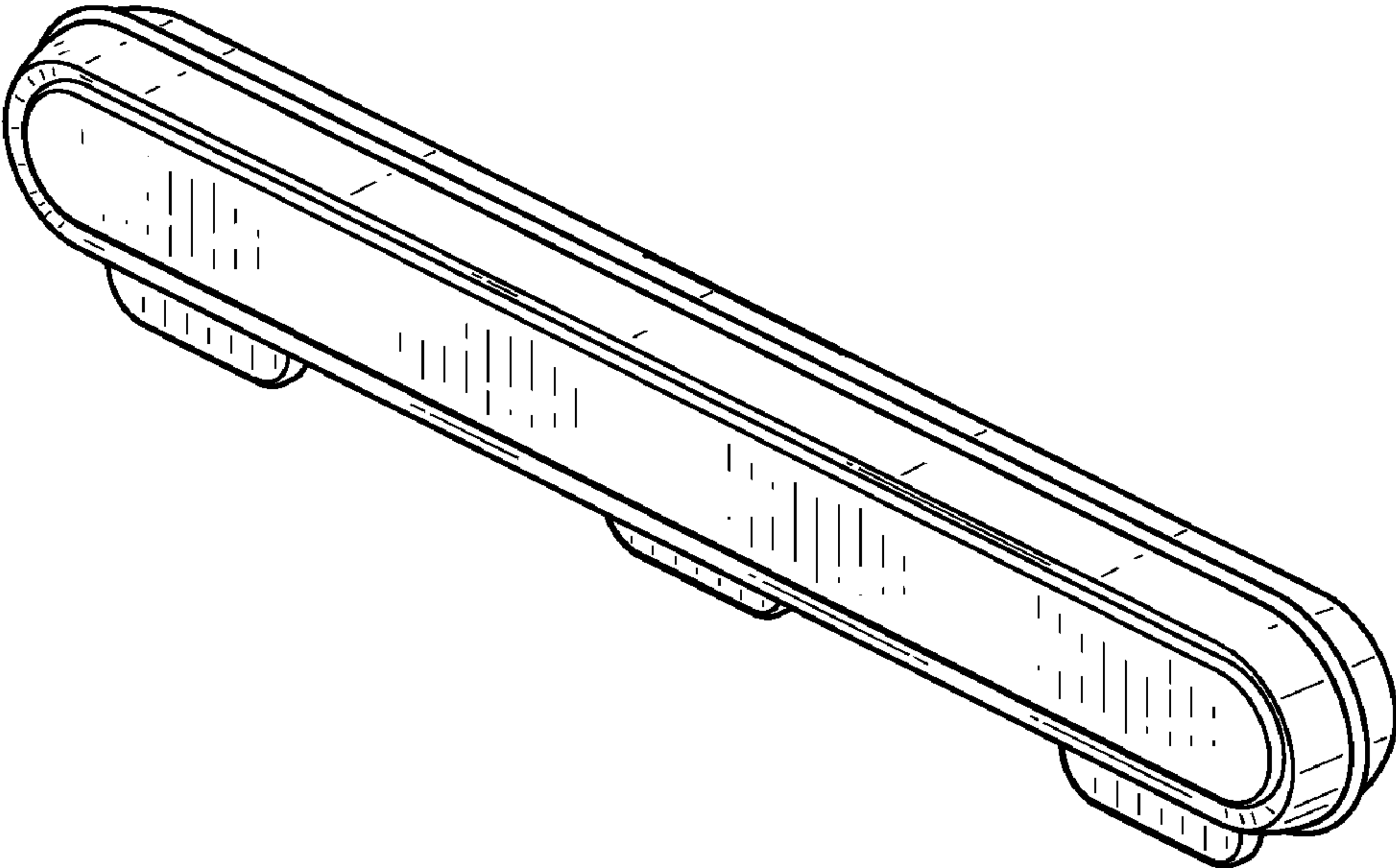


FIG. 1

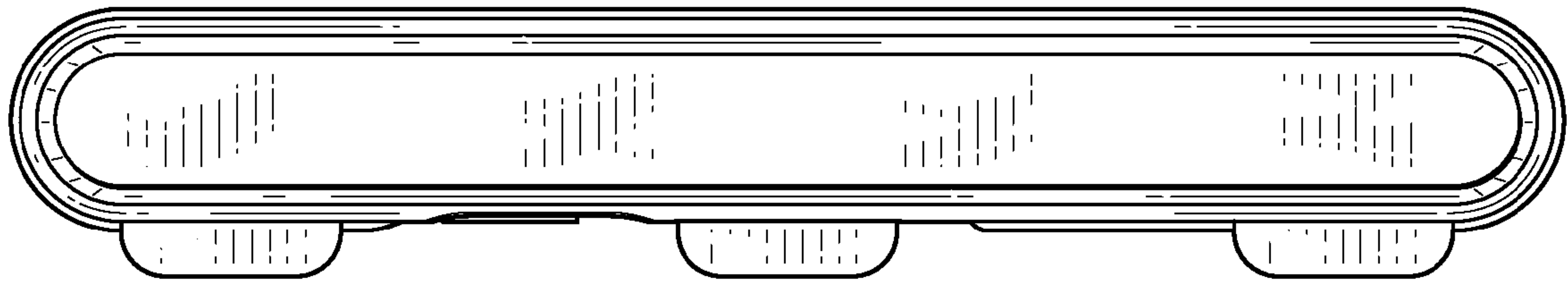


FIG. 2

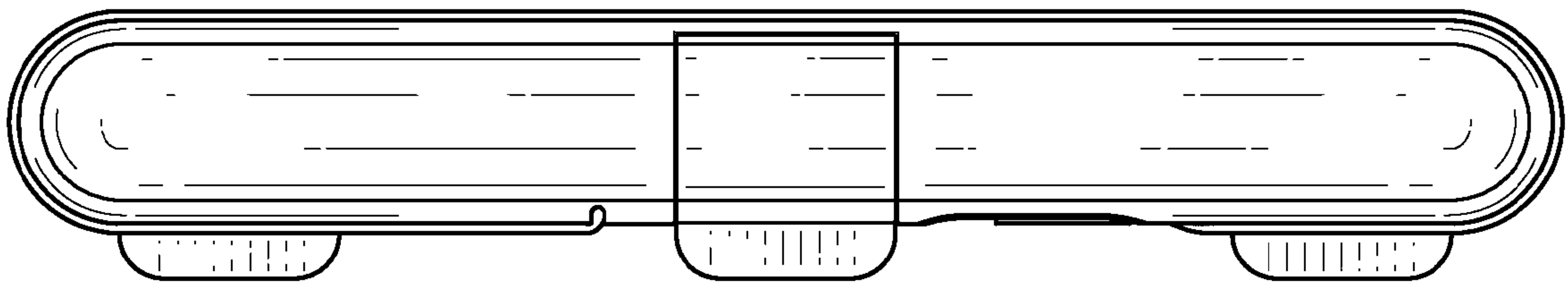


FIG. 3

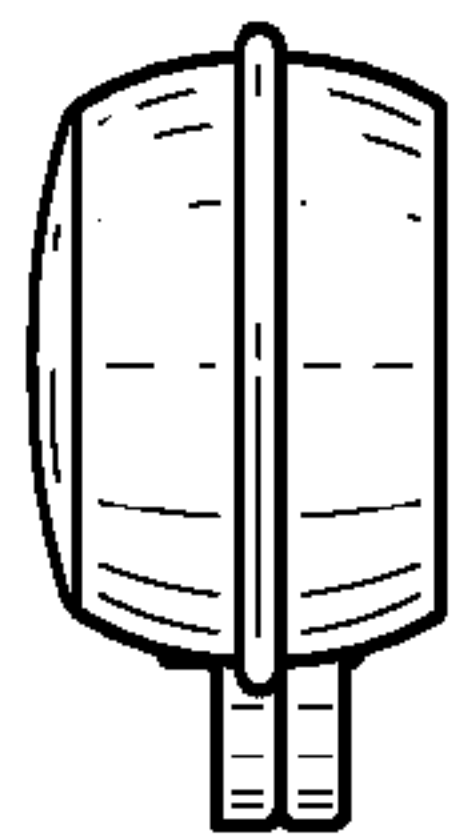


FIG. 4

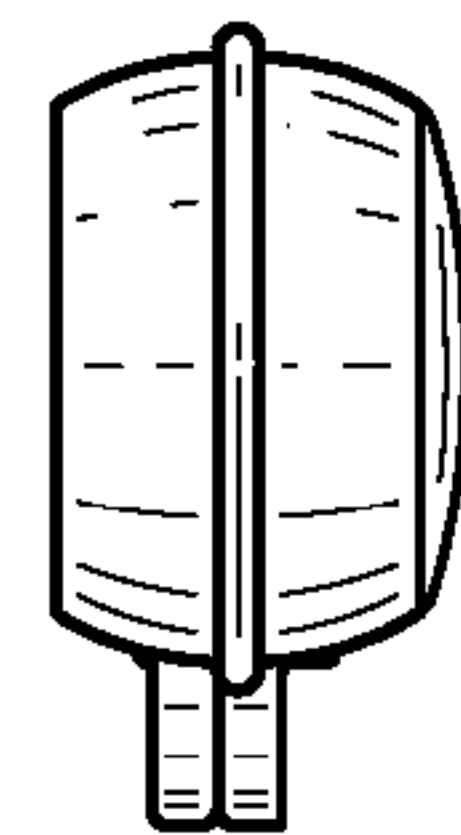


FIG. 5

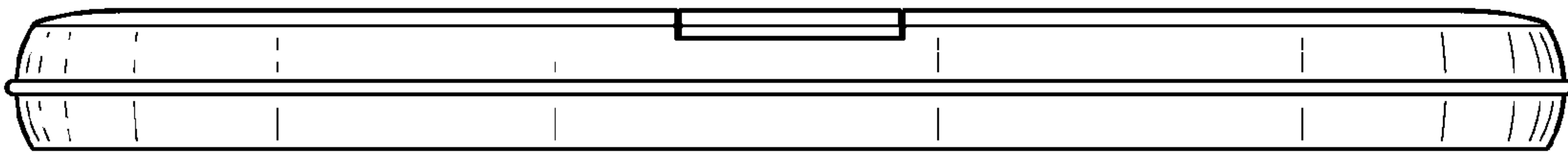


FIG. 6

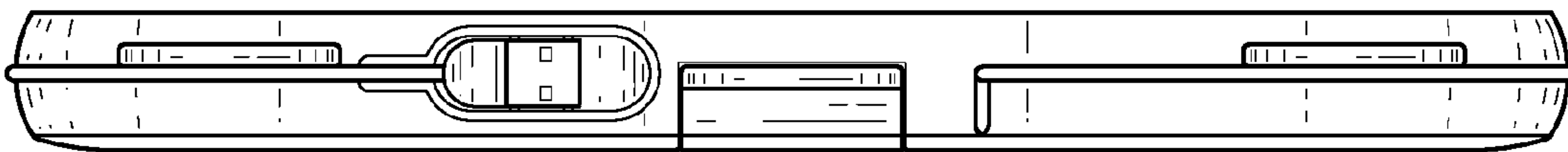


FIG. 7