



US00D624527S

(12) **United States Design Patent**
Ho et al.

(10) **Patent No.:** **US D624,527 S**

(45) **Date of Patent:** **** Sep. 28, 2010**

(54) **SPEAKER**

(76) Inventors: **Wei-Teh Ho**, P.O. Box 24-108, Taipei (TW); **Wei-Yu Ho**, P.O. Box 24-108, Taipei (TW)

(**) Term: **14 Years**

(21) Appl. No.: **29/348,351**

(22) Filed: **Dec. 24, 2009**

(51) **LOC (9) Cl.** **14-01**

(52) **U.S. Cl.** **D14/209.1**

(58) **Field of Classification Search** D14/204,
D14/209.1, 210–216, 168, 172; 181/143–144,
181/147–148, 150–153, 157, 198–199; 381/300–303,
381/306, 332–333, 336, 345, 361–364, 386–388
See application file for complete search history.

(56) **References Cited**

U.S. PATENT DOCUMENTS

D476,308 S * 6/2003 Bhavnani D14/197
D503,932 S * 4/2005 Bhavnani D14/197

D531,989 S * 11/2006 Dayan D14/215
D552,053 S * 10/2007 Kim D14/168
D556,188 S * 11/2007 Ang et al. D14/214

* cited by examiner

Primary Examiner—Nanda Bondade

(57) **CLAIM**

We claim the ornamental design for a speaker, as shown and described.

DESCRIPTION

FIG. 1 is a perspective view of a speaker showing our new design;

FIG. 2 is a front view thereof;

FIG. 3 is a rear view thereof;

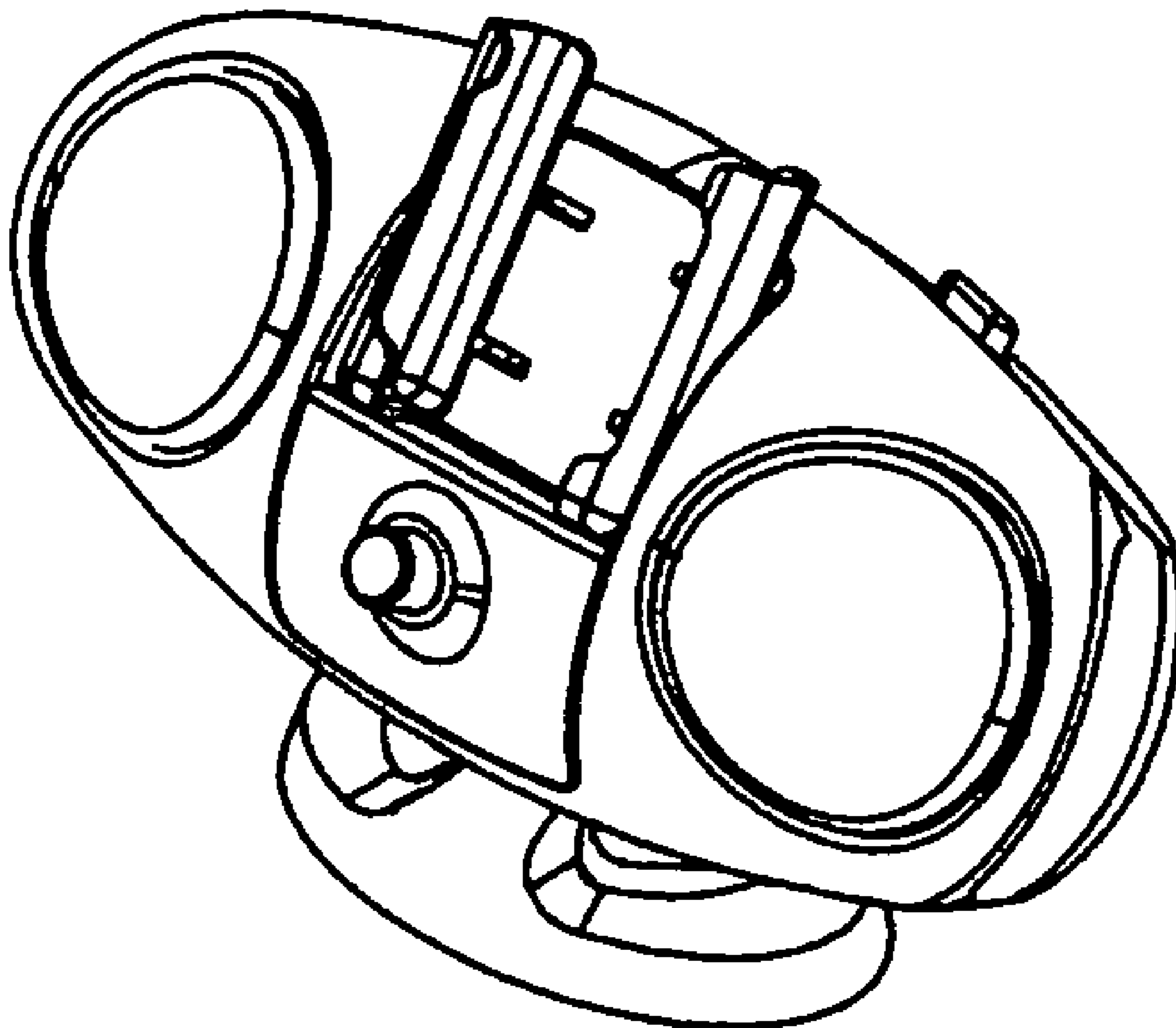
FIG. 4 is a left side view thereof;

FIG. 5 is a right side view thereof;

FIG. 6 is a top plan view thereof; and,

FIG. 7 is a bottom plan view thereof.

1 Claim, 1 Drawing Sheet



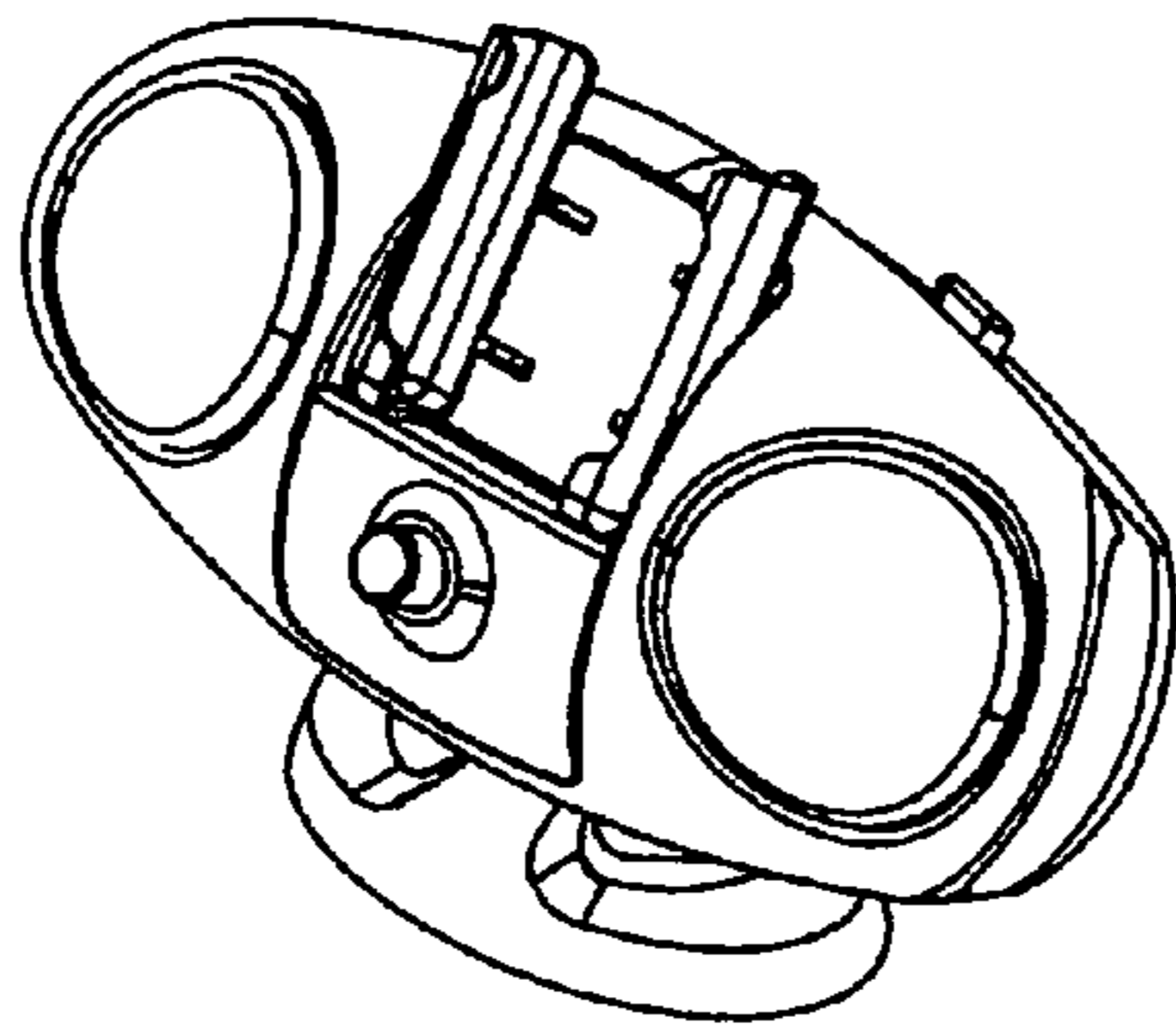


FIG. 1

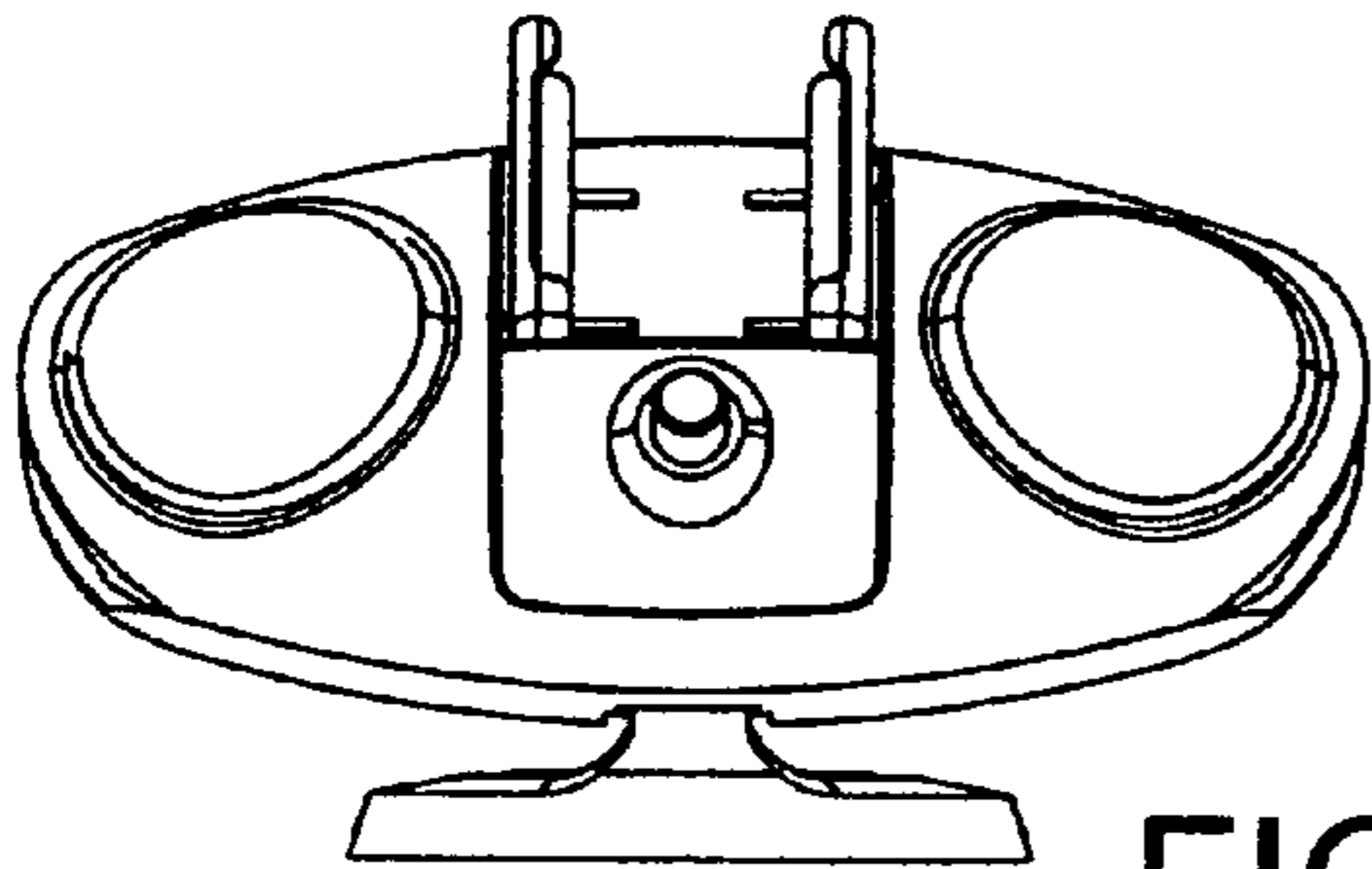


FIG. 2

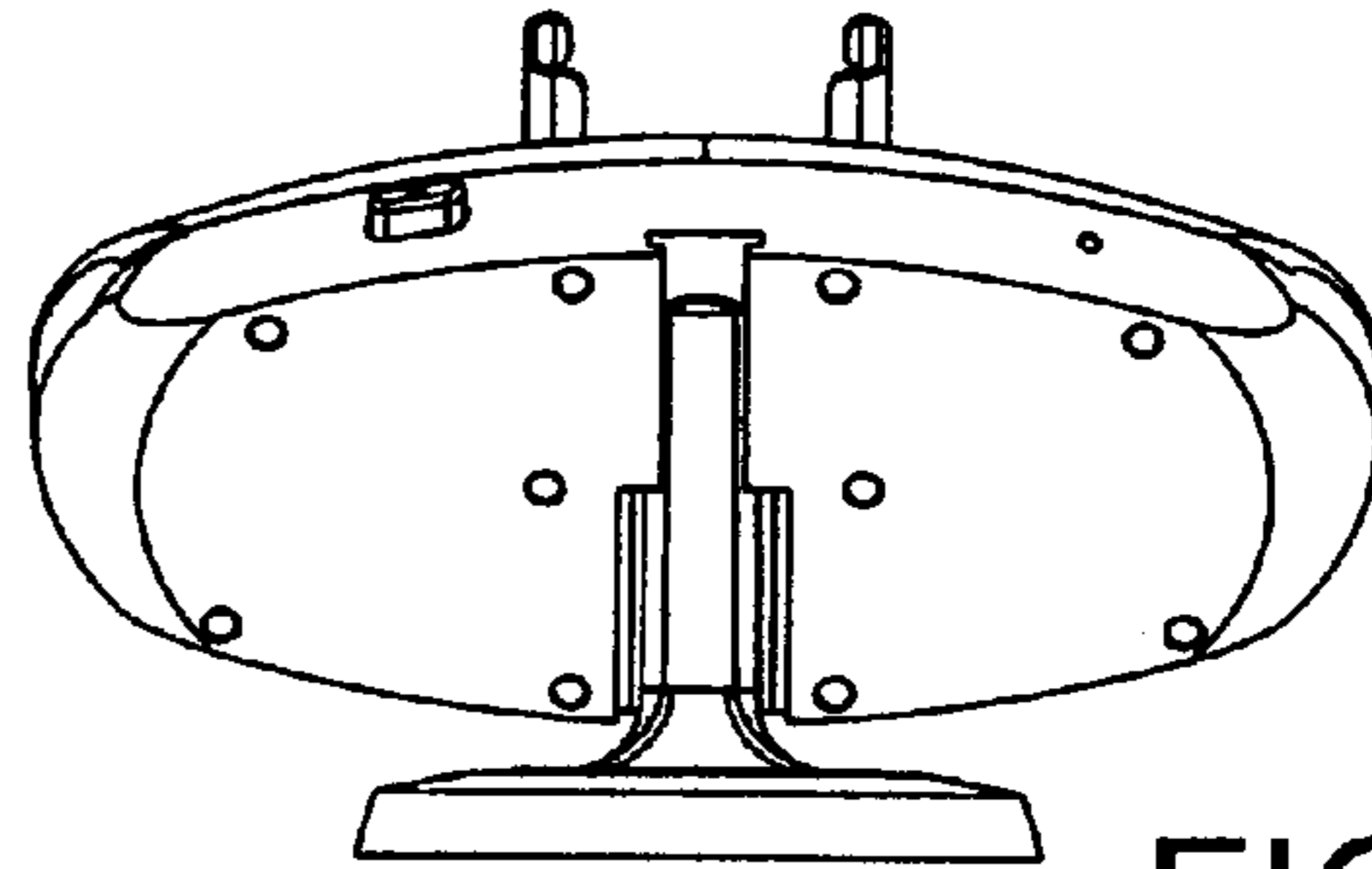


FIG. 3

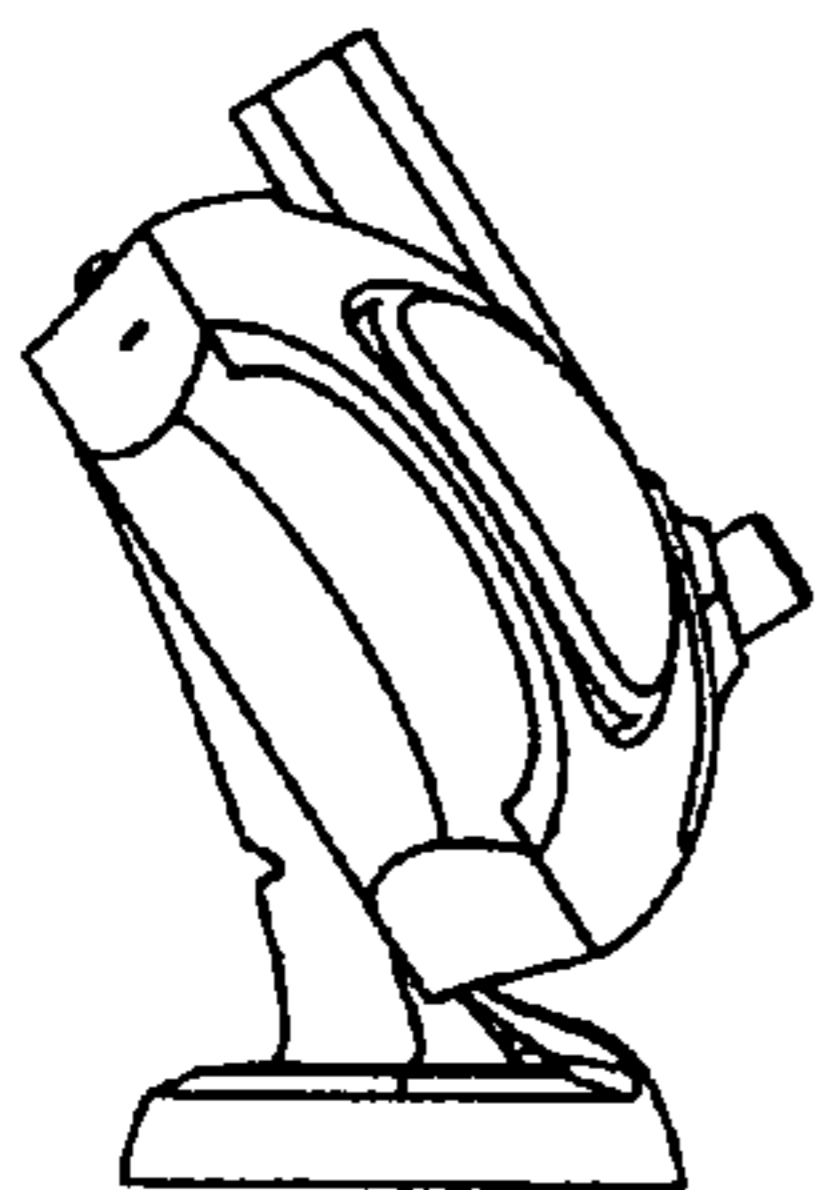


FIG. 4

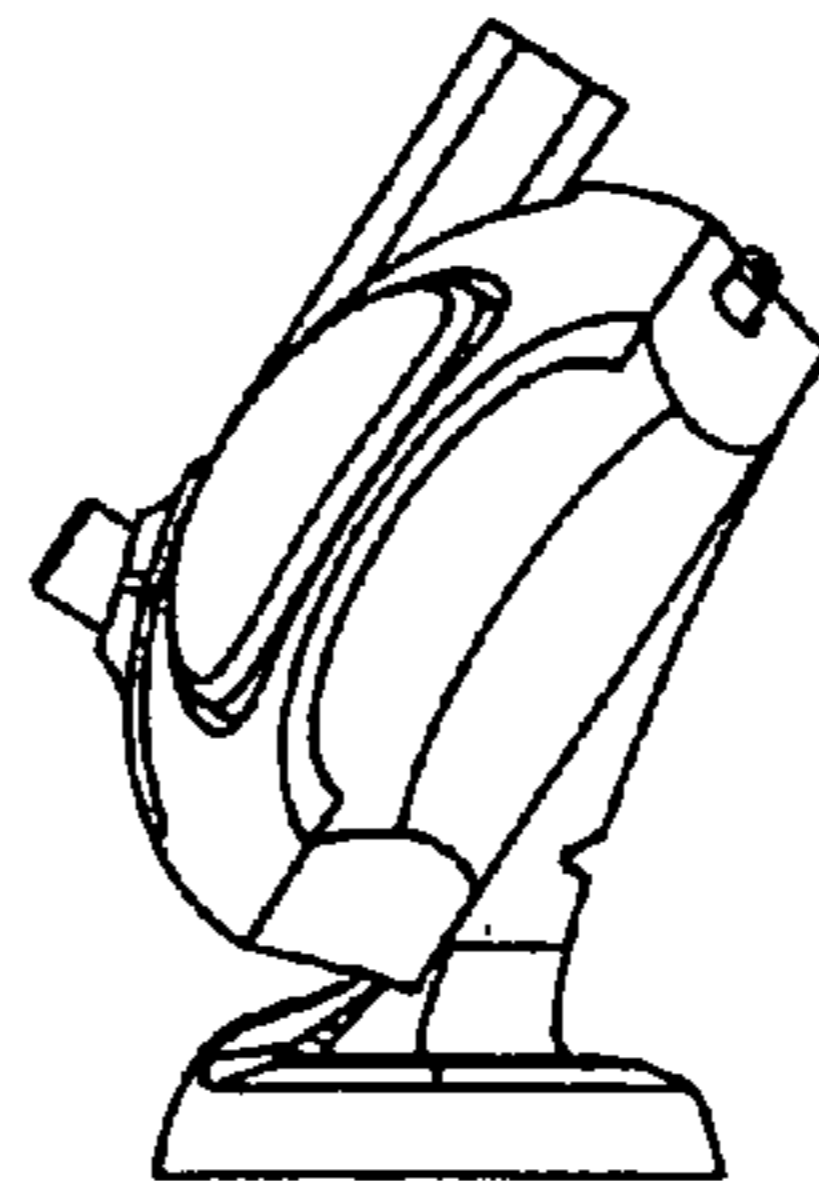


FIG. 5

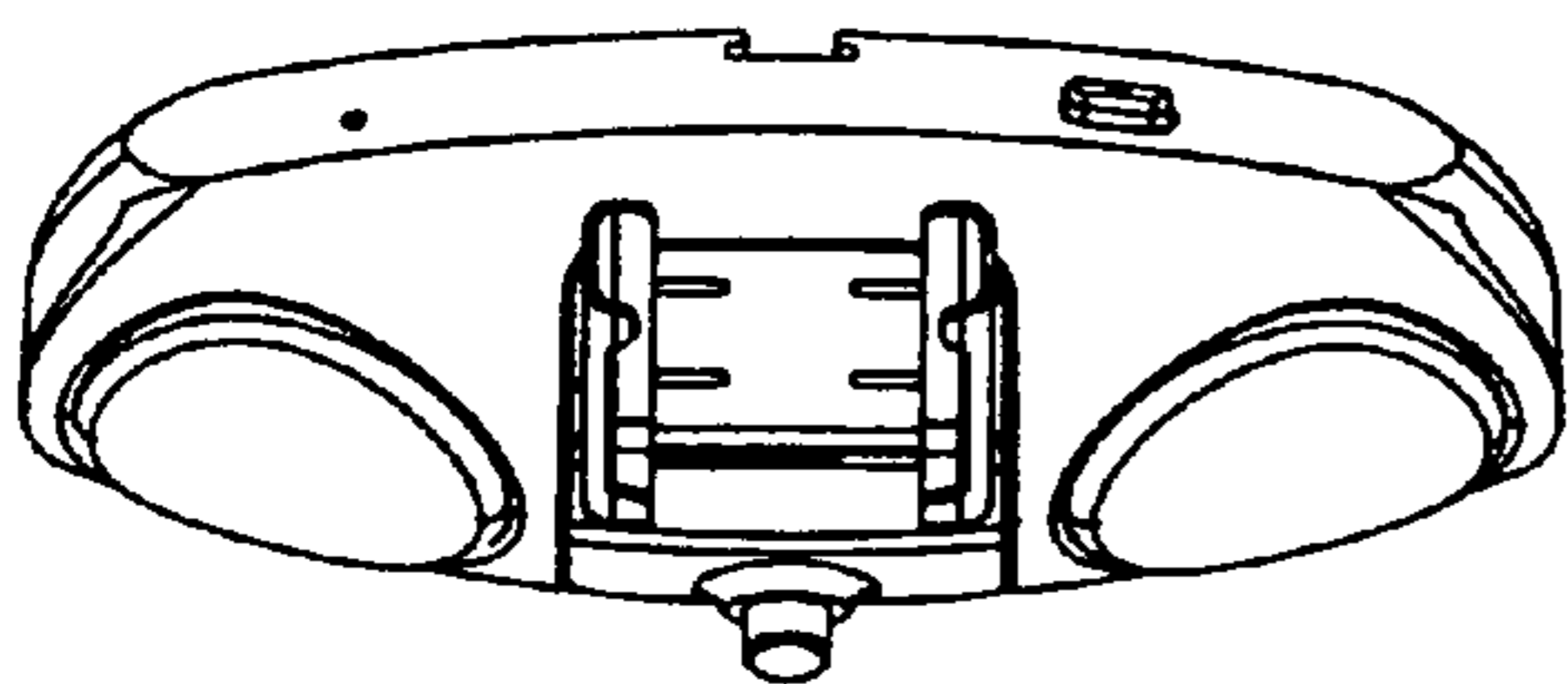


FIG. 6

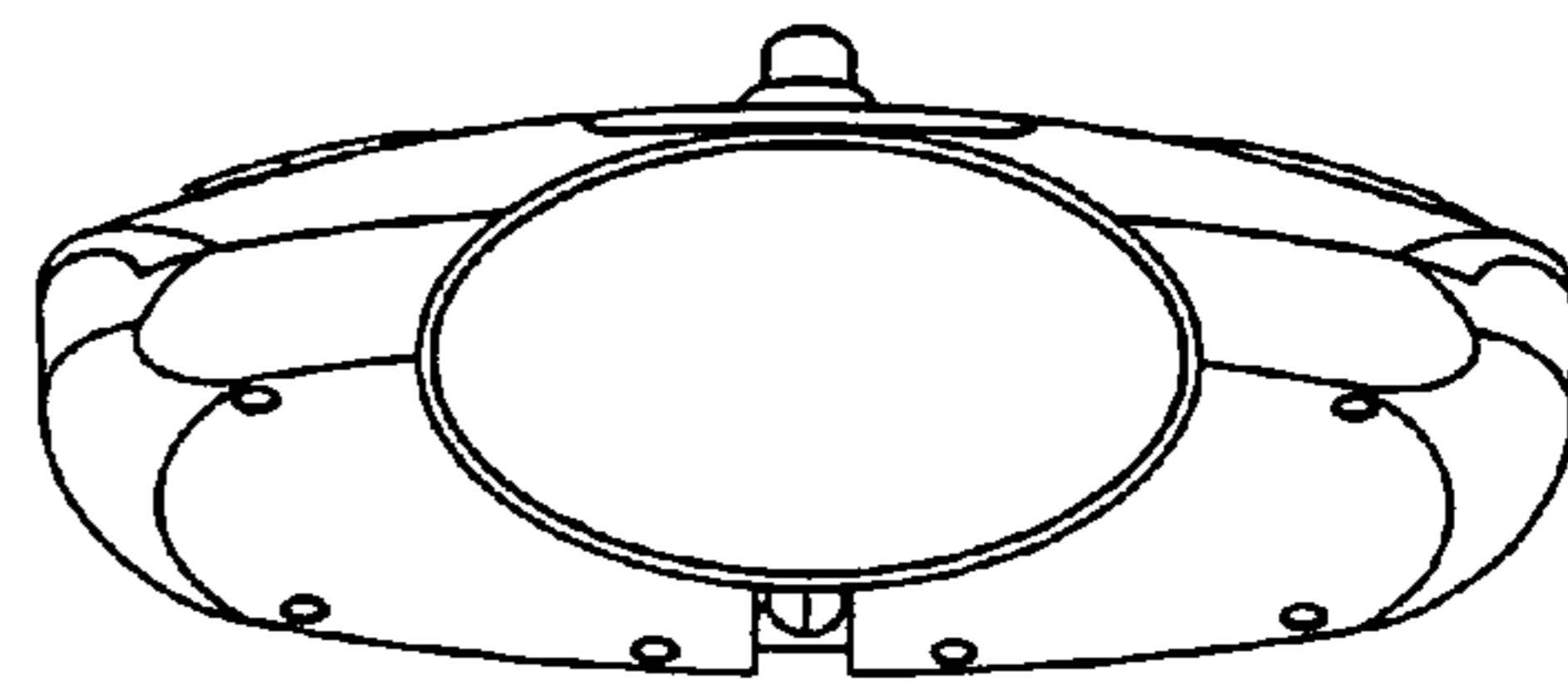


FIG. 7