



US00D624526S

(12) **United States Design Patent**  
**Jones et al.**

(10) **Patent No.:** **US D624,526 S**  
(45) **Date of Patent:** **\*\* Sep. 28, 2010**

(54) **MEDIA PLAYER**

(75) Inventors: **Gregory G. Jones**, Seattle, WA (US);  
**Sung Ho Son**, Redmond, WA (US);  
**Scott Andrew Dallmeyer**, San  
Francisco, CA (US); **Norio Fujikawa**,  
San Francisco, CA (US)

(73) Assignee: **Microsoft Corporation**, Redmond, WA  
(US)

(\*\*) Term: **14 Years**

(21) Appl. No.: **29/335,247**

(22) Filed: **Apr. 10, 2009**

(51) **LOC (9) Cl.** ..... **14-03**

(52) **U.S. Cl.** ..... **D14/203.1; D14/496**

(58) **Field of Classification Search** ..... D14/496,  
D14/401, 435, 474, 483, 217, 137, 138, 160,  
D14/168, 356, 341, 203.1-203.7, 507; 345/156,  
345/169, 173-179, 905; 715/727-729, 864;  
710/1, 5, 8; 713/1, 600; 455/1.1, 1.7, 73,  
455/344-347, 93, 95, 3.01-3.06, 550.1, 573.1;  
370/342-344; 369/1, 2, 6-12; 463/43-47;  
273/148 B

See application file for complete search history.

(56) **References Cited**

**U.S. PATENT DOCUMENTS**

5,825,408 A \* 10/1998 Yuyama et al. .... 348/14.01  
5,859,594 A \* 1/1999 King et al. .... 340/7.55  
D522,019 S \* 5/2006 Peng ..... D14/203.7  
D532,791 S \* 11/2006 Kim ..... D14/203.7

7,203,529 B2 \* 4/2007 Kim et al. .... 455/575.1  
D556,211 S \* 11/2007 Howard et al. .... D14/496  
D560,231 S \* 1/2008 Lee ..... D14/496  
D581,922 S \* 12/2008 Andre et al. .... D14/341  
D593,132 S \* 5/2009 Kim ..... D14/496  
D598,424 S \* 8/2009 Andre et al. .... D14/203.7  
D598,426 S \* 8/2009 Kim et al. .... D14/203.7  
D601,122 S \* 9/2009 Hibino et al. .... D14/203.7

\* cited by examiner

*Primary Examiner*—Prabhakar Deshmukh

(74) *Attorney, Agent, or Firm*—Banner & Witcoff, Ltd.

(57) **CLAIM**

The ornamental design for a media player, as shown and described.

**DESCRIPTION**

FIG. 1 is a front isometric view of a media player showing our new design;

FIG. 2 is a right side elevational view thereof;

FIG. 3 is a top elevational view thereof;

FIG. 4 is a bottom elevational view thereof;

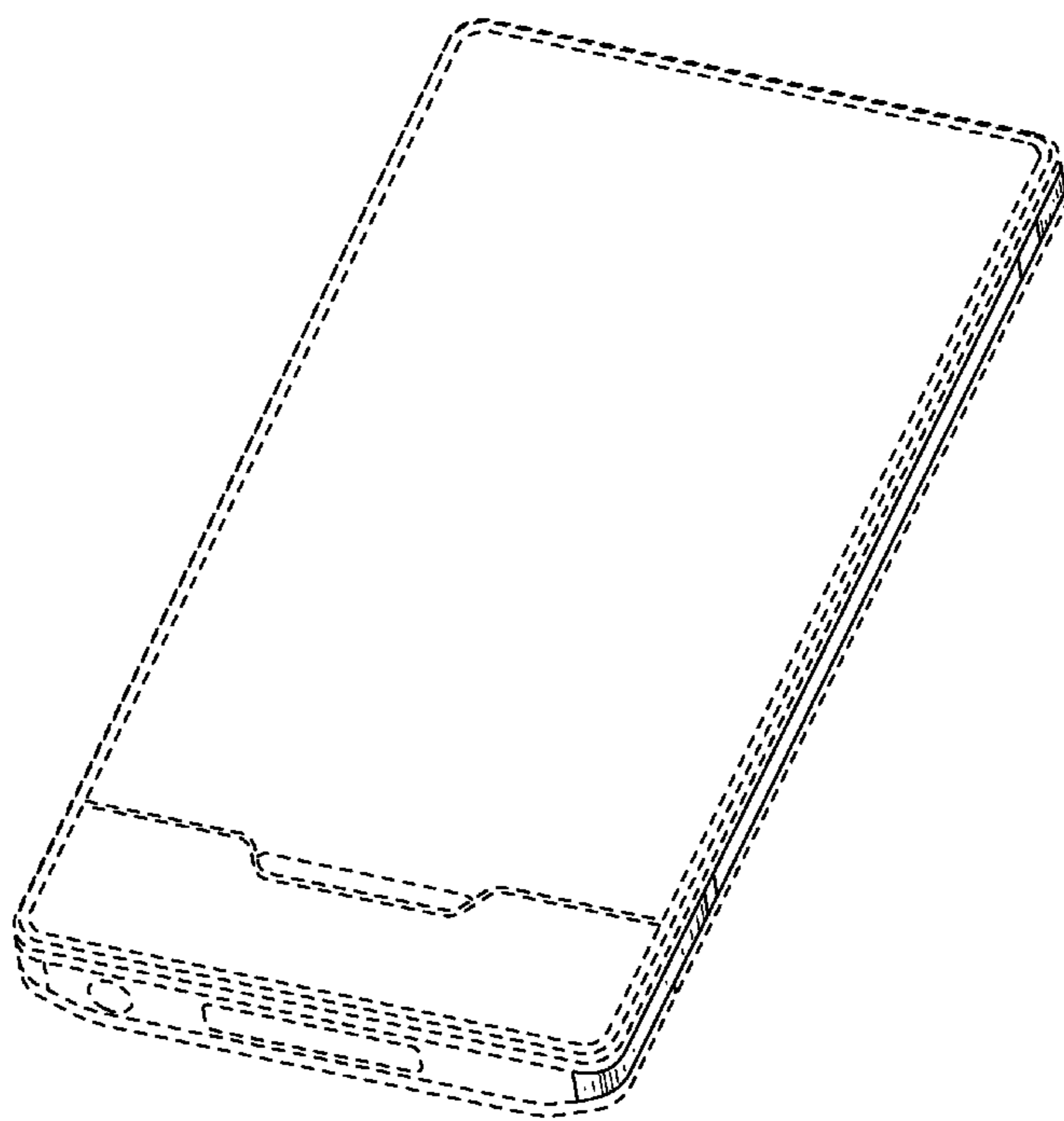
FIG. 5 is a front elevational view thereof;

FIG. 6 is a cross-sectional view through line 6—6 of FIG. 4; and,

FIG. 7 is a cross section through line 7—7 of FIG. 5.

The broken line showing of the remainder of the media player in FIGS. 1-7 is for environmental purposes only and forms no part of the claimed design.

**1 Claim, 6 Drawing Sheets**



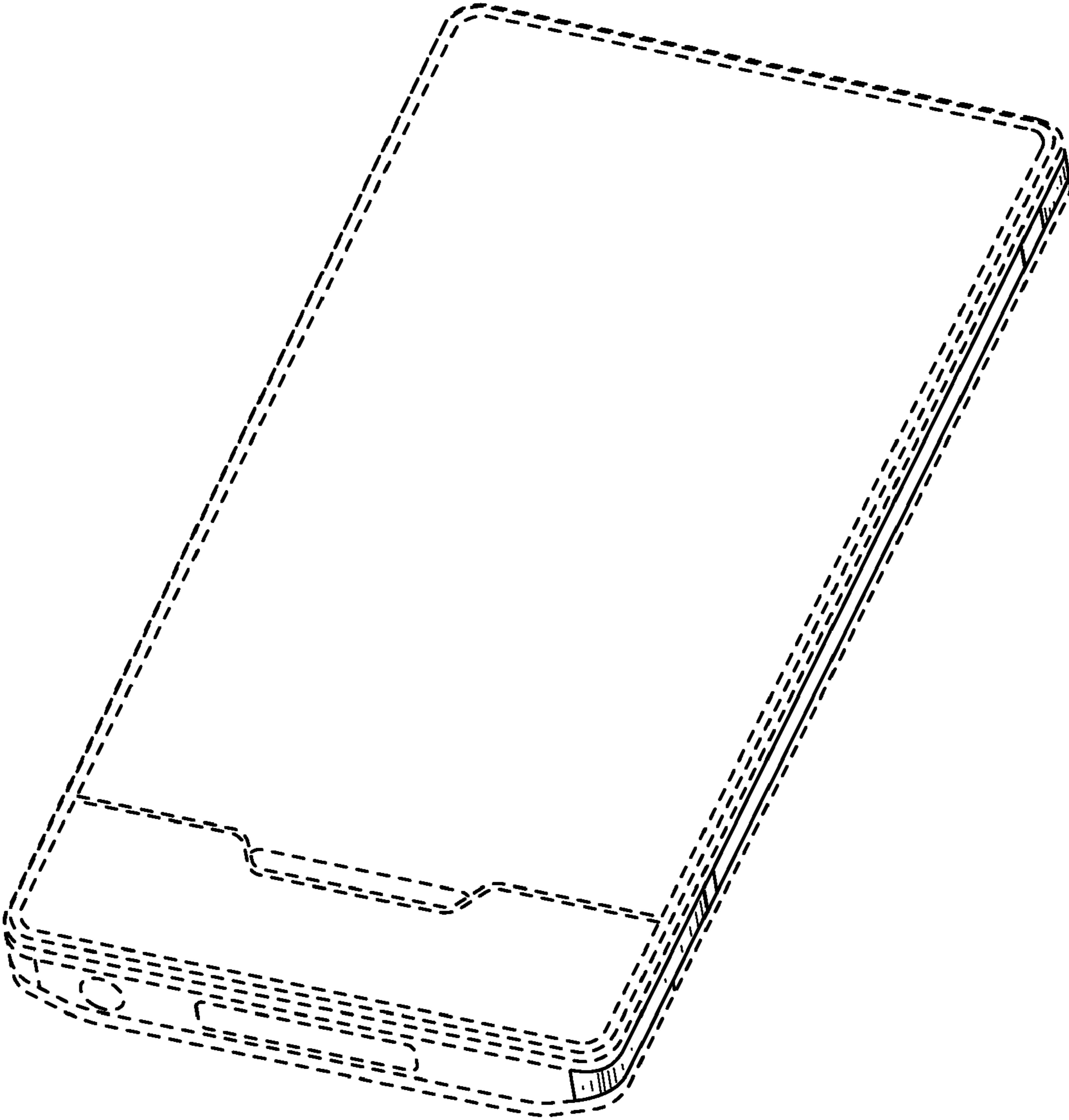


FIG. 1

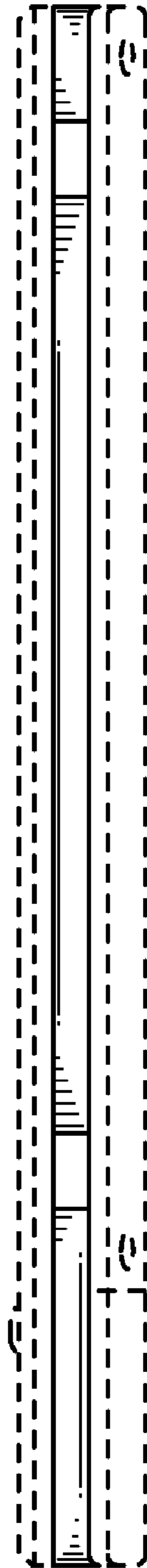


FIG. 2

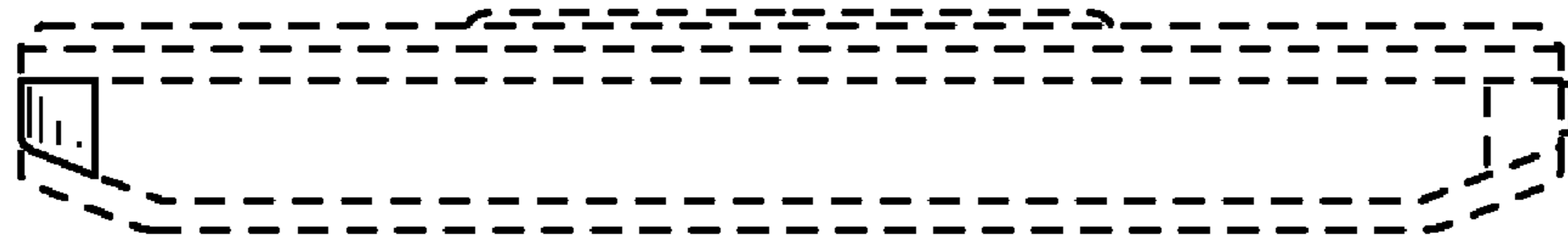


FIG. 3

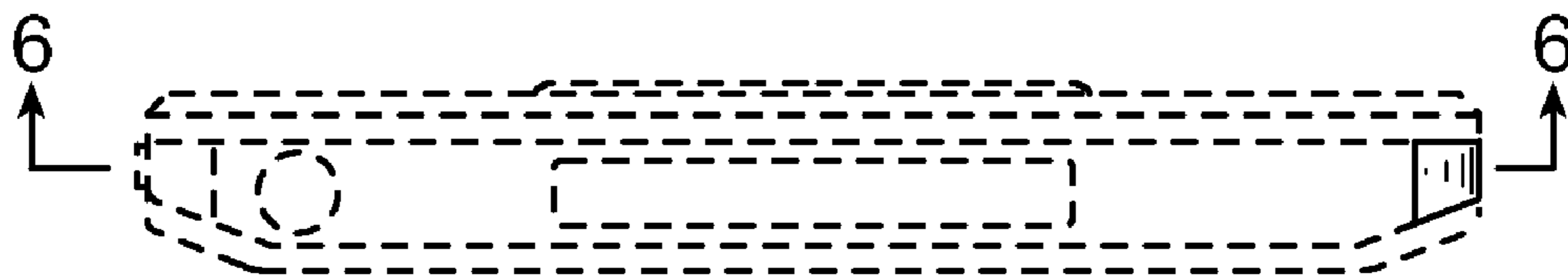


FIG. 4

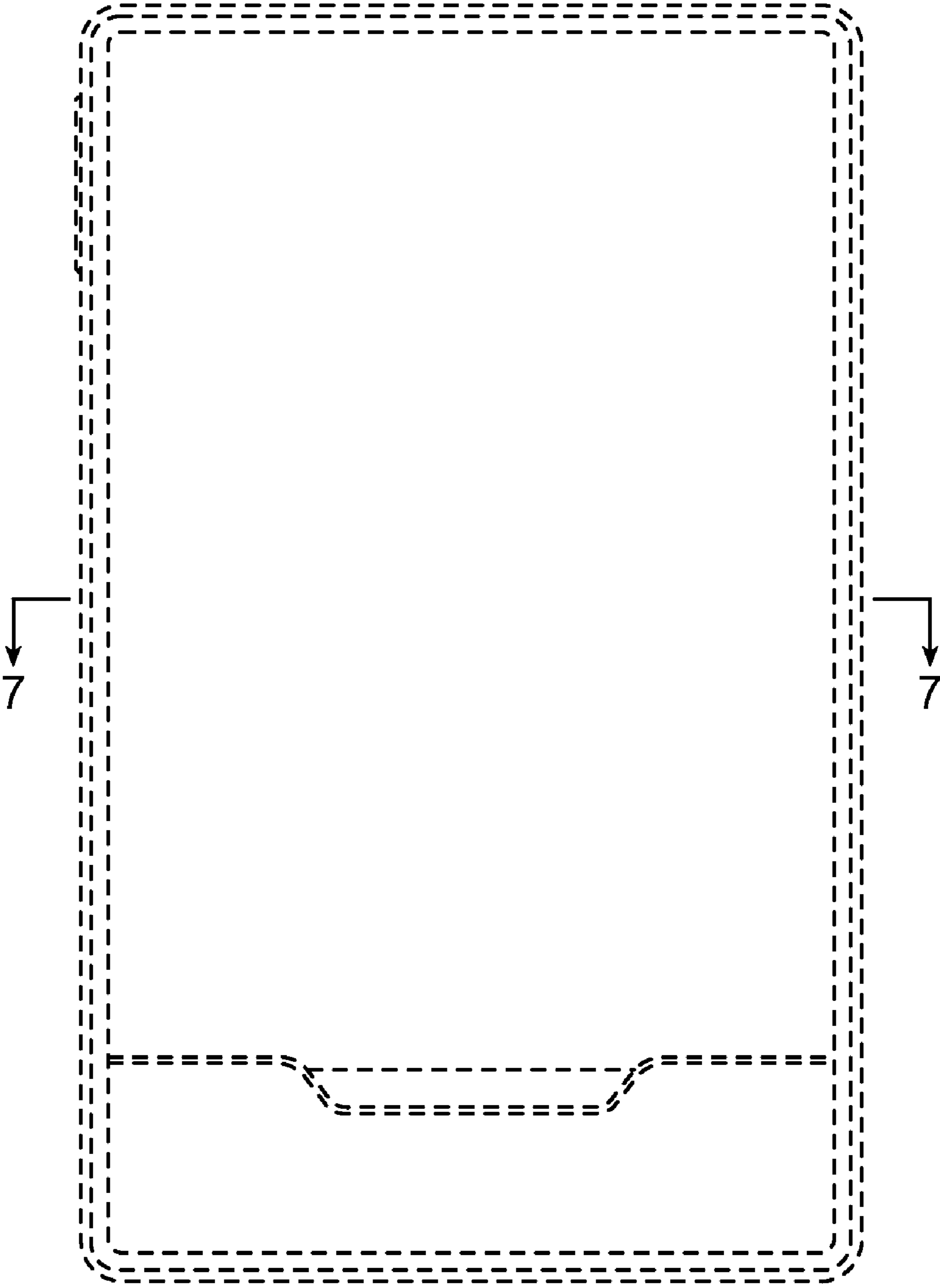


FIG. 5

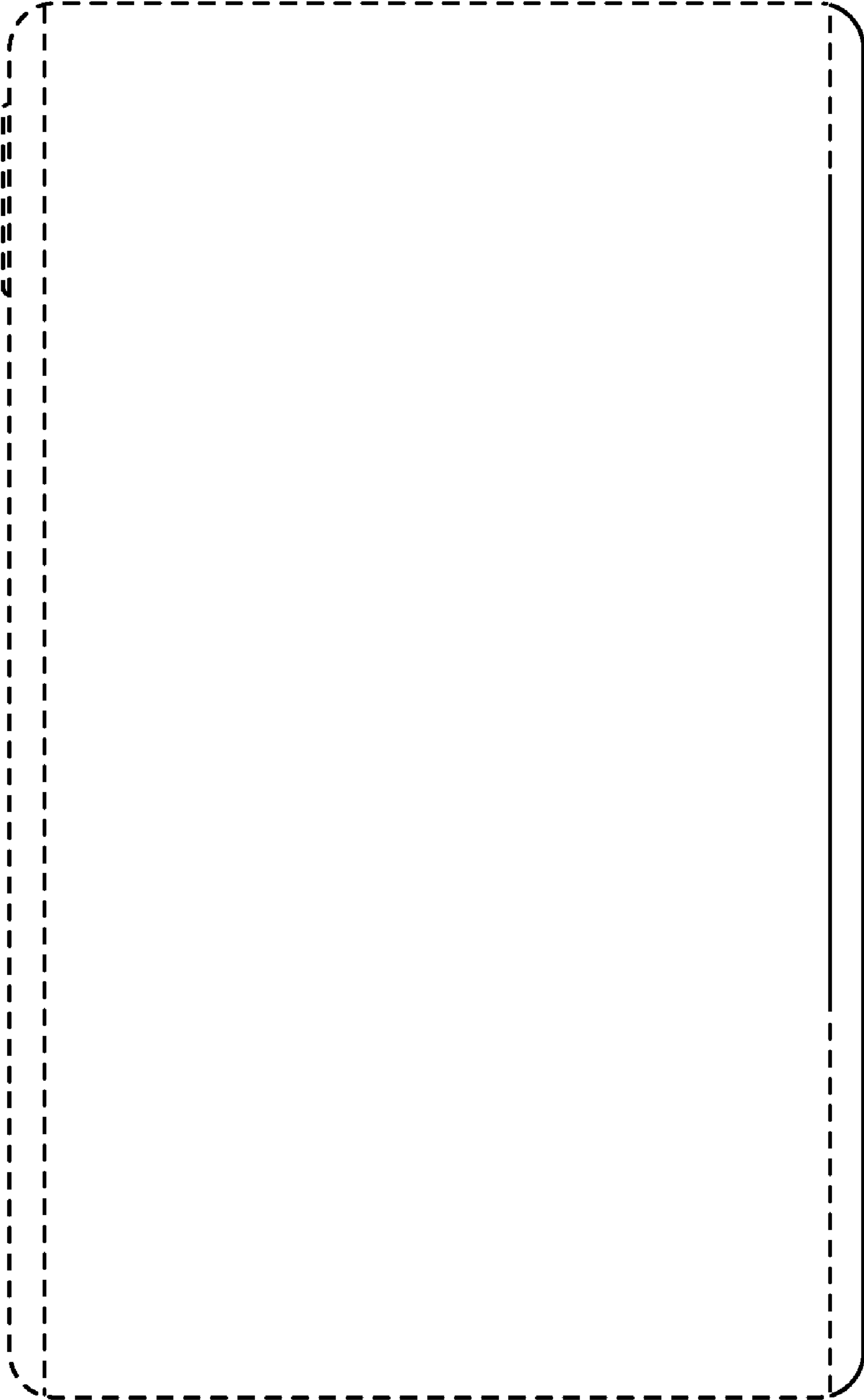


FIG. 6



FIG. 7