



US00D624525S

(12) **United States Design Patent**
Kim

(10) **Patent No.:** **US D624,525 S**
(45) **Date of Patent:** **** Sep. 28, 2010**

(54) **AUDIO**
(75) Inventor: **Tae Ho Kim**, Seoul (KR)
(73) Assignee: **LG Electronics Inc.**, Seoul (KR)
(**) Term: **14 Years**
(21) Appl. No.: **29/353,807**
(22) Filed: **Jan. 14, 2010**

(30) **Foreign Application Priority Data**
Jul. 27, 2009 (KR) 30-2009-0033401

(51) **LOC (9) Cl.** **14-01**
(52) **U.S. Cl.** **D14/168**
(58) **Field of Classification Search** D14/496,
D14/498-510, 167-168, 188, 214; 360/99.02,
360/99.07; 369/75.11, 75.21, 77.11, 77.21;
720/601, 612, 619, 649, 655; 455/344, 347-351
See application file for complete search history.

(56) **References Cited**
U.S. PATENT DOCUMENTS

5,146,618 A * 9/1992 Wenner 455/345
D350,960 S * 9/1994 Sakata et al. D14/168

D430,136 S * 8/2000 Hattori et al. D14/168
D430,863 S * 9/2000 Sumii et al. D14/168
D468,718 S * 1/2003 Cuvelier D14/168
D542,264 S * 5/2007 Amid-Hozour D14/168

* cited by examiner

Primary Examiner—Nanda Bondade
(74) *Attorney, Agent, or Firm*—Birch, Stewart, Kolasch & Birch, LLP

(57) **CLAIM**

The ornamental design for an audio, as shown and described.

DESCRIPTION

FIG. 1 is a top, front, perspective view of an audio showing my new design;
FIG. 2 is a front view thereof;
FIG. 3 is a rear view thereof;
FIG. 4 is a left side view thereof;
FIG. 5 is a right side view thereof;
FIG. 6 is a top plan view thereof; and,
FIG. 7 is a bottom plan view thereof.

1 Claim, 4 Drawing Sheets

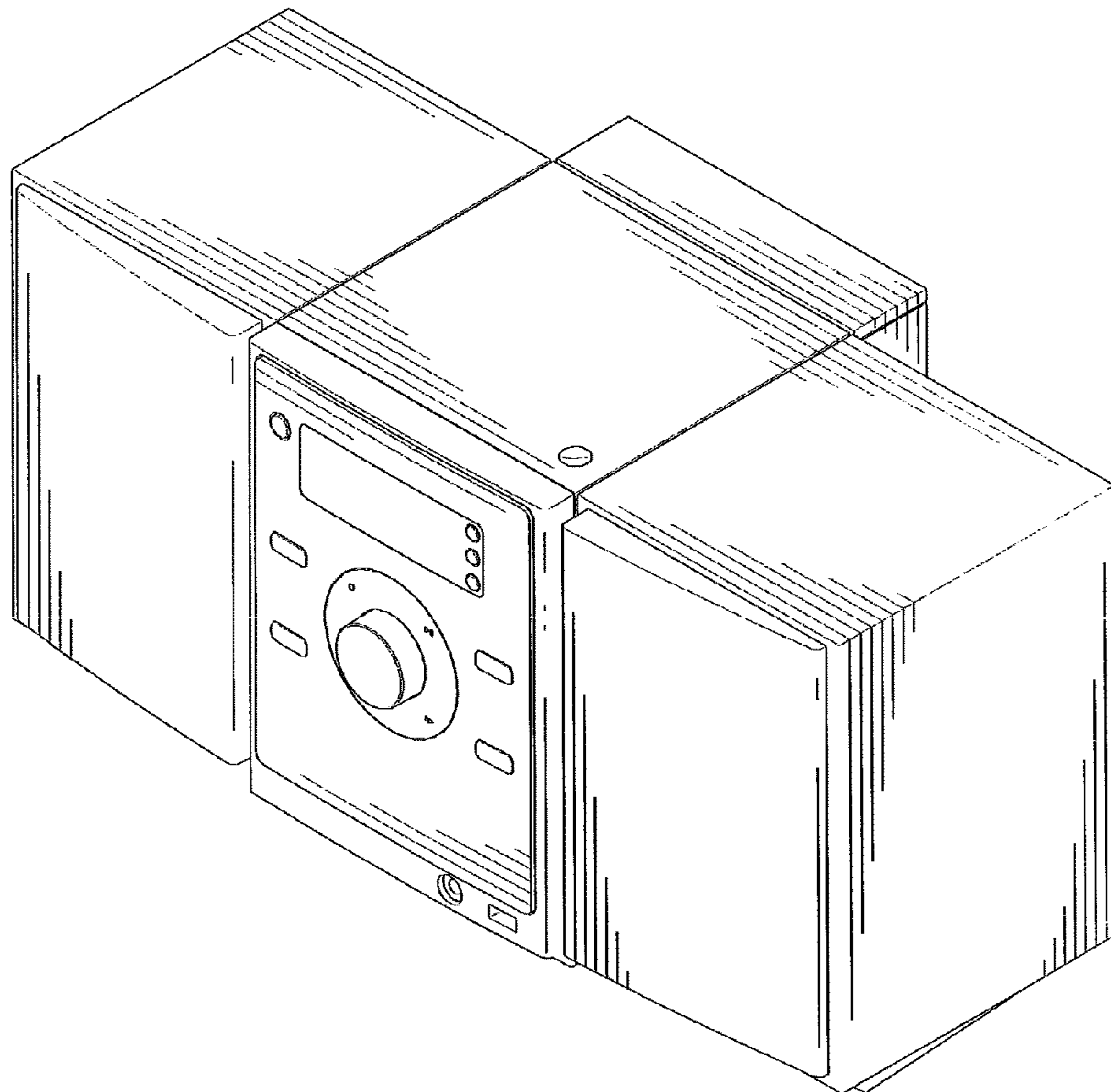


FIG. 1

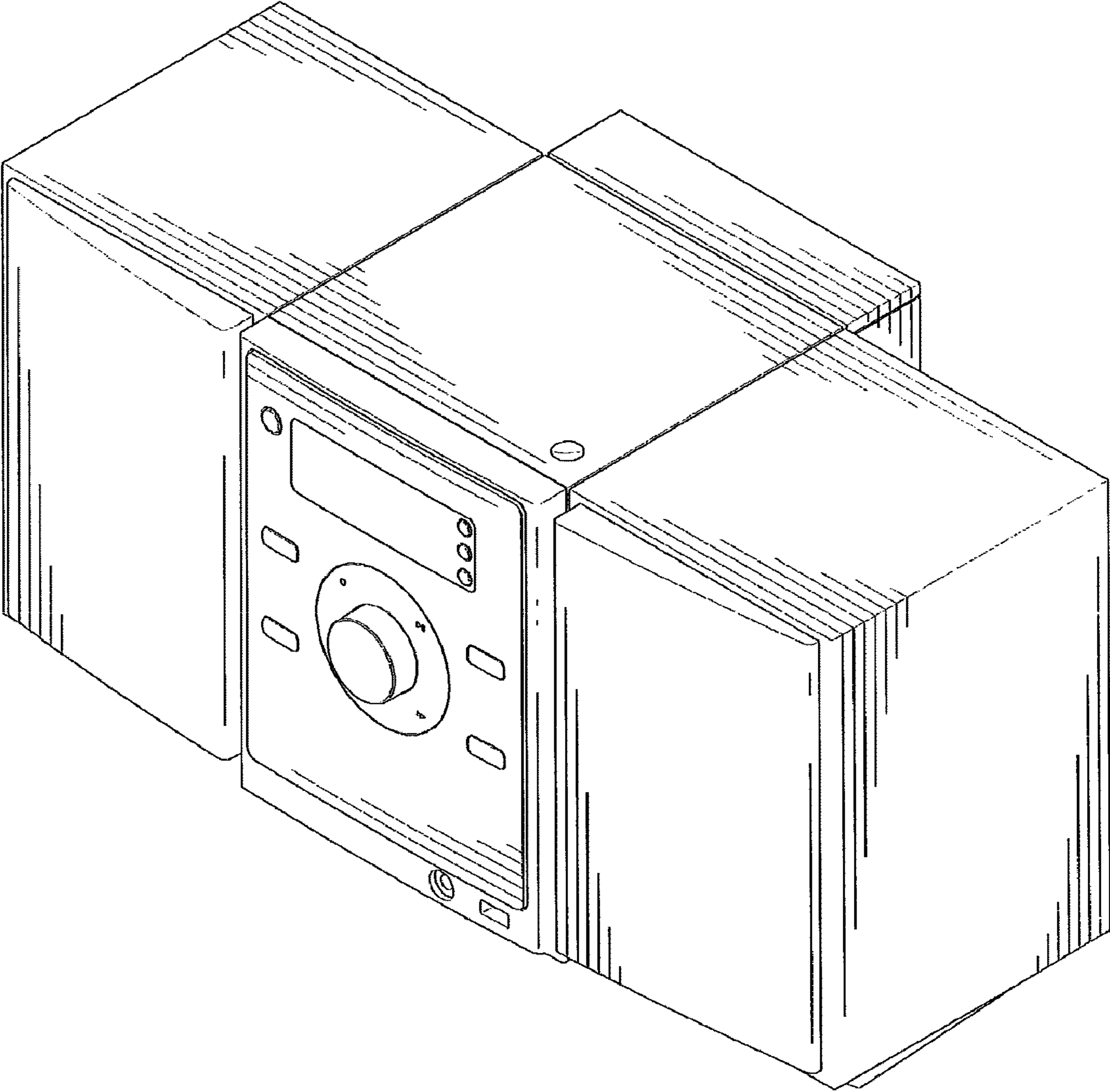


FIG. 2

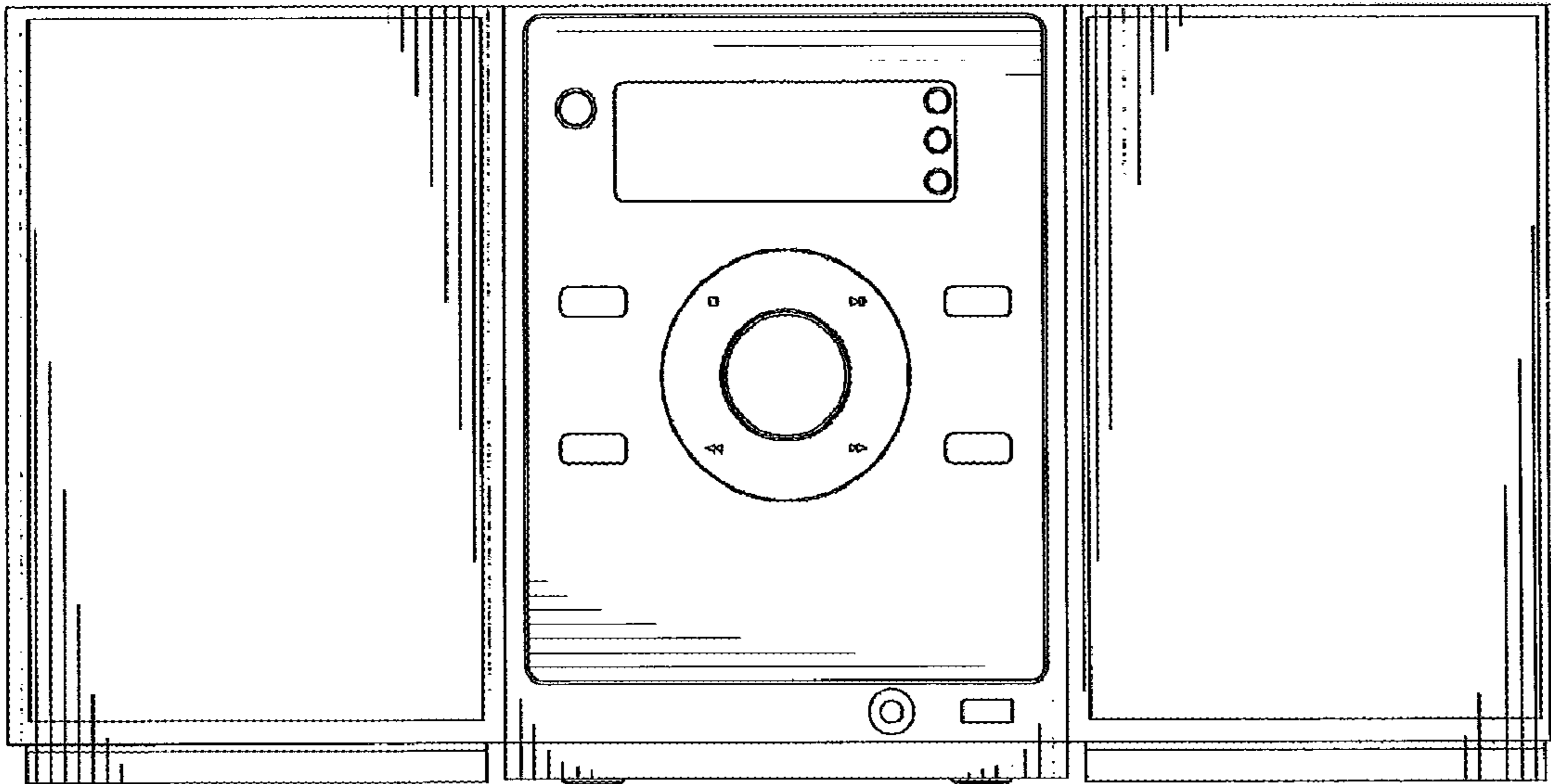


FIG. 3

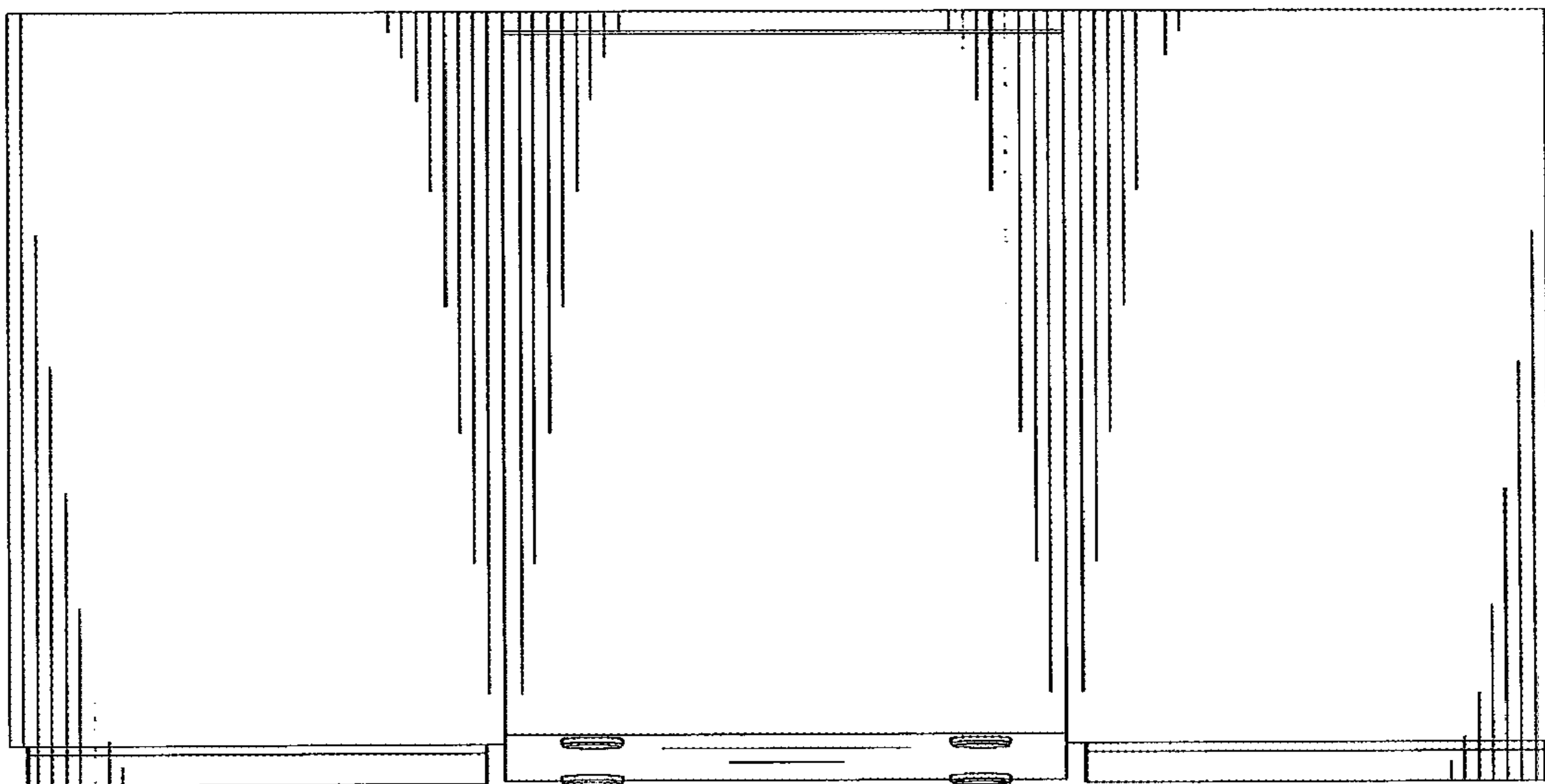


FIG. 4

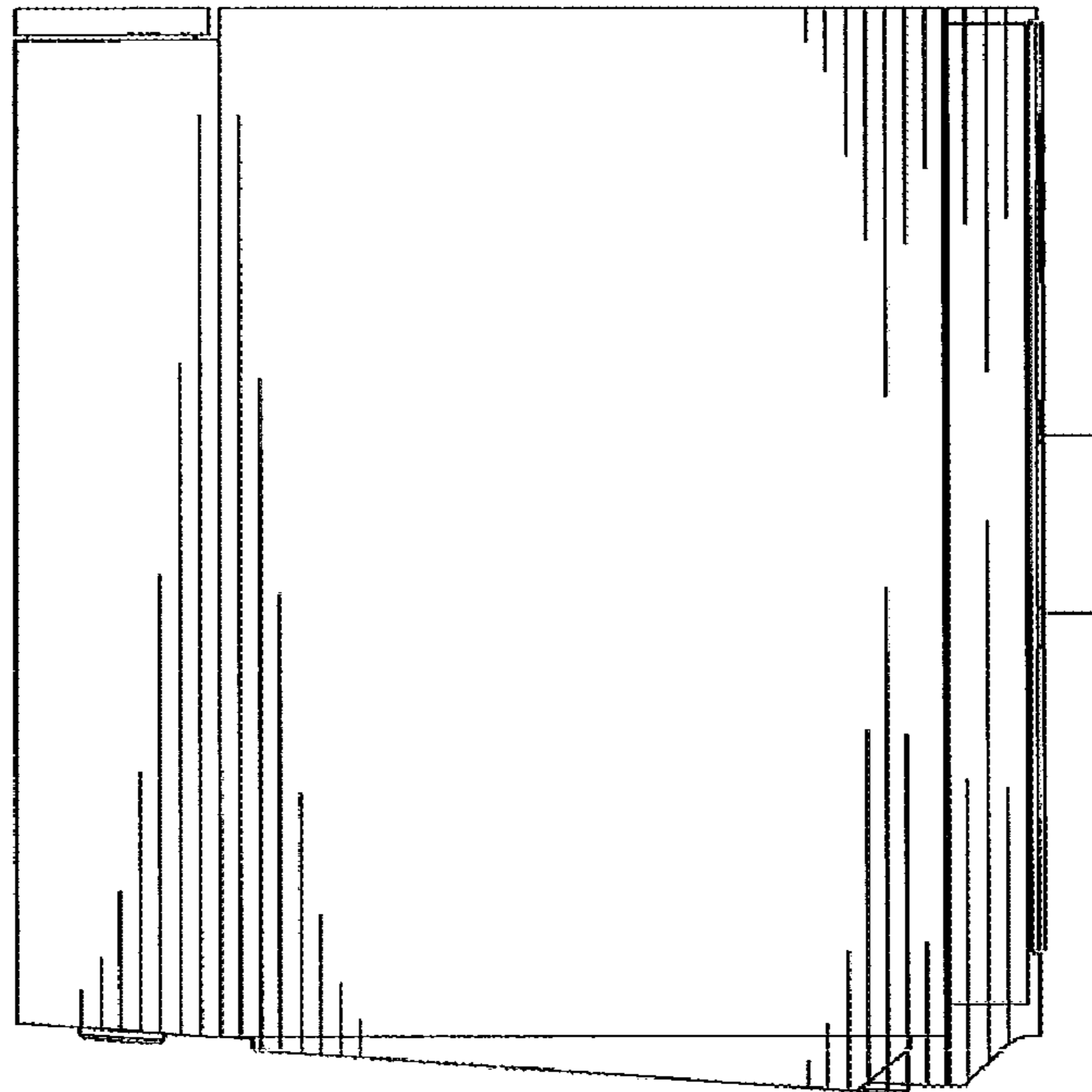


FIG. 5

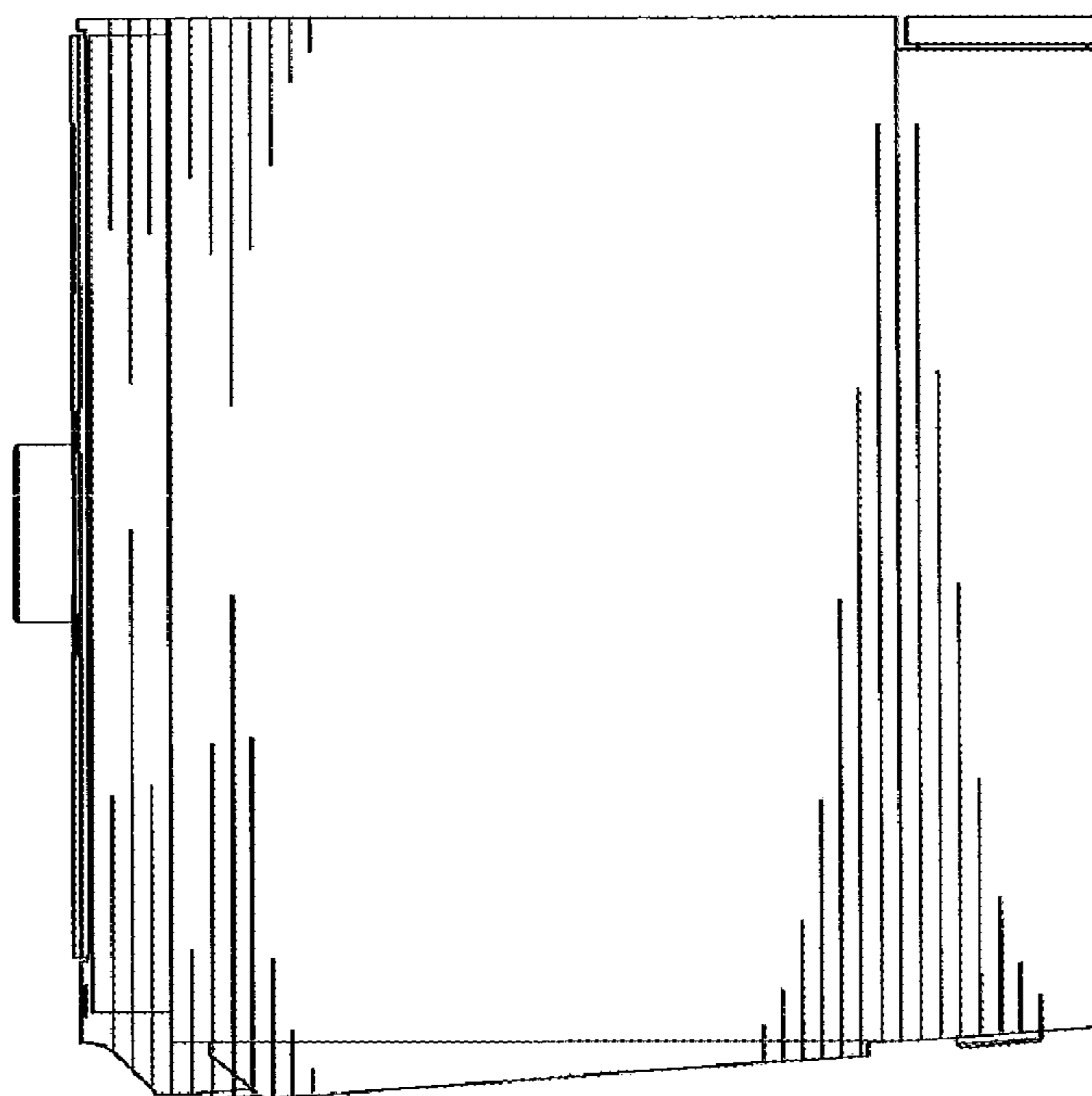


FIG. 6

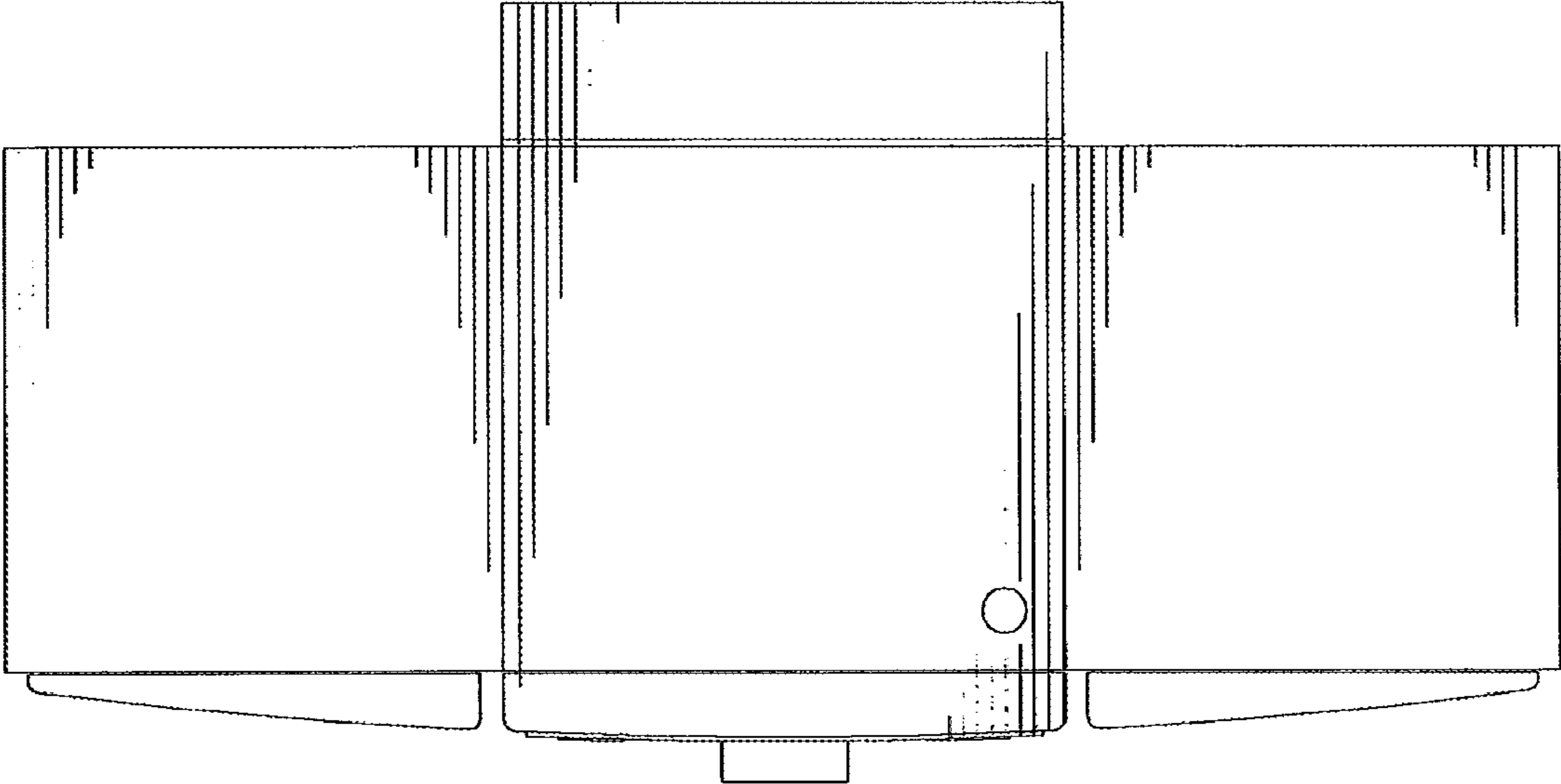


FIG. 7

