



US00D624523S

(12) **United States Design Patent**  
**Takahata et al.**

(10) **Patent No.:** **US D624,523 S**

(45) **Date of Patent:** **\*\* Sep. 28, 2010**

(54) **INTERPHONE**

(75) Inventors: **Koutarou Takahata**, Nagoya (JP);  
**Katsuhiko Ibuki**, Nagoya (JP)

(73) Assignee: **Aiphone Co., Ltd.**, Nagoya-Shi (JP)

(\*\*) Term: **14 Years**

(21) Appl. No.: **29/351,487**

(22) Filed: **Dec. 7, 2009**

(30) **Foreign Application Priority Data**

Sep. 29, 2009 (JP) ..... 2009-022583

(51) **LOC (9) Cl.** ..... **14-03**

(52) **U.S. Cl.** ..... **D14/159**

(58) **Field of Classification Search** ..... D14/130,  
D14/140, 140.1, 140.8, 141.1, 141.3, 142,  
D14/149-151, 158-159, 168, 171-172, 188,  
D14/211, 214, 225-226, 240, 243, 251, 253,  
D14/299, 336, 215, 167, 210, 212, 138 R,  
D14/141.2, 144, 194, 147, 329; 379/387.01,  
379/388.02, 420.02, 447, 453, 434, 102.06;  
381/16; D13/107-108; D21/329, 331, 333,  
D21/517; D10/104, 106

See application file for complete search history.

(56) **References Cited**

**U.S. PATENT DOCUMENTS**

D107,538 S *	12/1937	McCann	.....	D14/142
D210,026 S *	1/1968	Kahn	.....	D14/159
D258,283 S *	2/1981	Stoddard	.....	D14/151
D279,471 S *	7/1985	Nakashima	.....	D14/159
D280,403 S *	9/1985	Mitchell	.....	D14/147
D285,557 S *	9/1986	Bocko	.....	D14/151
D285,681 S *	9/1986	Nakashima	.....	D14/159
D290,604 S *	6/1987	Offredi	.....	D14/151
D295,623 S *	5/1988	Gilberton	.....	D14/151
D313,595 S *	1/1991	Morooka	.....	D14/159
D319,439 S *	8/1991	Danielson et al.	.....	D14/141.1
D332,100 S *	12/1992	Blattner et al.	.....	D14/257
D350,131 S *	8/1994	Keung	.....	D14/151
D361,999 S *	9/1995	Roegner	.....	D14/149
5,475,741 A *	12/1995	Davis et al.	.....	379/102.06
D369,600 S *	5/1996	Zeitman	.....	D14/144

D399,203 S *	10/1998	Renk, Jr.	.....	D14/159
D489,353 S *	5/2004	Right et al.	.....	D14/172
D491,551 S *	6/2004	Matsui et al.	.....	D14/159
D513,199 S *	12/2005	Costa et al.	.....	D10/106
D525,963 S *	8/2006	Yukikado et al.	.....	D14/159
D554,103 S *	10/2007	Morikawa et al.	.....	D14/159
D575,764 S *	8/2008	Nakashima	.....	D14/159
D591,261 S *	4/2009	Holger	.....	D14/142
D595,260 S *	6/2009	Takahata	.....	D14/159

**OTHER PUBLICATIONS**

JK Series: Hands-free Color Video with PanTilt & Zoom, <URL:http://www.buyaiphoneonline.com/orderinfo.asp>, retrieved from internet Mar. 13, 2010.\*

KCS-1ARD: Video Sentry Color Tilt System Set, <URL:http://www.buyaiphoneonline.com/orderinfo.asp>, retrieved from internet Mar. 13, 2010.\*

TD-H/B Audio: Selective Call Intercom System, <URL:http://www.buyaiphoneonline.com/orderinfo.asp>, retrieved from internet Mar. 13, 2010.\*

\* cited by examiner

*Primary Examiner*—Robert M Spear

*Assistant Examiner*—Carla Jobe Wright

(74) *Attorney, Agent, or Firm*—Burr & Brown

(57) **CLAIM**

The ornamental design for an interphone, as shown and described.

**DESCRIPTION**

FIG. 1 is front perspective view of an interphone illustrating our new design;

FIG. 2 a front elevational view thereof;

FIG. 3 is a rear elevational view thereof;

FIG. 4 is a right side elevational view thereof;

FIG. 5 is a left side elevational view thereof;

FIG. 6 is a top plan view thereof; and,

FIG. 7 is a bottom plan view thereof.

The broken lines in the drawings represent unclaimed subject matter.

**1 Claim, 5 Drawing Sheets**

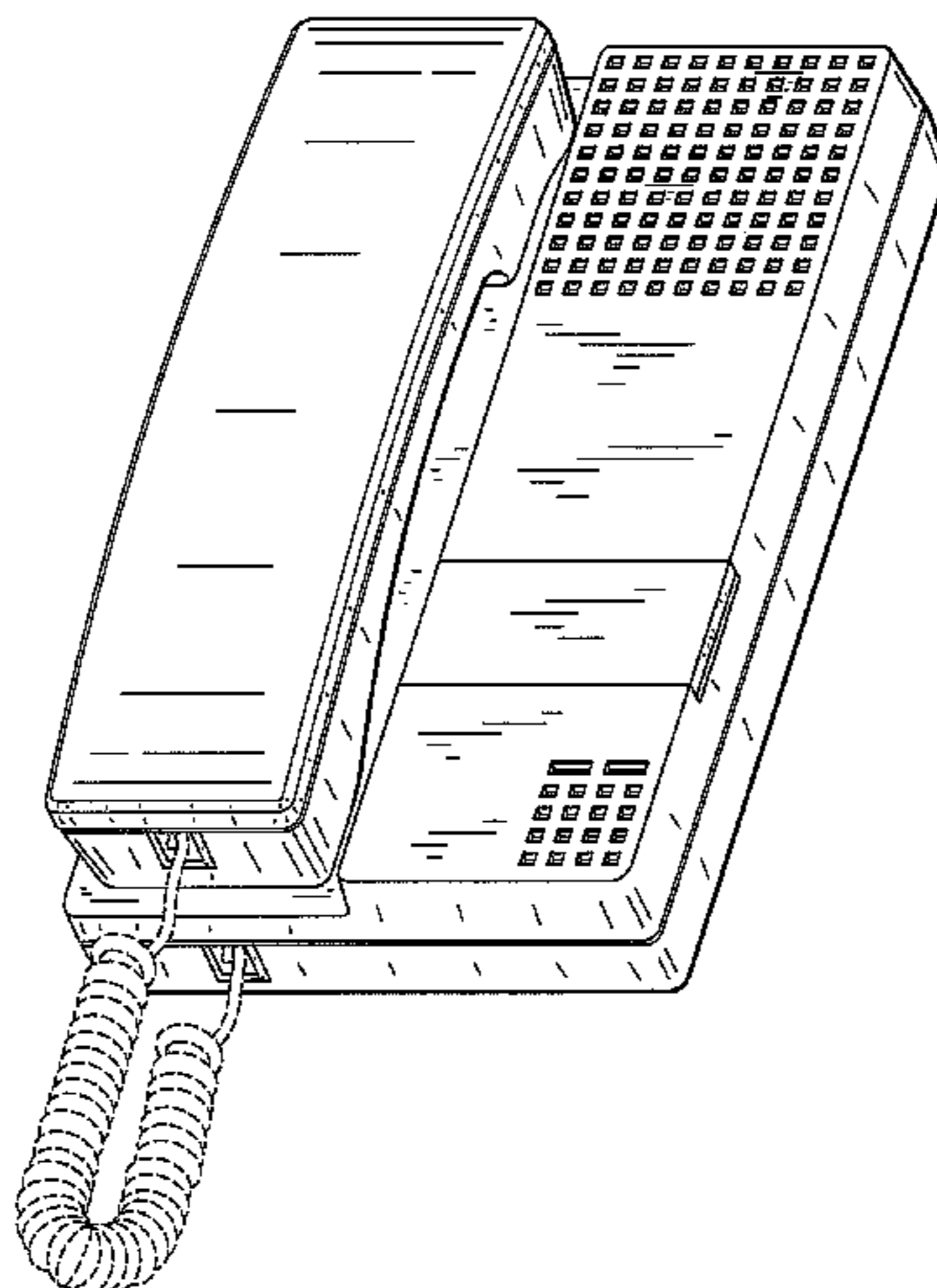


FIG. 1

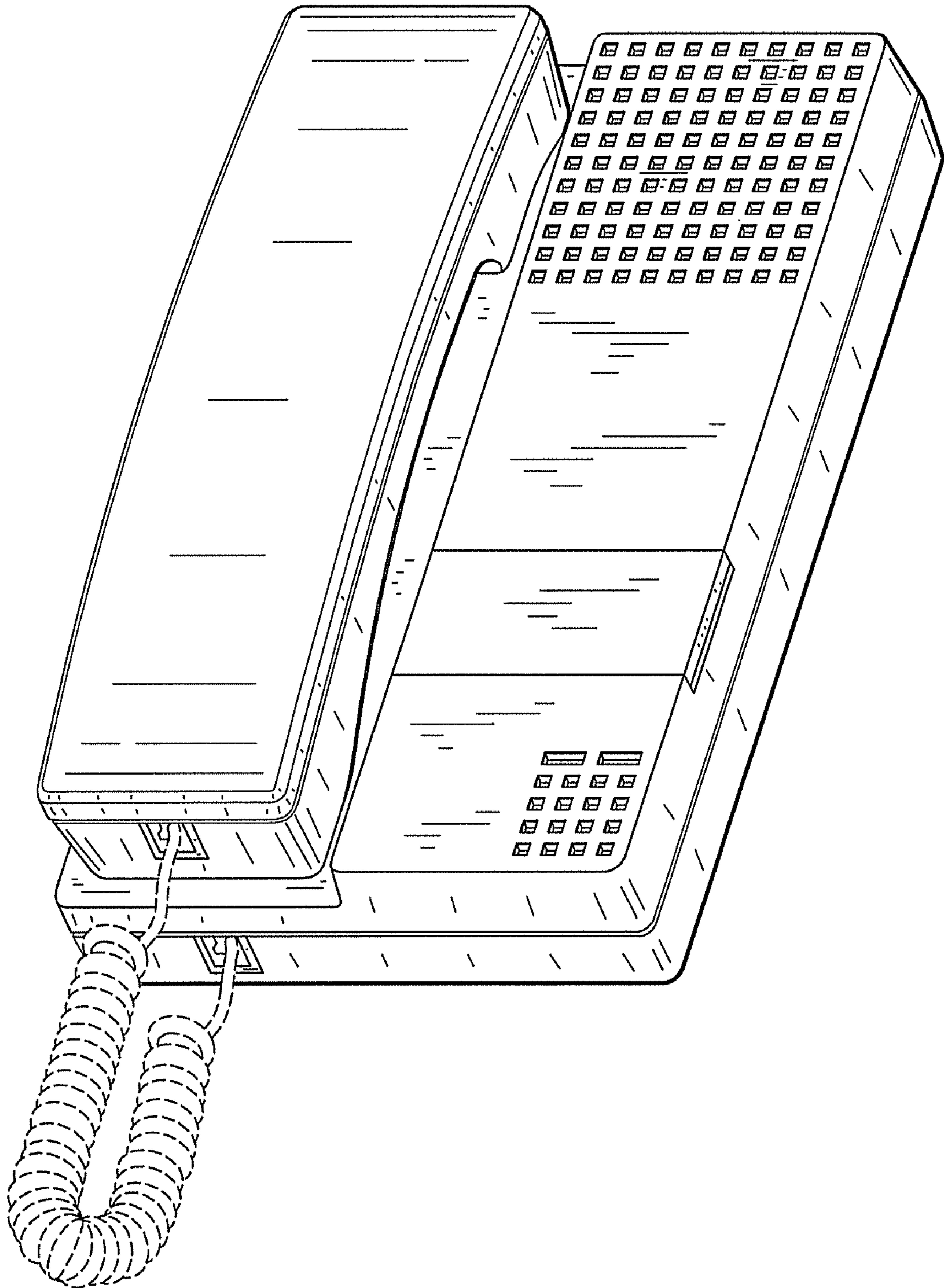


FIG. 2

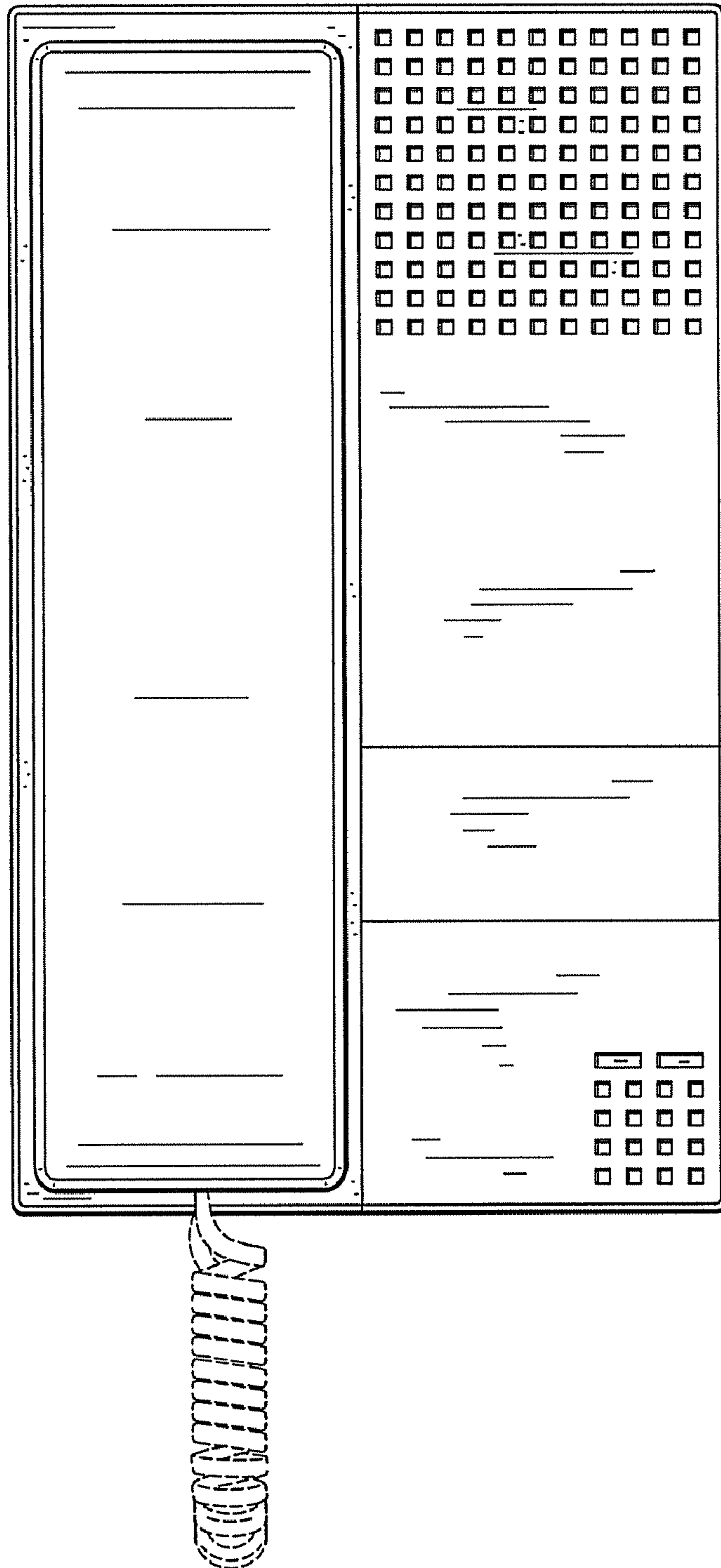


FIG. 3

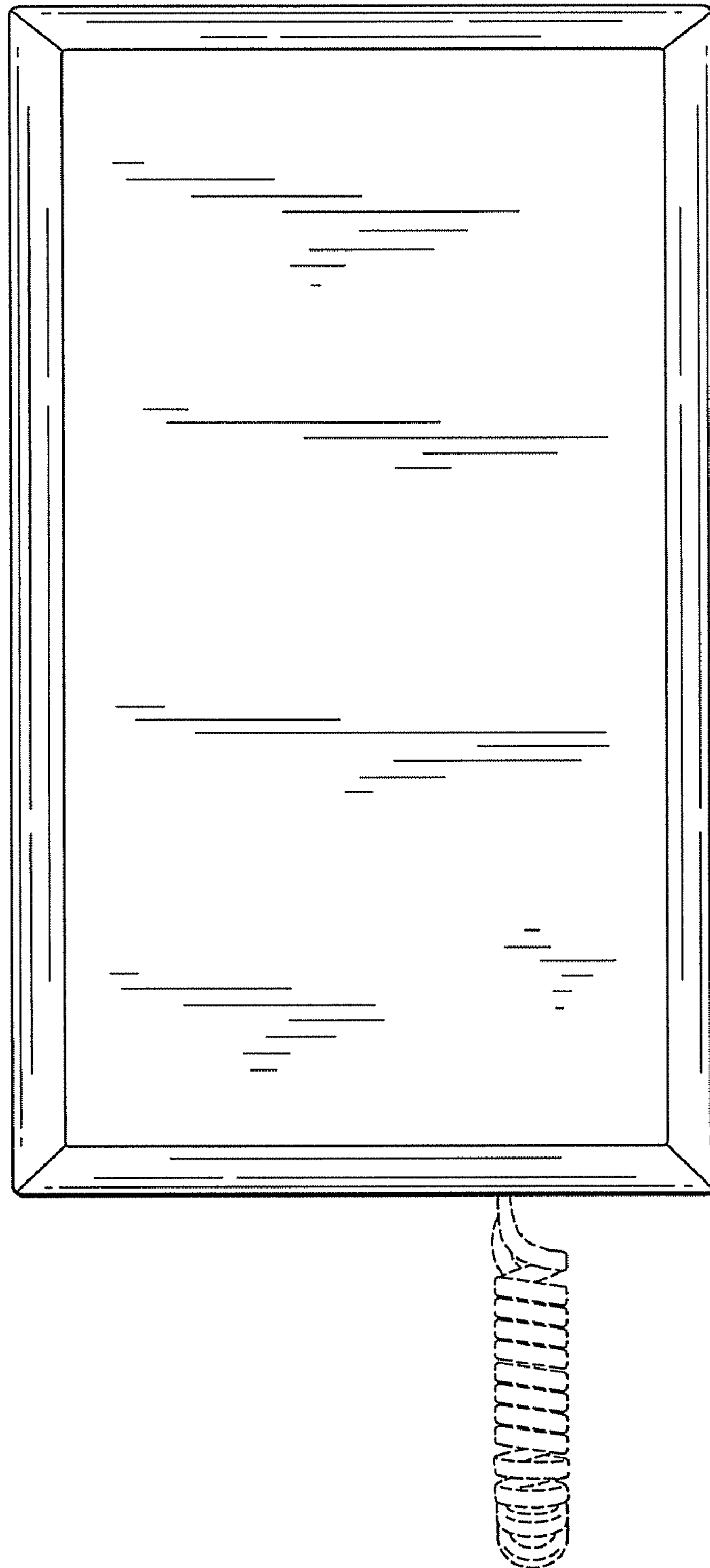




FIG. 4

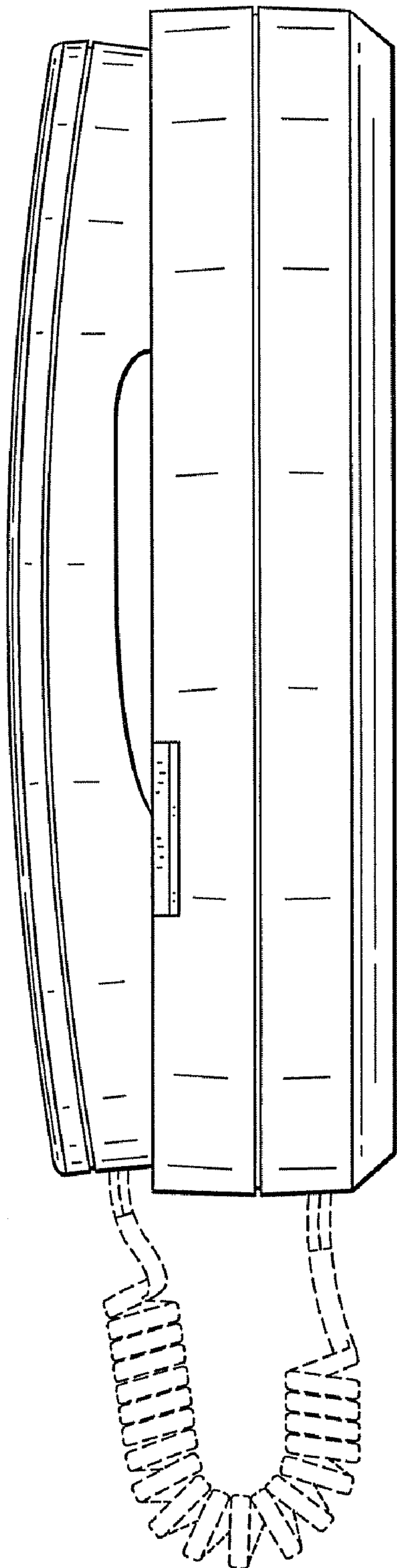


FIG. 5

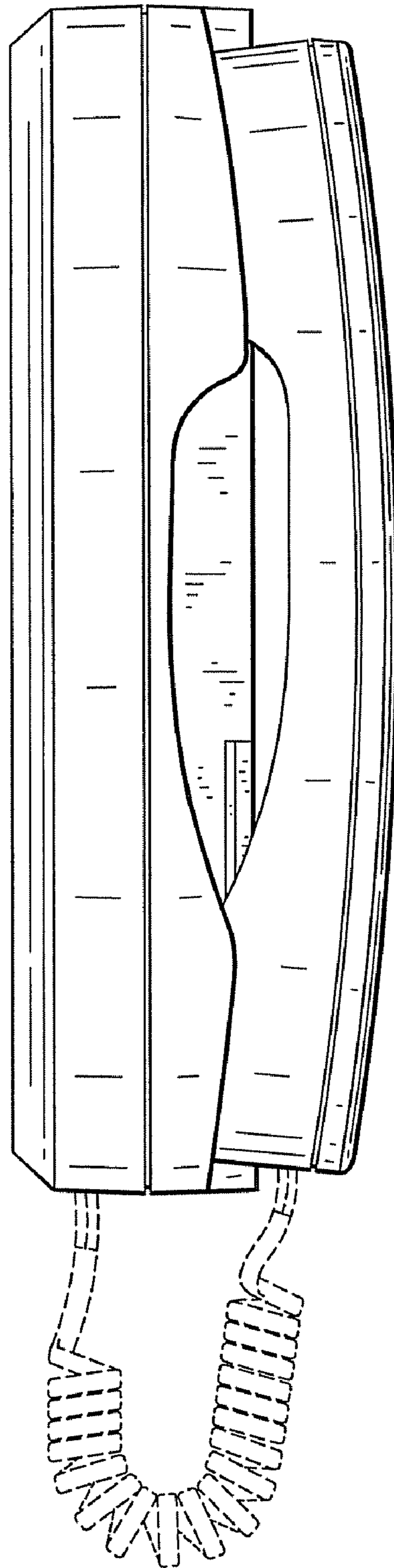


FIG. 6

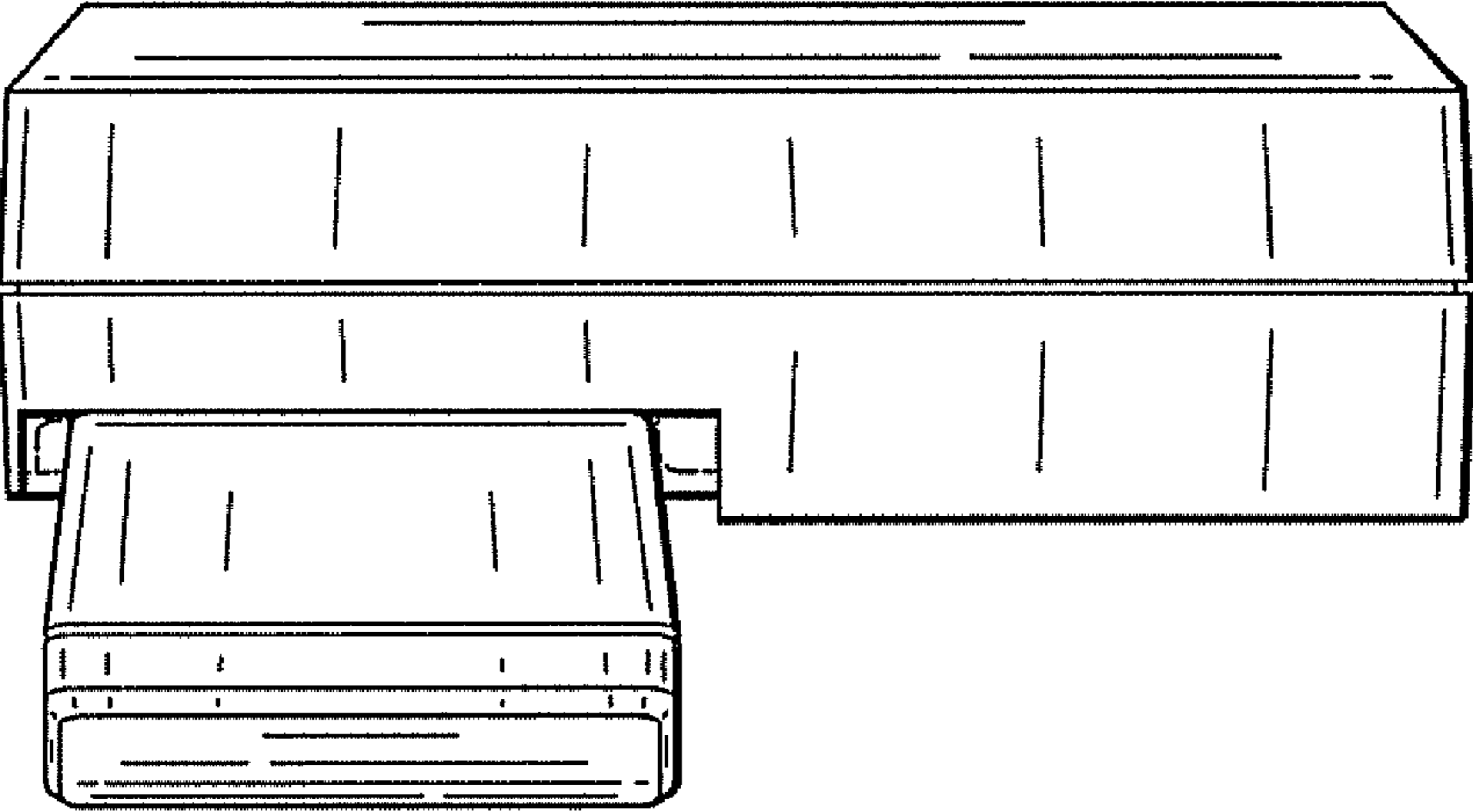


FIG. 7

