



US00D624518S

(12) **United States Design Patent**  
**Li**

(10) **Patent No.:** **US D624,518 S**  
(45) **Date of Patent:** **\*\* Sep. 28, 2010**

(54) **MOBILE PHONE**

(75) Inventor: **Jian-Hui Li**, Shenzhen (CN)

(73) Assignee: **FIH (Hong Kong) Limited**, Kowloon (HK)

(\*\*) Term: **14 Years**

(21) Appl. No.: **29/355,323**

(22) Filed: **Feb. 5, 2010**

(30) **Foreign Application Priority Data**

Jan. 9, 2010 (CN) ..... 201030300592

(51) **LOC (9) Cl.** ..... **14-03**

(52) **U.S. Cl.** ..... **D14/138 AD; D14/138 AB; D14/138 R**

(58) **Field of Classification Search** ..... D14/138 R, D14/138 AD, 138 AC, 138 C, 138 G, 191, D14/203.1-203.8, 496, 138 AA, 138 AB, D14/247-248, 137, 147, 218, 341-347; D10/65, D10/78, 104; D13/168; D18/7; 455/566, 455/575.1, 575.3

See application file for complete search history.

(56) **References Cited**

**U.S. PATENT DOCUMENTS**

D284,660 S \* 7/1986 Montague et al. .... D14/144

(Continued)

**FOREIGN PATENT DOCUMENTS**

DM /061922 \* 11/2002

**OTHER PUBLICATIONS**

Telit t420, announced 1st quarter 2005, [online], [retrieved on Jun. 17, 2010]. Retrieved from Internet, <URL: <http://www.gsmarena.com>>.\*

(Continued)

*Primary Examiner*—Bridget L Eland

(74) *Attorney, Agent, or Firm*—Steven M. Reiss

(57) **CLAIM**

The ornamental design for a mobile phone, as shown and described.

**DESCRIPTION**

FIG. 1 is a perspective view of a mobile phone showing my new design in a closed position;

FIG. 2 is a front elevational view of the new design in the closed position;

FIG. 3 is a rear elevational view of the new design in the closed position;

FIG. 4 is a left side elevational view of the new design in the closed position;

FIG. 5 is a right side elevational view of the new design in the closed position;

FIG. 6 is a top plan view of the new design in the closed position;

FIG. 7 is a bottom plan view of the new design in the closed position;

FIG. 8 is a perspective view of the mobile phone of FIG. 1 in an open position;

FIG. 9 is a front elevational view of the new design in the open position;

FIG. 10 is a rear elevational view of the new design in the open position;

FIG. 11 is a left side elevational view of the new design in the open position;

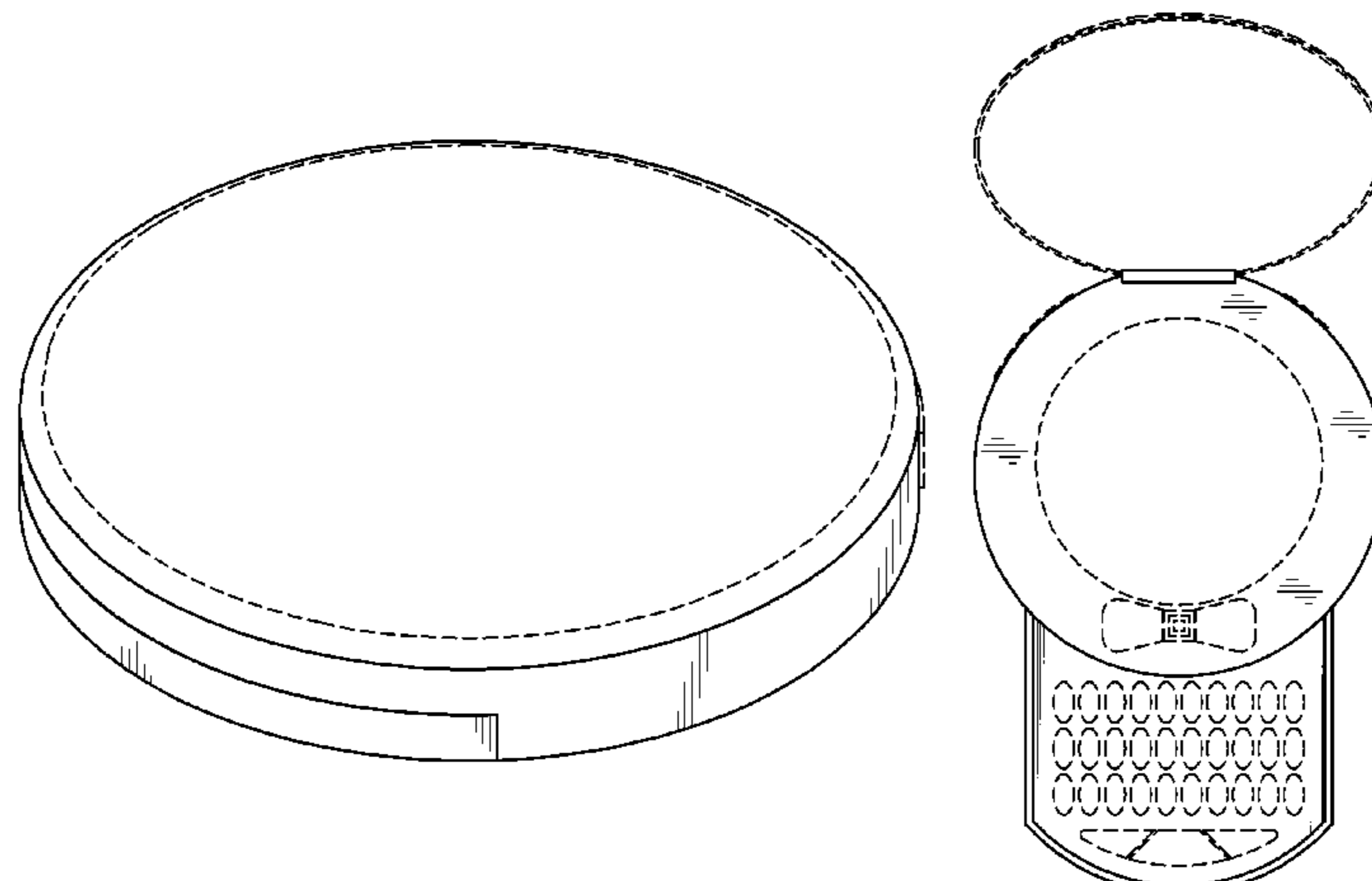
FIG. 12 is a right side elevational view of the new design in the open position;

FIG. 13 is a top plan view of the new design in the open position; and,

FIG. 14 is a bottom plan view of the new design in the open position.

The broken lines immediately adjacent the claimed areas represent the bounds of the claimed design while all other broken lines are directed to environment and are for illustrative purposes only; the broken lines form no part of the claimed design.

**1 Claim, 14 Drawing Sheets**



# US D624,518 S

Page 2

## U.S. PATENT DOCUMENTS

5,398,706	A *	3/1995	Epstein .....	132/314	D523,177	S *	6/2006	Ashiwa et al. ....	D28/82
D358,149	S *	5/1995	Fellinger .....	D14/138 AB	7,146,184	B1 *	12/2006	Tsitsiashvili .....	455/550.1
D368,987	S *	4/1996	Boucheron .....	D28/78	D566,095	S *	4/2008	Davis .....	D14/144
D371,126	S *	6/1996	Bro .....	D14/138 AB	D597,514	S *	8/2009	Gencarella et al. ...	D14/138 AC
D371,793	S *	7/1996	Patton .....	D14/218	D602,915	S *	10/2009	Song et al. ....	D14/218
5,878,353	A *	3/1999	ul Azam et al. ....	455/566	D612,352	S *	3/2010	Zhou et al. ....	D14/138 AB
D407,985	S *	4/1999	Pimentel .....	D10/104	D616,851	S *	6/2010	Roka .....	D14/138 AD
D432,267	S *	10/2000	Wardlaw .....	D28/78	2006/0211384	A1 *	9/2006	Kayzar et al. ....	455/90.3
6,233,469	B1 *	5/2001	Watanabe .....	455/575.1					
D470,627	S *	2/2003	Kuo .....	D28/77					
D473,345	S *	4/2003	Thorpe .....	D28/82					
D488,142	S *	4/2004	Wang et al. ....	D14/138 AB					
D496,917	S *	10/2004	Brandis .....	D14/138 AB					
D518,030	S *	3/2006	Lin .....	D14/218					

## OTHER PUBLICATIONS

Panasonic G70, announced 4th quarter 2003, [online], [retrieved on Jun. 17, 2010] . Retrieved from Internet ,<URL: <http://www.gsmarena.com>>.\*

\* cited by examiner

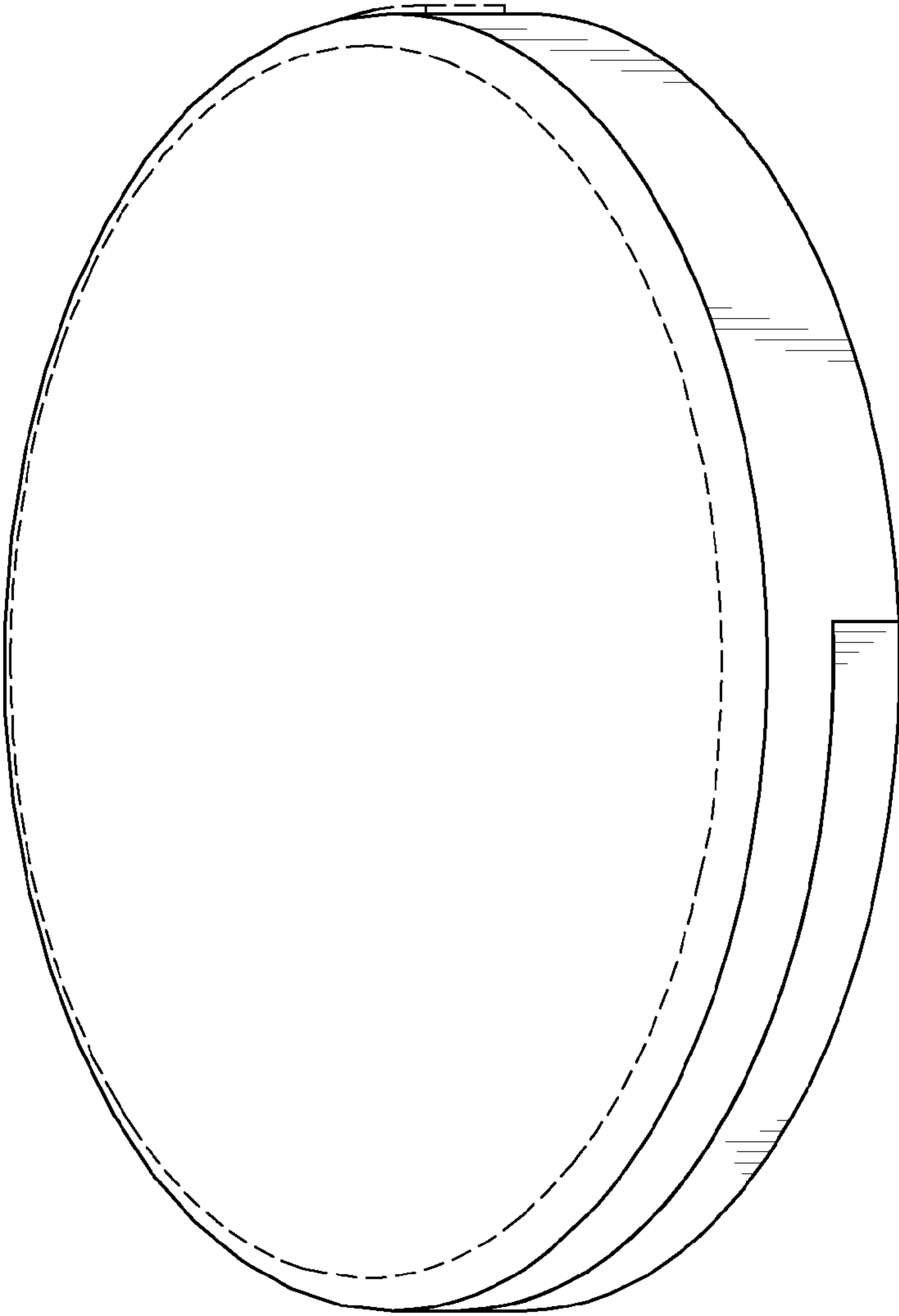


FIG. 1

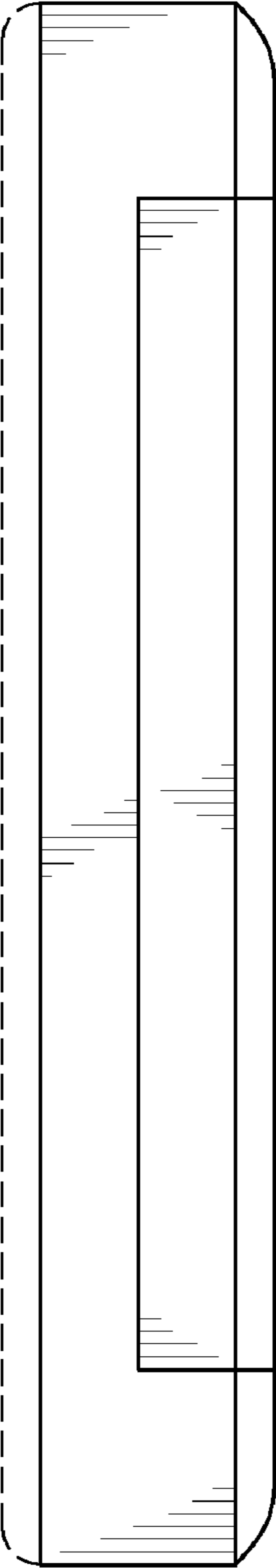


FIG. 2

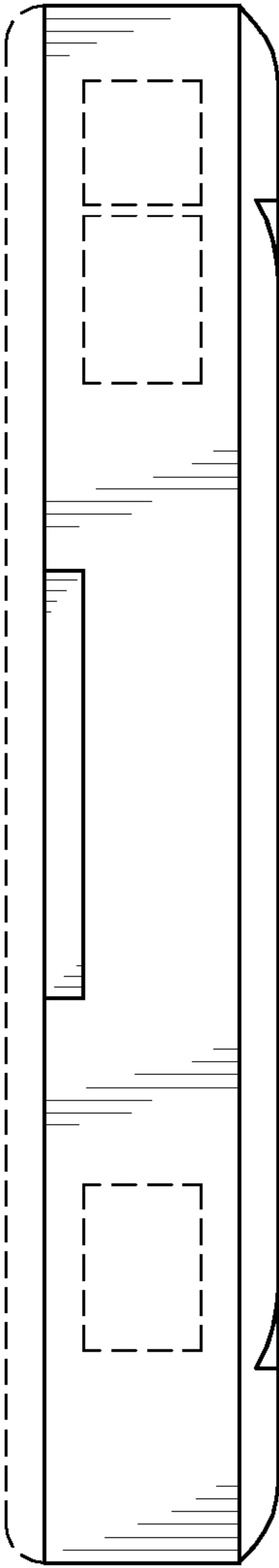


FIG. 3

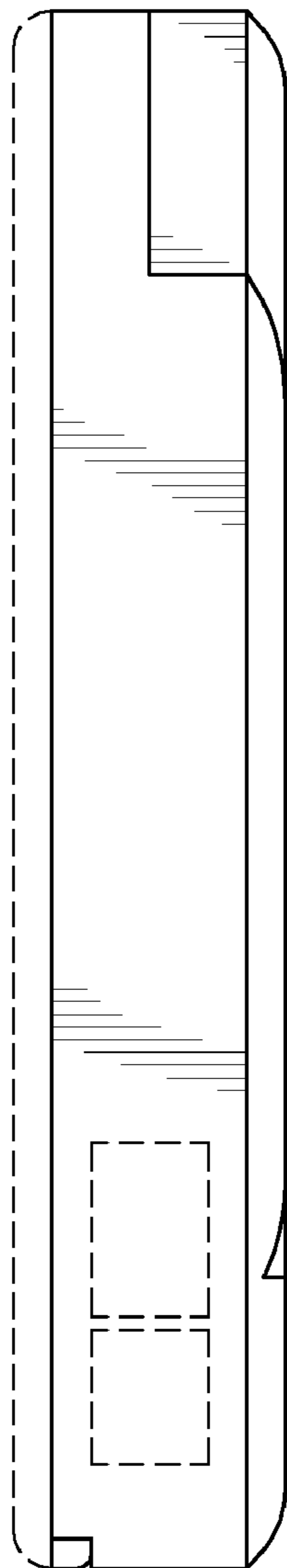


FIG. 4

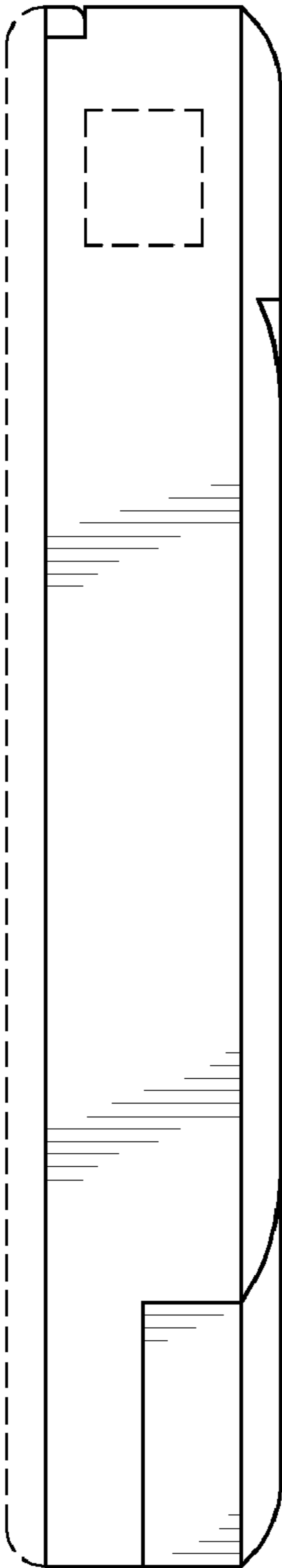


FIG. 5

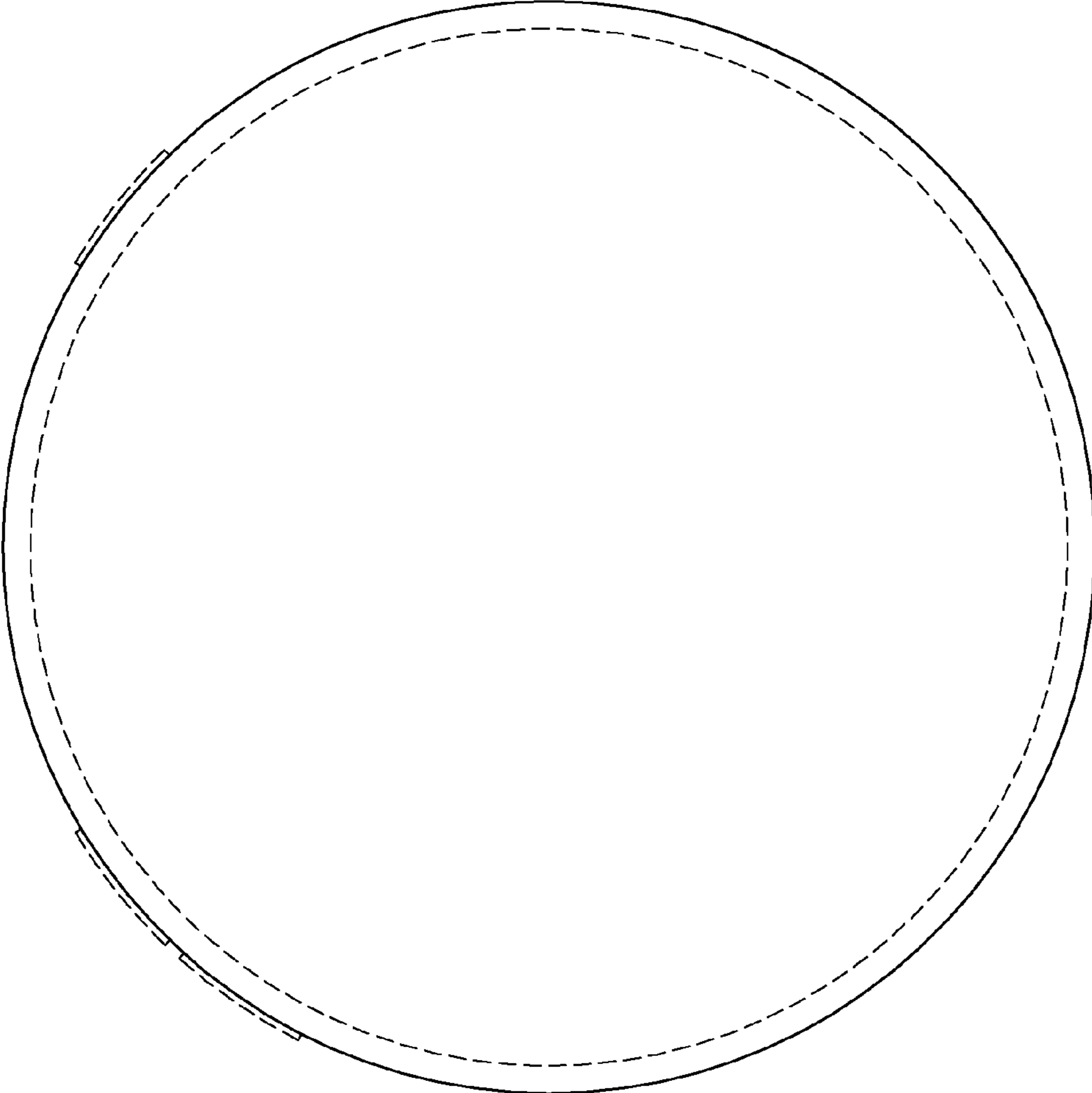


FIG. 6



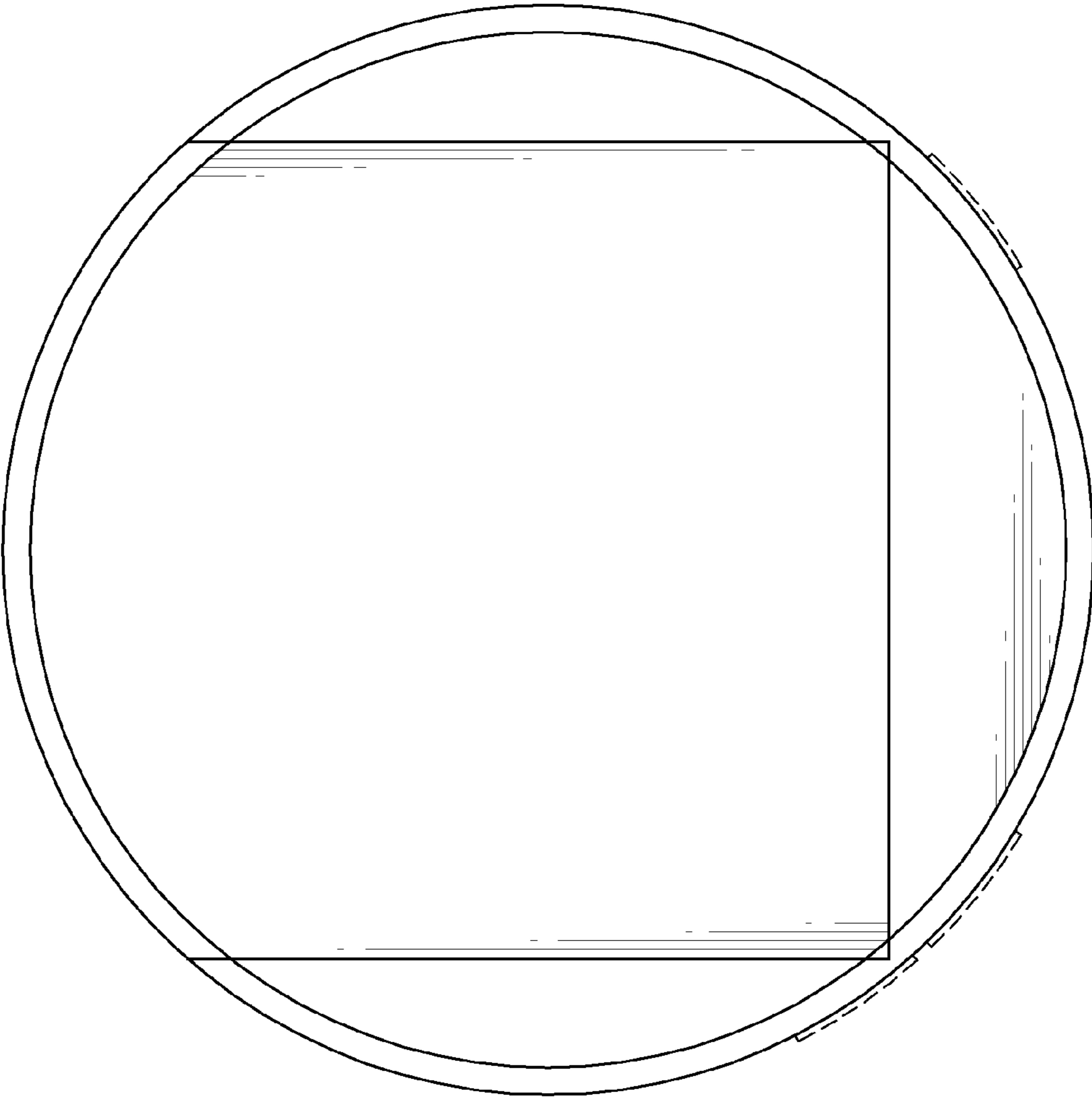


FIG. 7

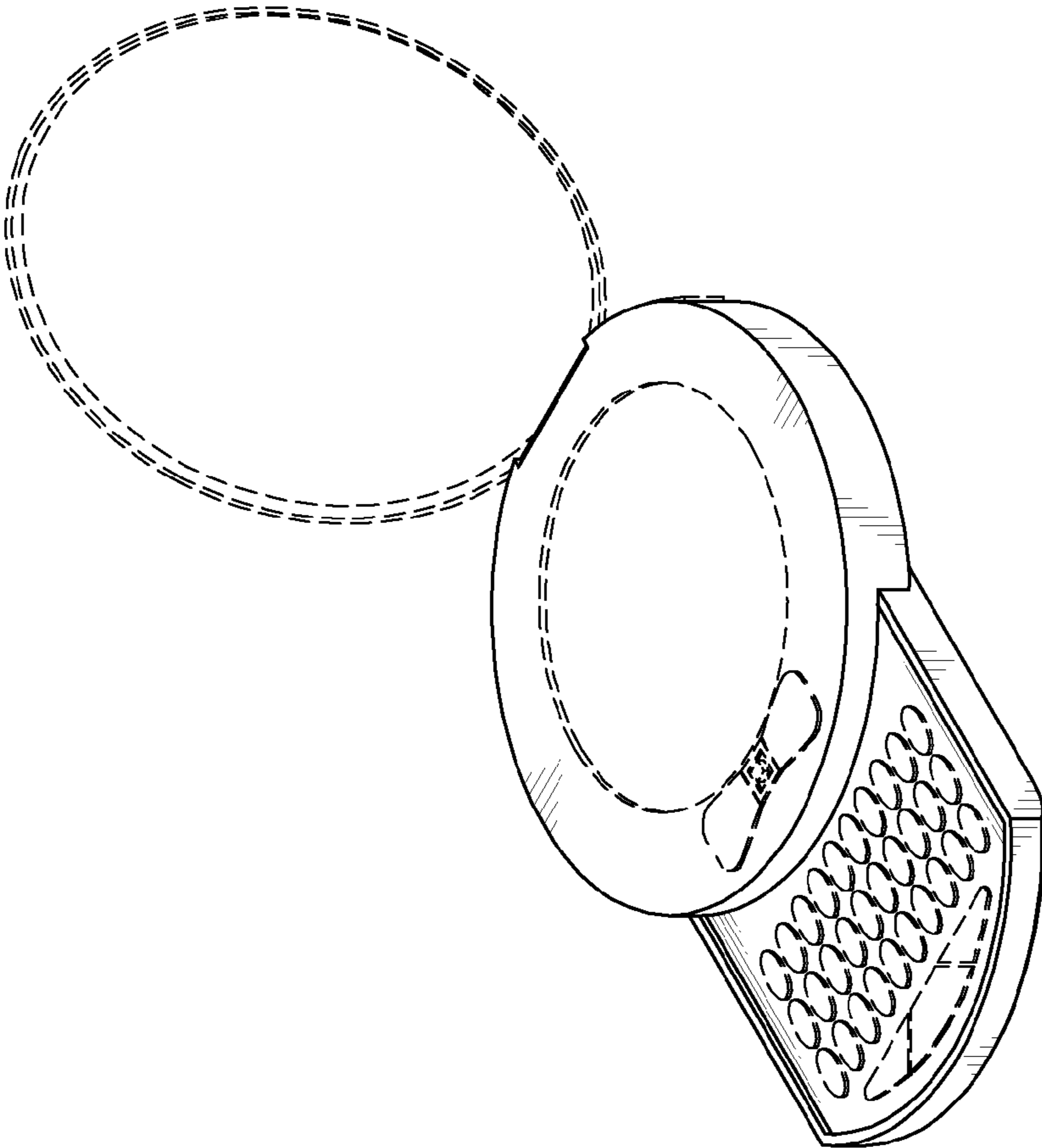


FIG. 8

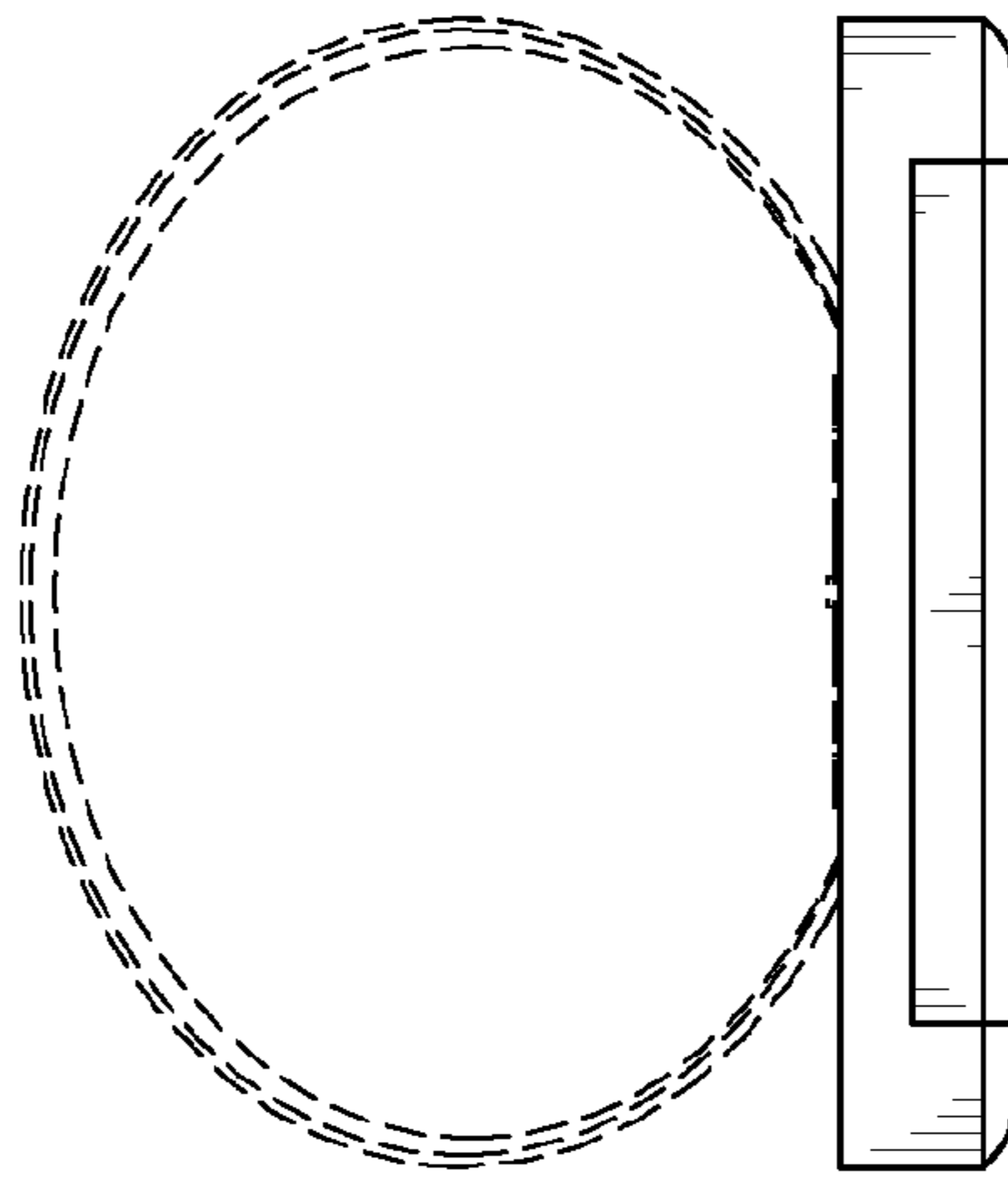


FIG. 9

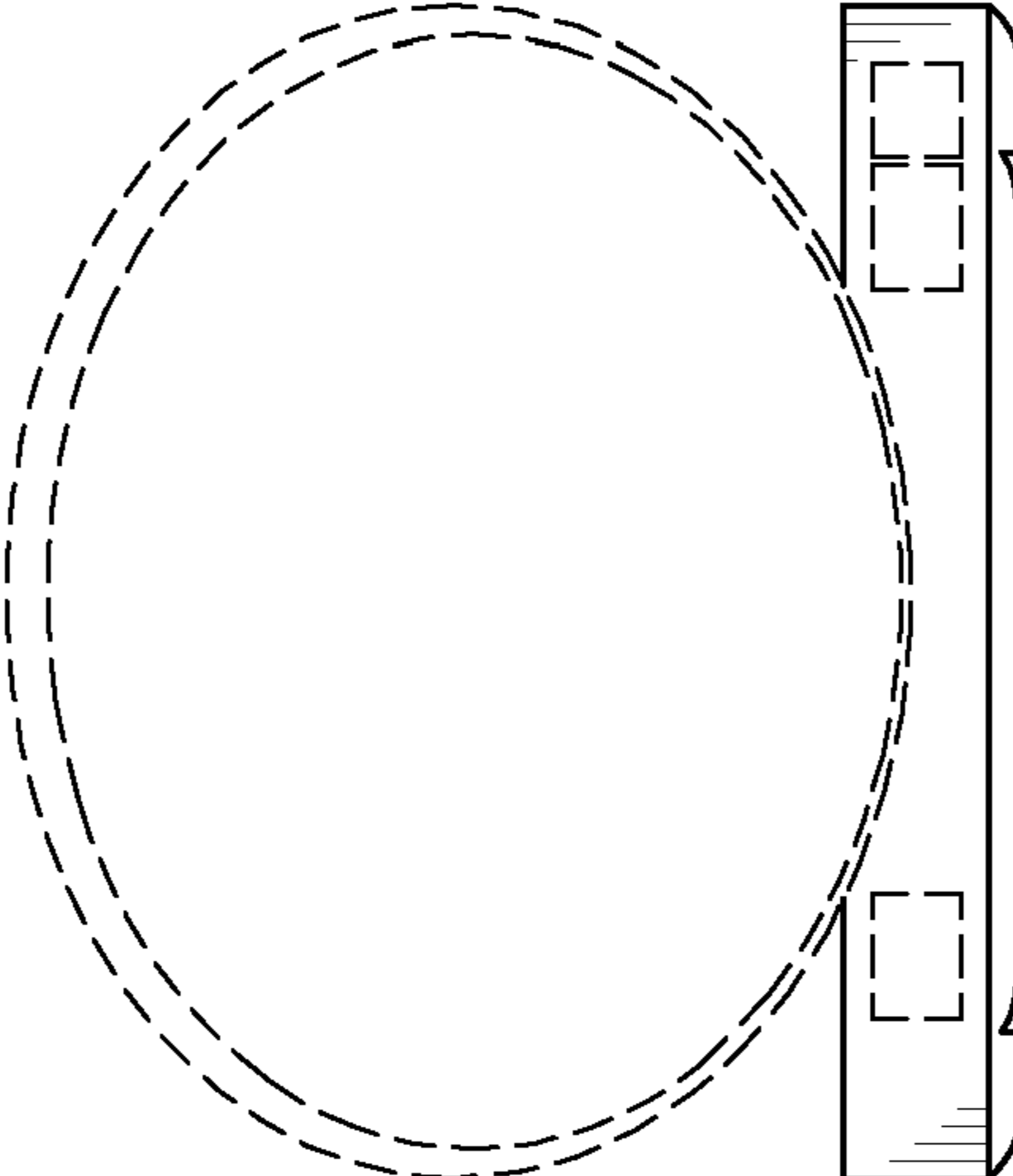


FIG. 10

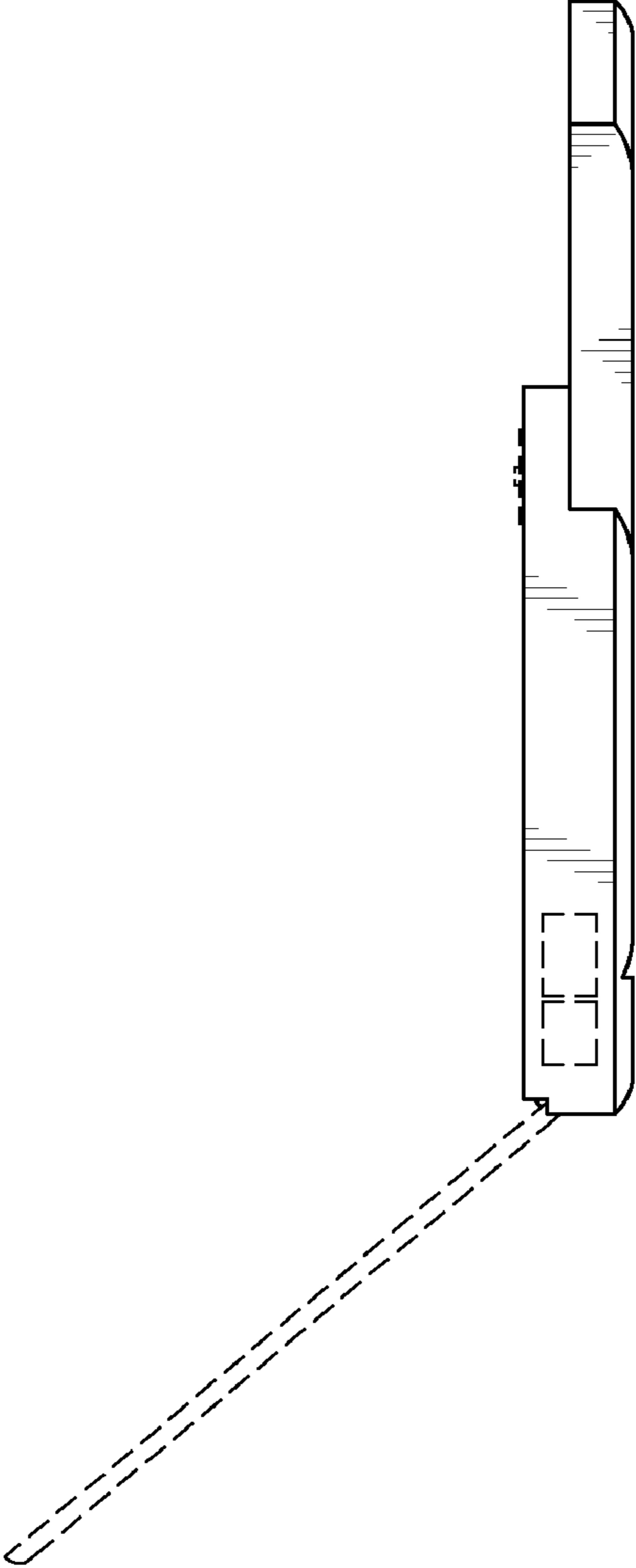


FIG. 11

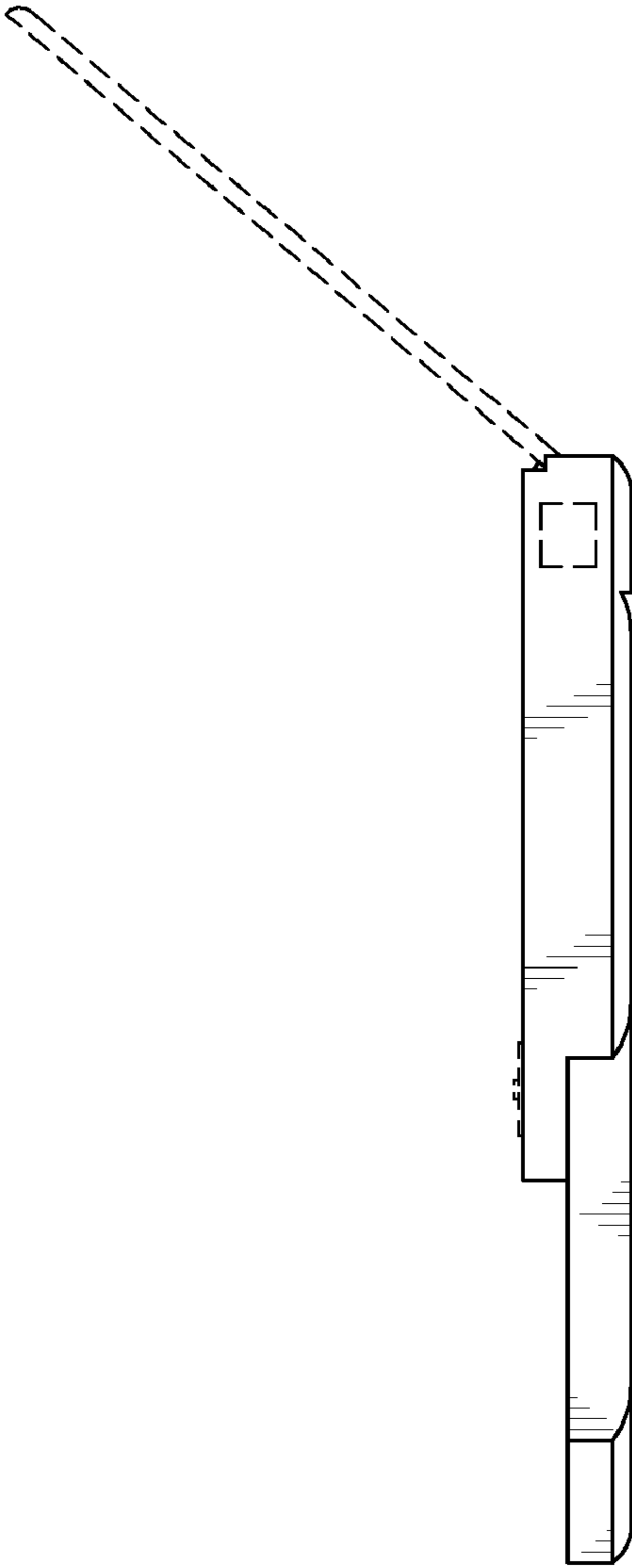


FIG. 12

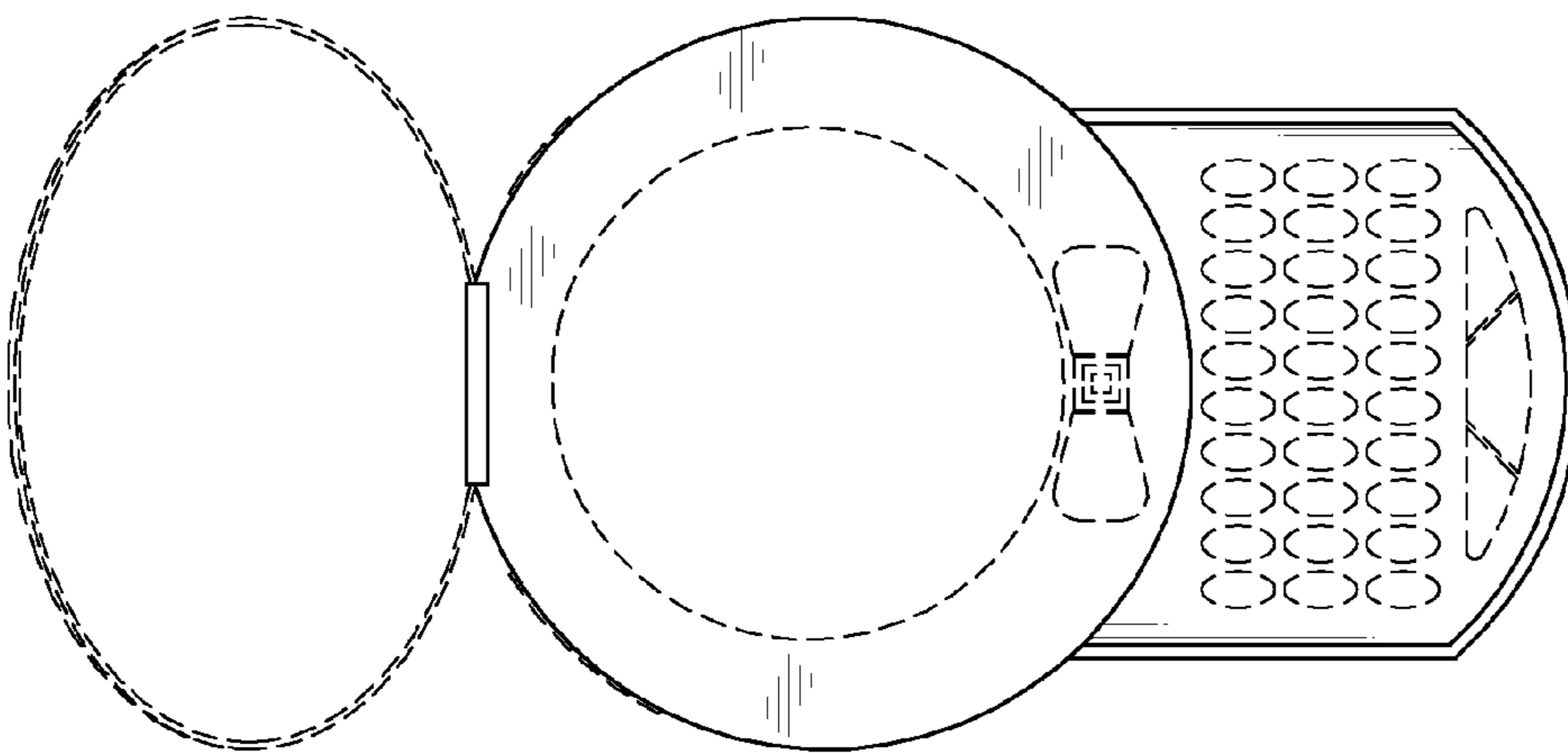


FIG. 13

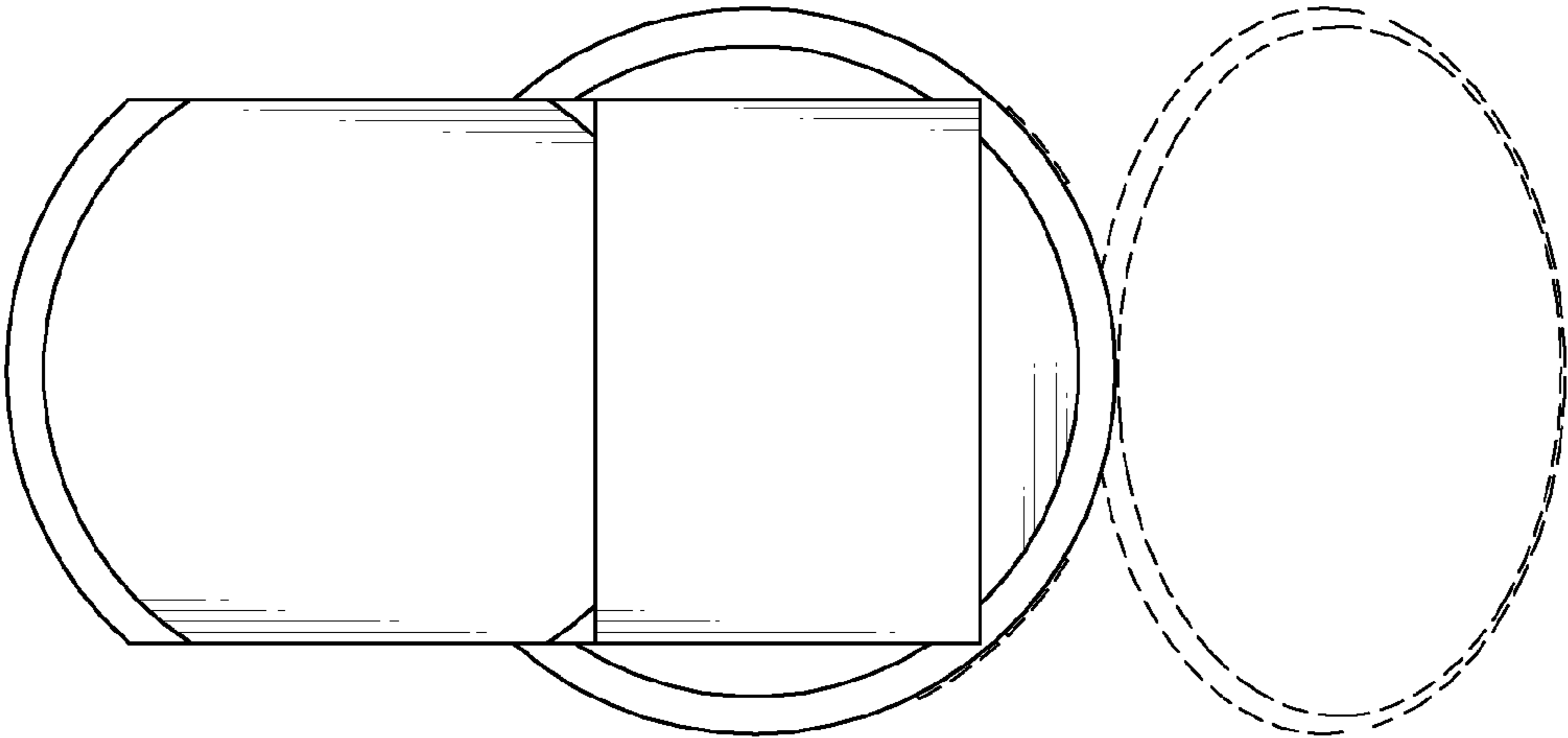


FIG. 14