



US00D624514S

(12) **United States Design Patent**
Roed et al.

(10) **Patent No.:** **US D624,514 S**
(45) **Date of Patent:** **** Sep. 28, 2010**

(54) **VIDEO CONFERENCE SYSTEM**

D593,977 S * 6/2009 Derocher et al. D14/127

(75) Inventors: **Maren Anne Roed**, Eiksmarka (NO);
Stig Myler, Fredensborg (DK);
Friederike Faller, Frederiksberg (DK);
Torkel Steffen Mellingen, Oslo (NO)

(73) Assignee: **Tandberg Telecom AS**, Lysaker (NO)

(**) Term: **14 Years**

(21) Appl. No.: **29/313,109**

(22) Filed: **Dec. 8, 2008**

(30) **Foreign Application Priority Data**

Jun. 6, 2008 (NO) 20080325

(51) **LOC (9) Cl.** **14-03**

(52) **U.S. Cl.** **D14/127**

(58) **Field of Classification Search** D14/125-134,
D14/239, 371, 136, 374-377, 440, 450, 448,
D14/336, 342; 312/7.2; 348/836, 838, 180,
348/184, 325, 739; 341/12; 248/917-924,
248/465; 345/104, 133, 156, 168, 87, 173;
720/605, 669, 600, 655; 369/99, 197; 455/344,
455/347; D21/329, 515, 577, 622, 333, 433,
D21/448, 452, 450, 331; D6/477, 479, 300;
273/148 B; 446/484, 175, 356; D10/15,
D10/26

See application file for complete search history.

(56) **References Cited**

U.S. PATENT DOCUMENTS

D340,229 S * 10/1993 Drabczyk et al. D14/306
D346,605 S * 5/1994 Bosson D14/239
D440,543 S * 4/2001 Kodimer D14/127
D581,380 S * 11/2008 Derocher et al. D14/127
D583,781 S * 12/2008 Derocher et al. D14/129
D585,857 S * 2/2009 Monson et al. D14/127

OTHER PUBLICATIONS

U.S. Appl. No. 29/313,109, filed Dec. 8, 2008, Roed, et al.
U.S. Appl. No. 12/561,933, filed Sep. 17, 2009, Lovhaugen, et al.
U.S. Appl. No. 12/636,514, filed Dec. 11, 2009, Hagen, et al.
U.S. Appl. No. 29/329,021, filed Dec. 8, 2008, Roed, et al.
U.S. Appl. No. 29/329,025, filed Dec. 8, 2008, Roed, et al.
U.S. Appl. No. 29/353,287, filed Jan. 6, 2010, Roed, et al.
U.S. Appl. No. 29/353,285, filed Jan. 6, 2010, Roed, et al.

* cited by examiner

Primary Examiner—Raphael Barkai

(74) *Attorney, Agent, or Firm*—Oblon, Spivak, McClelland,
Maier & Neustadt, L.L.P.

(57) **CLAIM**

The ornamental design for a video conference system, as shown and described.

DESCRIPTION

FIG. 1 is a top and left elevational view of a video conference system;

FIG. 2 is a right side elevational view;

FIG. 3 is a front elevational view thereof;

FIG. 4 is a rear elevational view thereof;

FIG. 5 is a bottom plan view thereof;

FIG. 6 is a top plan view thereof;

FIG. 7 is a left side elevational view thereof;

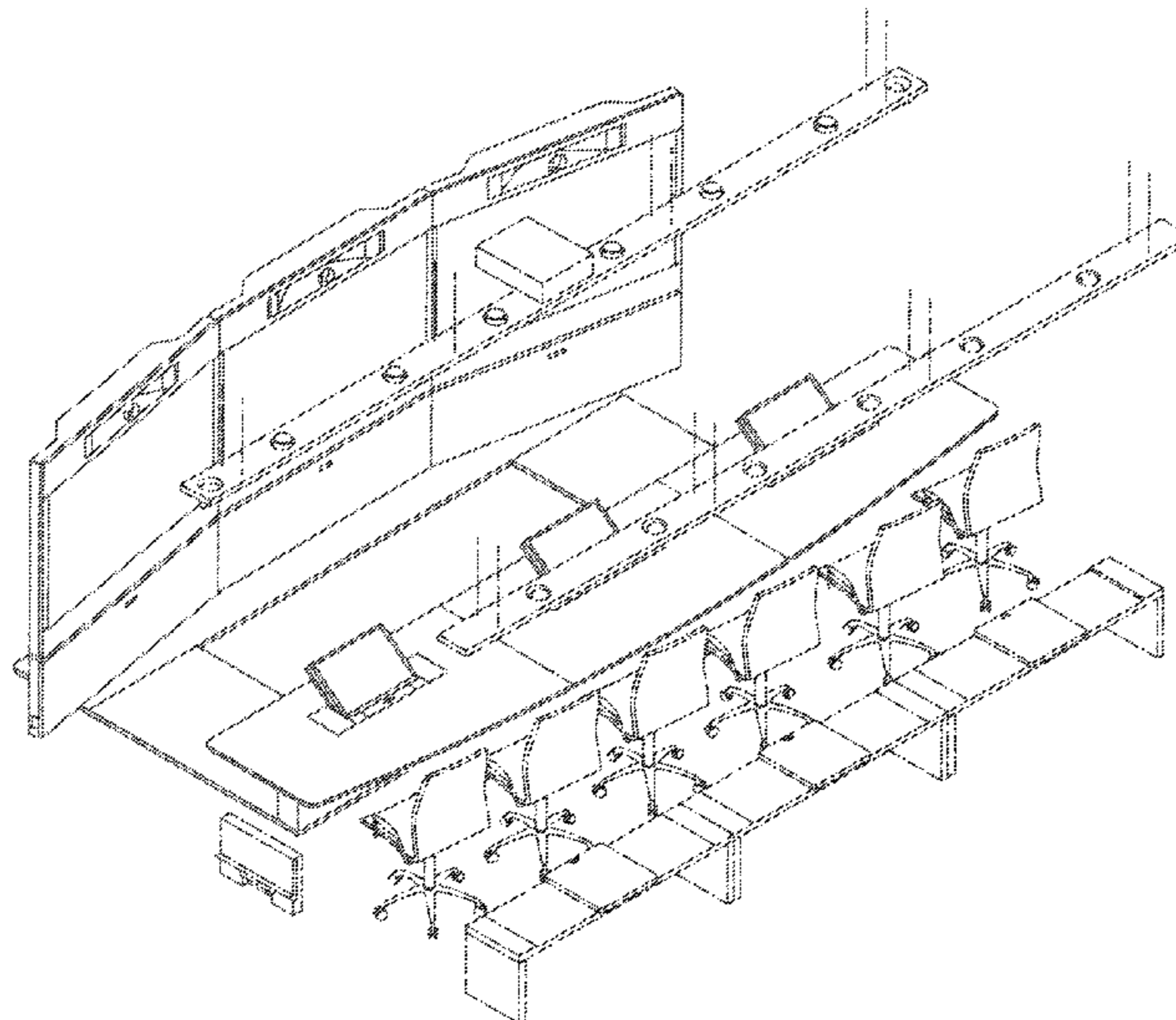
FIG. 8 is a right side elevational view thereof; and,

FIG. 9 is a right side elevational view of a display device shown in the preceding views.

The broken lines in the drawings depict environmental subject matter only and form no part of the claimed design.

The element depicted in FIG. 9 is shown separately for ease of illustration only.

1 Claim, 9 Drawing Sheets



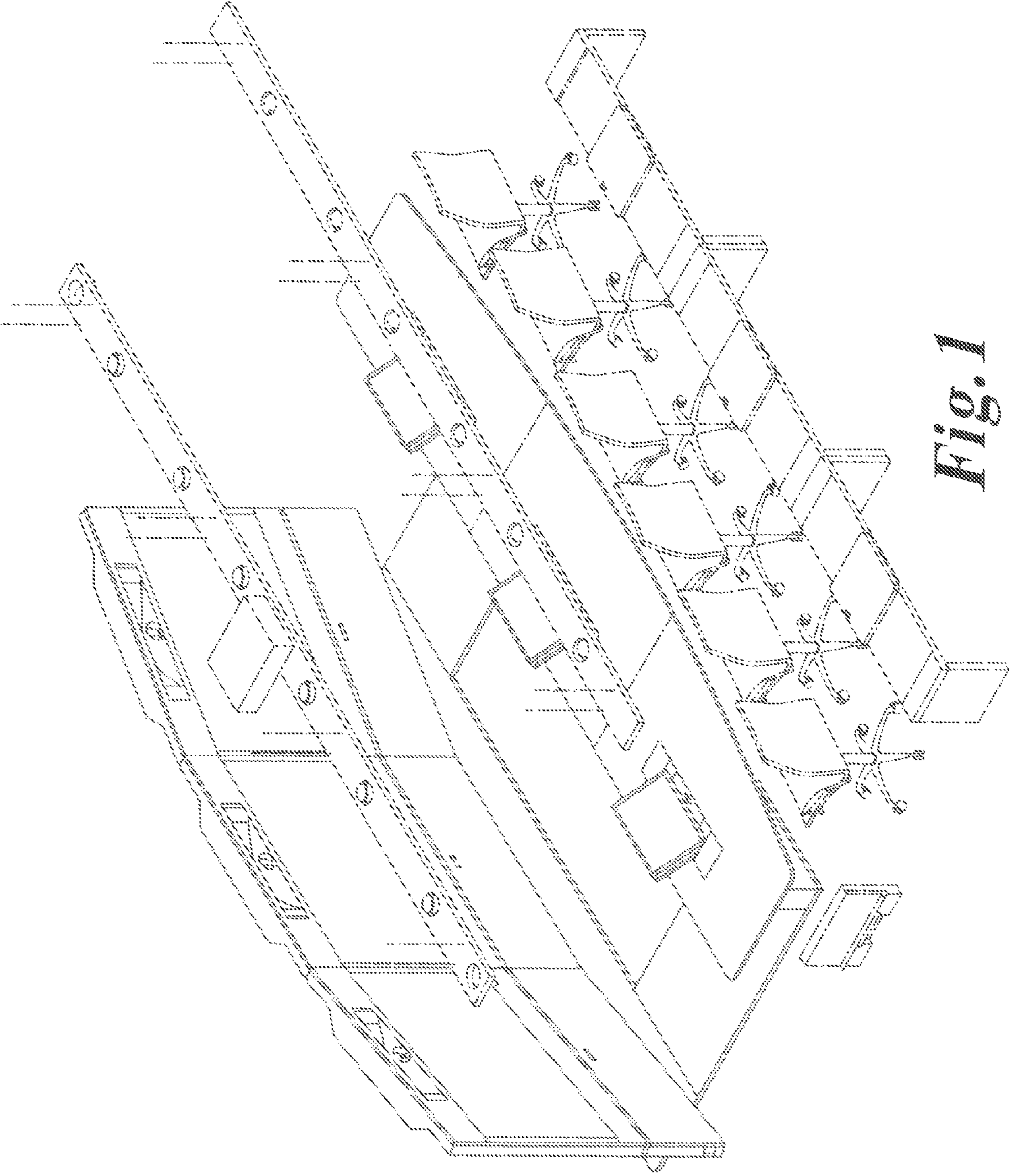


Fig. 1

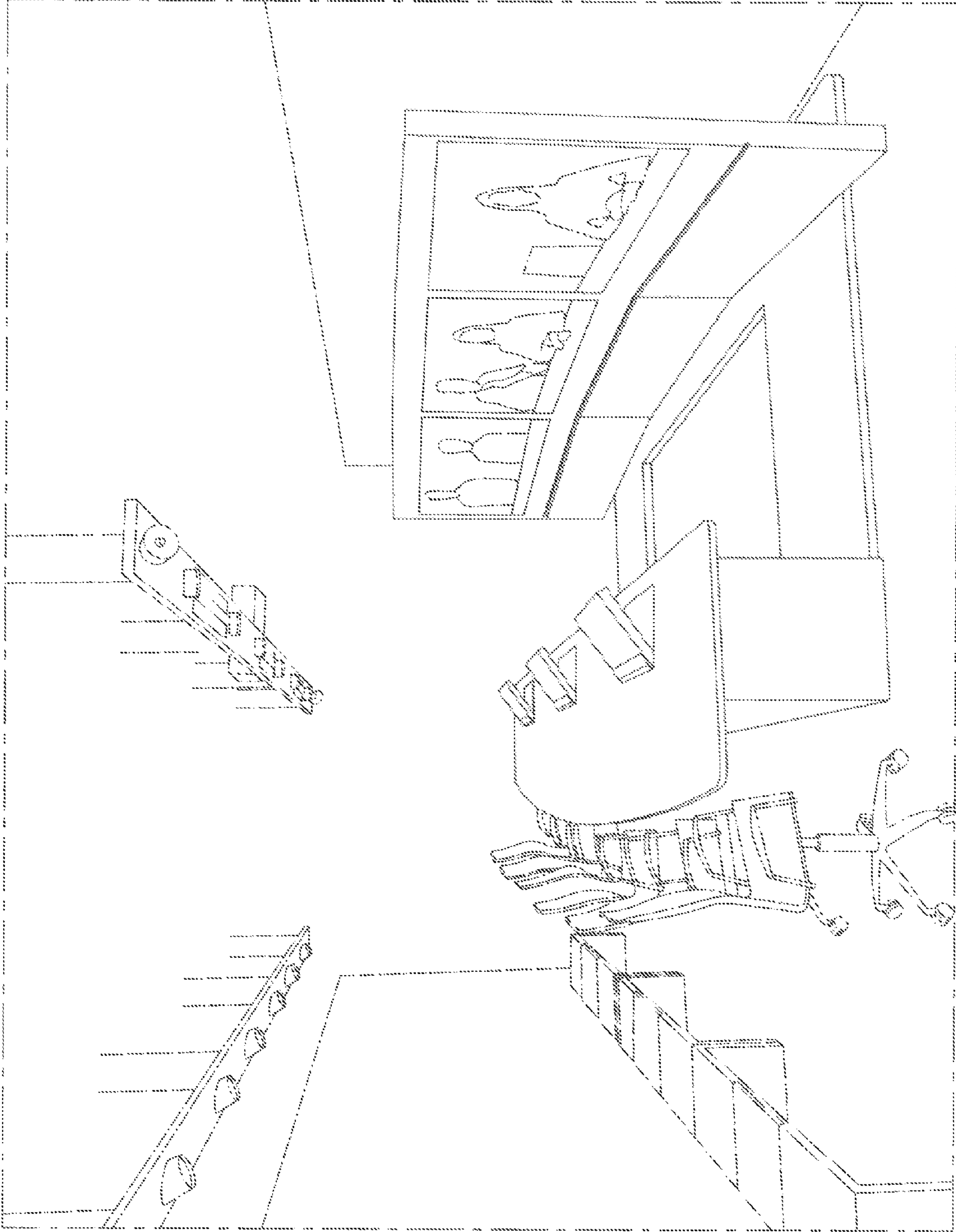


Fig. 2

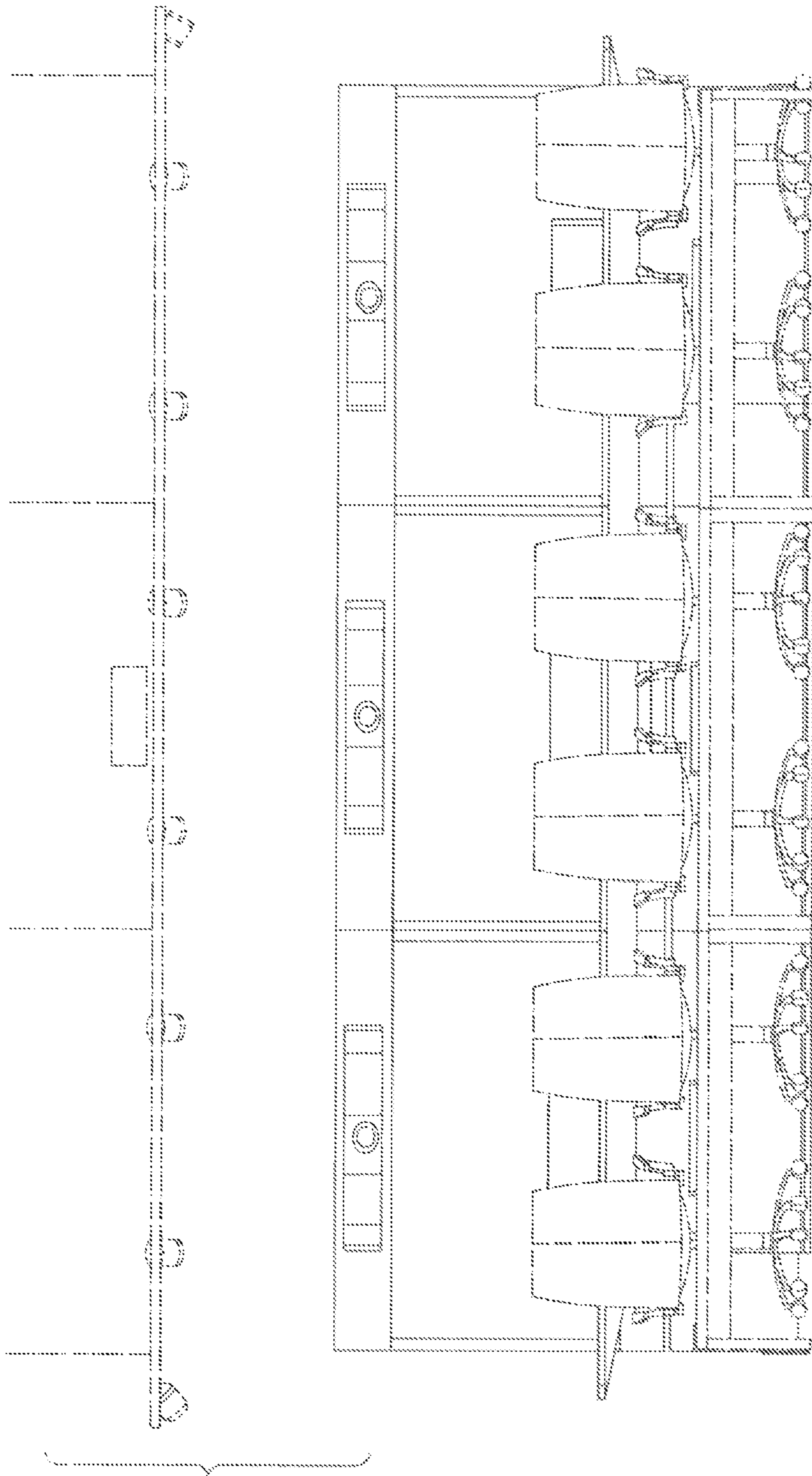


Fig. 3

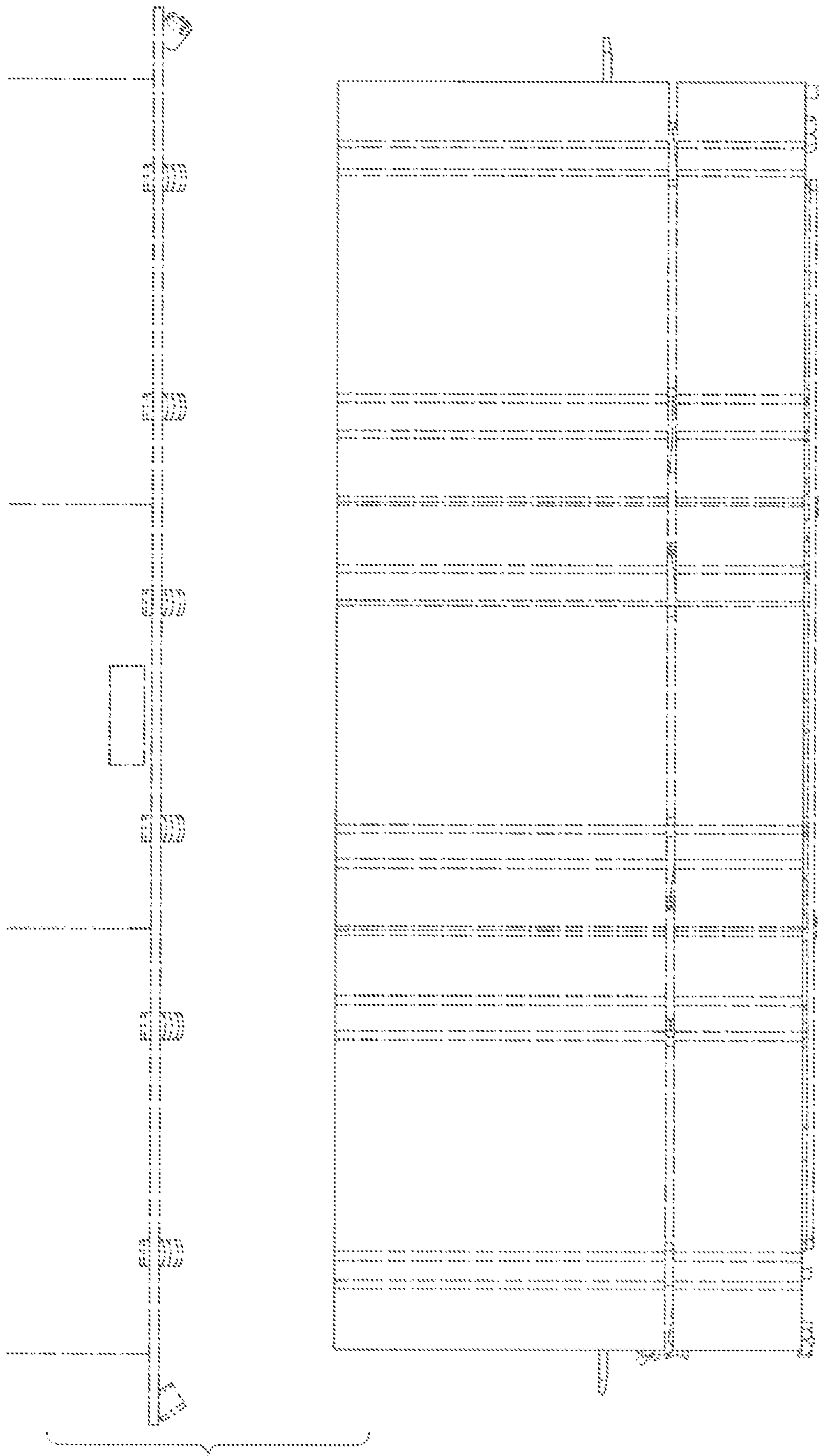


Fig. 4

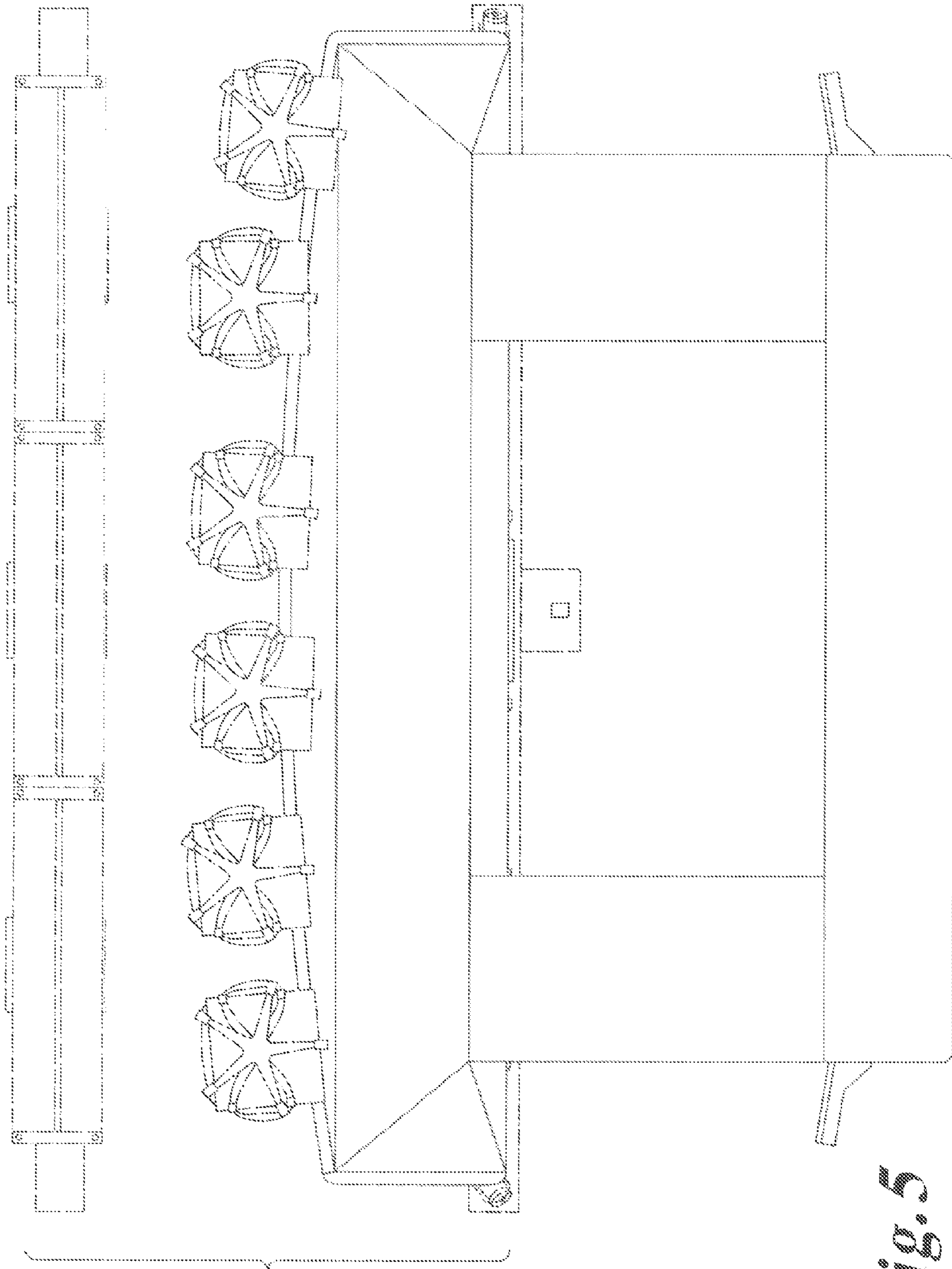


Fig. 5

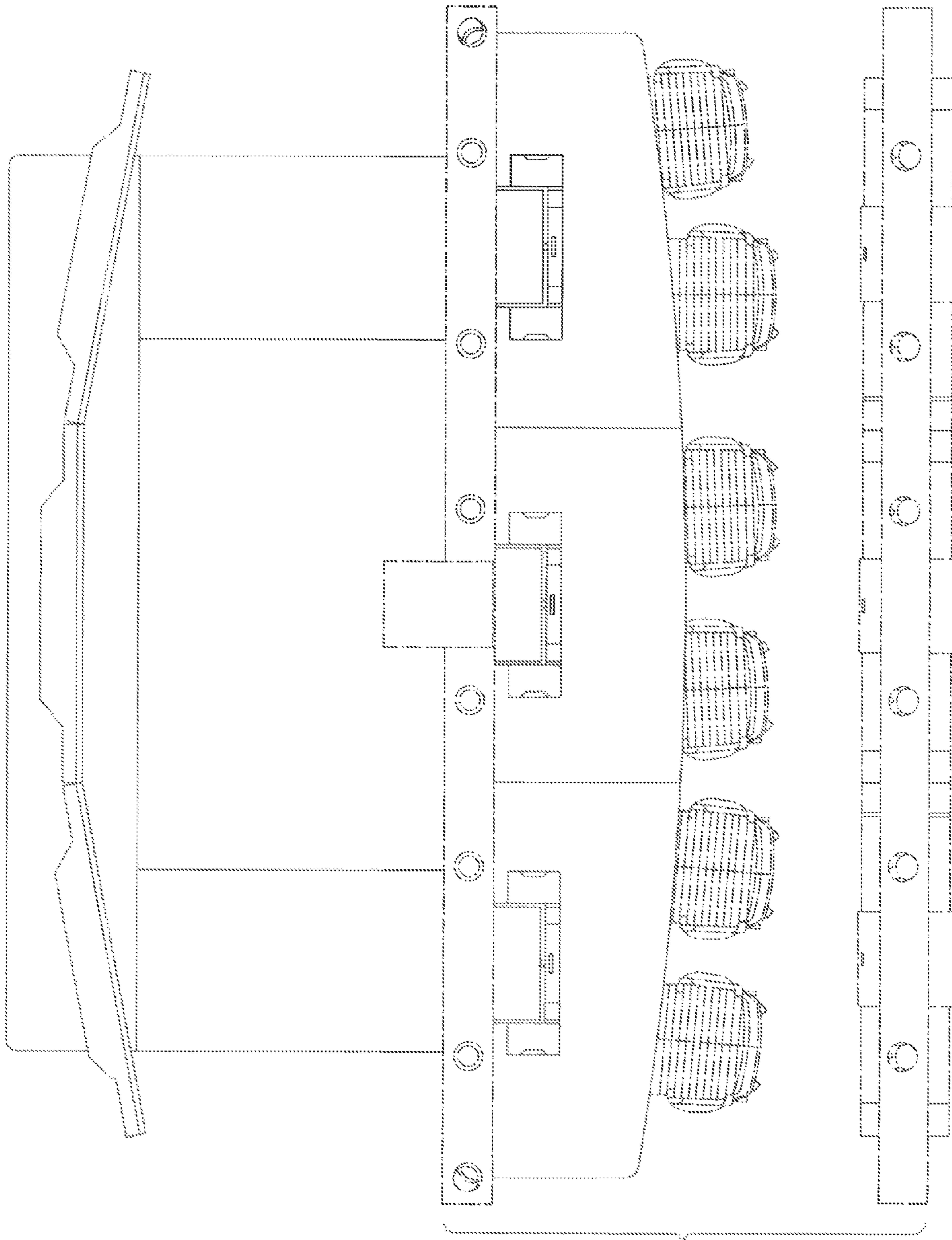


Fig. 6

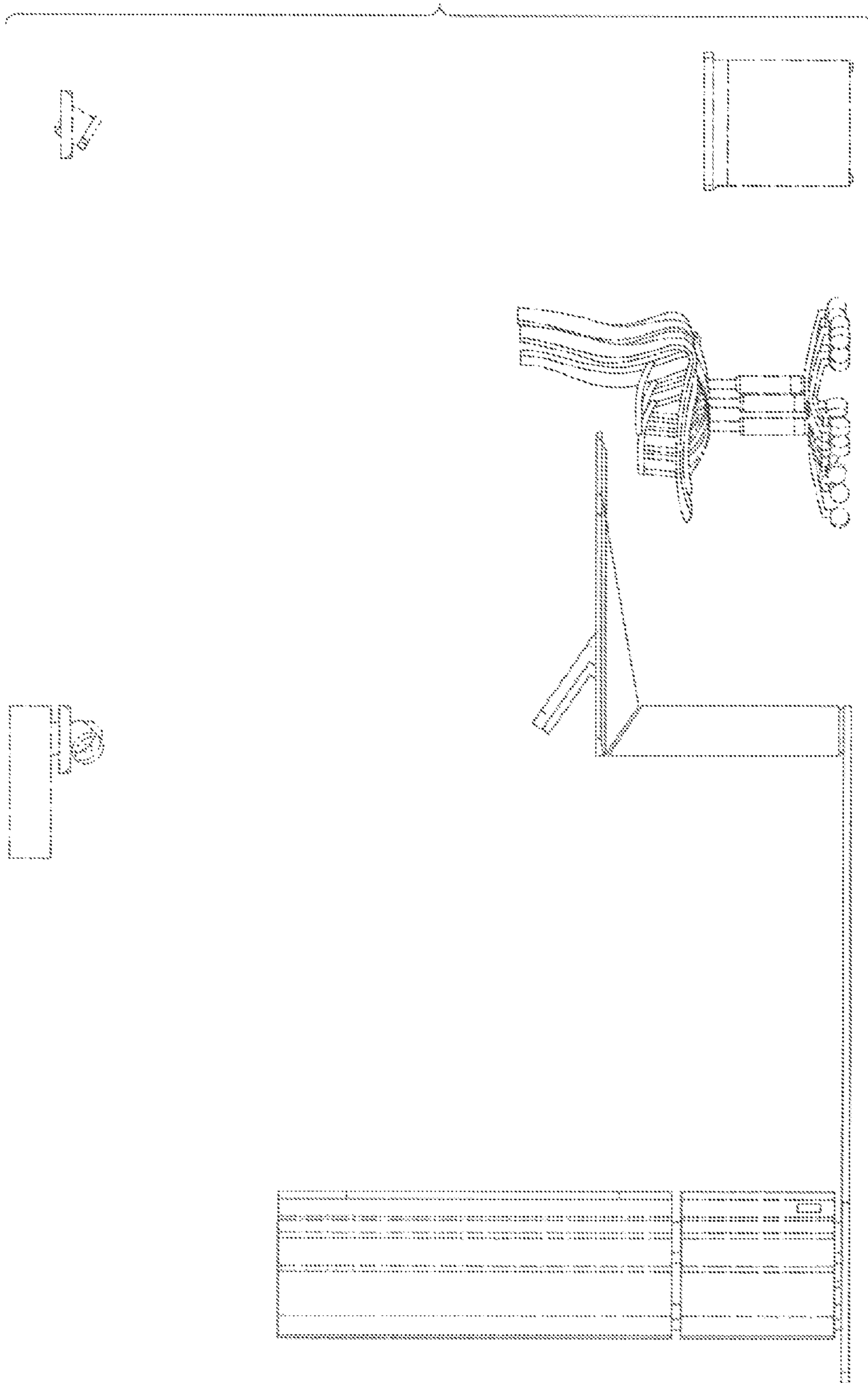


Fig. 7

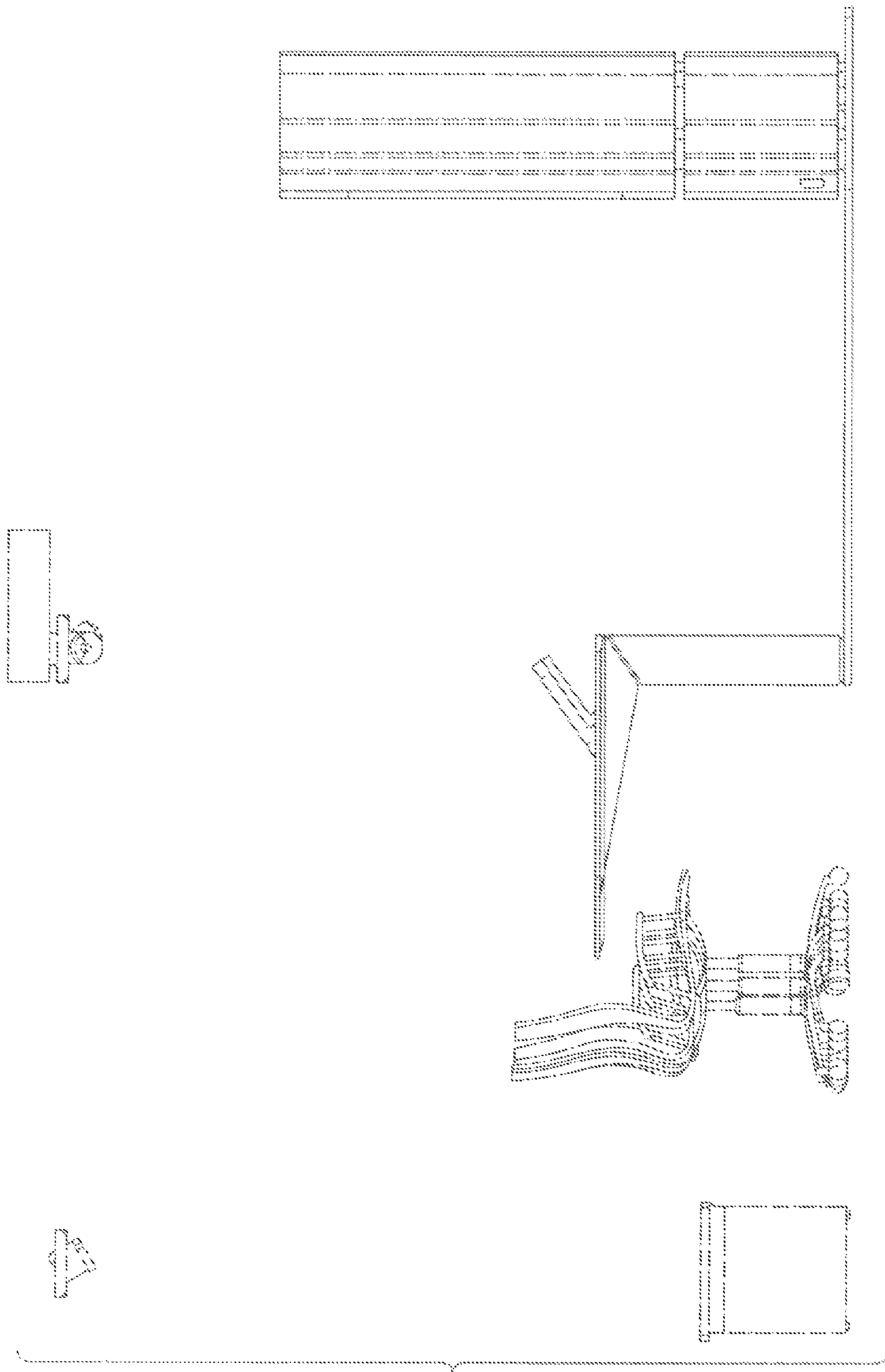


Fig. 8

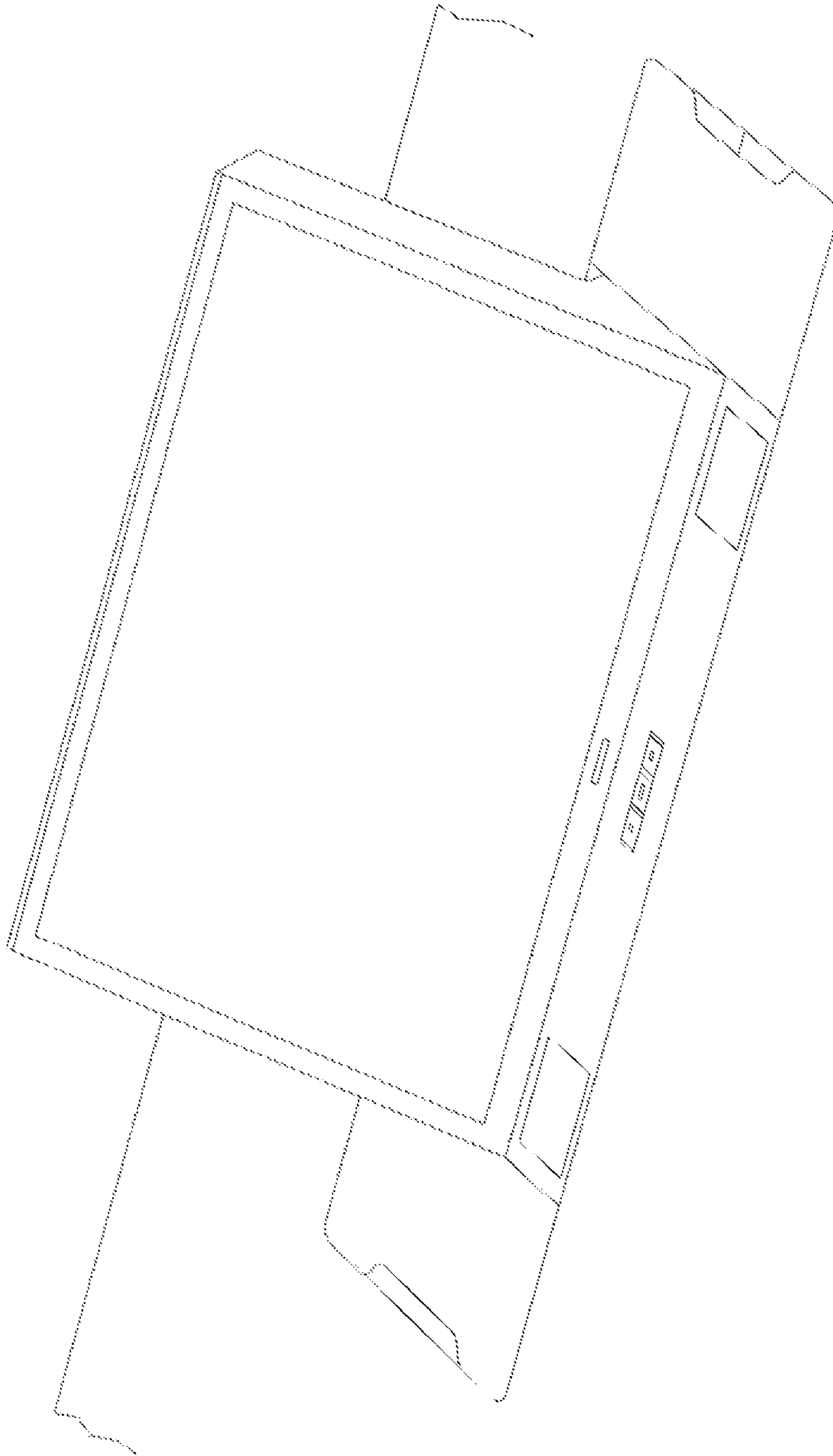


Fig. 9