



US00D624511S

(12) **United States Design Patent**
Watanabe et al.

(10) **Patent No.:** **US D624,511 S**
(45) **Date of Patent:** **** Sep. 28, 2010**

(54) **LIGHT RECEIVING AND EMITTING DEVICE**

(75) Inventors: **Tamitoshi Watanabe**, Kitakyushu (JP);
Yasunori Nagahata, Kitakyushu (JP)

(73) Assignee: **Kabushiki Kaisha Toshiba** (JP)

(**) Term: **14 Years**

(21) Appl. No.: **29/352,525**

(22) Filed: **Dec. 22, 2009**

Related U.S. Application Data

(62) Division of application No. 29/332,721, filed on Feb. 24, 2009, now Pat. No. Des. 609,653.

Foreign Application Priority Data

Oct. 7, 2008 (JP) 2008-025784
Oct. 7, 2008 (JP) 2008-025785

(51) **LOC (9) Cl.** **13-03**

(52) **U.S. Cl.** **D13/180**

(58) **Field of Classification Search** D13/180;
D26/2; 257/79, 80, 81, 88, 89, 95, 98, 99,
257/100; 313/483, 498, 500; 362/555, 800
See application file for complete search history.

(56) **References Cited**

U.S. PATENT DOCUMENTS

6,624,491 B2 9/2003 Waitl et al.
D520,466 S 5/2006 Kamiya et al.

7,491,977 B2 2/2009 Fukasawa
D609,653 S * 2/2010 Watanabe et al. D13/180
2006/0186431 A1 8/2006 Miki et al.
2009/0020778 A1 1/2009 Noichi
2009/0065796 A1 3/2009 Watanabe

FOREIGN PATENT DOCUMENTS

JP 712549 9/1987
JP 712549-1 9/1987
JP 712549-2 11/1997
KR 30-0344867 2/2004
KR 30-0364191-02 10/2004

* cited by examiner

Primary Examiner—Selina Sikder

(74) *Attorney, Agent, or Firm*—Banner & Witcoff, Ltd.

(57) **CLAIM**

The ornamental design for a light receiving and emitting device, as shown and described.

DESCRIPTION

FIG. 1 is a front, top and left side perspective view of a light receiving and emitting device, showing our new design;

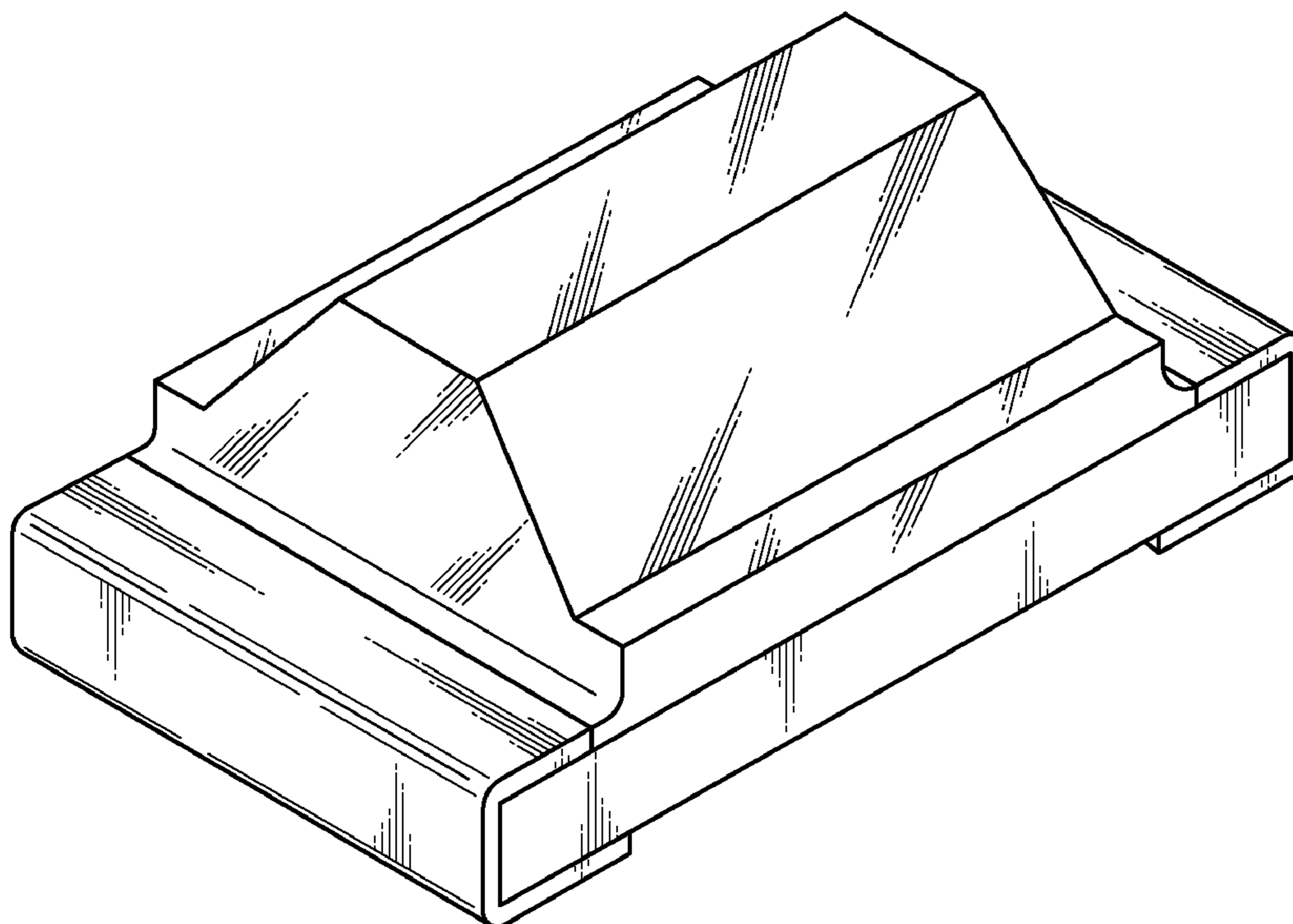
FIG. 2 is a front elevational view thereof; the opposite side being identical thereof;

FIG. 3 is a top plan view thereof;

FIG. 4 is a bottom plan view thereof; and,

FIG. 5 is a right side elevational view thereof; the opposite side being identical thereof.

1 Claim, 3 Drawing Sheets



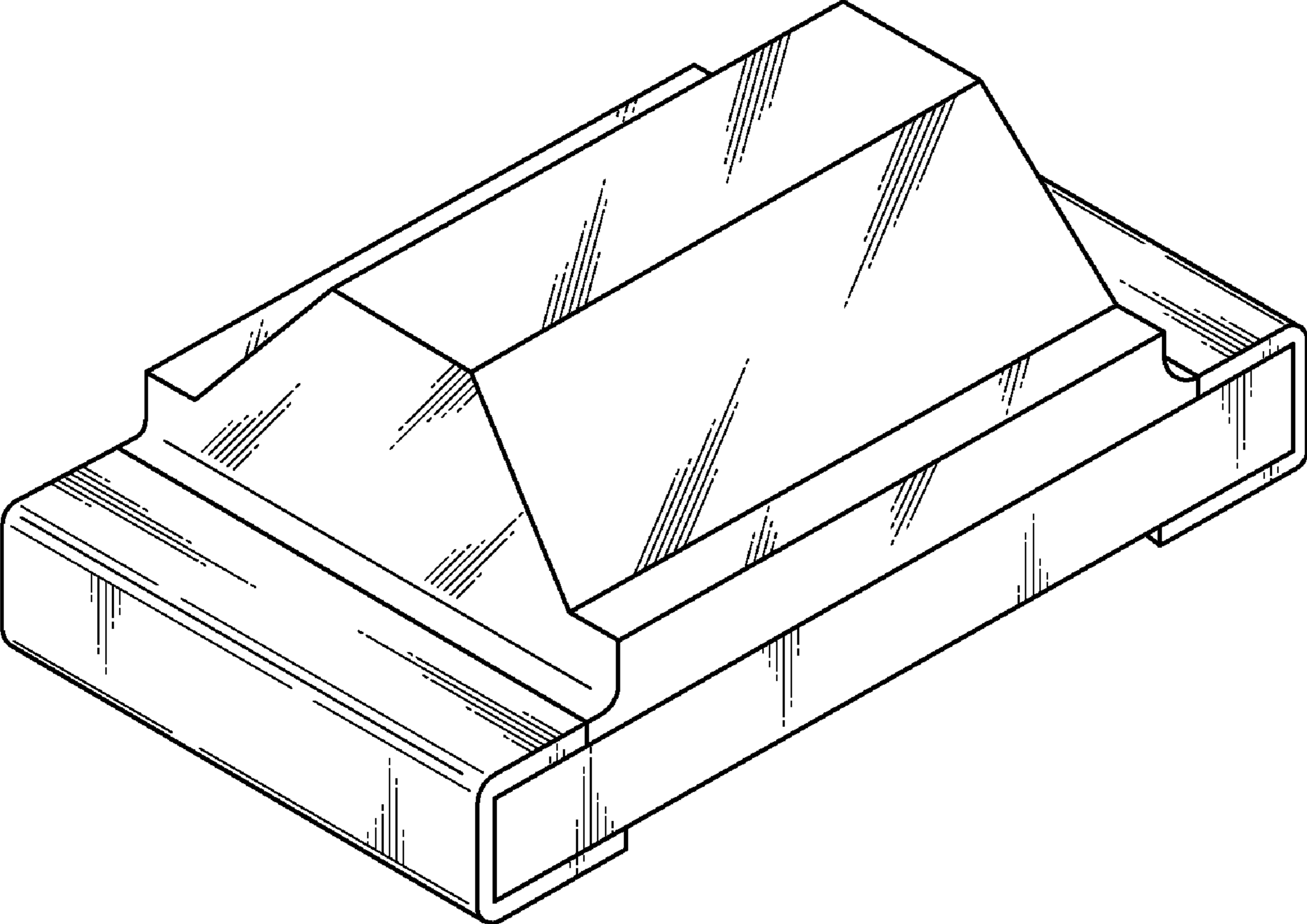


FIG.1

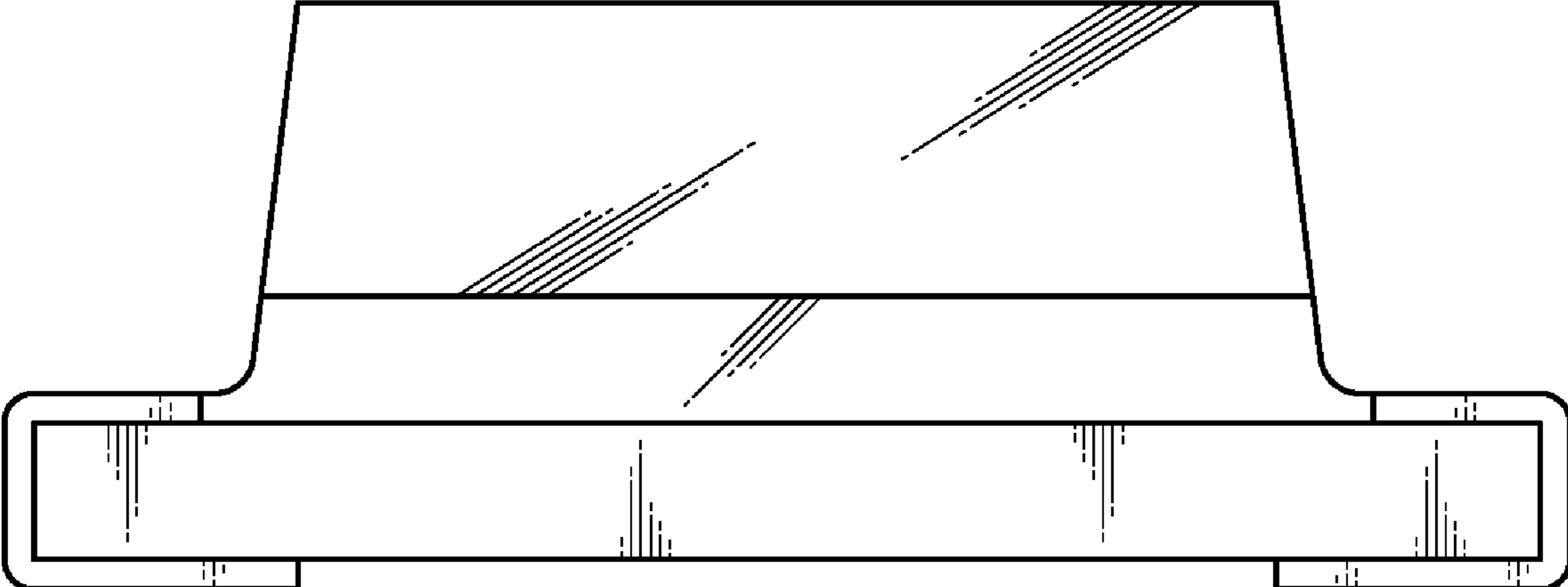


FIG. 2

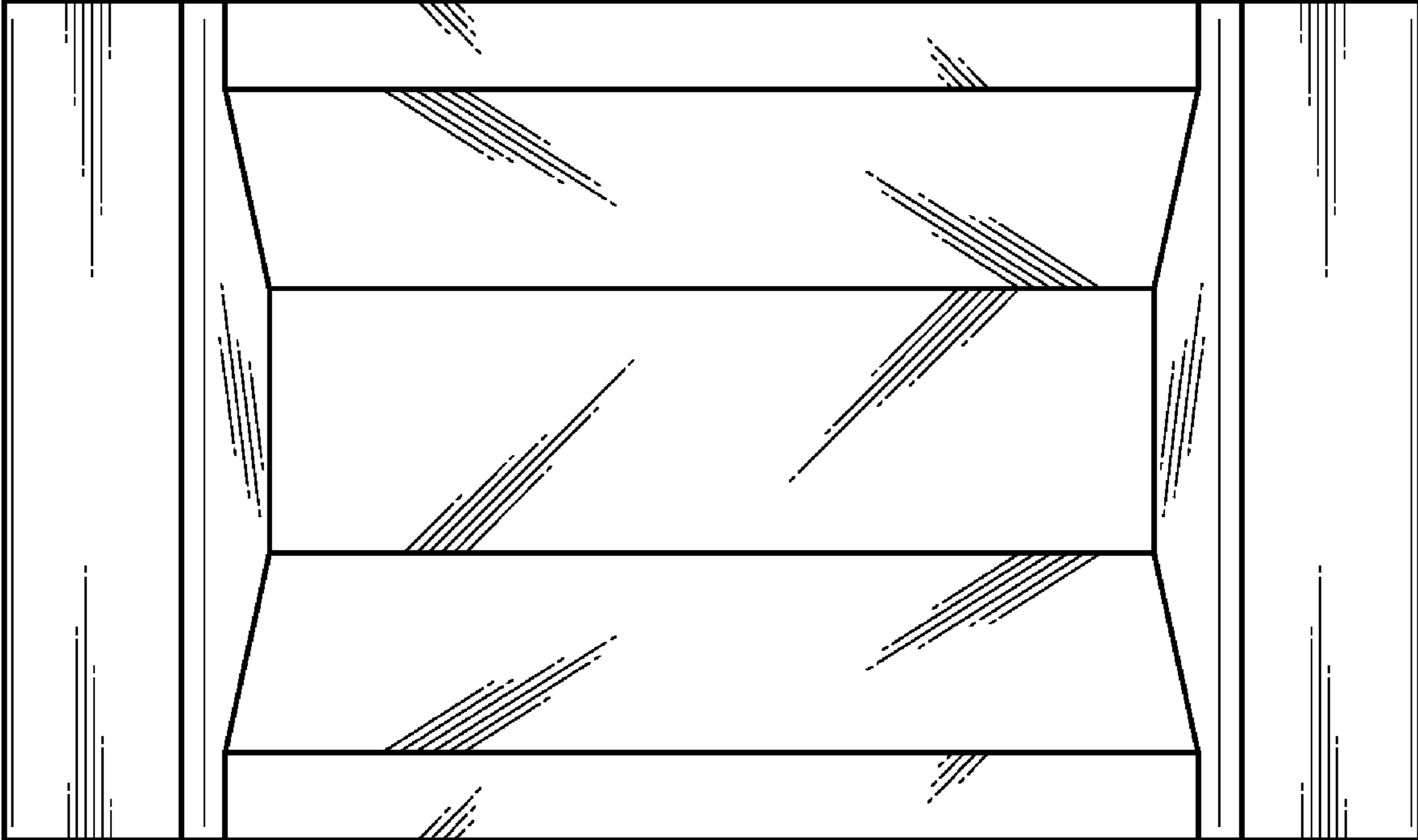


FIG. 3

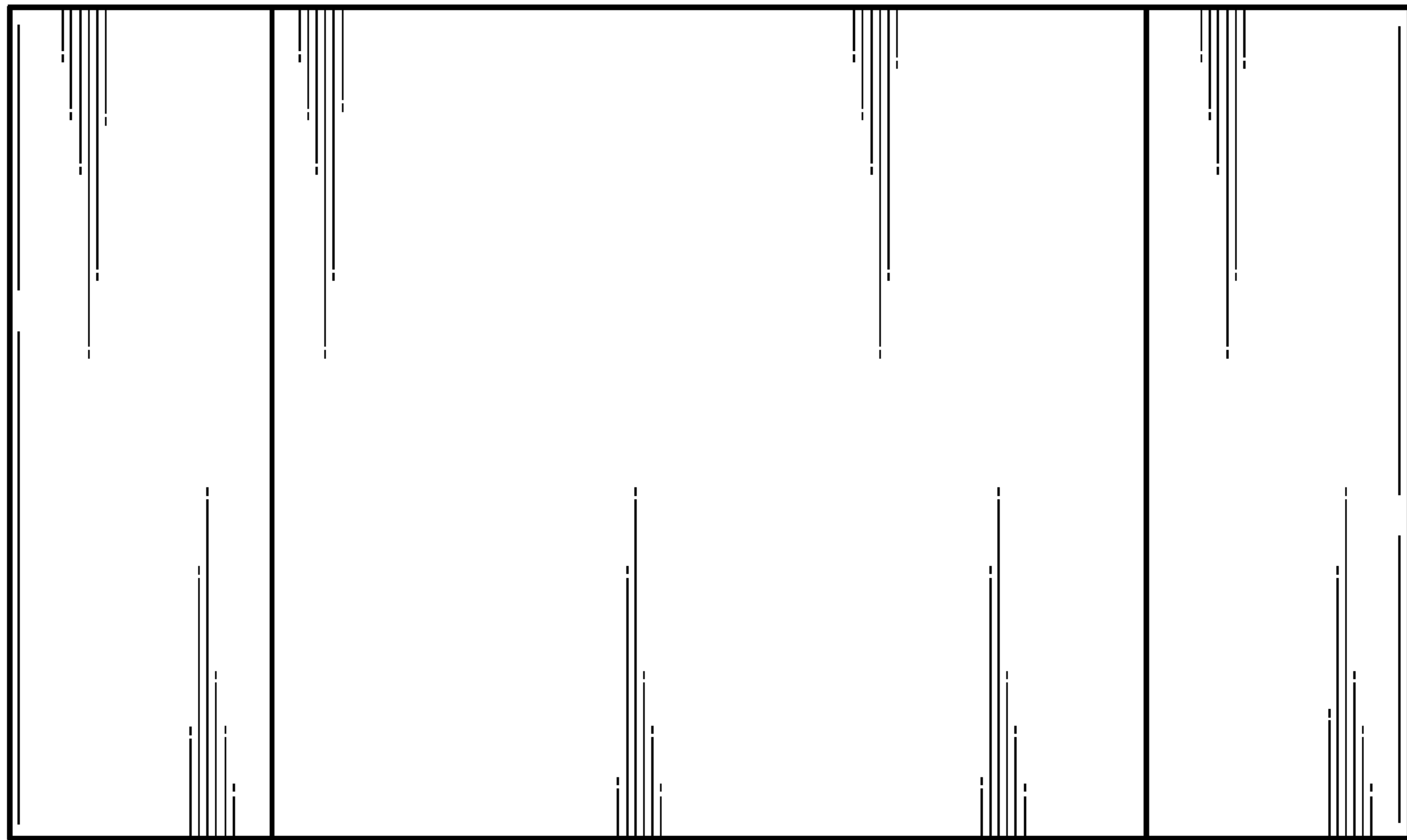


FIG. 4

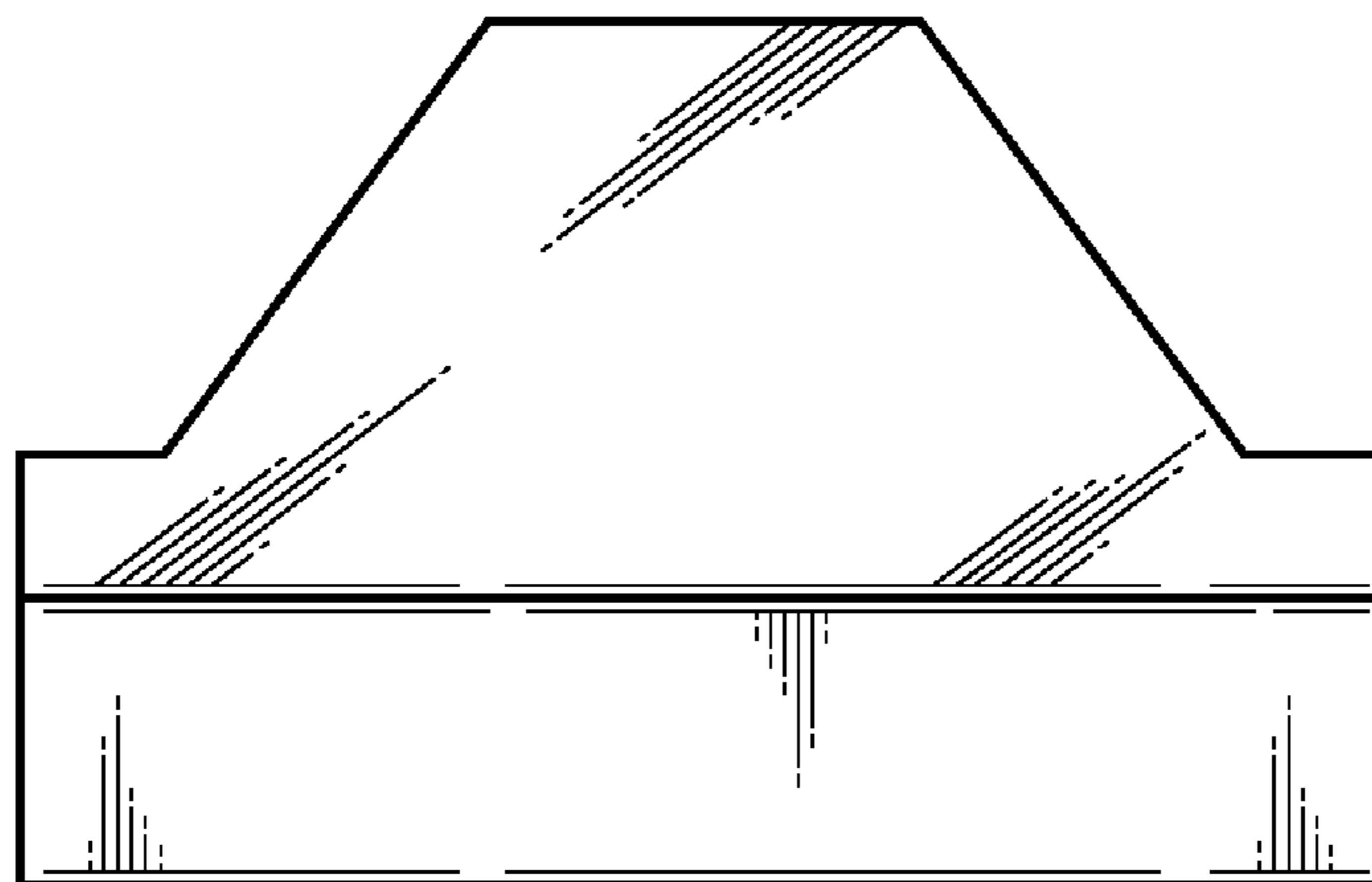


FIG. 5