



US00D624509S

(12) **United States Design Patent**
Naumann

(10) **Patent No.:** **US D624,509 S**

(45) **Date of Patent:** **** Sep. 28, 2010**

(54) **SWITCHING DEVICE**

(75) Inventor: **Peter Naumann**, Munich (DE)

(73) Assignee: **Woehner GmbH & Co. KG;**
Elektrotechnisch Systeme, Rodental
(DE)

(**) Term: **14 Years**

(21) Appl. No.: **29/303,660**

(22) Filed: **Feb. 14, 2008**

(30) **Foreign Application Priority Data**

Nov. 28, 2007 (EM) 000833470-0001

(51) **LOC (9) Cl.** **13-03**

(52) **U.S. Cl.** **D13/158**

(58) **Field of Classification Search** D13/158,
D13/159, 160, 162, 162.1, 163, 164, 177,
D13/178, 184, 199, 123; D10/106; 439/660,
439/568; 361/686, 752, 600, 601, 627, 641,
361/690, 678, 605; 307/149, 125, 113; 232/4 R,
232/1 D; 220/324, 3.8; 109/173; 206/1.5;
74/73, 89.15, 335, 411.5, 490.09; D15/143,
D15/199; 91/61, 136, 451; 310/20, 80

See application file for complete search history.

(56) **References Cited**

U.S. PATENT DOCUMENTS

D512,966 S * 12/2005 Cook et al. D13/162

D517,020 S * 3/2006 Cook et al. D13/162
D576,563 S * 9/2008 Kaluza D13/162
D582,848 S * 12/2008 Johansson D13/123
D587,211 S * 2/2009 Greenslade D13/162

* cited by examiner

Primary Examiner—Daniel D Bui

Assistant Examiner—Thomas J Johannes

(74) *Attorney, Agent, or Firm*—Sughrue Mion, PLLC

(57) **CLAIM**

The ornamental design for a switching device, as shown and described.

DESCRIPTION

FIG. 1 is a perspective view of the top, front and right side of a switching device showing my new design;

FIG. 2 is a front elevational view thereof;

FIG. 3 is a back elevational view thereof;

FIG. 4 is a left side elevational view thereof;

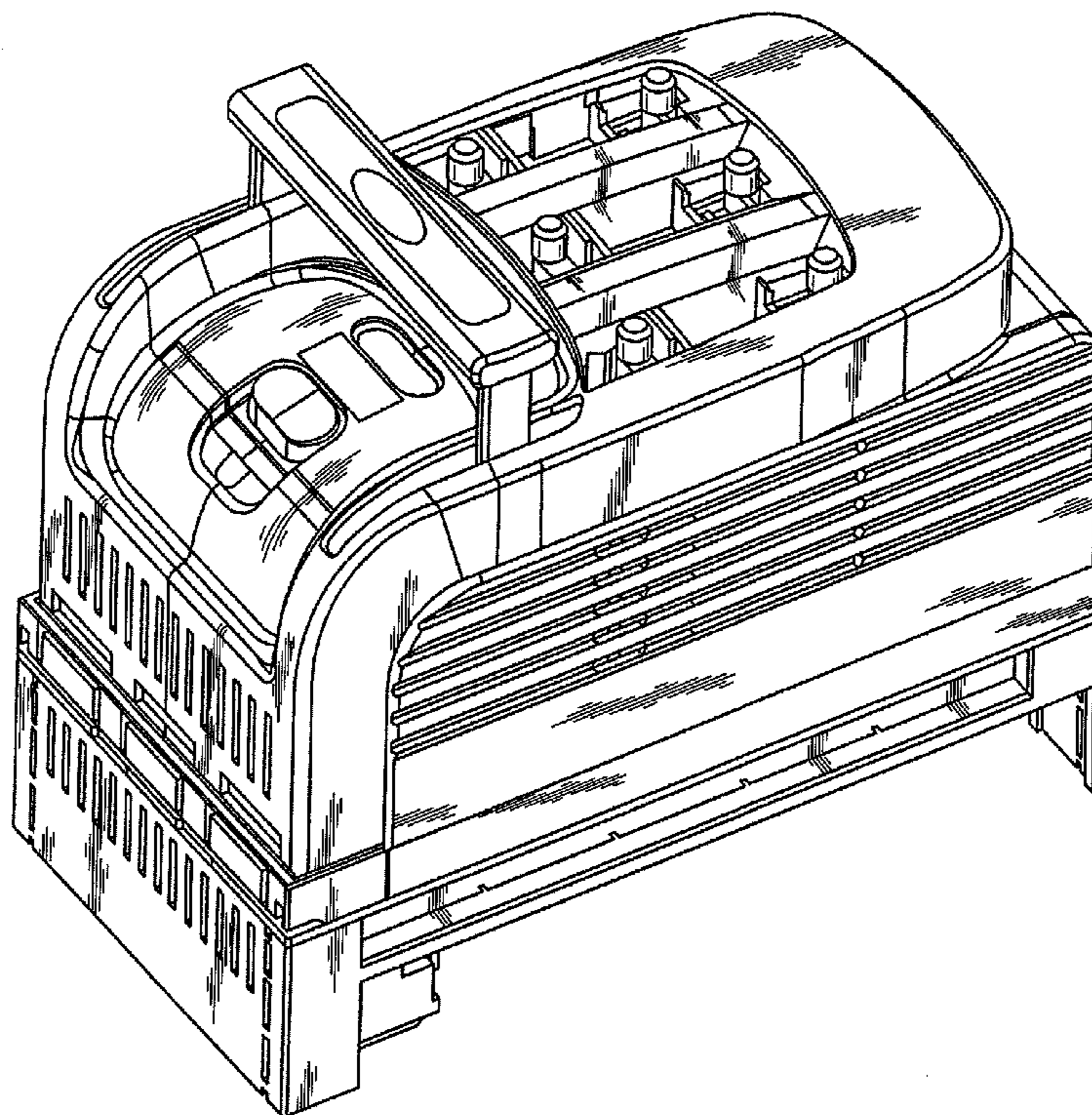
FIG. 5 is a right elevational view thereof;

FIG. 6 is a top plan view thereof; and,

FIG. 7 is a bottom plan view thereof.

The broken line portion of the figure drawings is included to show unclaimed subject matter only and forms no part of the claimed design.

1 Claim, 7 Drawing Sheets



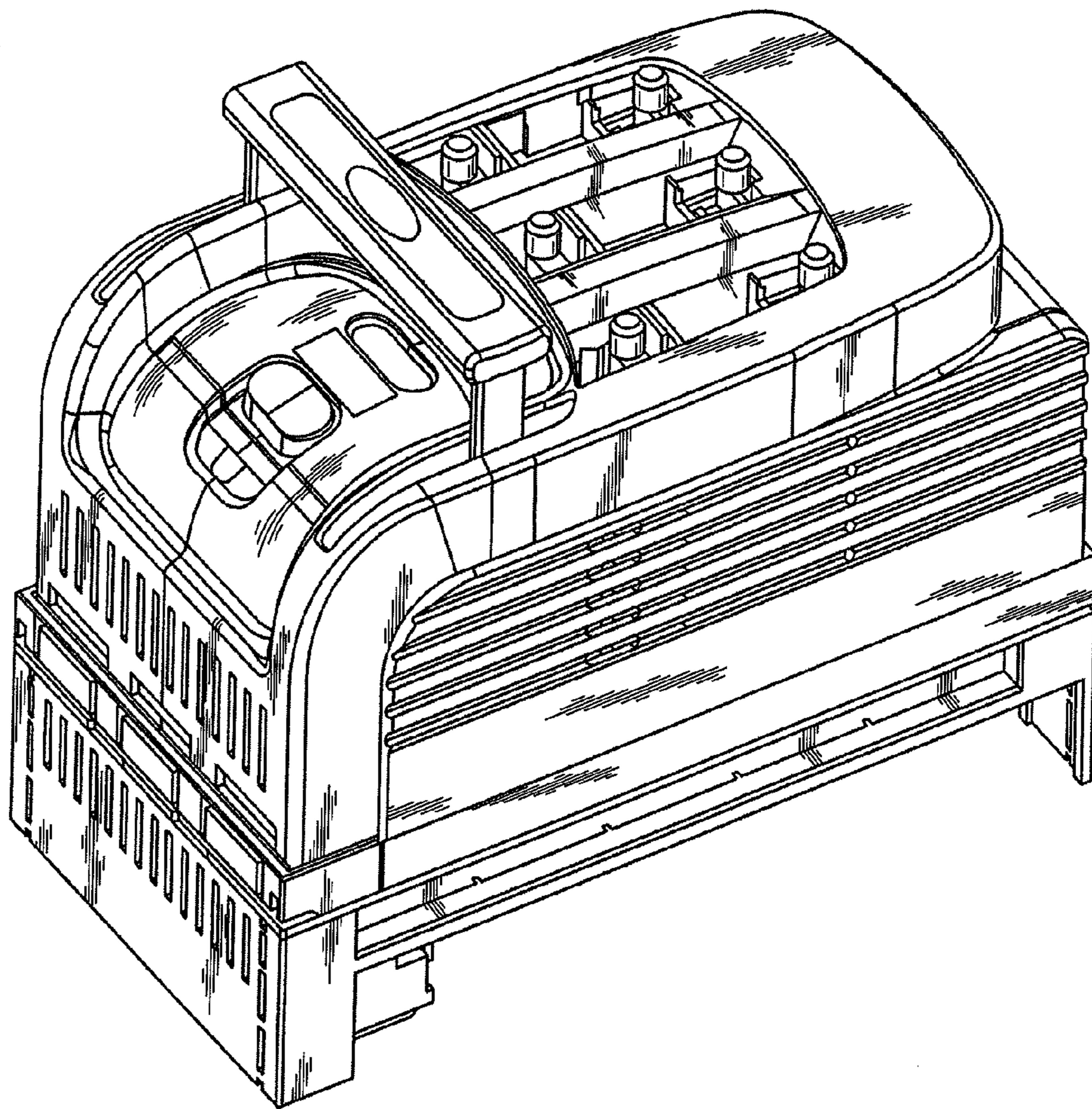


Fig. 1

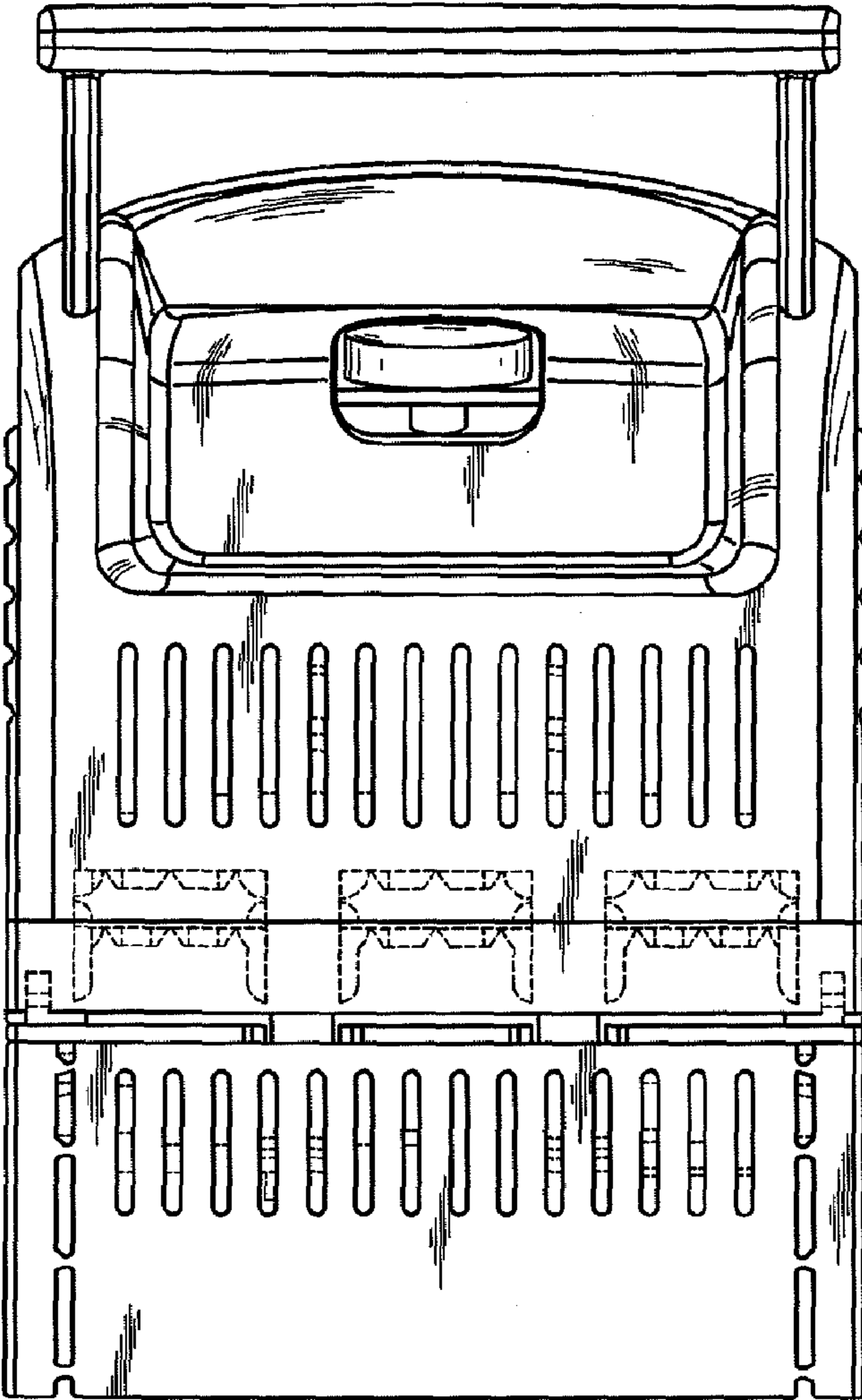


Fig. 2

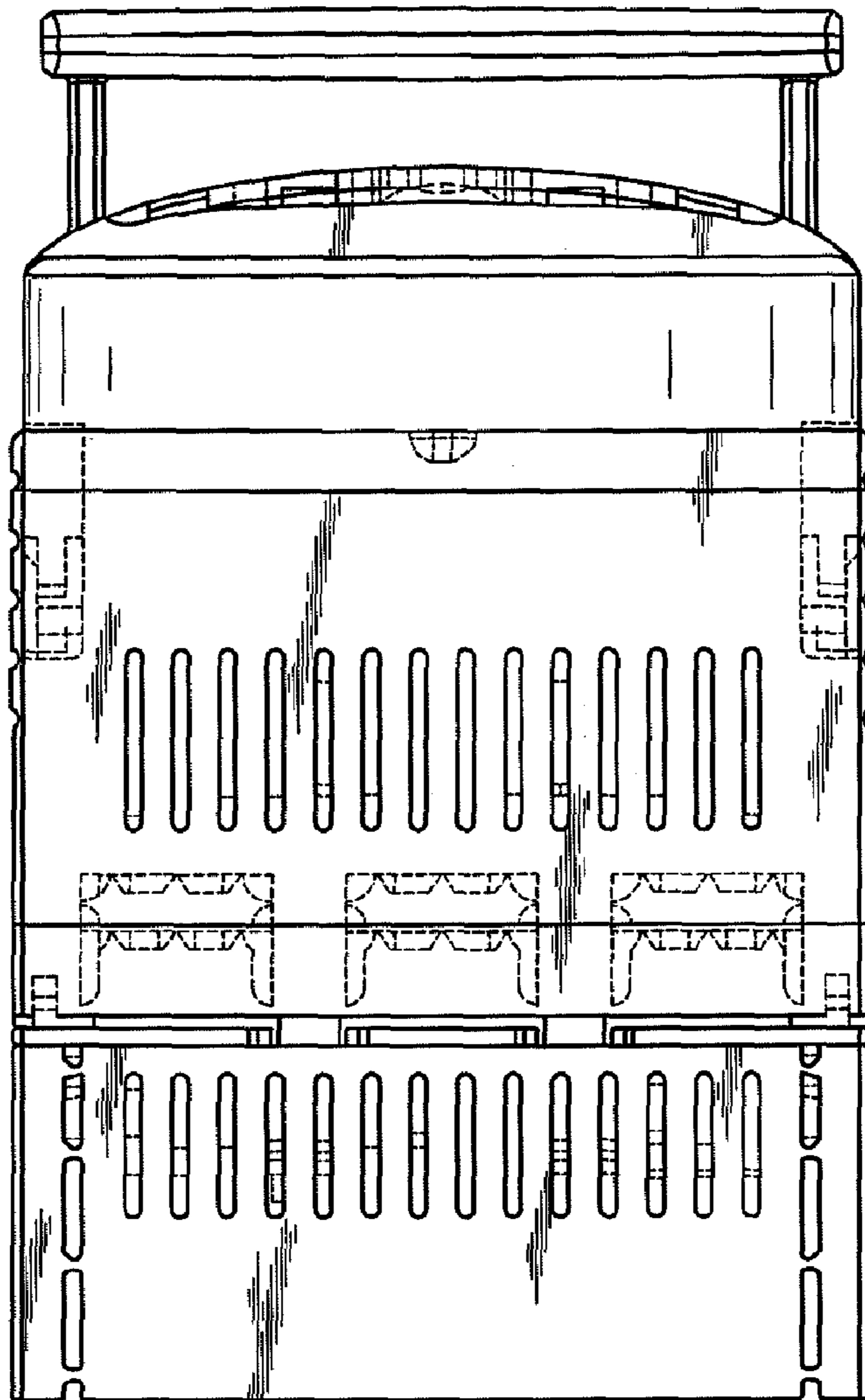


Fig. 3

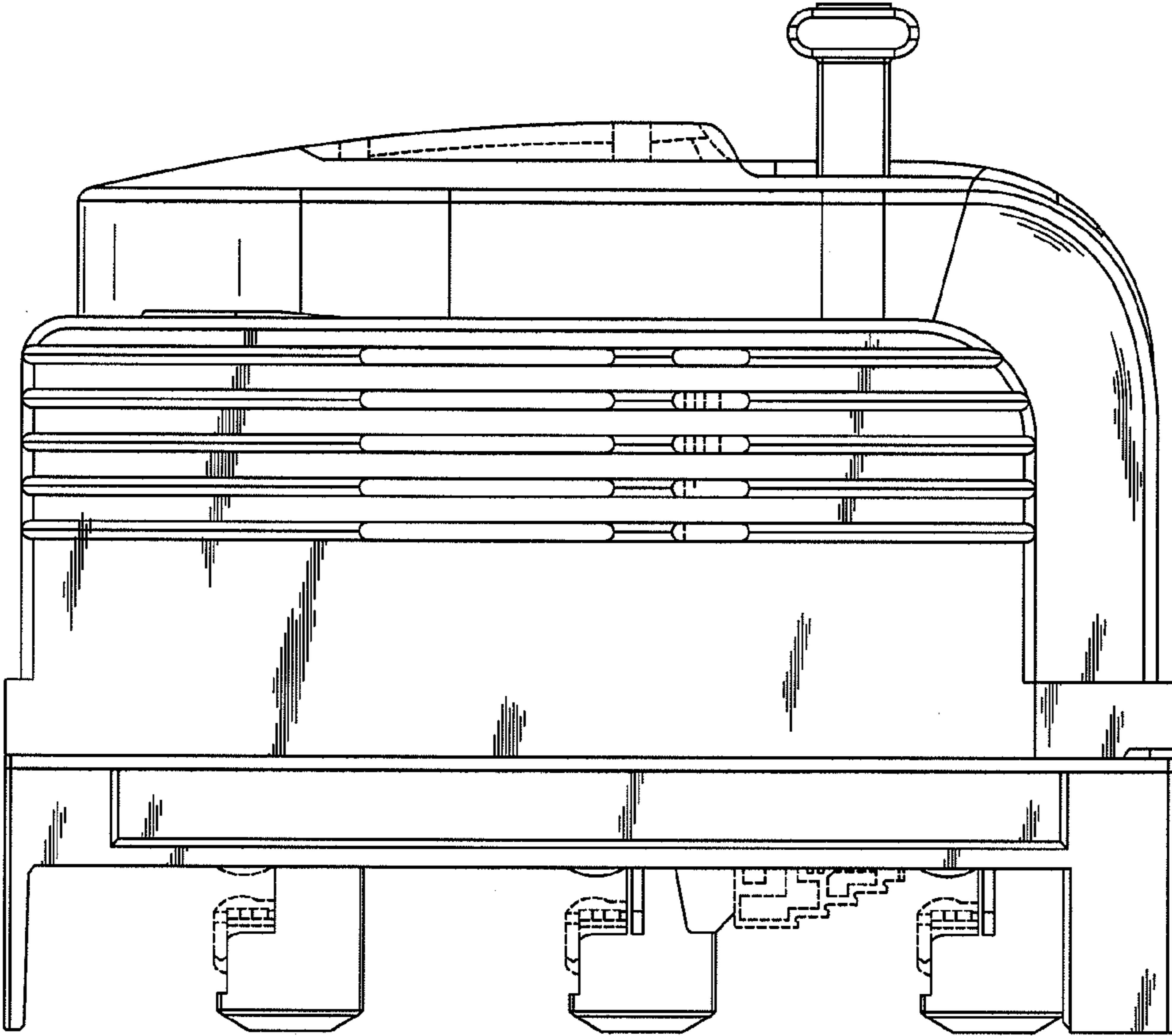


Fig. 4

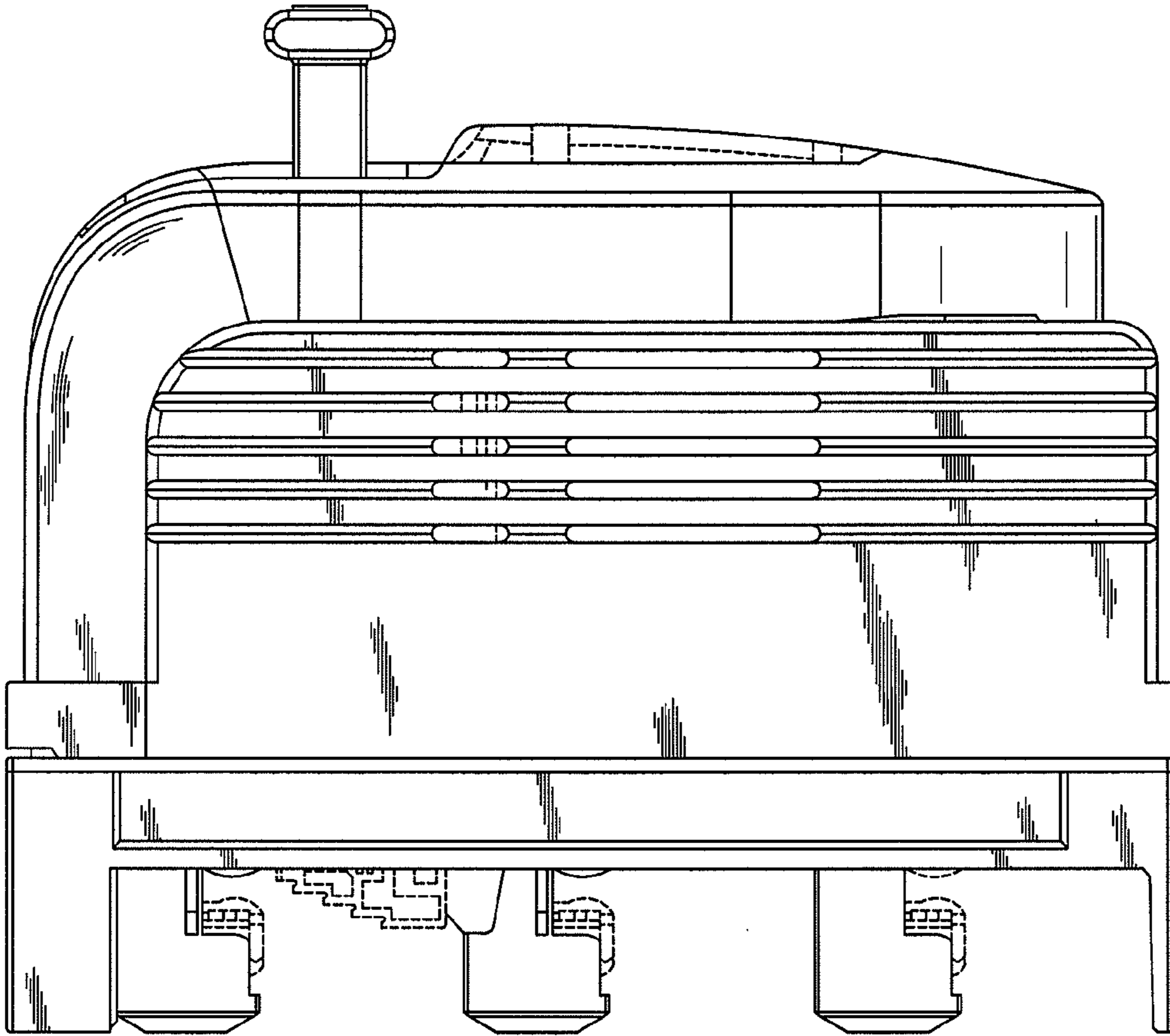


Fig. 5

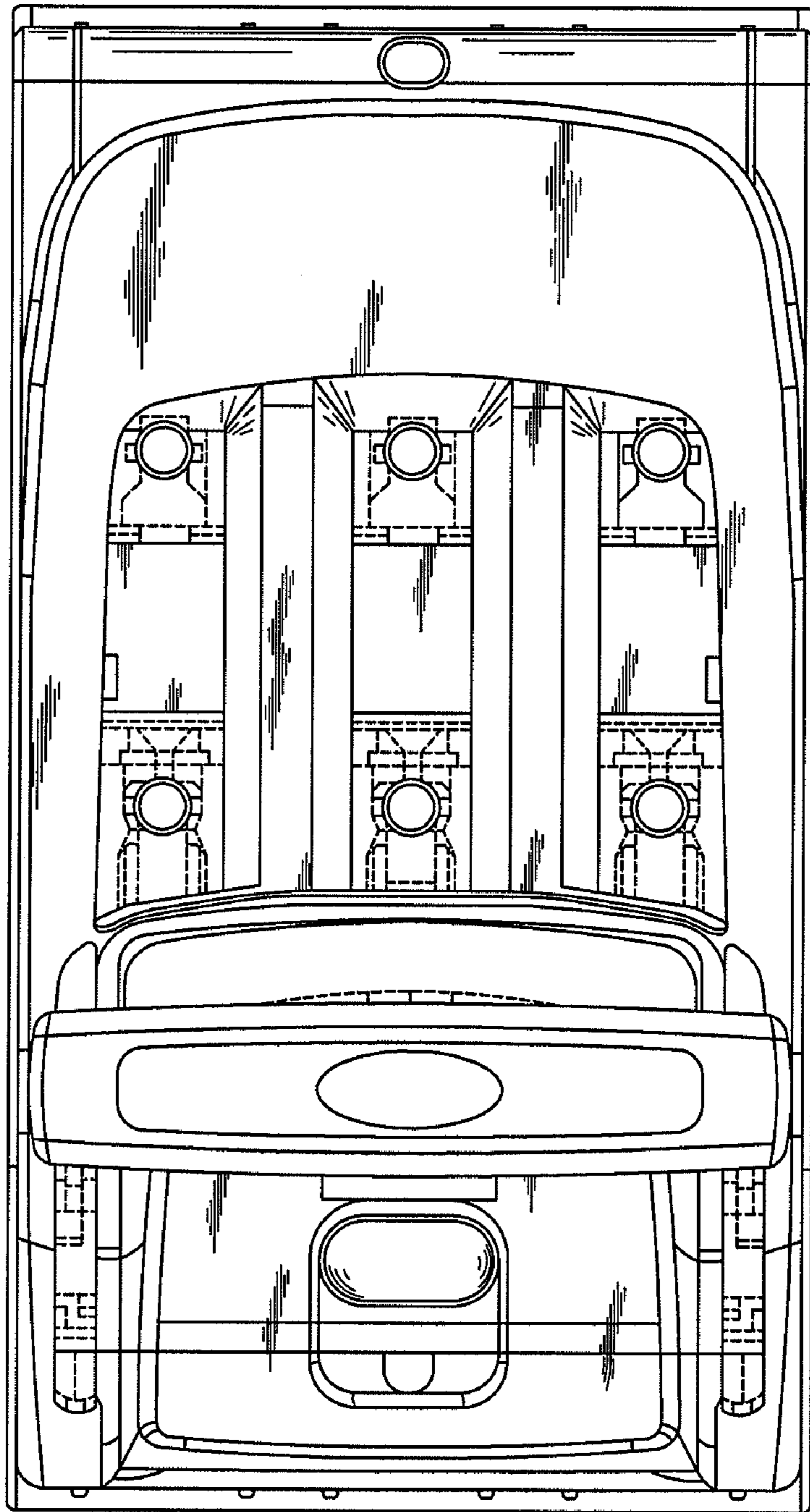


Fig. 6

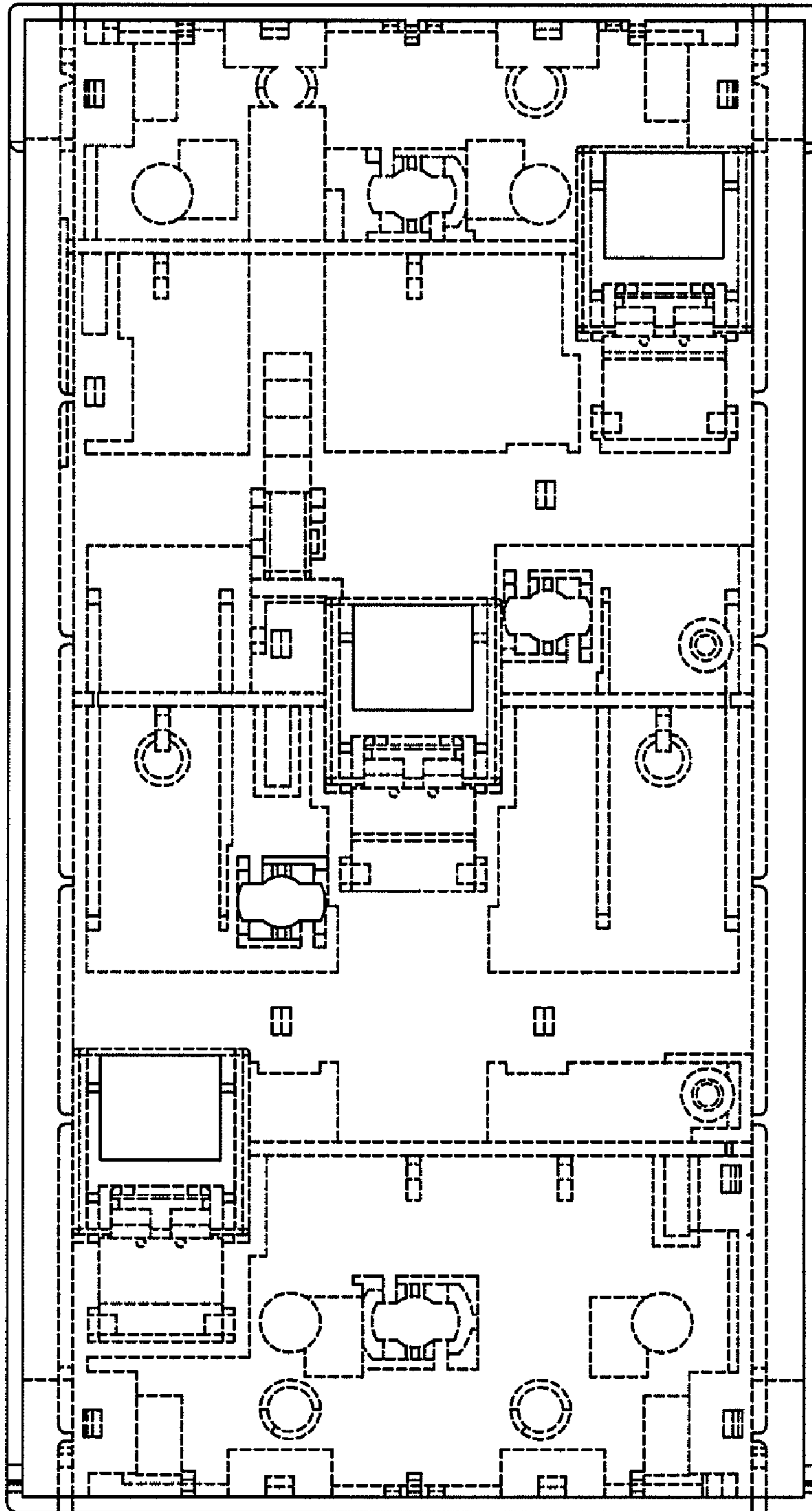


Fig. 7