



US00D624507S

(12) **United States Design Patent**
Yotsutani

(10) **Patent No.:** **US D624,507 S**
(45) **Date of Patent:** **** Sep. 28, 2010**

(54) **ELECTRIC CONNECTOR**

(75) Inventor: **Kenichi Yotsutani**, Machida (JP)

(73) Assignee: **I-PEX Co., Ltd.**, Machida-shi (JP)

(**) Term: **14 Years**

(21) Appl. No.: **29/356,217**

(22) Filed: **Feb. 22, 2010**

(30) **Foreign Application Priority Data**

Nov. 9, 2009 (JP) 2009-026152

(51) **LOC (9) Cl.** **13-03**

(52) **U.S. Cl.** **D13/147**

(58) **Field of Classification Search** D13/146–147,
D13/154, 156, 184; 439/159–160, 260, 325,
439/329, 395, 492, 495, 607.01, 607.04,
439/607.05, 607.17, 607.25, 607.34, 607.41,
439/607.53, 630

See application file for complete search history.

(56) **References Cited**

U.S. PATENT DOCUMENTS

D489,335 S * 5/2004 Ko D13/147
D608,290 S * 1/2010 Ikari D13/147
D608,291 S * 1/2010 Ikari D13/147
D609,187 S * 2/2010 Hamauchi D13/147

FOREIGN PATENT DOCUMENTS

JP D1277615 7/2006
JP D1344943 11/2008

OTHER PUBLICATIONS

U.S. Appl. No. 29/341,868, filed Aug. 13, 2009, Yotsutani.
U.S. Appl. No. 29/341,872, filed Aug. 13, 2009, Yotsutani.
U.S. Appl. No. 29/356,142, filed Feb. 19, 2010, Yotsutani.
U.S. Appl. No. 29/356,136, filed Feb. 19, 2010, Yotsutani.
U.S. Appl. No. 28/356,217, filed Feb. 22, 2010, Yotsutani.

* cited by examiner

Primary Examiner—Daniel D Bui

(74) *Attorney, Agent, or Firm*—Oblon, Spivak, McClelland,
Maier & Neustadt, L.L.P.

(57) **CLAIM**

The ornamental design for an electric connector, as shown
and described.

DESCRIPTION

FIG. 1 is a front elevational view of an electric connector
showing my new design;

FIG. 2 is a top plan view thereof;

FIG. 3 is a rear elevational view thereof;

FIG. 4 is a bottom plan view thereof;

FIG. 5 is a right side elevational view thereof on a larger scale;

FIG. 6 is a left side elevational view thereof on a larger scale;

FIG. 7 is an enlarged cross-sectional view taken along line
7—7 in FIG. 1;

FIG. 8 is an enlarged cross-sectional view taken along line
8—8 in FIG. 1;

FIG. 9 is a front, top, and right side perspective view thereof;

FIG. 10 is a front, bottom, and right side perspective view
thereof;

FIG. 11 is a front, top, and right side perspective view thereof,
in a use condition coupled with cables for signal transmis-
sion;

FIG. 12 is a front, bottom, and right side perspective view
thereof, in a use condition; and,

FIG. 13 is a front, top, and right side perspective view thereof,
in a use condition.

The broken lines in the drawings depict environmental sub-
ject matter only and form no part of the claimed design.

1 Claim, 12 Drawing Sheets

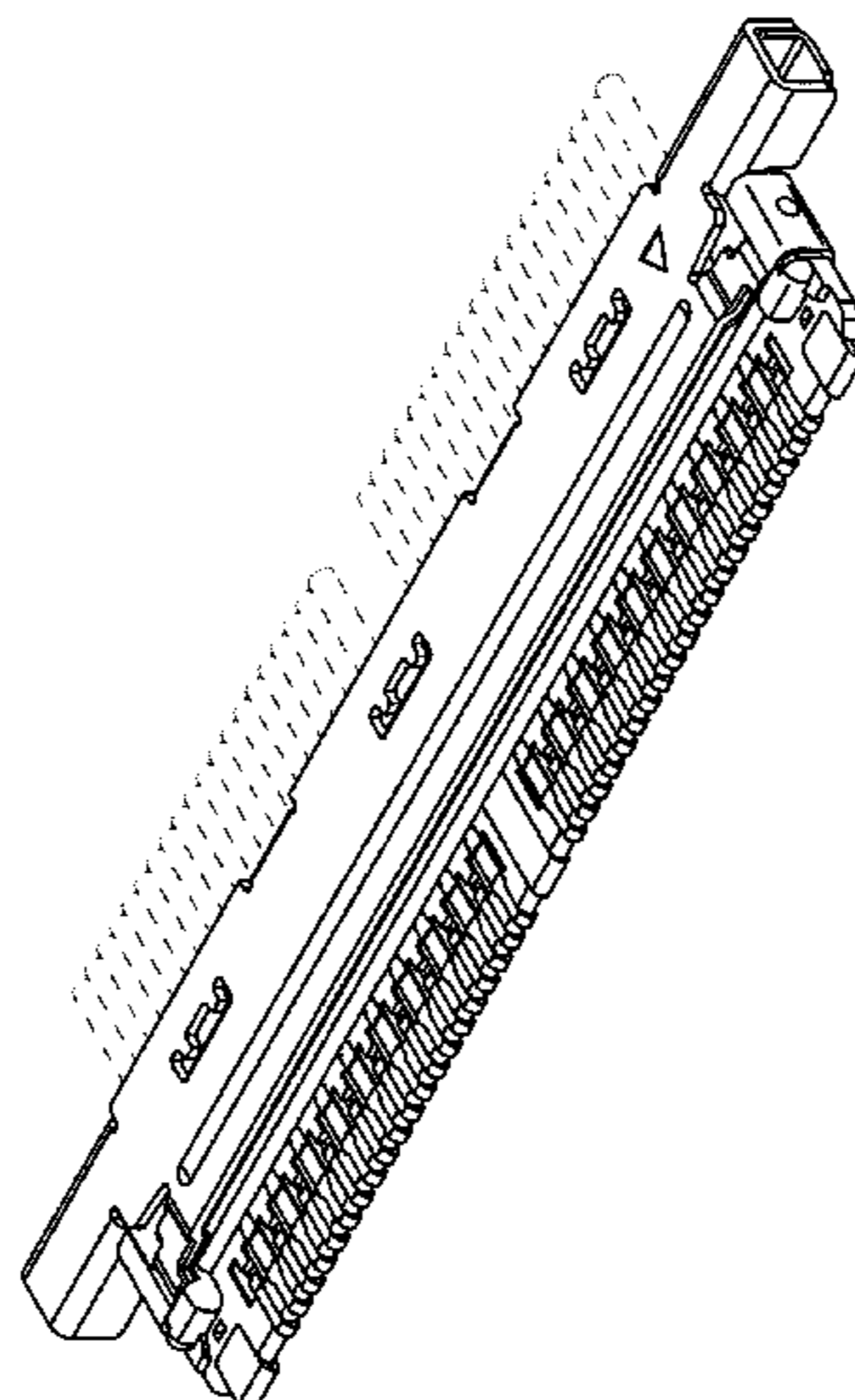


FIG. 1

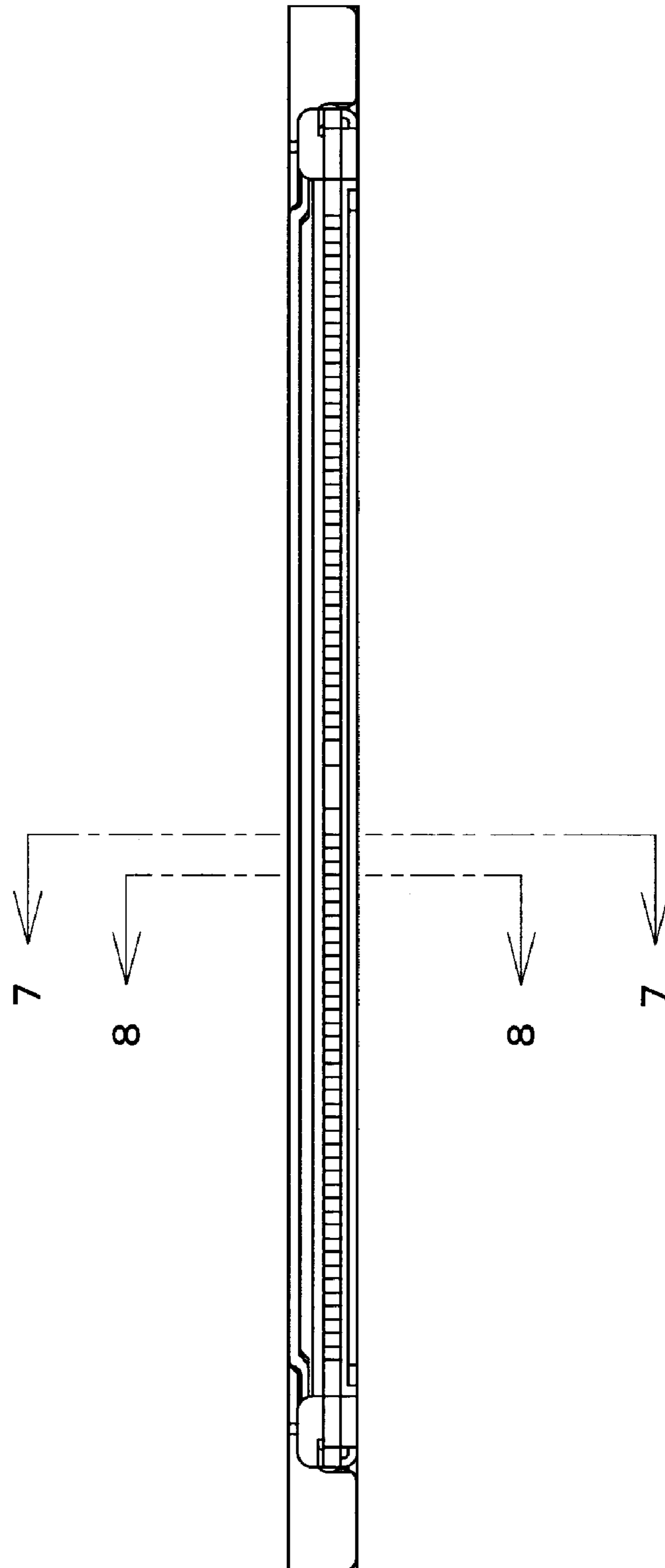


FIG. 2

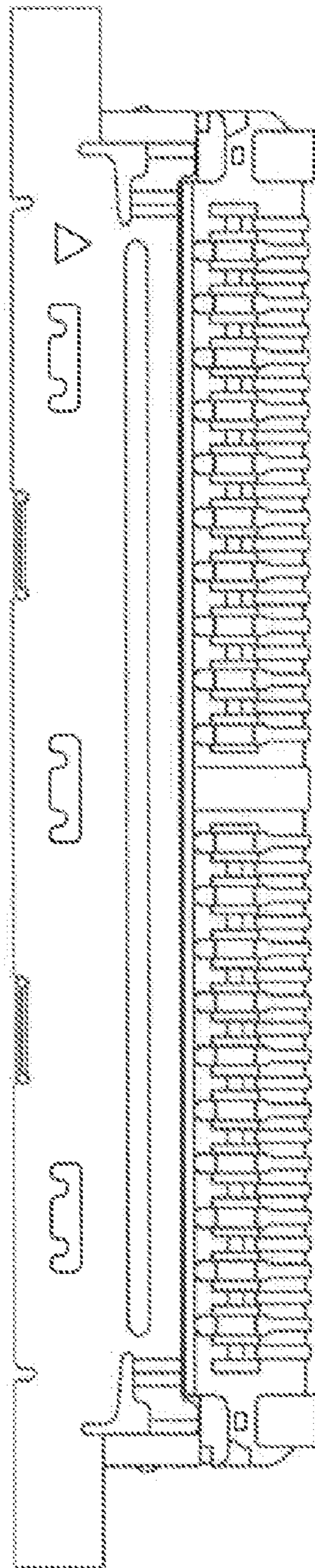


FIG. 3

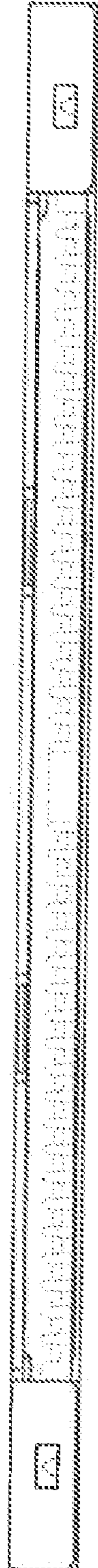


FIG. 4

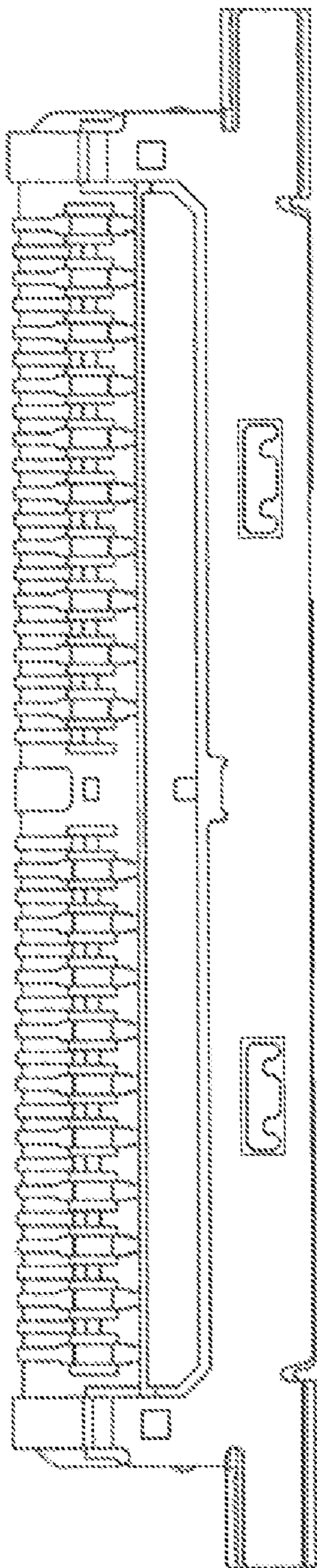


FIG. 5

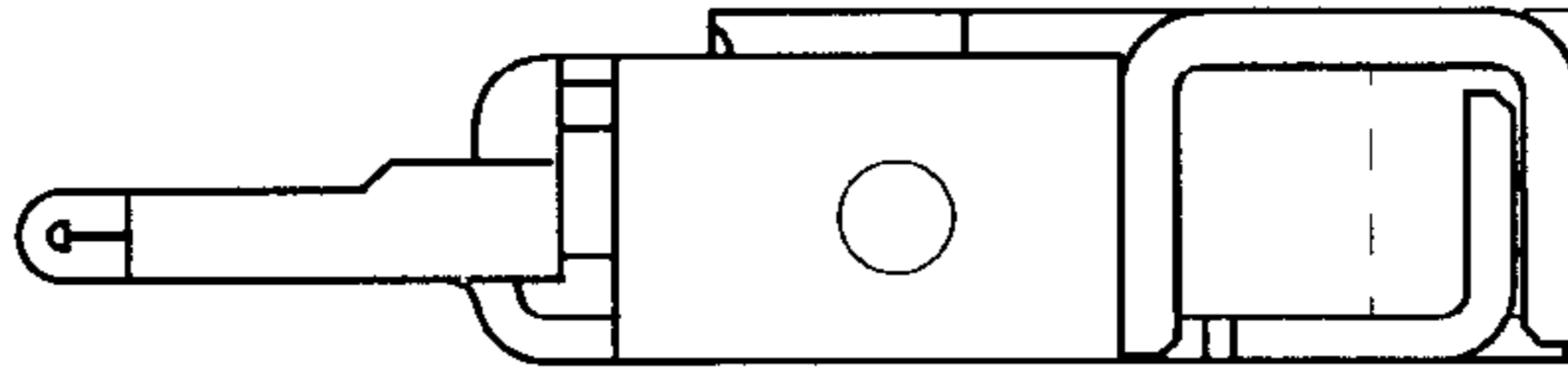


FIG. 6

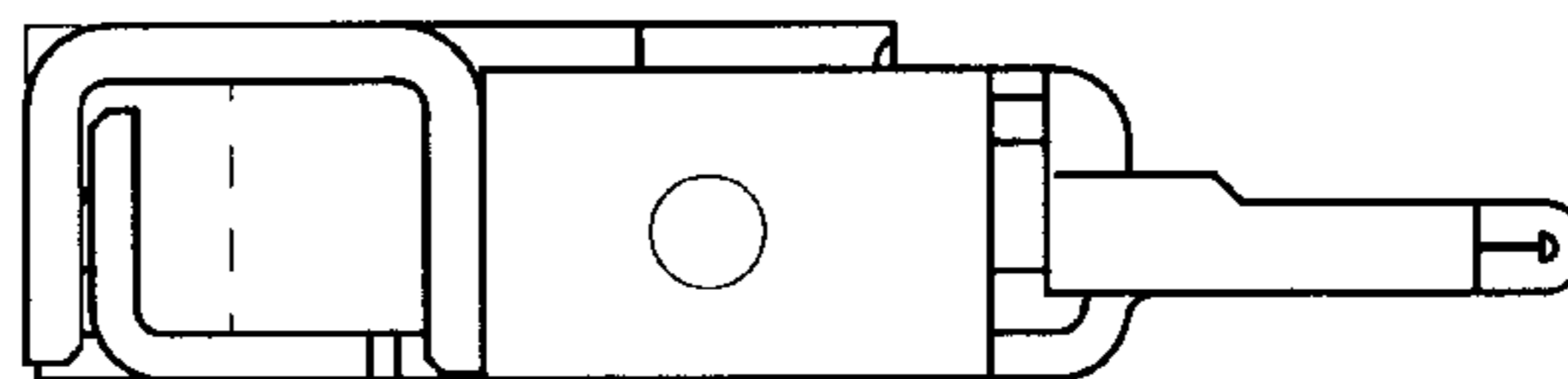


FIG. 7

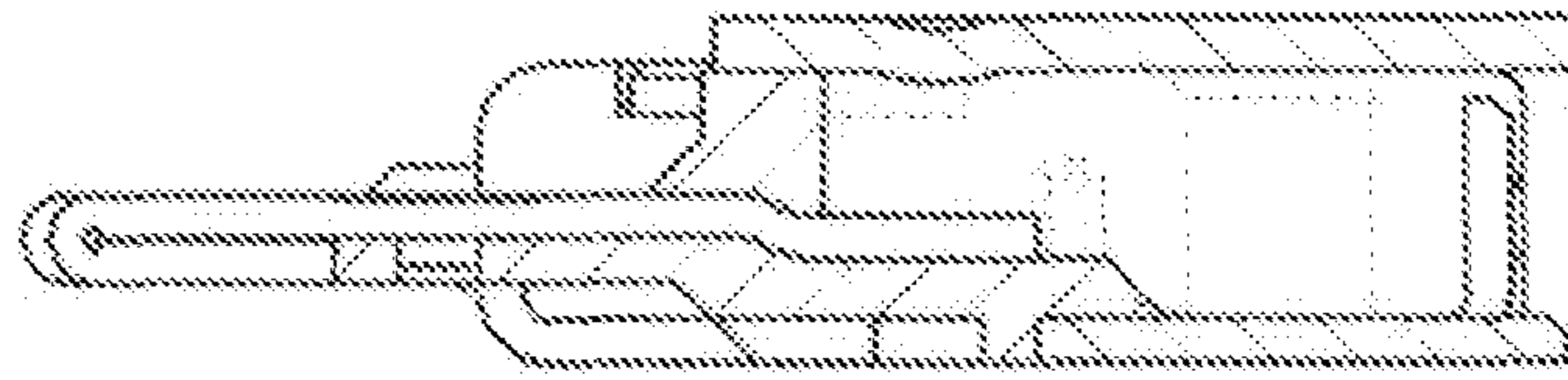


FIG. 8

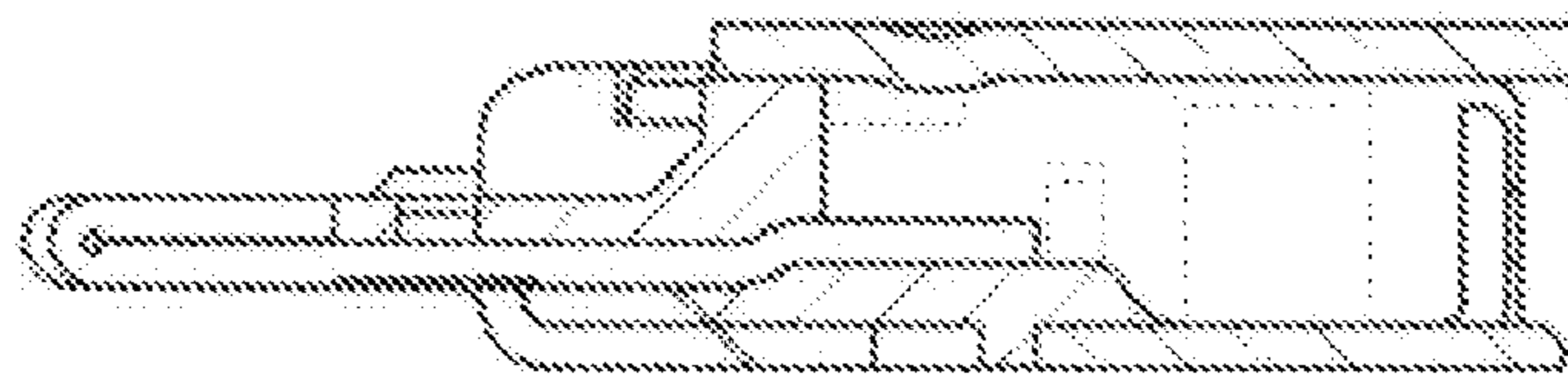


FIG. 9

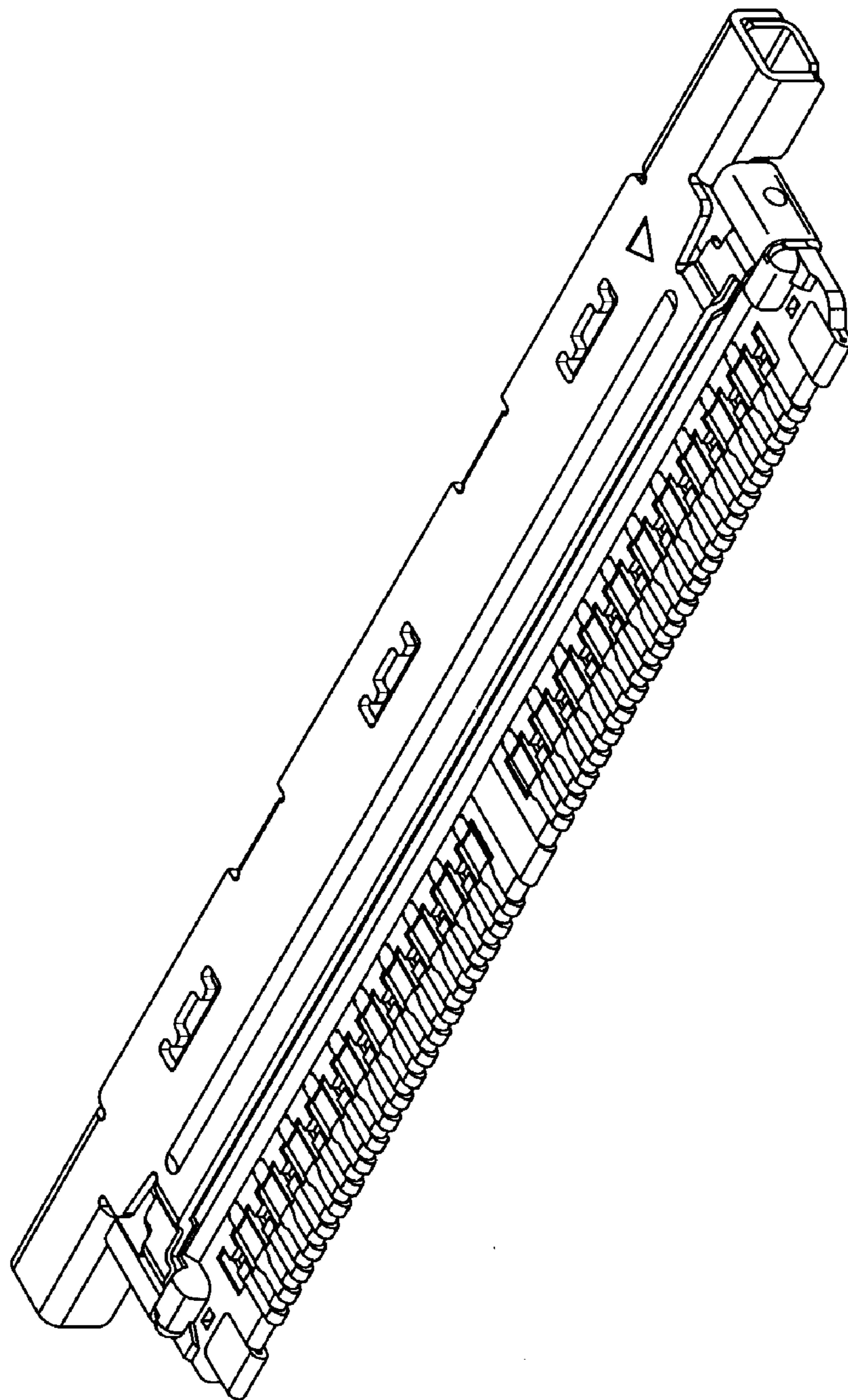


FIG. 10

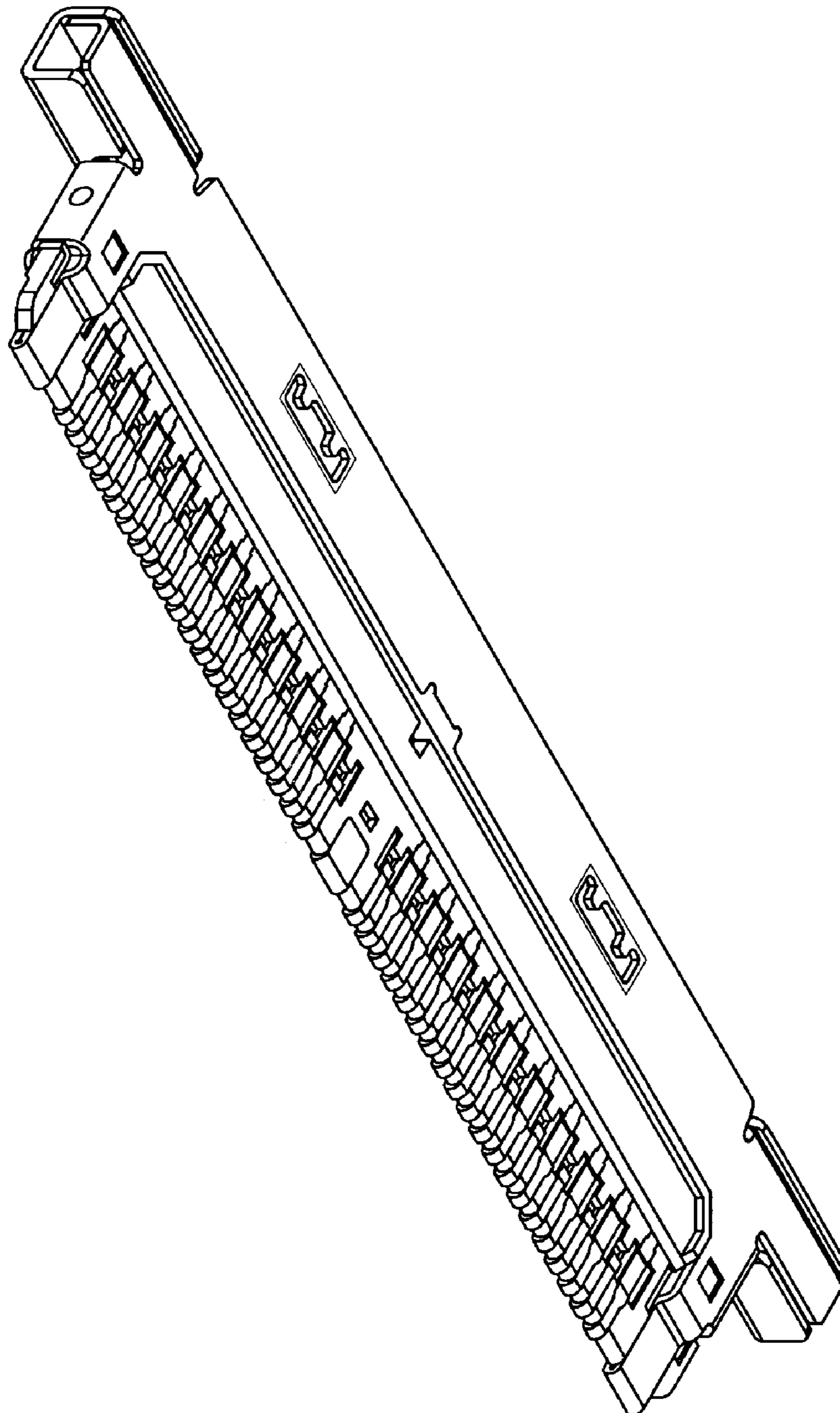


FIG. 11

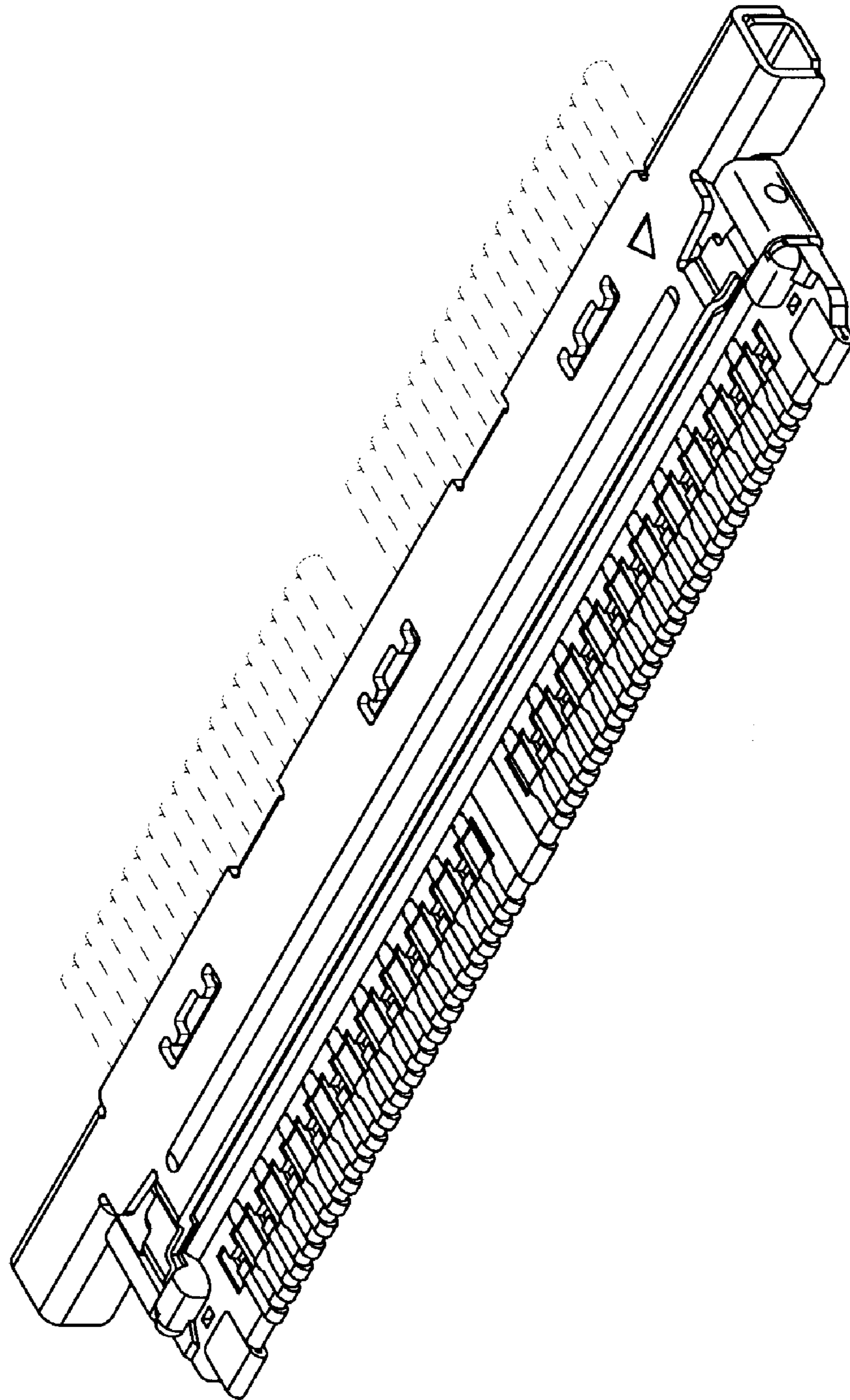
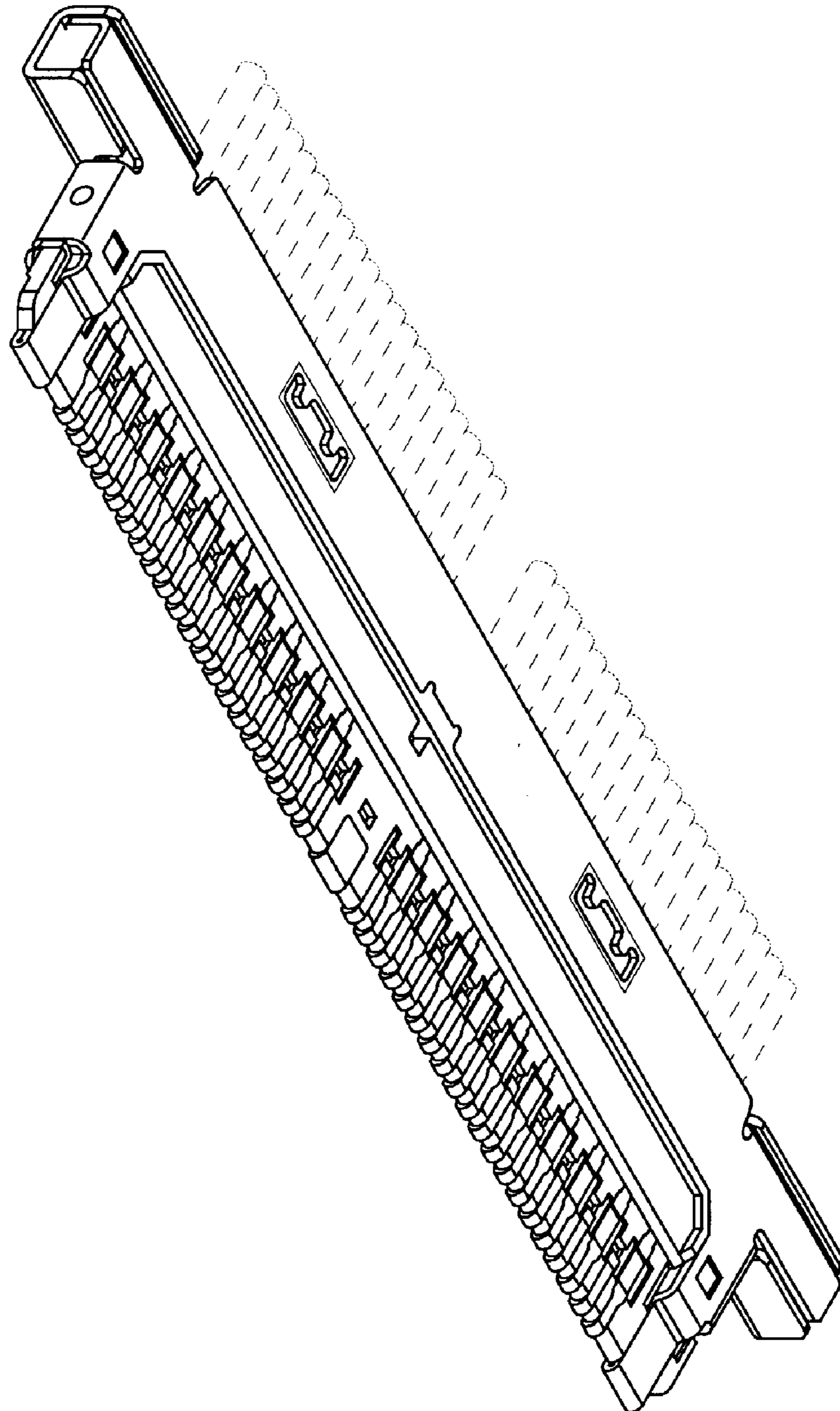


FIG. 12



F I G . 1 3

