



US00D624506S

(12) **United States Design Patent**
Yotsutani

(10) **Patent No.:** **US D624,506 S**
(45) **Date of Patent:** **** Sep. 28, 2010**

(54) **ELECTRIC CONNECTOR**

(75) Inventor: **Kenichi Yotsutani**, Machida (JP)

(73) Assignee: **I-PEX Co., Ltd.**, Tokyo (JP)

(**) Term: **14 Years**

(21) Appl. No.: **29/356,136**

(22) Filed: **Feb. 19, 2010**

(30) **Foreign Application Priority Data**

Nov. 9, 2009 (JP) 2009-026153

(51) **LOC (9) Cl.** **13-03**

(52) **U.S. Cl.** **D13/147**

(58) **Field of Classification Search** D13/146-147,
D13/154, 156, 184; 439/159-160, 260, 325,
439/329, 395, 492, 495, 607.01, 607.04,
439/607.05, 607.17, 607.25, 607.34, 607.41,
439/607.53, 630

See application file for complete search history.

(56) **References Cited**

U.S. PATENT DOCUMENTS

D597,488 S * 8/2009 Kikuchi et al. D13/147
D602,874 S * 10/2009 Tagawa et al. D13/147
D608,290 S * 1/2010 Ikari D13/147
D608,291 S * 1/2010 Ikari D13/147
D609,187 S * 2/2010 Hamauchi D13/147

FOREIGN PATENT DOCUMENTS

JP D1351217 2/2009

OTHER PUBLICATIONS

U.S. Appl. No. 29/341,868, filed Aug. 13, 2009, Yotsutani.
U.S. Appl. No. 29/341,872, filed Aug. 13, 2009, Yotsutani.
U.S. Appl. No. 29/356,142, filed Feb. 19, 2010, Yotsutani.
U.S. Appl. No. 29/356,136, filed Feb. 19, 2010, Yotsutani.
U.S. Appl. No. 28/356,217, filed Feb. 22, 2010, Yotsutani.

* cited by examiner

Primary Examiner—Daniel D Bui

(74) *Attorney, Agent, or Firm*—Oblon, Spivak, McClelland,
Maier & Neustadt, L.L.P.

(57) **CLAIM**

The ornamental design for an electric connector, as shown
and described.

DESCRIPTION

FIG. 1 is a front elevational view of an electric connector
showing my new design;

FIG. 2 is a top plan view thereof;

FIG. 3 is a rear elevational view thereof;

FIG. 4 is a bottom plan view thereof;

FIG. 5 is a right side elevational view thereof on a larger scale;

FIG. 6 is a left side elevational view thereof on a larger scale;

FIG. 7 is an enlarged cross-sectional view taken along line
7—7 in FIG. 1;

FIG. 8 is an enlarged cross-sectional view taken along line
8—8 in FIG. 1;

FIG. 9 is a front, top, and right side perspective view thereof;

FIG. 10 is a front, bottom, and right side perspective view
thereof;

FIG. 11 is a front, top, and right side perspective view thereof,
in a use condition;

FIG. 12 is a front, bottom, and right side perspective view
thereof, in a use condition coupled with cables for signal
transmission; and,

FIG. 13 is a front, top, and right side perspective view thereof,
in a use condition.

The broken lines in the drawings depict environmental sub-
ject matter only and form no part of the claimed design.

1 Claim, 11 Drawing Sheets

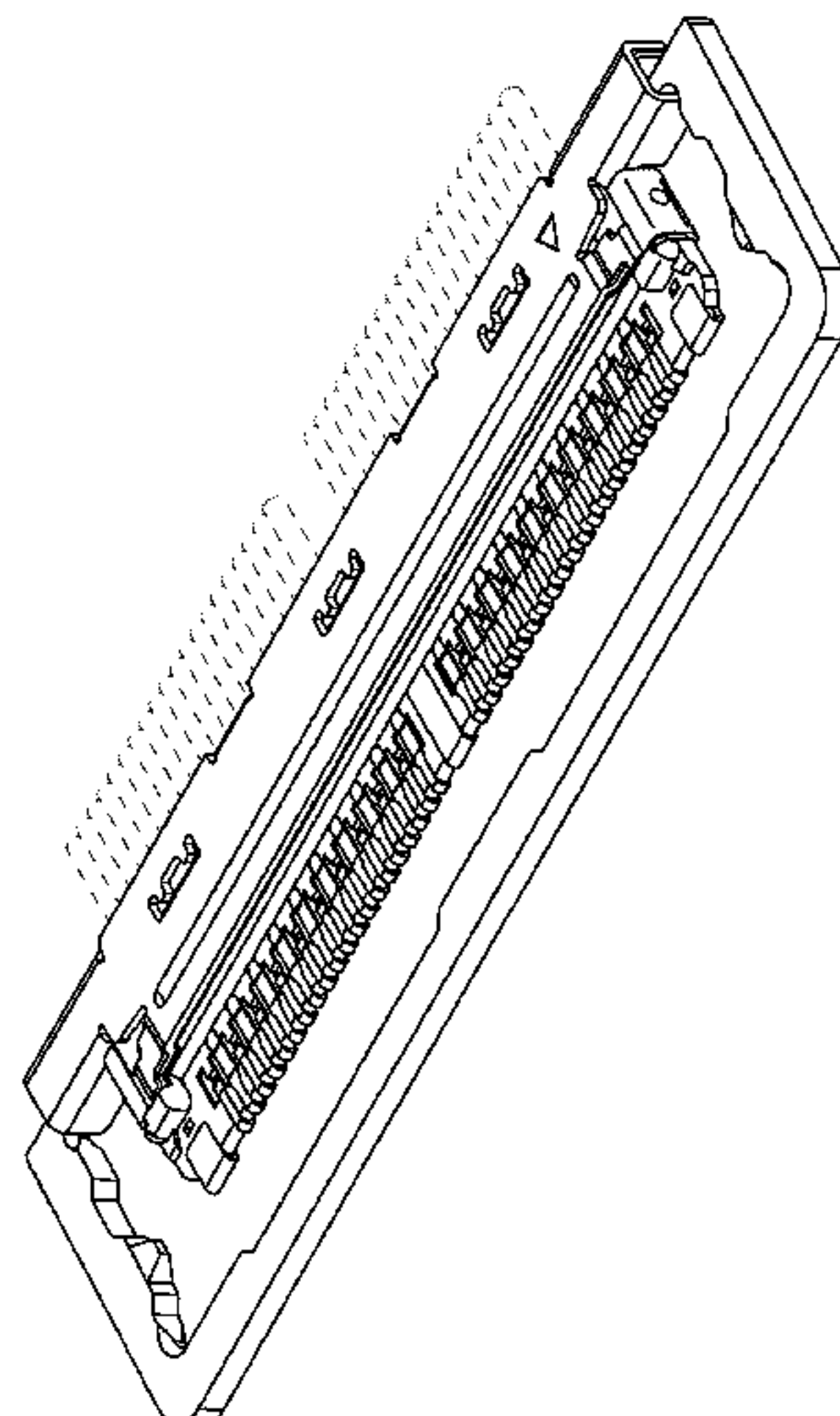


FIG. 1

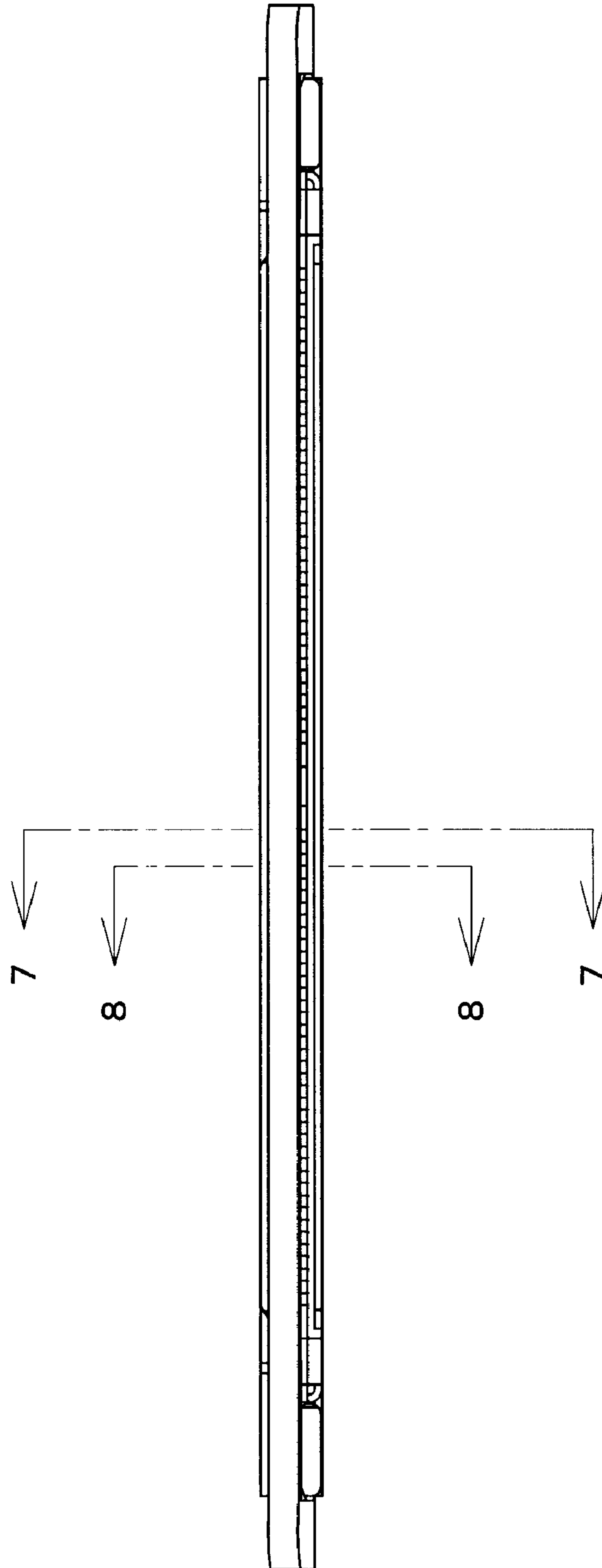


FIG. 2

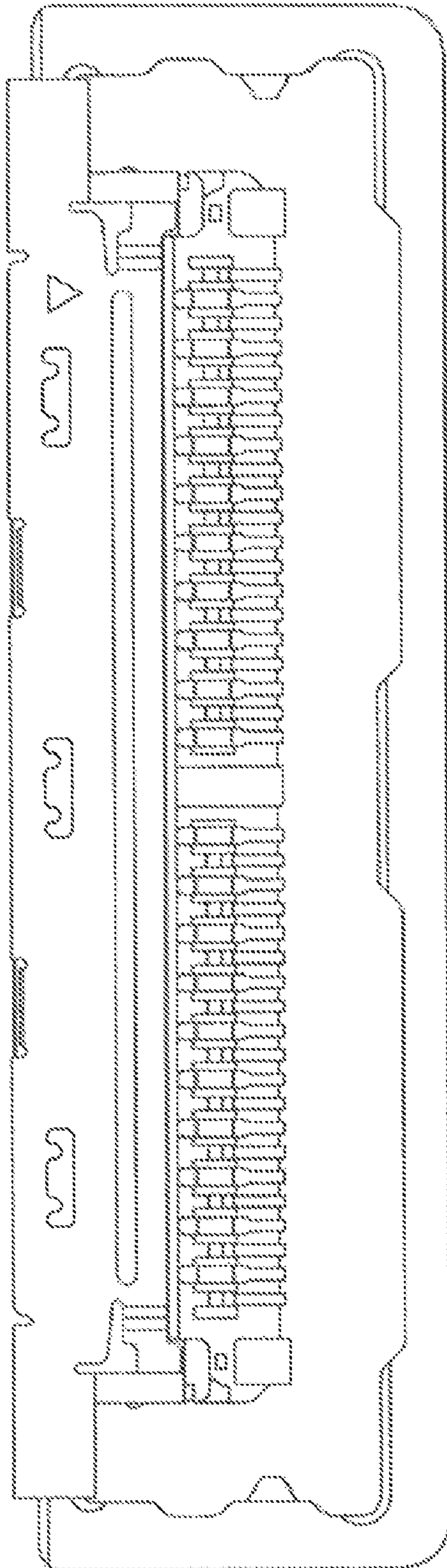


FIG. 3

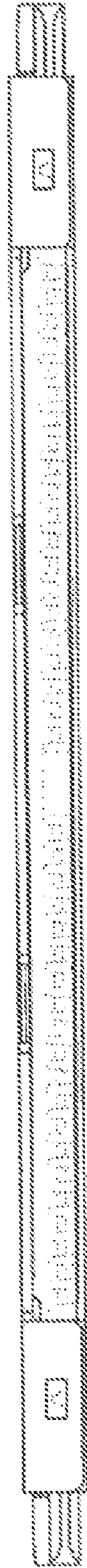


FIG. 4

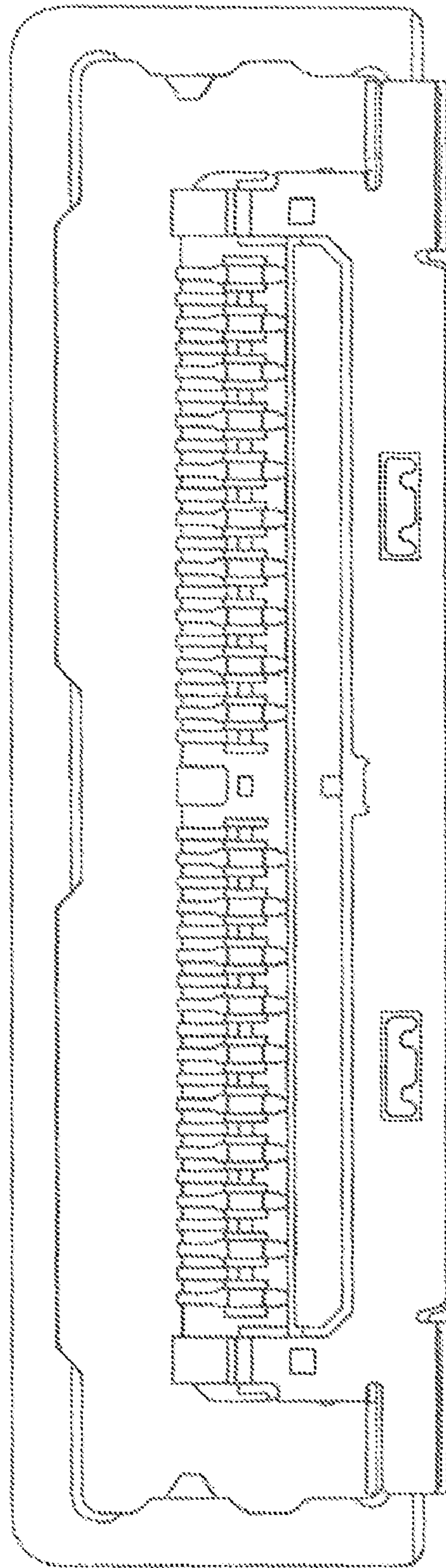


FIG. 5

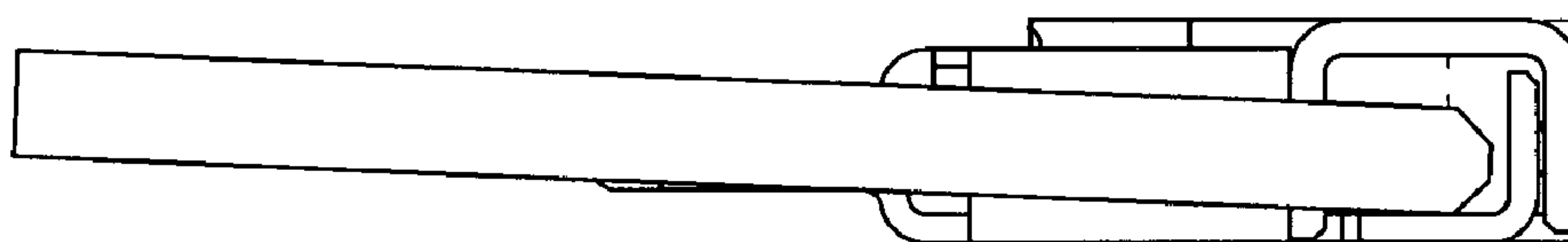


FIG. 6

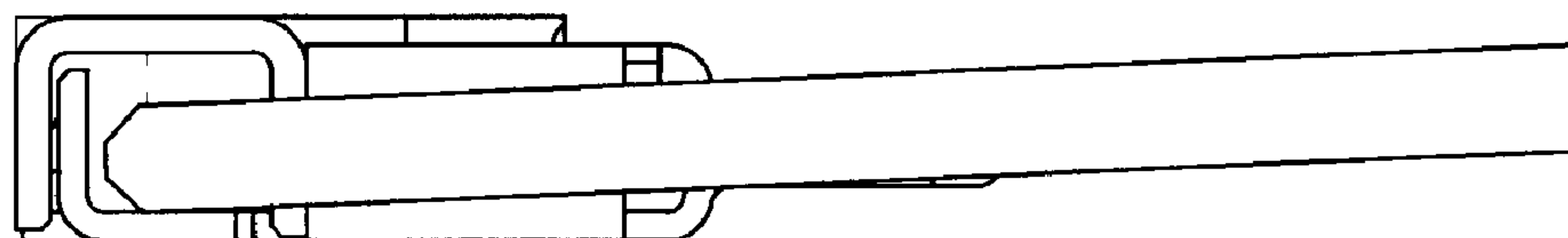


FIG. 7

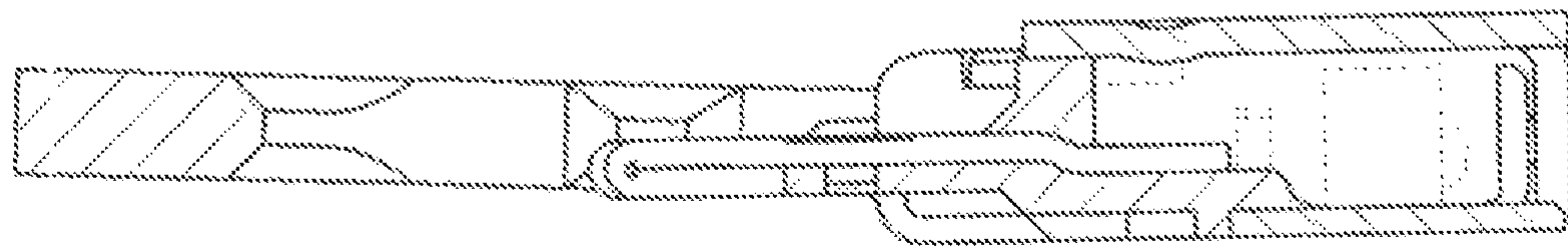


FIG. 8

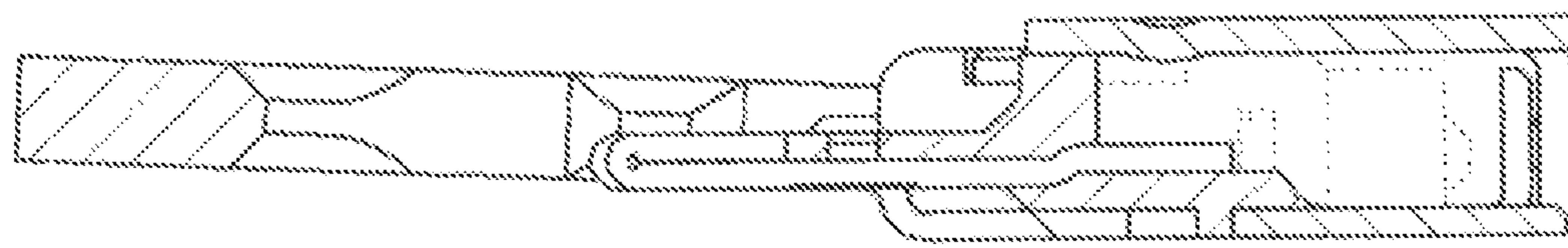


FIG. 9

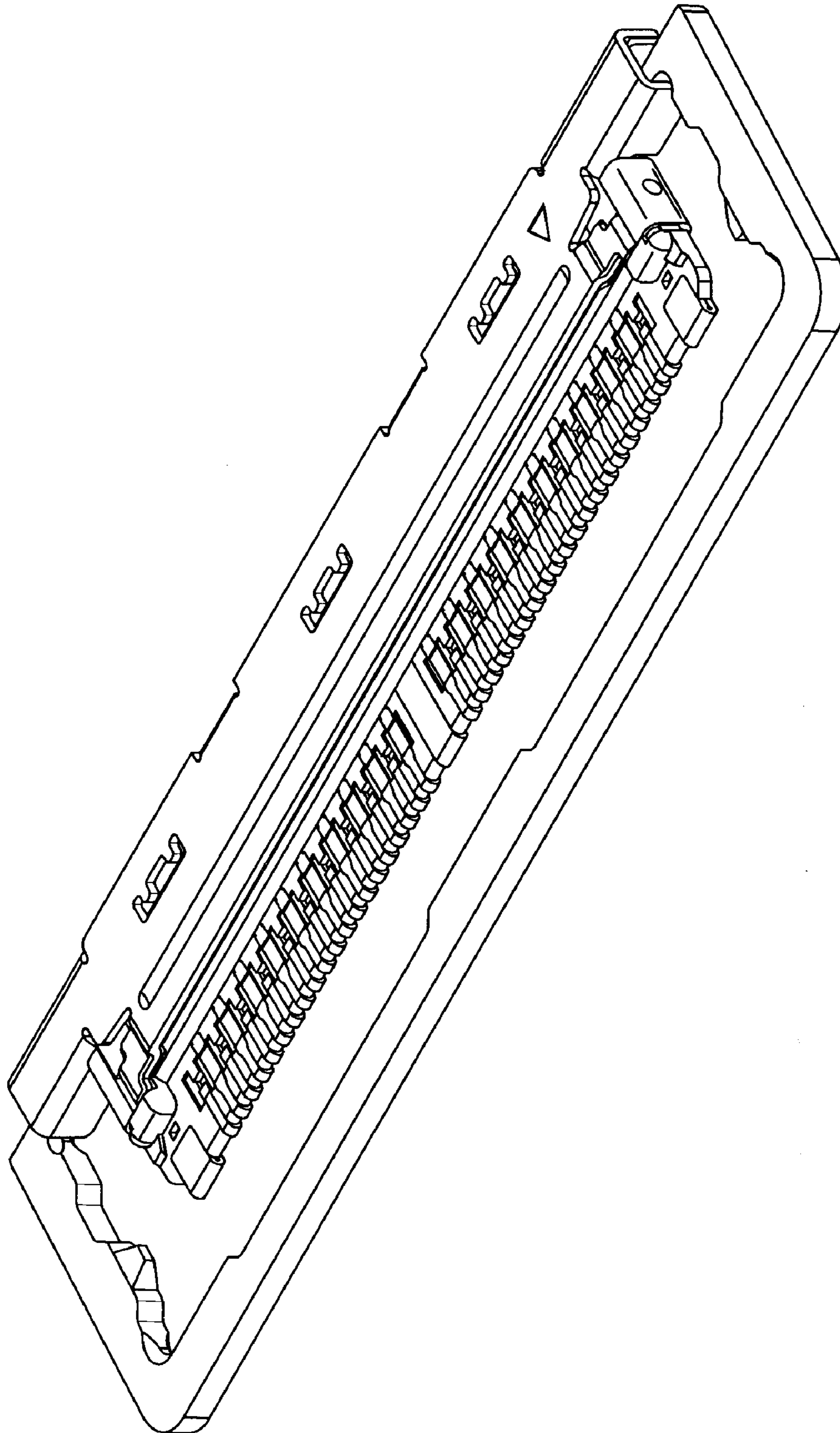


FIG. 10

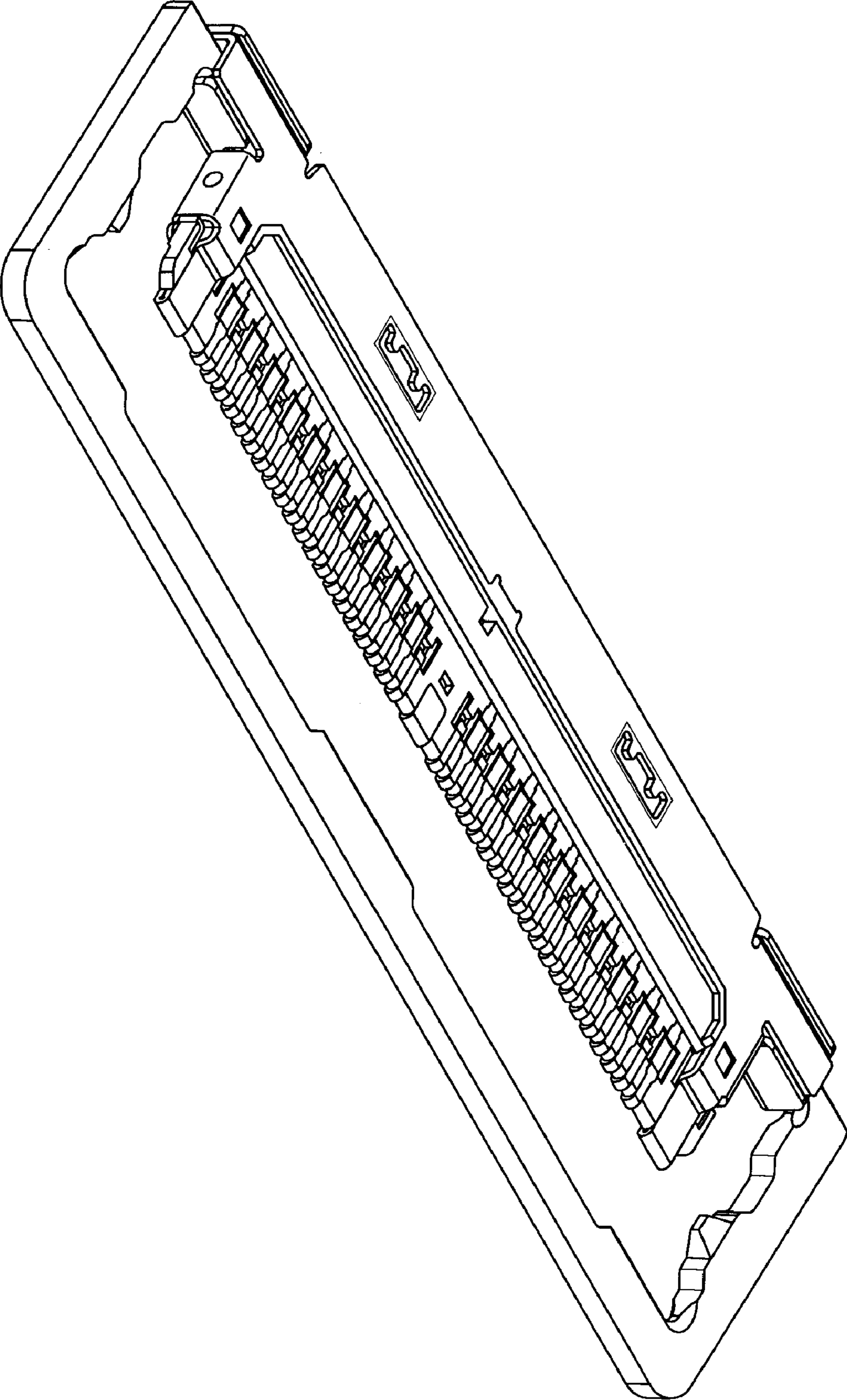


FIG. 11

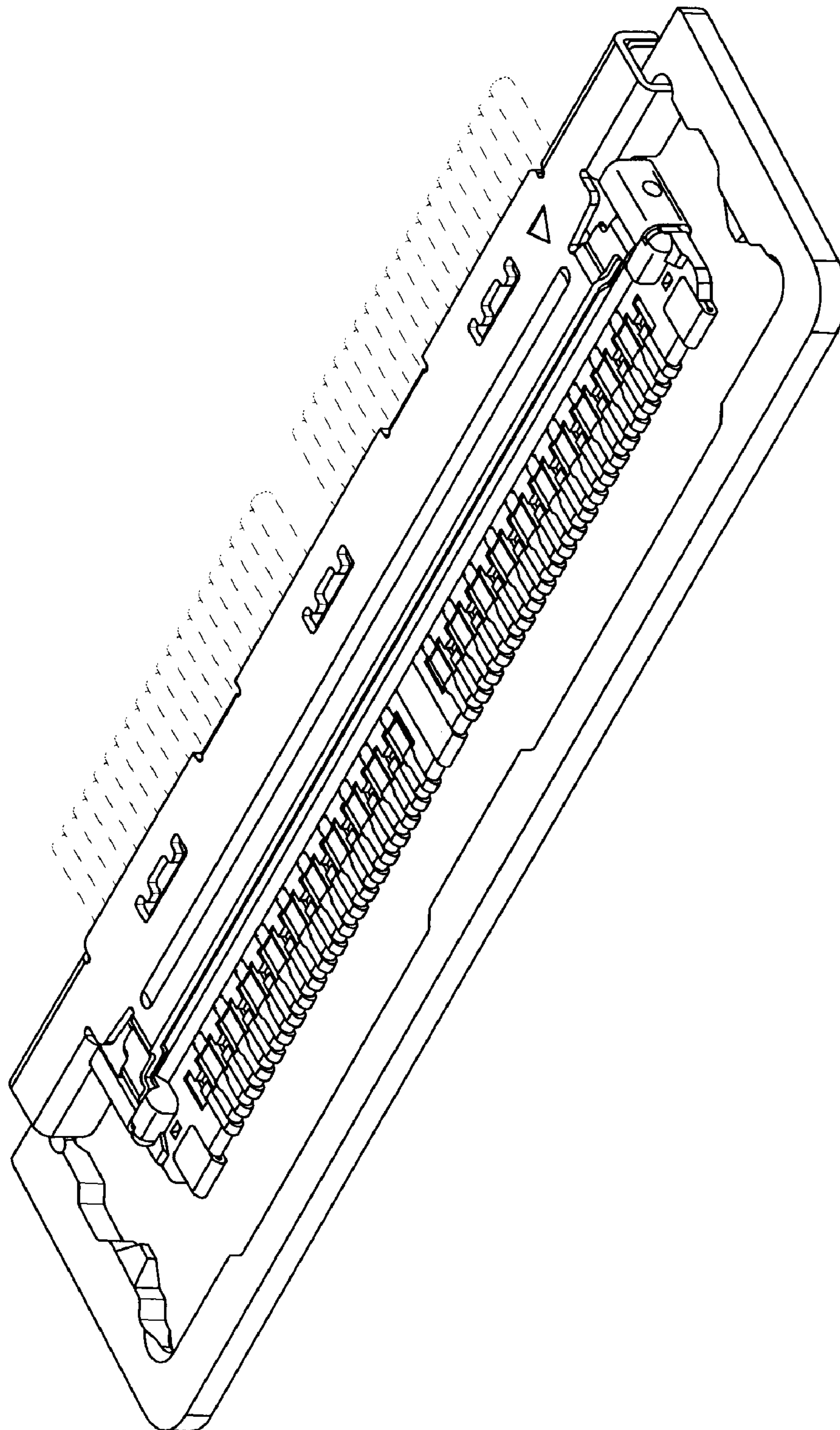


FIG. 12

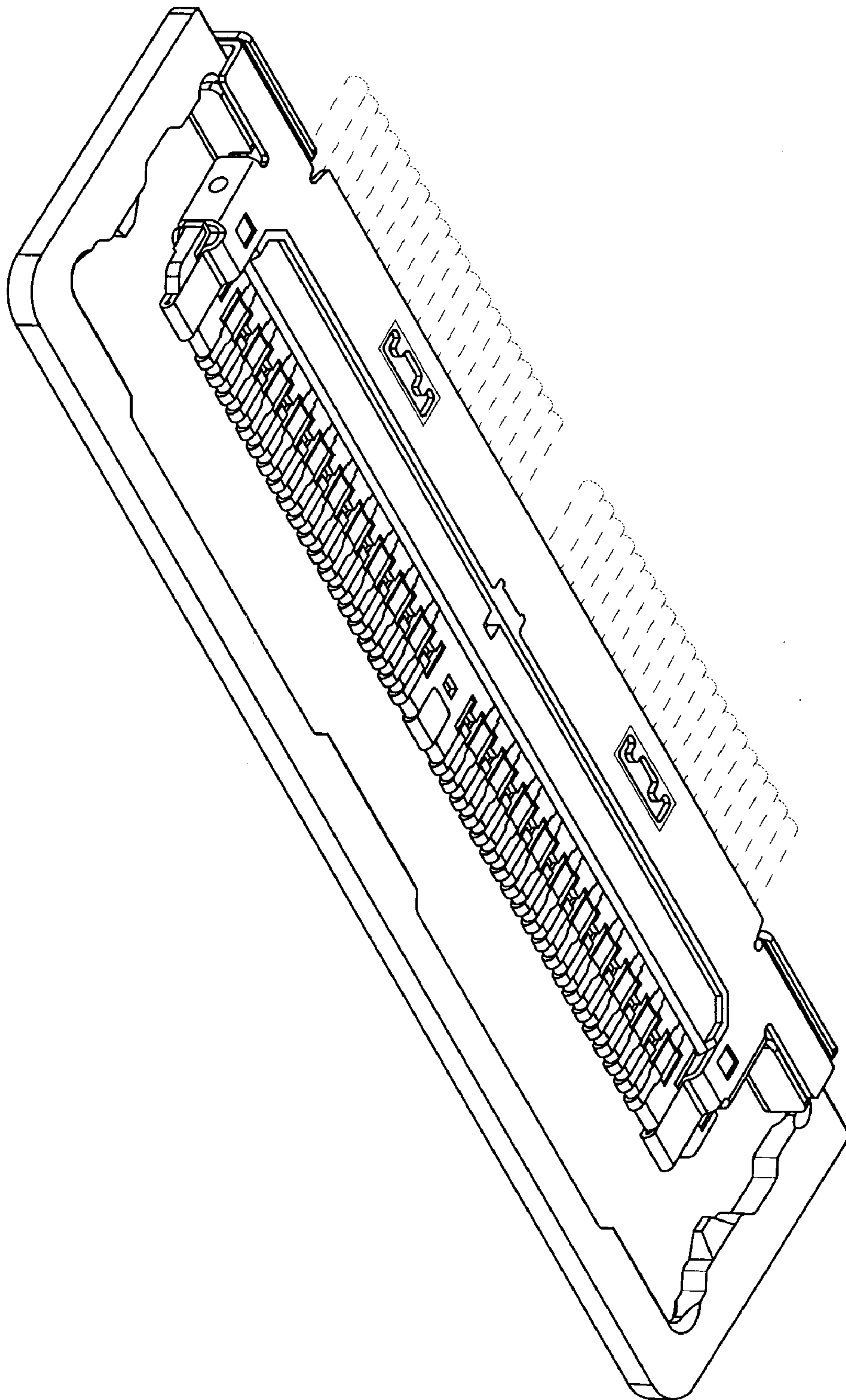
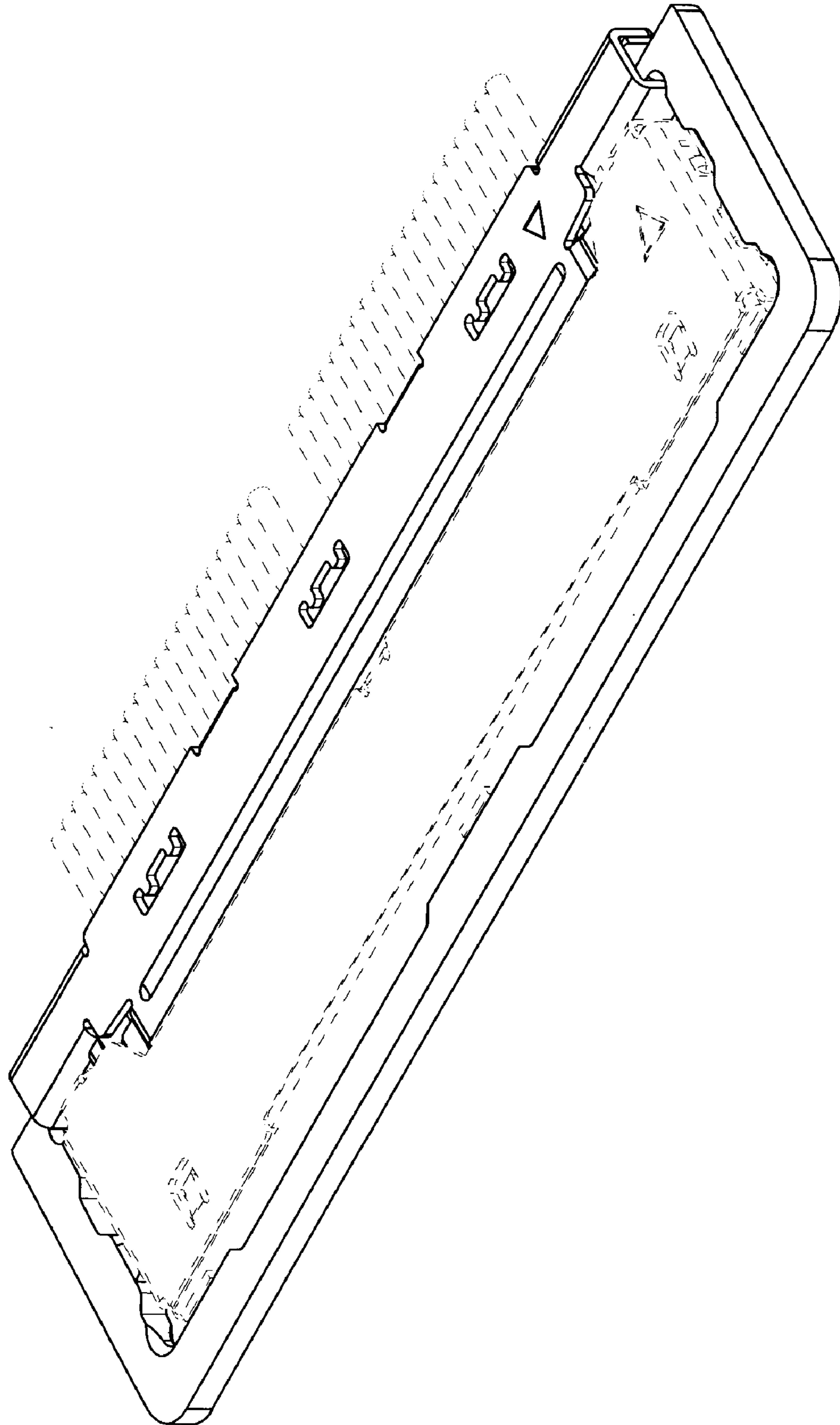


FIG. 13



UNITED STATES PATENT AND TRADEMARK OFFICE
CERTIFICATE OF CORRECTION

PATENT NO. : D624,506 S
APPLICATION NO. : 29/356136
DATED : September 28, 2010
INVENTOR(S) : Kenichi Yotsutani

Page 1 of 5

It is certified that error appears in the above-identified patent and that said Letters Patent is hereby corrected as shown below:

The low resolution drawings used for Figures 2, 3, 4, 7, and 8 in the Letters Patent should be replaced with the high resolution drawings for Figures 2, 3, 4, 7, and 8 submitted to the U.S. Patent and Trademark Office on August 25, 2010, which can be found in the Supplemental Content tab of the Office's Patent Application Information Retrieval system.

Signed and Sealed this
Twelfth Day of April, 2011

A handwritten signature in black ink that reads "David J. Kappos". The signature is written in a cursive style with a large initial "D" and "K".

David J. Kappos
Director of the United States Patent and Trademark Office

FIG. 2

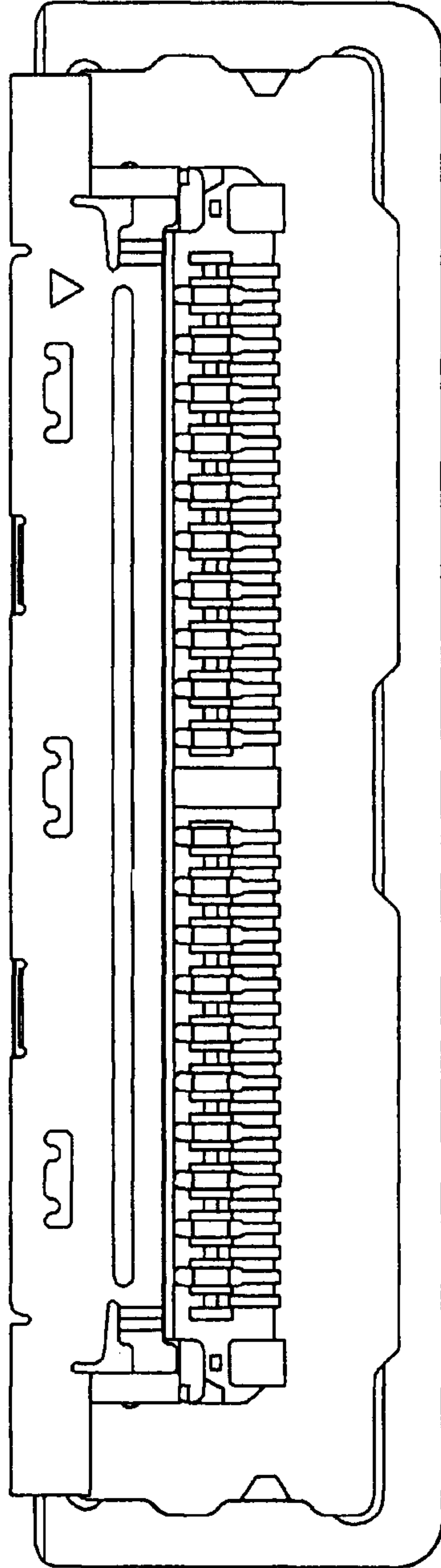


FIG. 3



FIG. 4

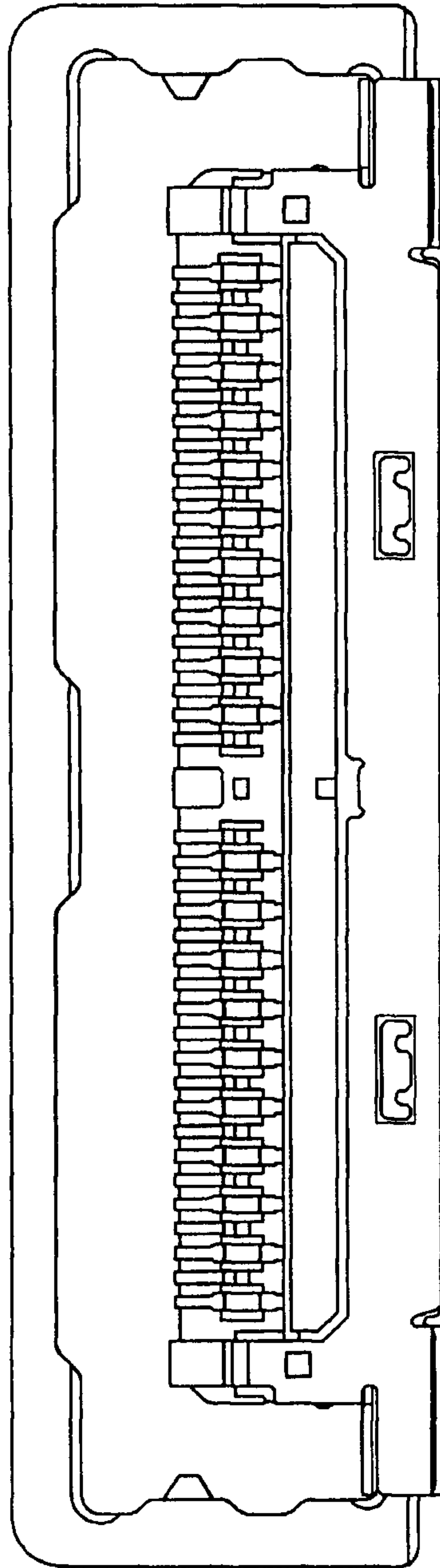


FIG. 7

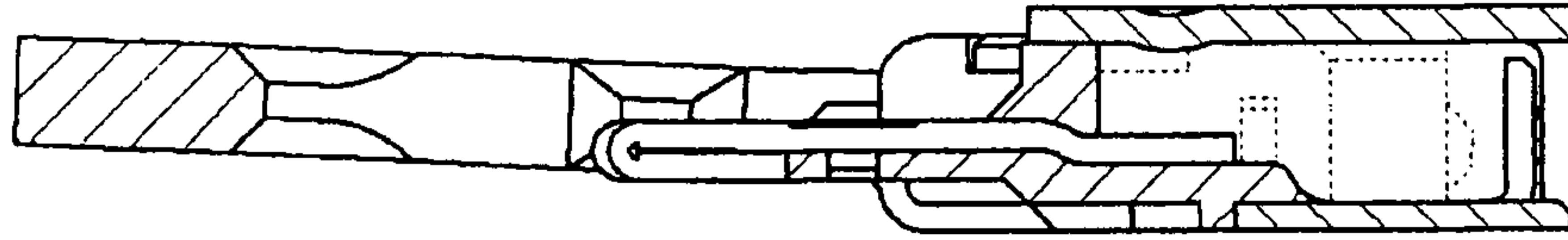


FIG. 8

