



US00D624505S

(12) **United States Design Patent**
Chiang

(10) **Patent No.:** **US D624,505 S**

(45) **Date of Patent:** **** Sep. 28, 2010**

(54) **RECEPTACLE CONNECTOR**

Primary Examiner—Daniel D Bui

(75) Inventor: **Shu-Man Chiang**, Taipei (TW)

(57) **CLAIM**

(73) Assignee: **Cheng Uei Precision Industry Co., Ltd.**, Taipei (TW)

The ornamental design for a receptacle connector, as shown and described.

(**) Term: **14 Years**

DESCRIPTION

(21) Appl. No.: **29/352,772**

FIG. 1 is a front, top and right side perspective view of a receptacle connector showing my new design;

(22) Filed: **Dec. 25, 2009**

FIG. 2 is a front elevational view thereof;

(51) **LOC (9) Cl.** **13-03**

FIG. 3 is a rear elevational view thereof;

(52) **U.S. Cl.** **D13/147**

FIG. 4 is a left side elevational view thereof;

(58) **Field of Classification Search** D13/147,
D13/154, 184; 439/79, 108, 378, 567, 607–610,
439/668, 680

FIG. 5 is a right side elevational view thereof;

See application file for complete search history.

FIG. 6 is a top plan view thereof;

FIG. 7 is a bottom plan view thereof; and,

(56) **References Cited**

FIG. 8 is a rear, bottom and right side perspective view of a receptacle connector showing my new design.

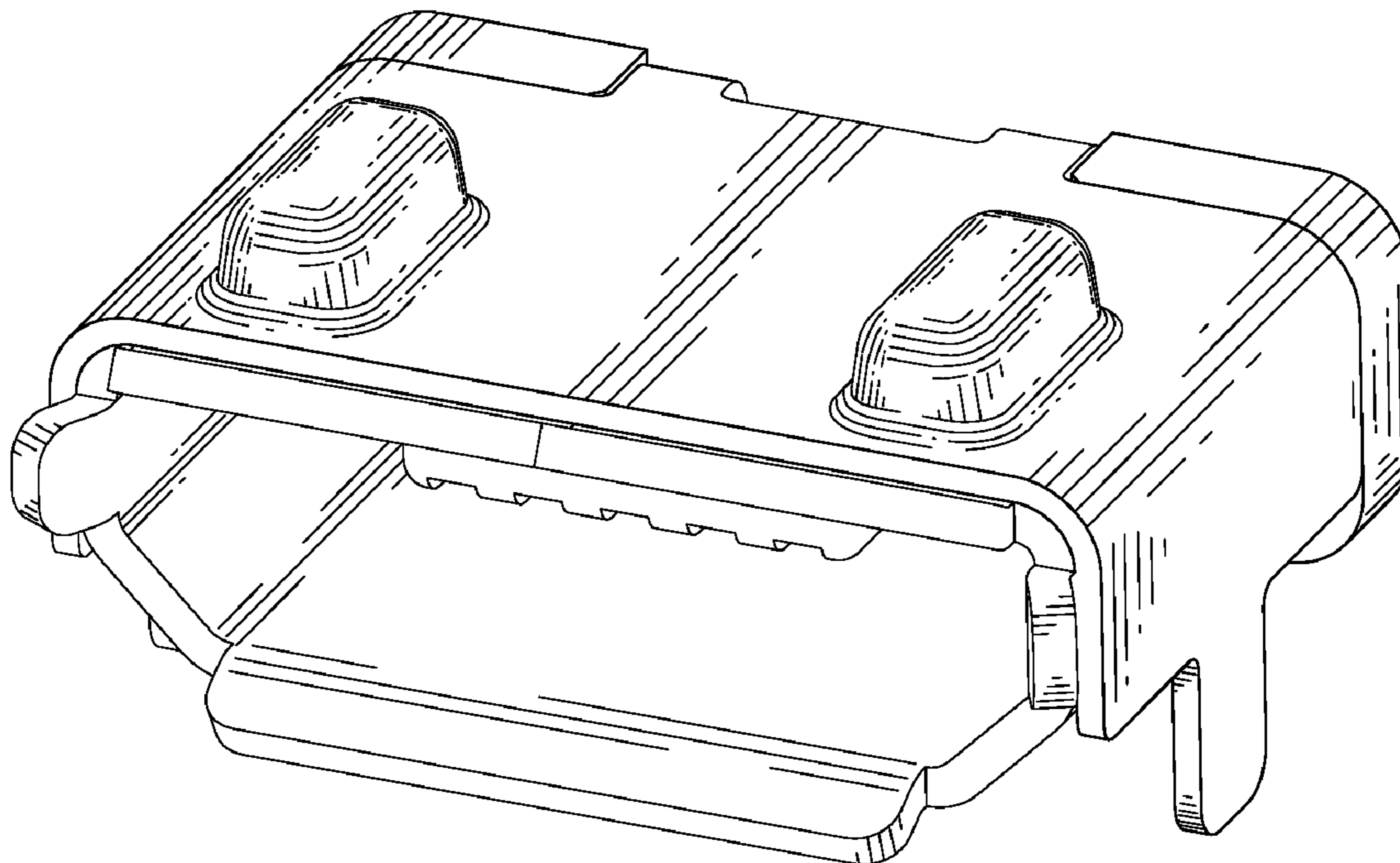
U.S. PATENT DOCUMENTS

D584,691 S *	1/2009	Koyama et al.	D13/147
D589,450 S *	3/2009	Lin et al.	D13/147
D599,294 S *	9/2009	Yang et al.	D13/147
D608,288 S *	1/2010	Zhu et al.	D13/147

The broken line portion of the figure drawings is included to show unclaimed subject matter only and forms no part of the claimed design.

* cited by examiner

1 Claim, 8 Drawing Sheets



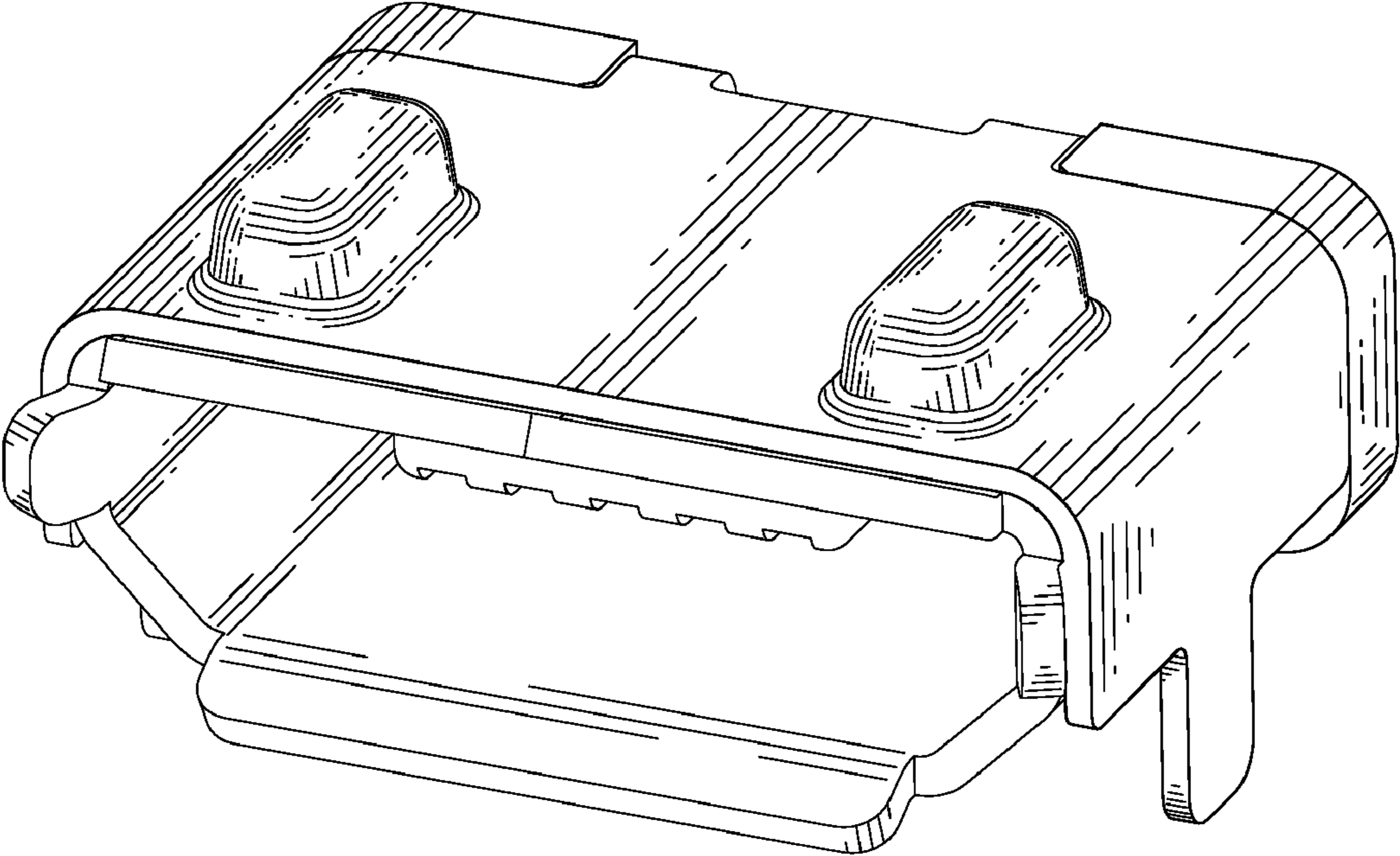


FIG. 1

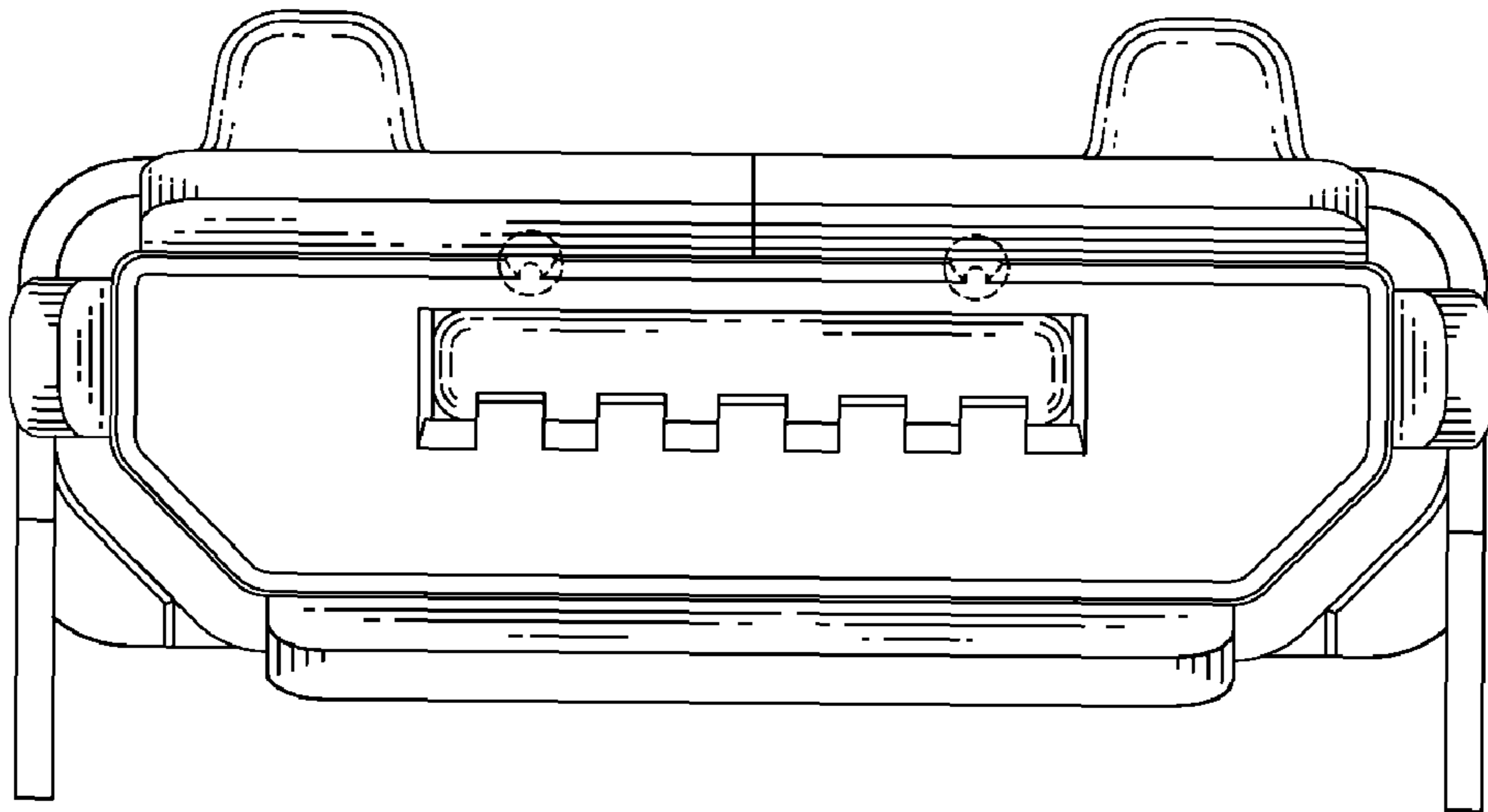


FIG. 2

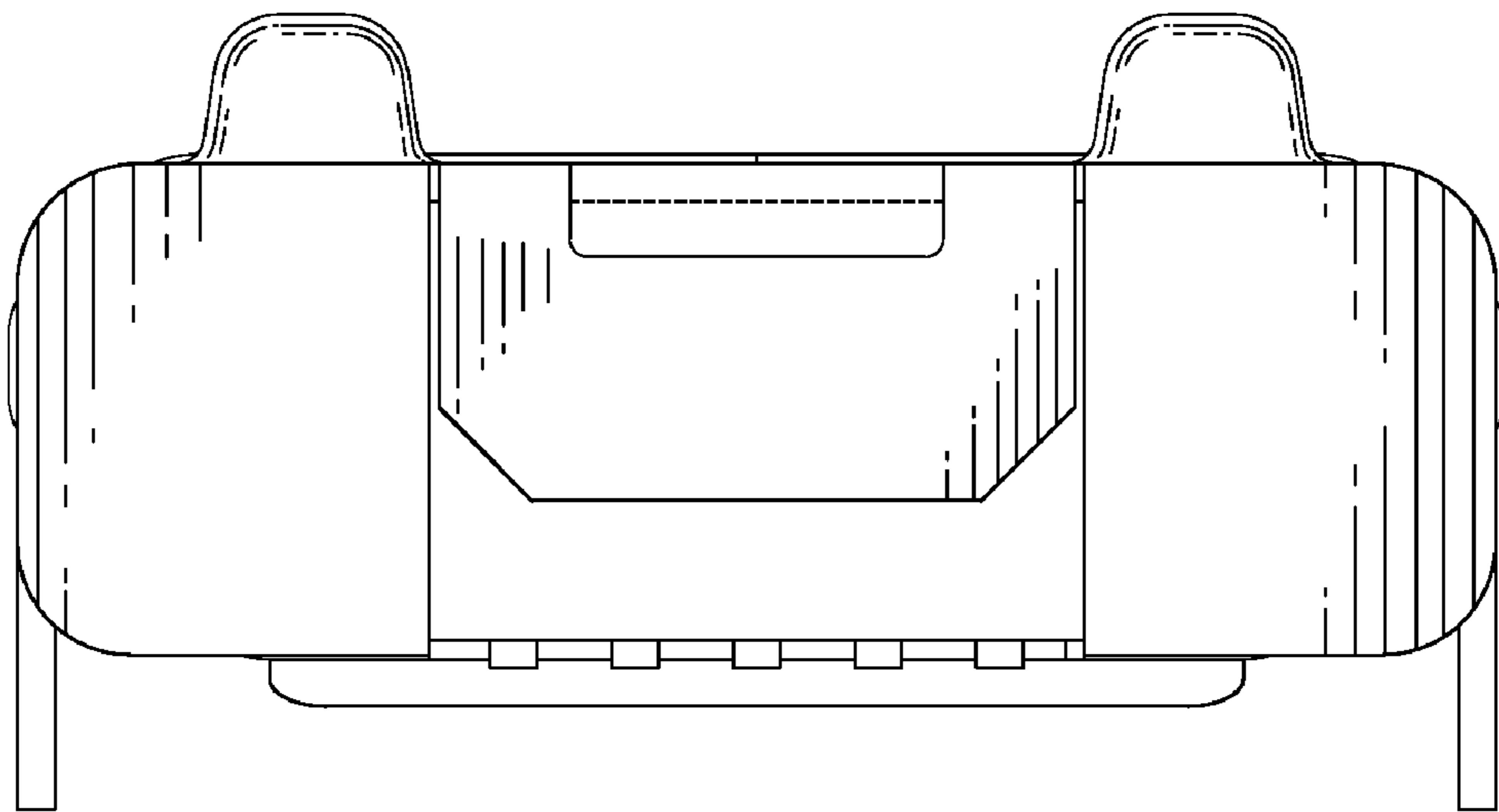


FIG. 3

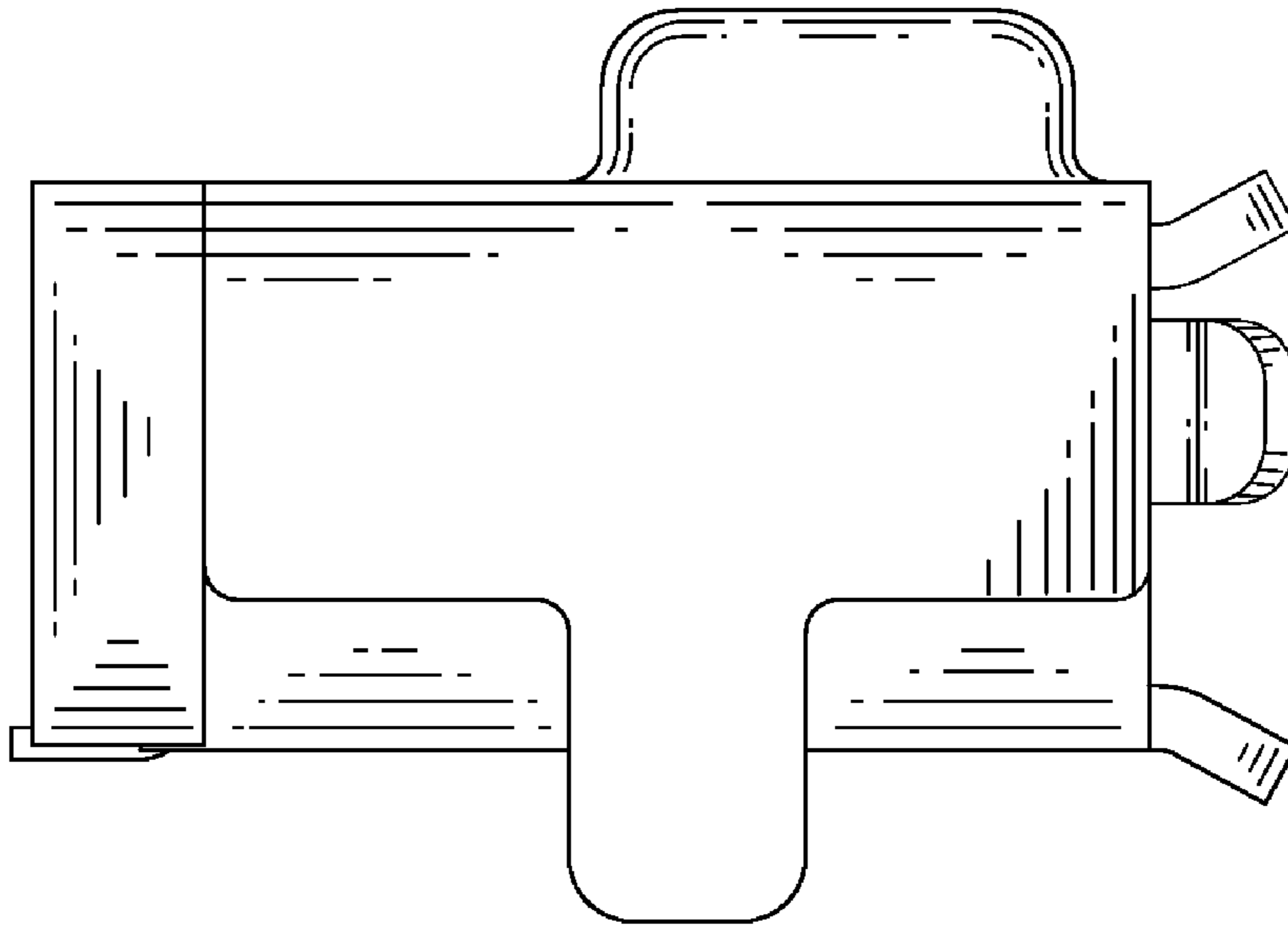


FIG. 4

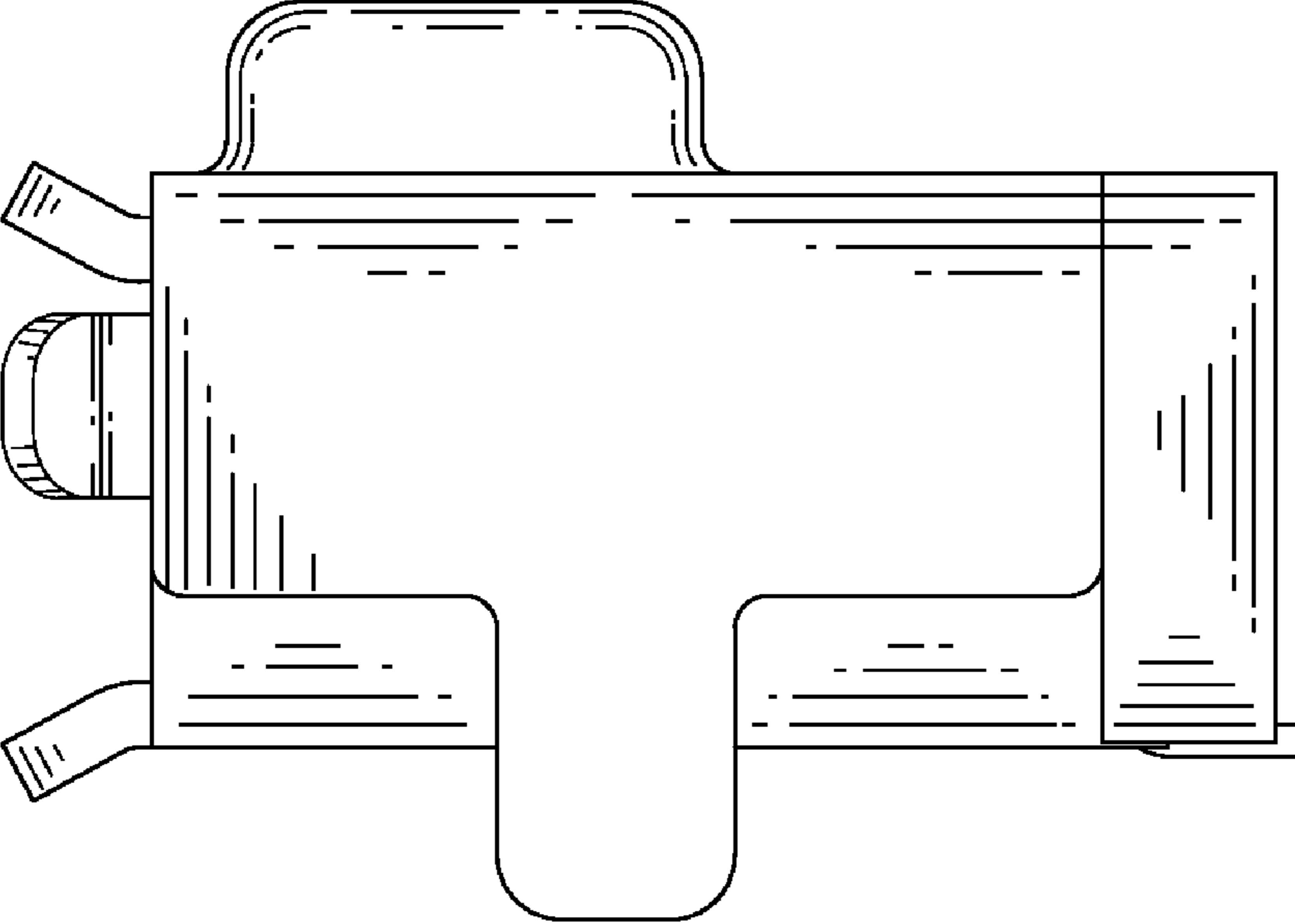


FIG. 5

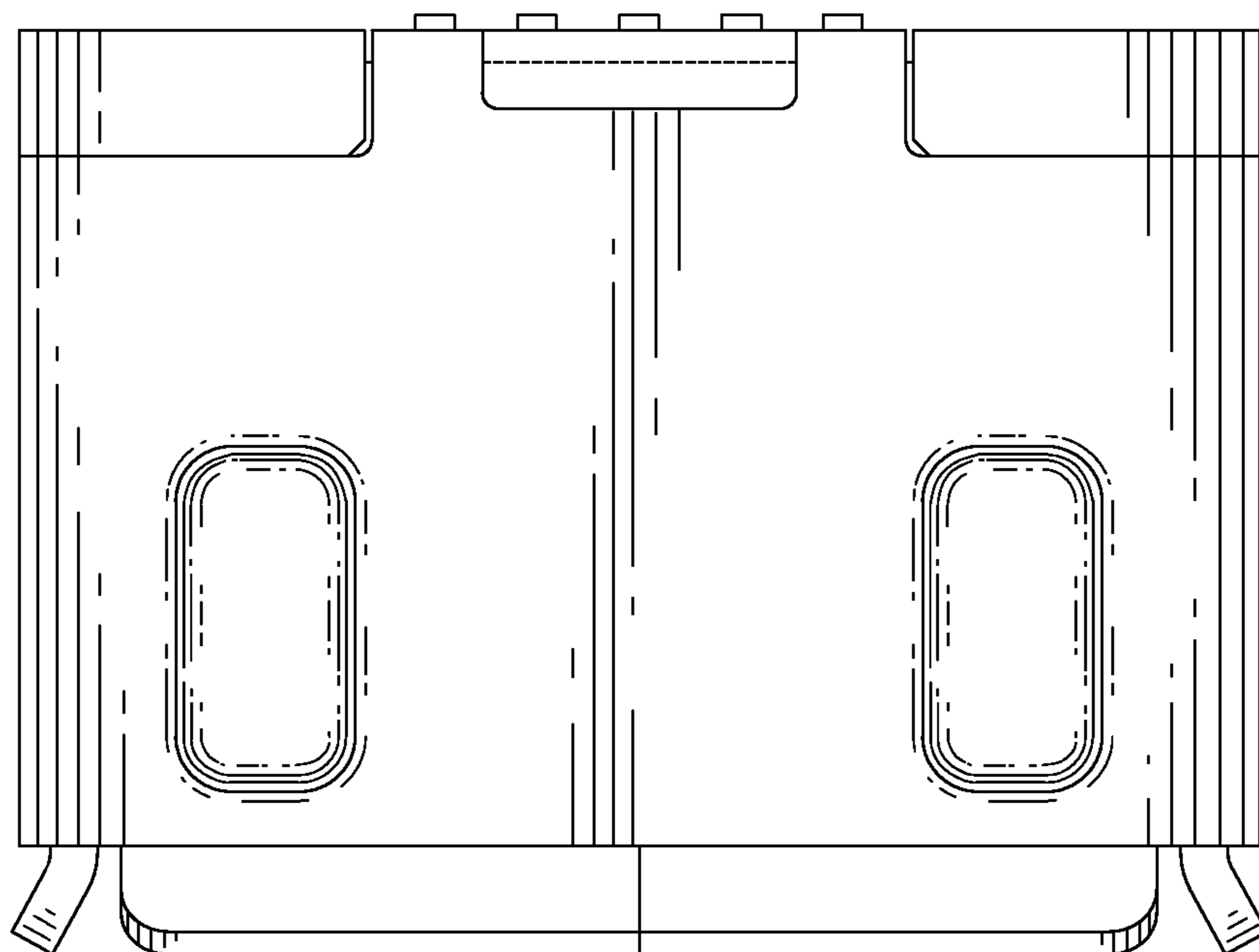


FIG. 6

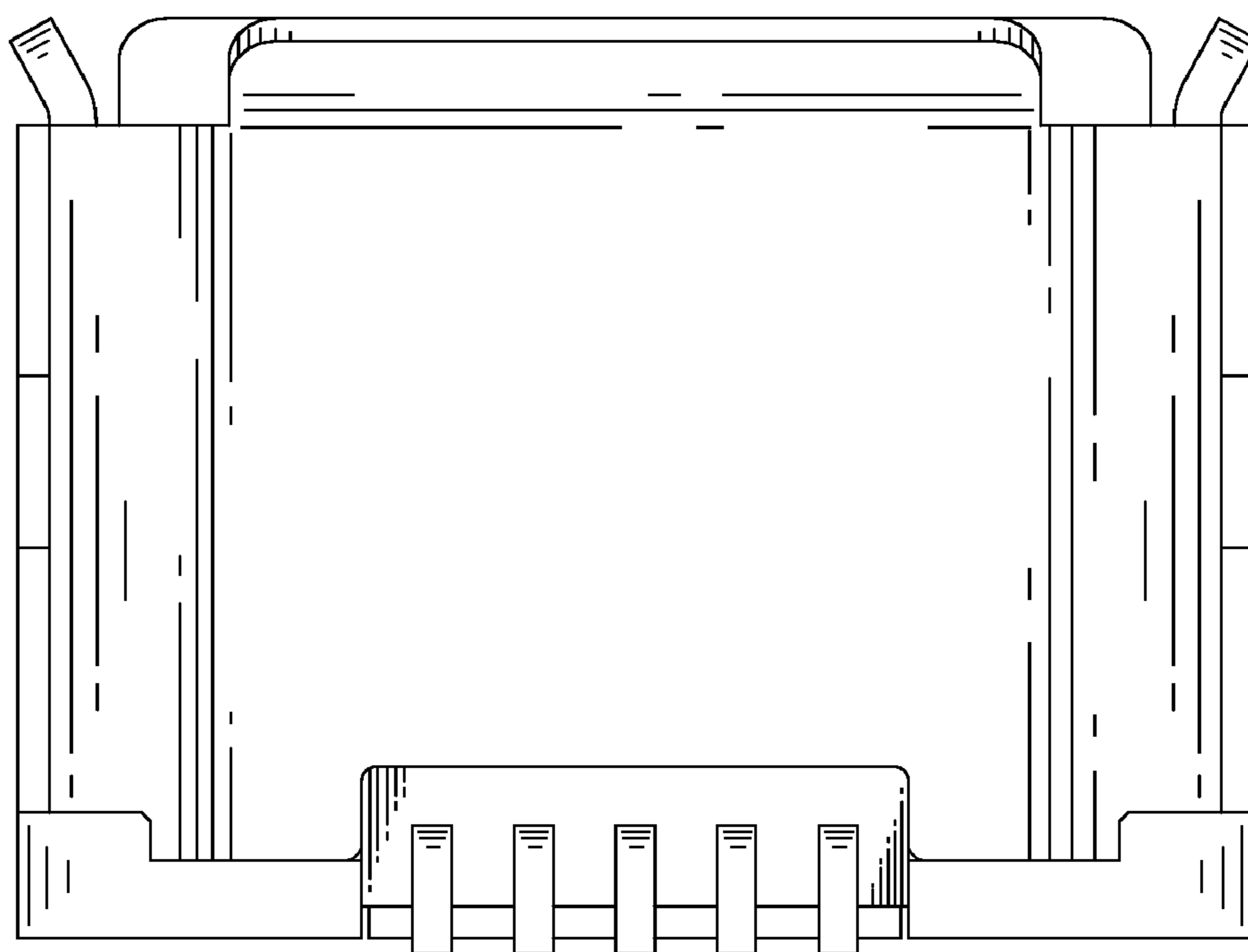


FIG. 7

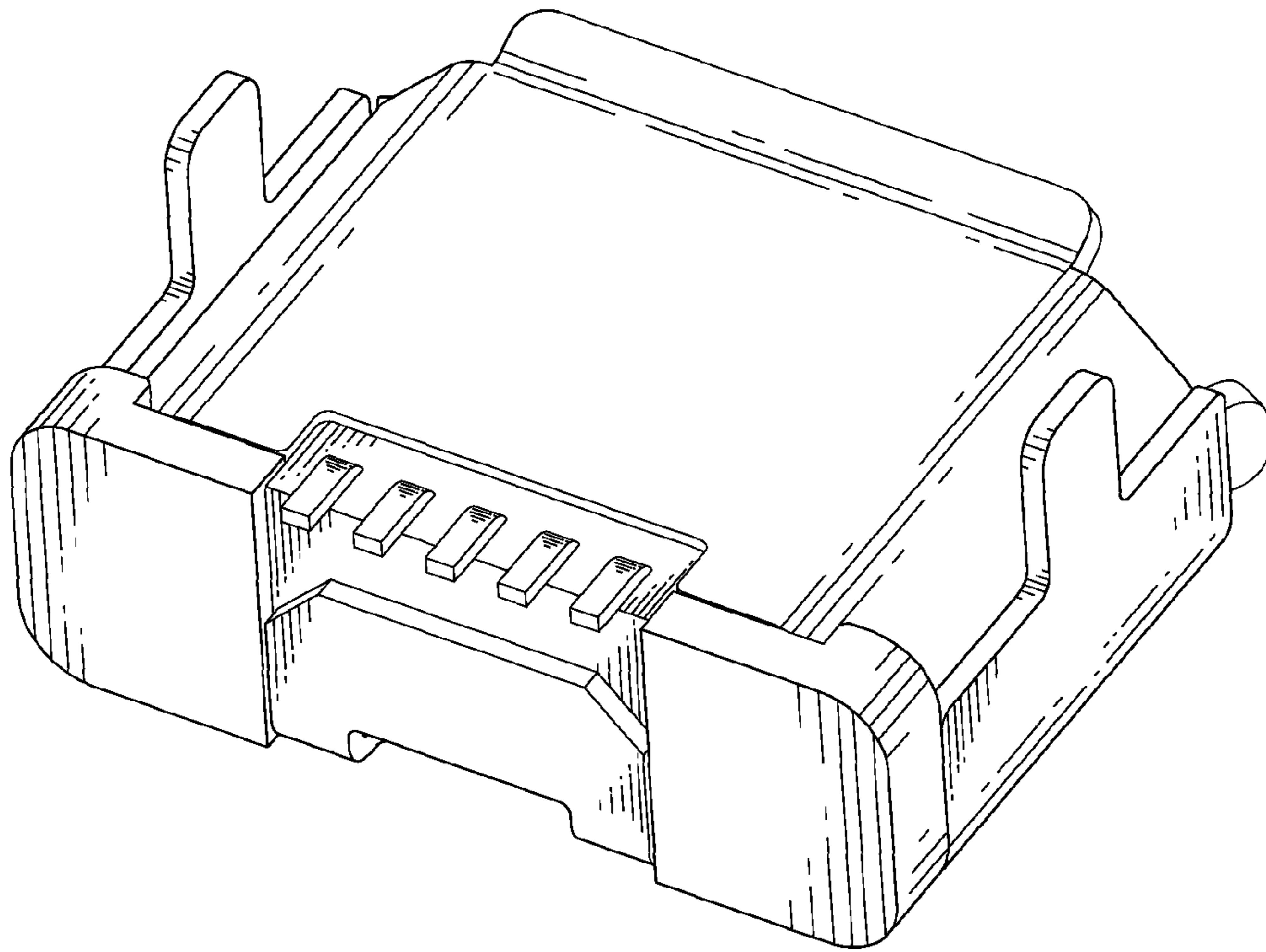


FIG. 8