



US00D624503S

(12) **United States Design Patent**  
**Severing**

(10) **Patent No.:** **US D624,503 S**

(45) **Date of Patent:** **\*\* Sep. 28, 2010**

(54) **HORIZONTAL CONNECTION SPRING-CAPE PCB TERMINAL BLOCK**

(75) Inventor: **Sven Severing**, Bielefeld (DE)

(73) Assignee: **Phoenix Contact GmbH & Co. KG**,  
Blomberg (DE)

(\*\*) Term: **14 Years**

(21) Appl. No.: **29/330,979**

(22) Filed: **Jan. 16, 2009**

(30) **Foreign Application Priority Data**

Jul. 16, 2008 (EM) ..... 000970777-0002  
Jul. 16, 2008 (EM) ..... 000970777-0004

(51) **LOC (9) Cl.** ..... **13-03**

(52) **U.S. Cl.** ..... **D13/147**

(58) **Field of Classification Search** ..... D13/133,  
D13/146-147, 154, 184; 439/607-610, 663,  
439/680, 681

See application file for complete search history.

(56) **References Cited**

**U.S. PATENT DOCUMENTS**

D360,620 S \* 7/1995 Gehrs et al. .... D13/184  
D461,771 S \* 8/2002 Zhao et al. .... D13/133  
D498,463 S \* 11/2004 Lin et al. .... D13/147  
D507,241 S \* 7/2005 Koessler ..... D13/152

**OTHER PUBLICATIONS**

Co-pending U.S. Appl. No. 29/330,973, filed Jan. 16, 2009, entitled:  
"Vertical connection spring-cape PCB terminal block".

\* cited by examiner

*Primary Examiner*—Daniel D Bui

(74) *Attorney, Agent, or Firm*—Leydig, Voit & Mayer, Ltd.

(57) **CLAIM**

The ornamental design for a horizontal connection spring-  
cape PCB terminal block, as shown and described.

**DESCRIPTION**

FIG. 1 is a top, front, and left side perspective view of the  
horizontal connection spring-cape PCB terminal block,  
showing my new design;

FIG. 2 is a front elevational view thereof;

FIG. 3 is a right side elevational view thereof;

FIG. 4 is a left side elevational view thereof;

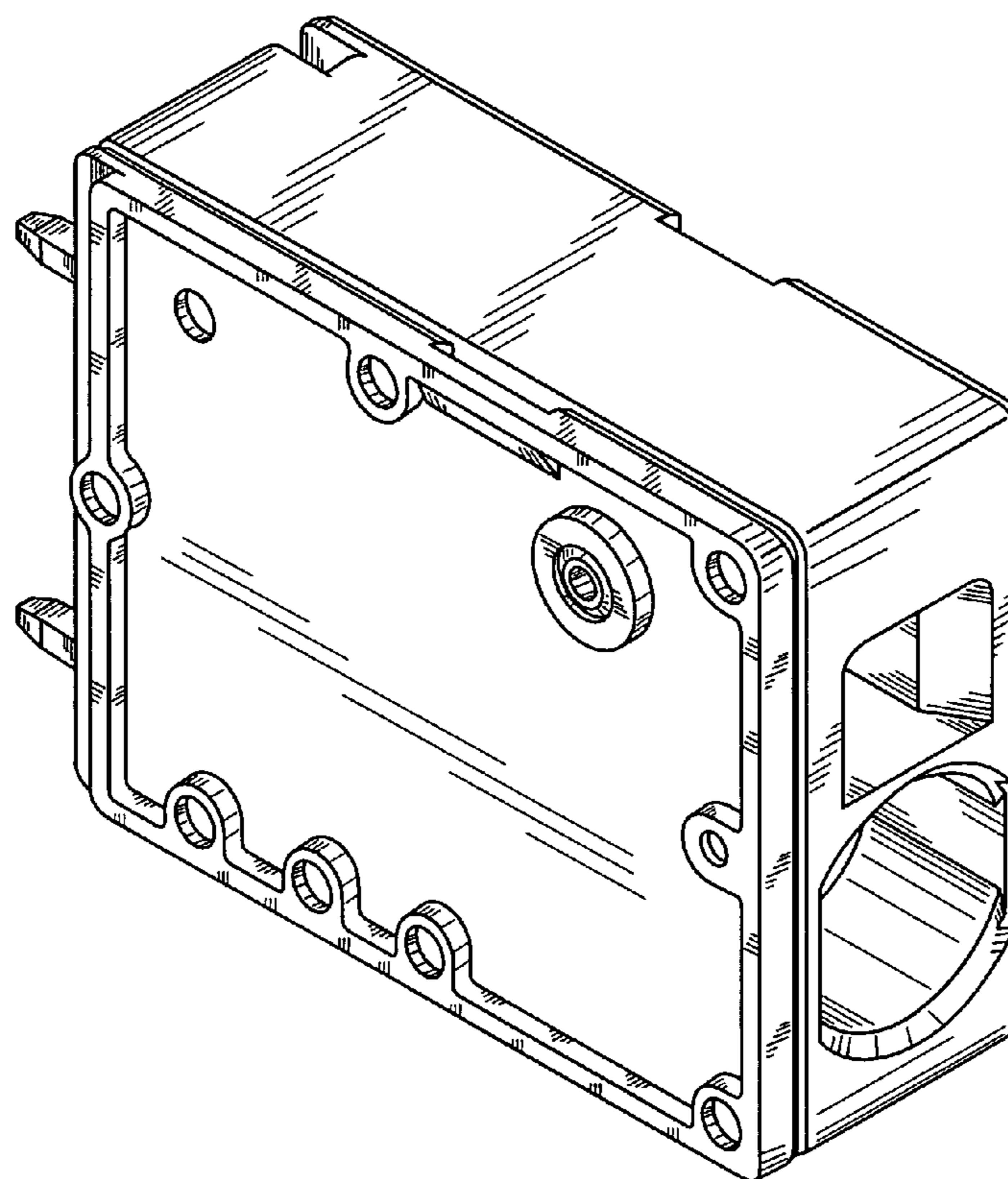
FIG. 5 is a rear elevational view thereof;

FIG. 6 is a top plan view thereof; and,

FIG. 7 is a bottom plan view thereof.

The broken line portion in the drawing views is included to  
show unclaimed subject matter only and forms no part of the  
claimed design.

**1 Claim, 7 Drawing Sheets**



**FIG. 1**

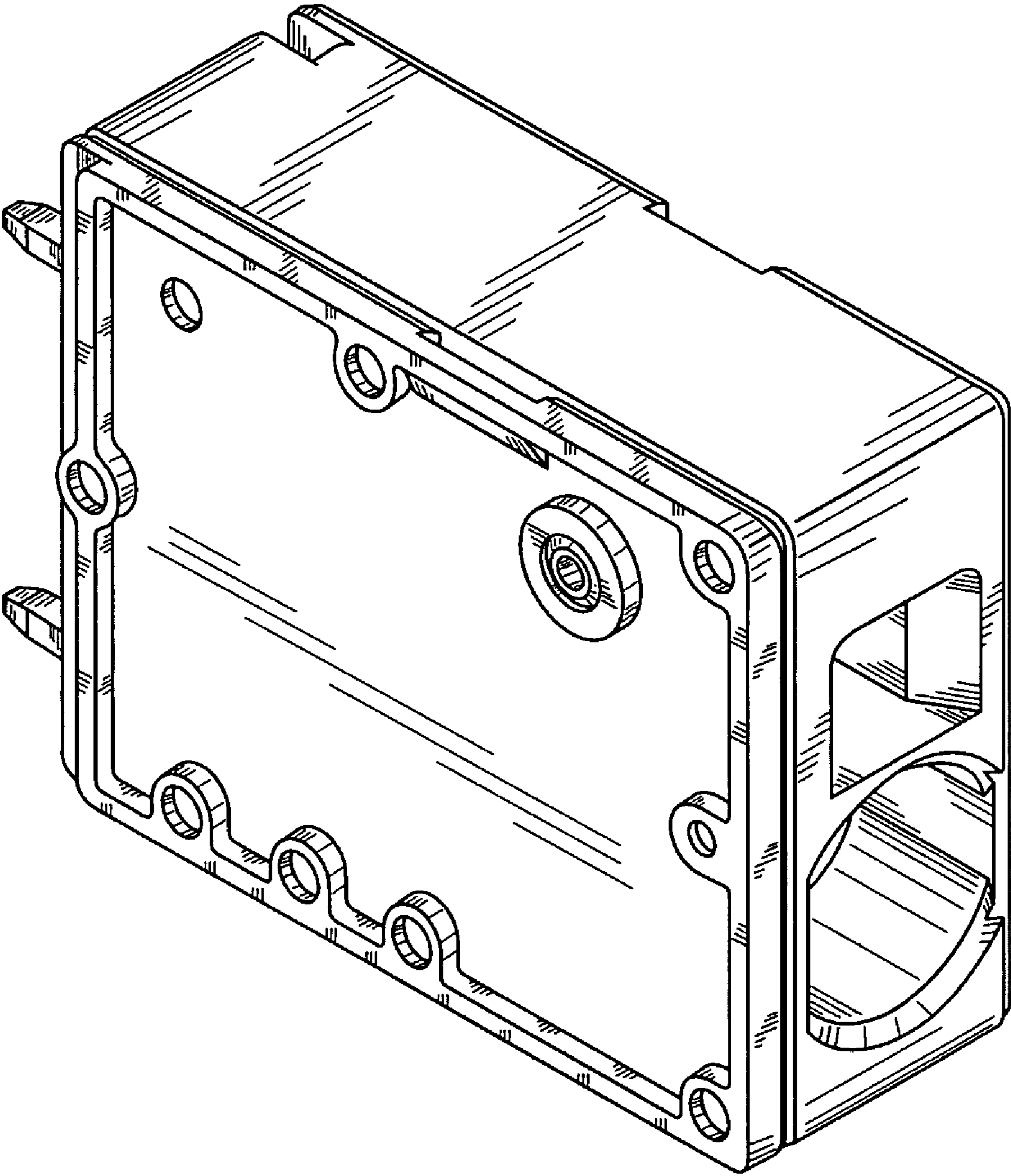


FIG. 2

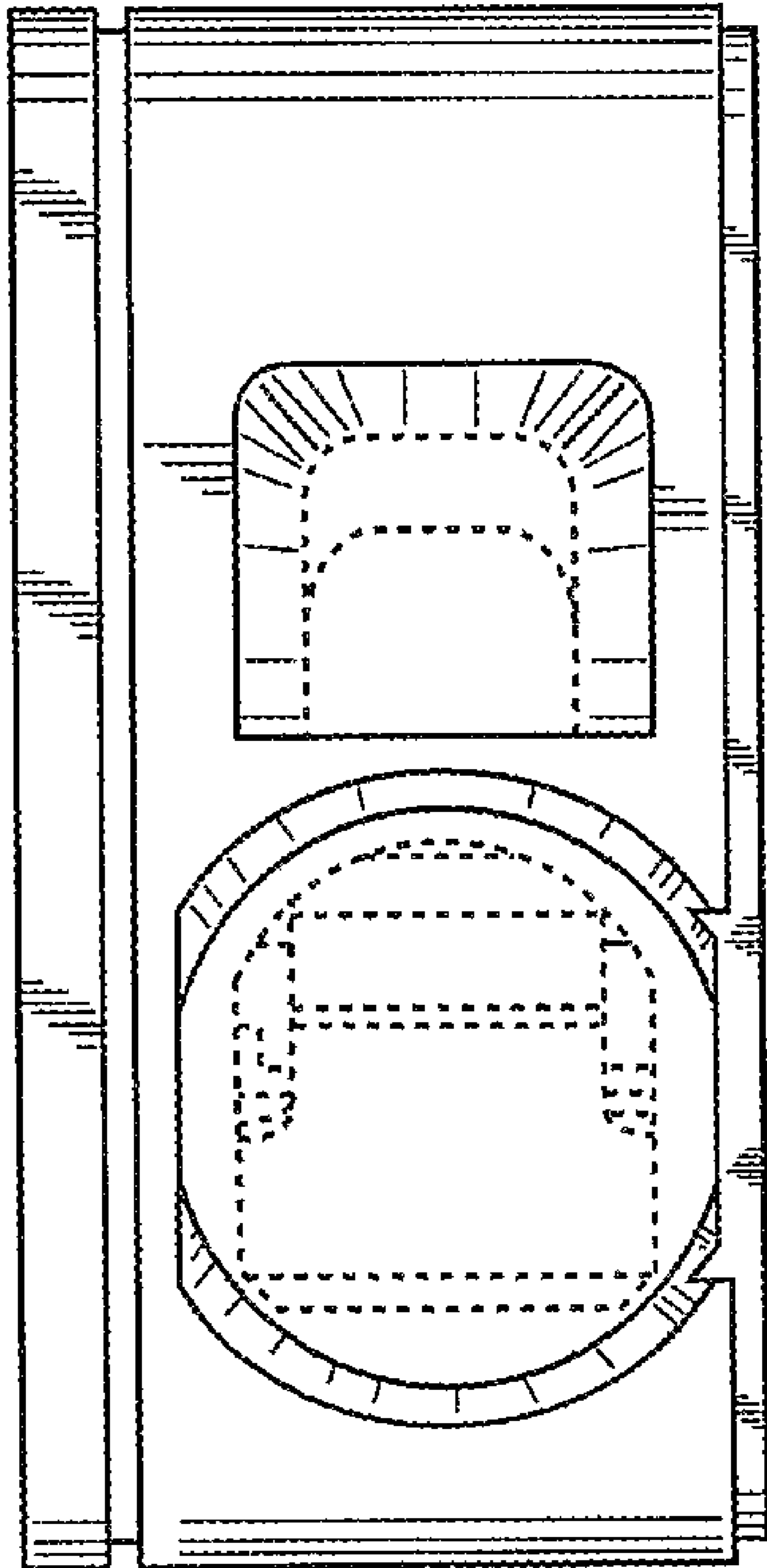


FIG. 3

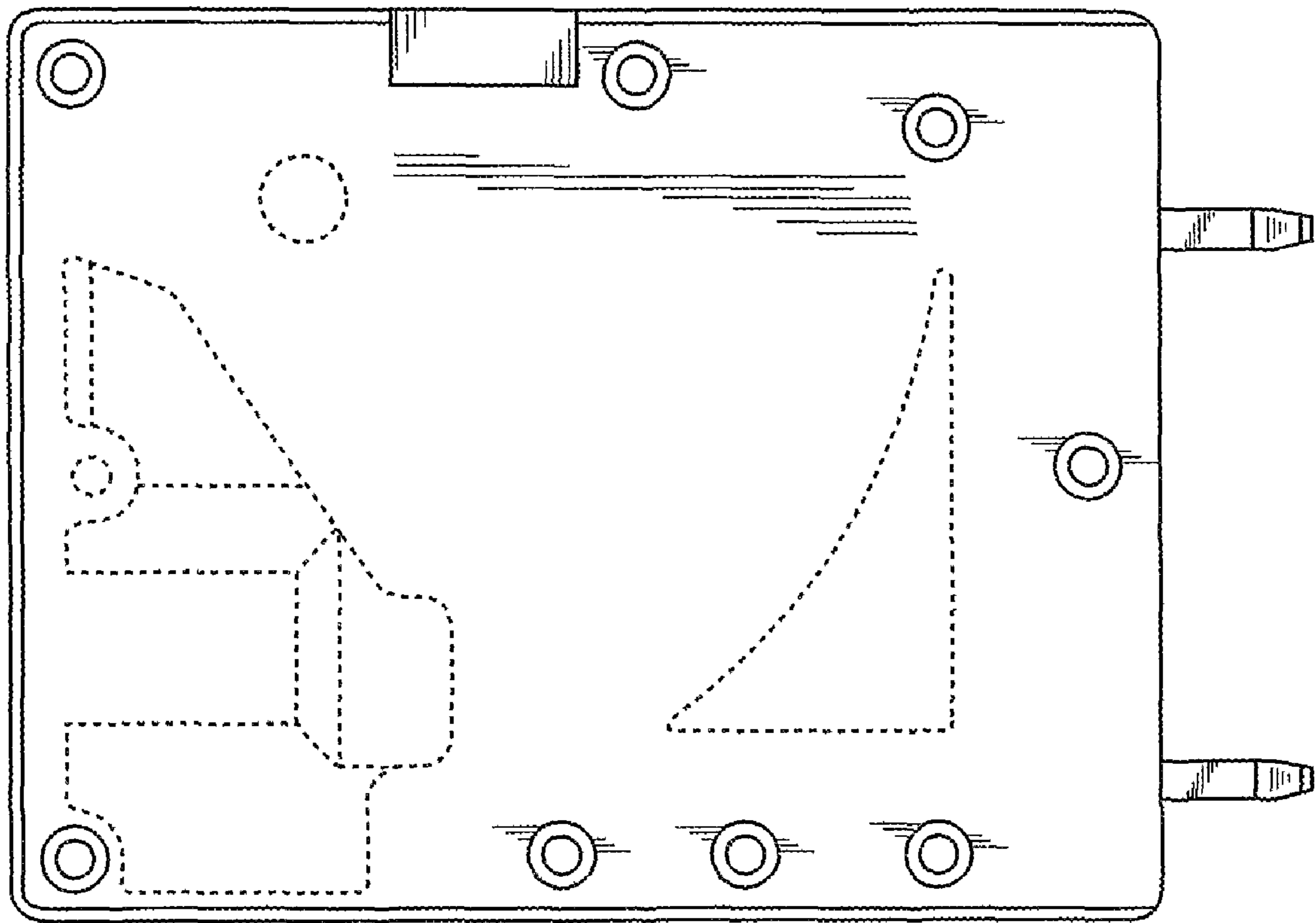


FIG. 4

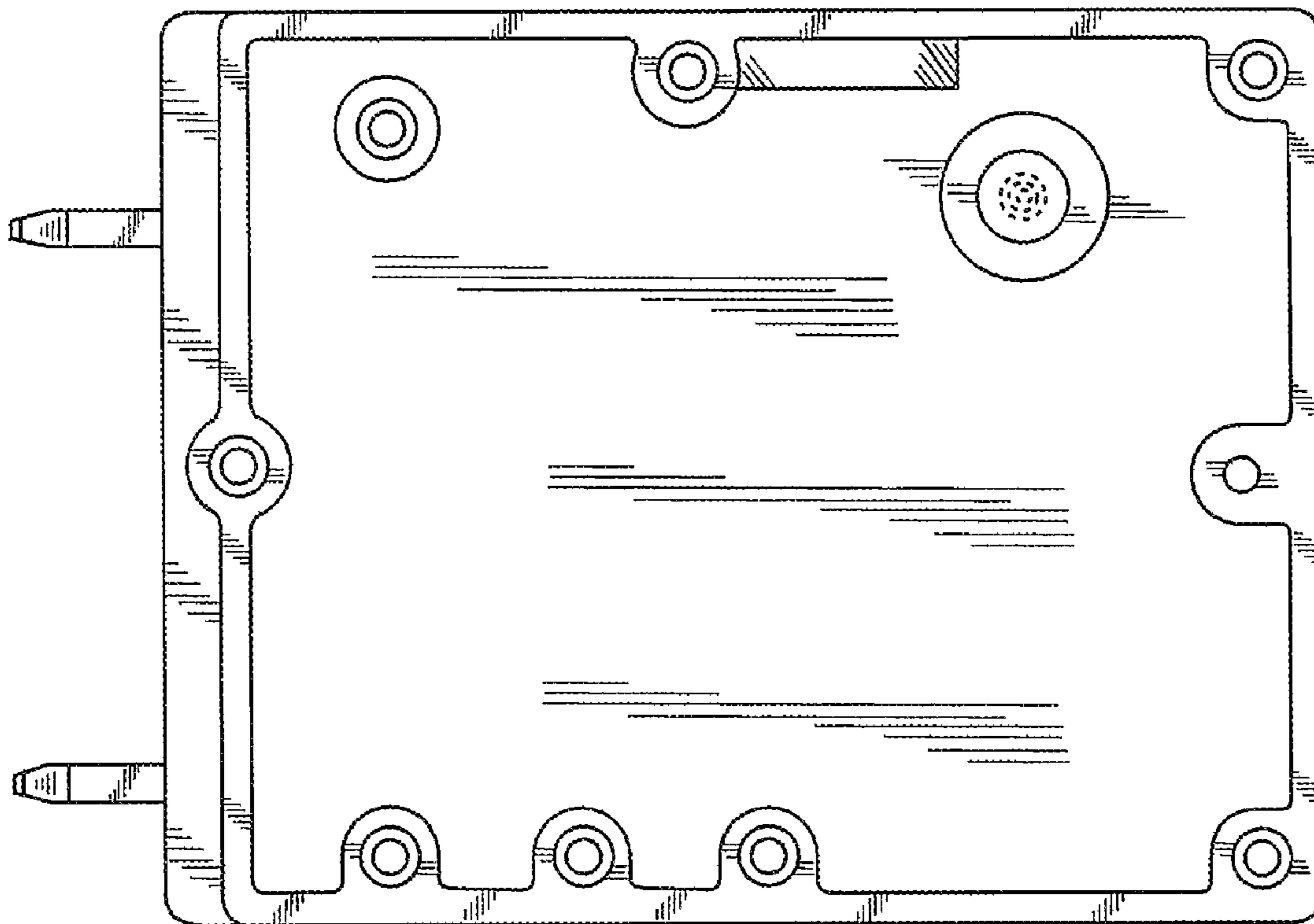
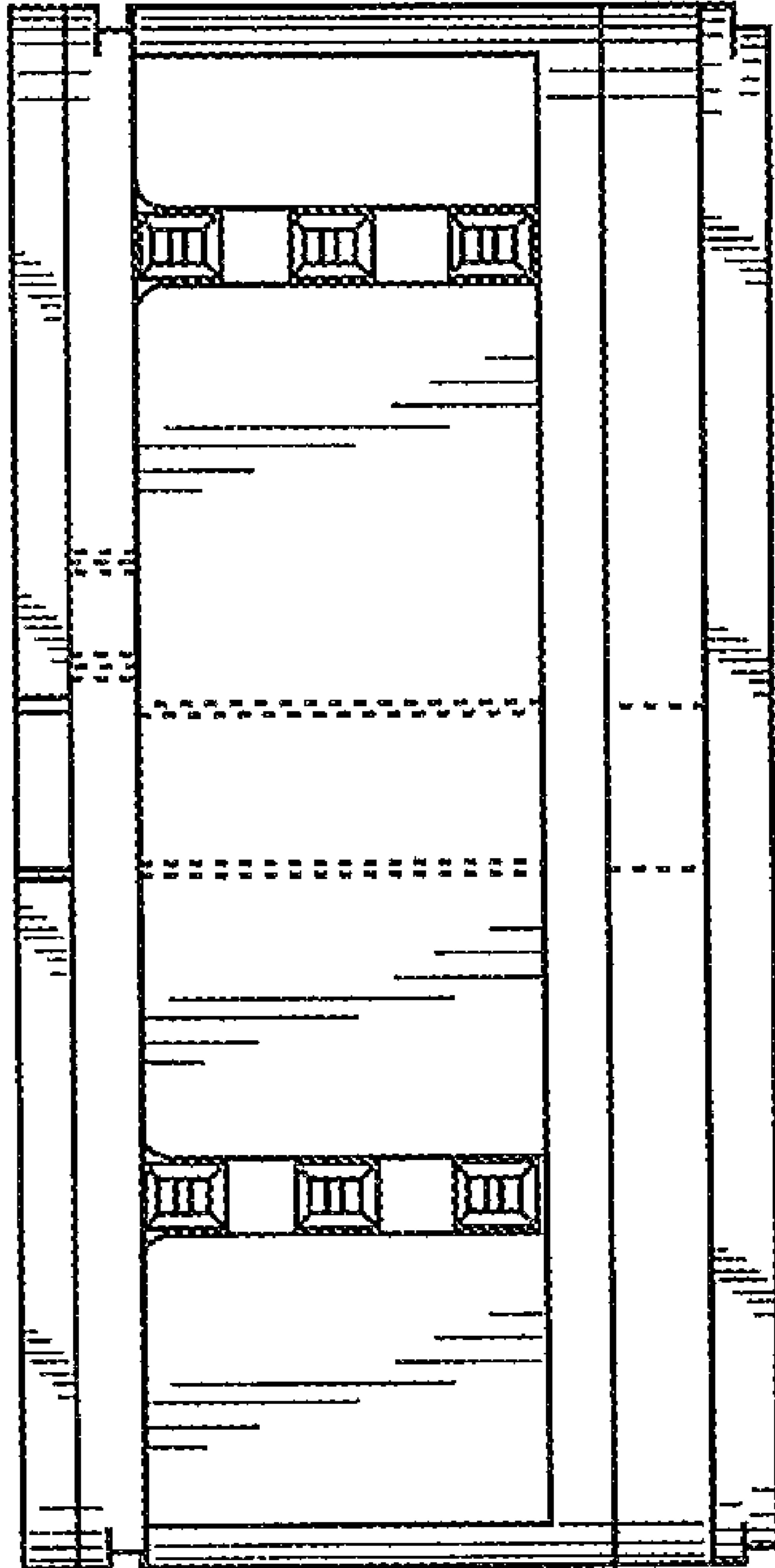




FIG. 5



**FIG. 6**

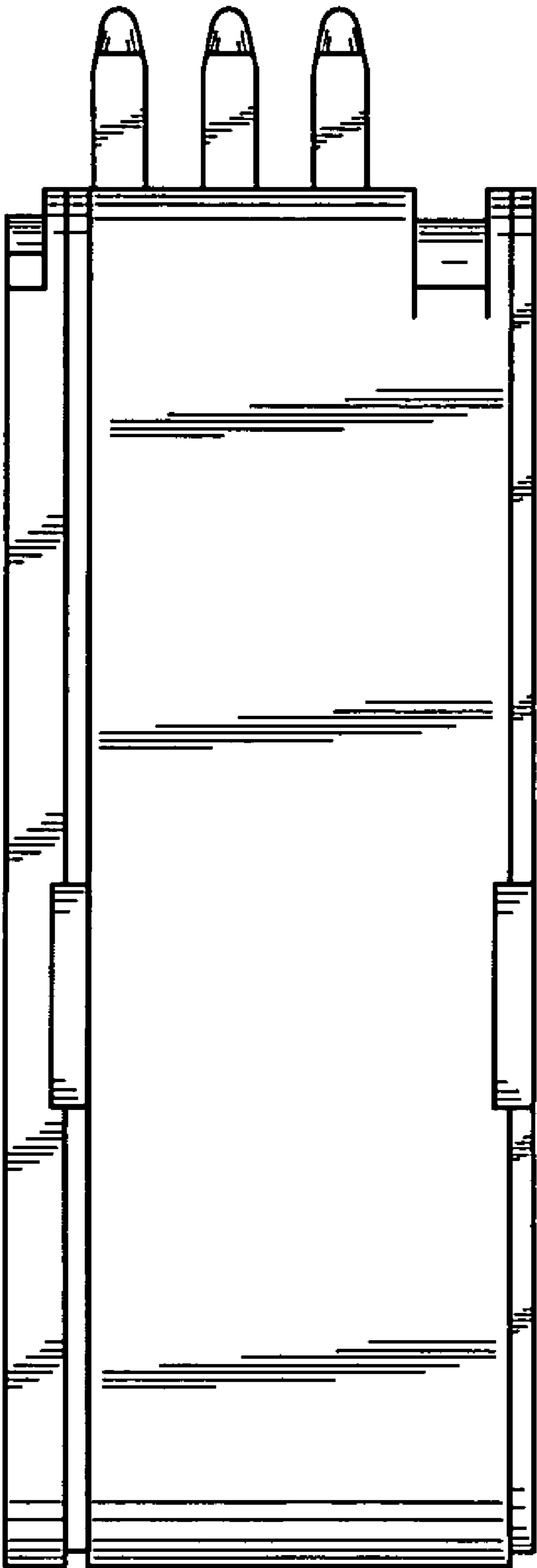


FIG. 7

