



US00D624498S

(12) **United States Design Patent**
Chan

(10) **Patent No.:** **US D624,498 S**

(45) **Date of Patent:** **** Sep. 28, 2010**

(54) **DUAL USB ACTIVE CIGARETTE LIGHTER
ADAPTER PLUG**

(75) Inventor: **Jackson Chun Chan**, Diamond Bar, CA
(US)

(73) Assignee: **Ever Win International Corporation**,
City of Industry, CA (US)

(**) Term: **14 Years**

(21) Appl. No.: **29/348,812**

(22) Filed: **Feb. 12, 2010**

(51) **LOC (9) Cl.** **13-03**

(52) **U.S. Cl.** **D13/144**

(58) **Field of Classification Search** D13/107,
D13/118, 119, 120, 133, 144, 154, 184; D14/155;
320/65, 107, 108, 109; 363/13, 146; 439/300,
439/620, 638, 668, 669, 675, 825
See application file for complete search history.

(56) **References Cited**

U.S. PATENT DOCUMENTS

D392,617 S *	3/1998	Yokozawa	D13/144
D400,176 S *	10/1998	Jones	D13/144
D403,663 S *	1/1999	Jones et al.	D13/144
D442,543 S *	5/2001	Krumenacker et al.	D13/107
D463,369 S *	9/2002	Eisenbraun	D13/144
D490,058 S *	5/2004	Mkhitarian	D13/144
D505,389 S *	5/2005	Chang	D13/107

D506,455 S *	6/2005	Bey et al.	D14/155
D525,937 S *	8/2006	Seil et al.	D13/144
D525,938 S *	8/2006	Seil et al.	D13/144
D604,699 S *	11/2009	Yamamoto	D13/144

* cited by examiner

Primary Examiner—Daniel D Bui

(74) *Attorney, Agent, or Firm*—Joe Nieh

(57) **CLAIM**

The ornamental design for a dual USB active cigarette lighter adapter plug, as shown and described.

DESCRIPTION

FIG. 1 is a perspective view of a dual USB active cigarette lighter adapter plug showing my new design;

FIG. 2 is another perspective view thereof;

FIG. 3 is a top view thereof, on a reduced scale;

FIG. 4 is a front view thereof;

FIG. 5 is a left side view thereof;

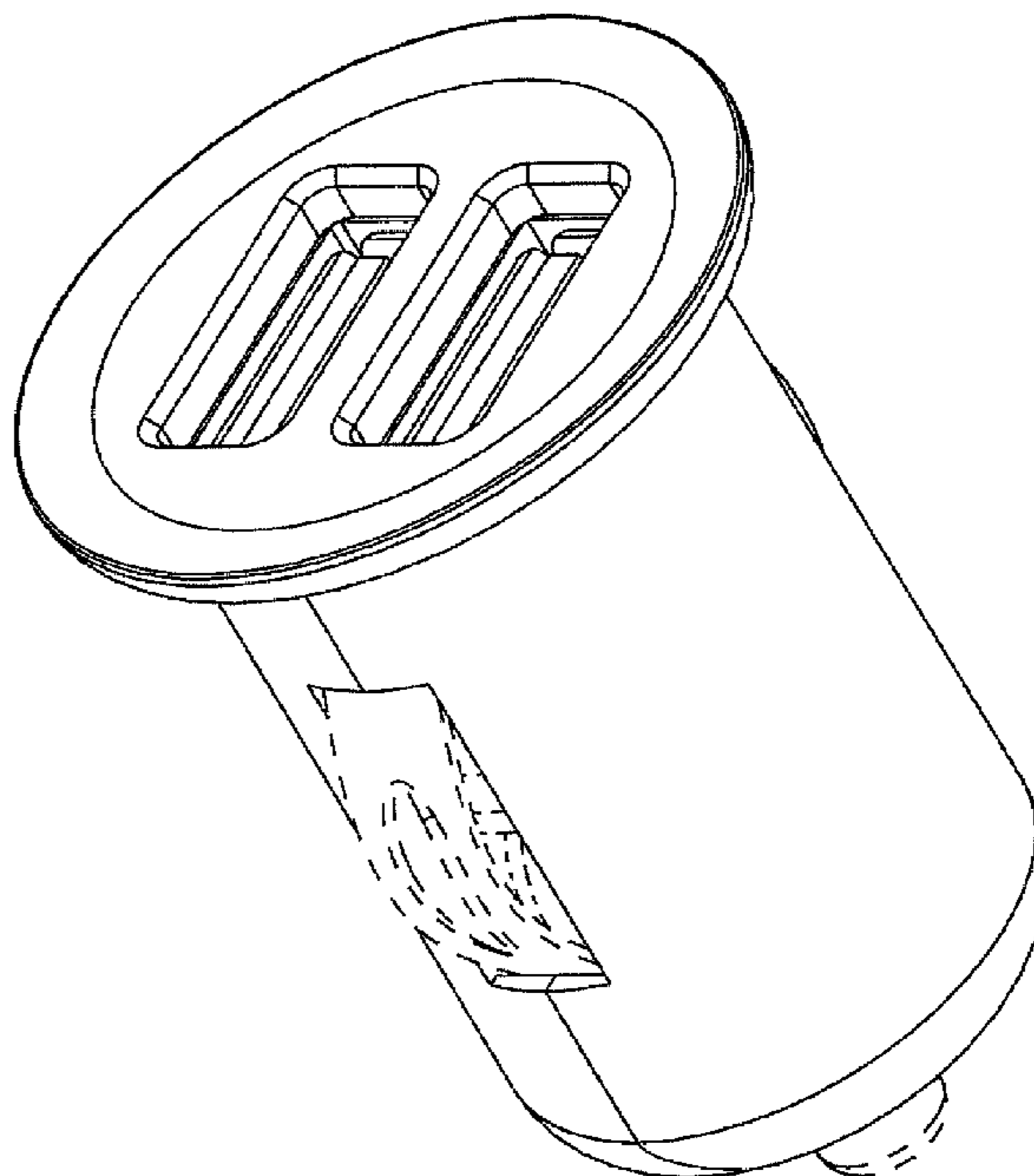
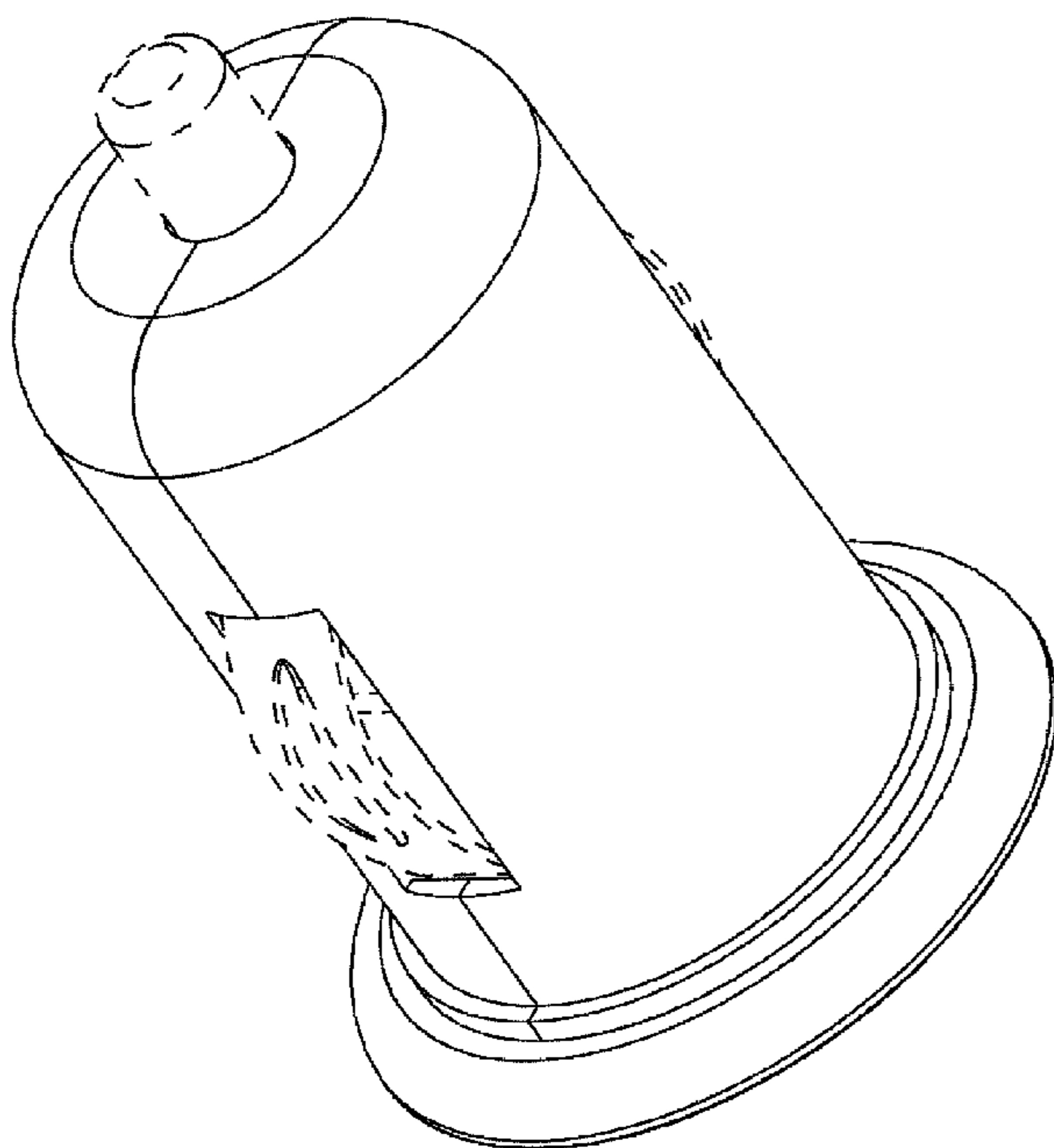
FIG. 6 is a right side view thereof;

FIG. 7 is a bottom view thereof; and,

FIG. 8 is a rear view thereof.

The broken line shown in the drawings is included for the purpose of illustrating environmental structure and forms no part of the claimed design.

1 Claim, 8 Drawing Sheets



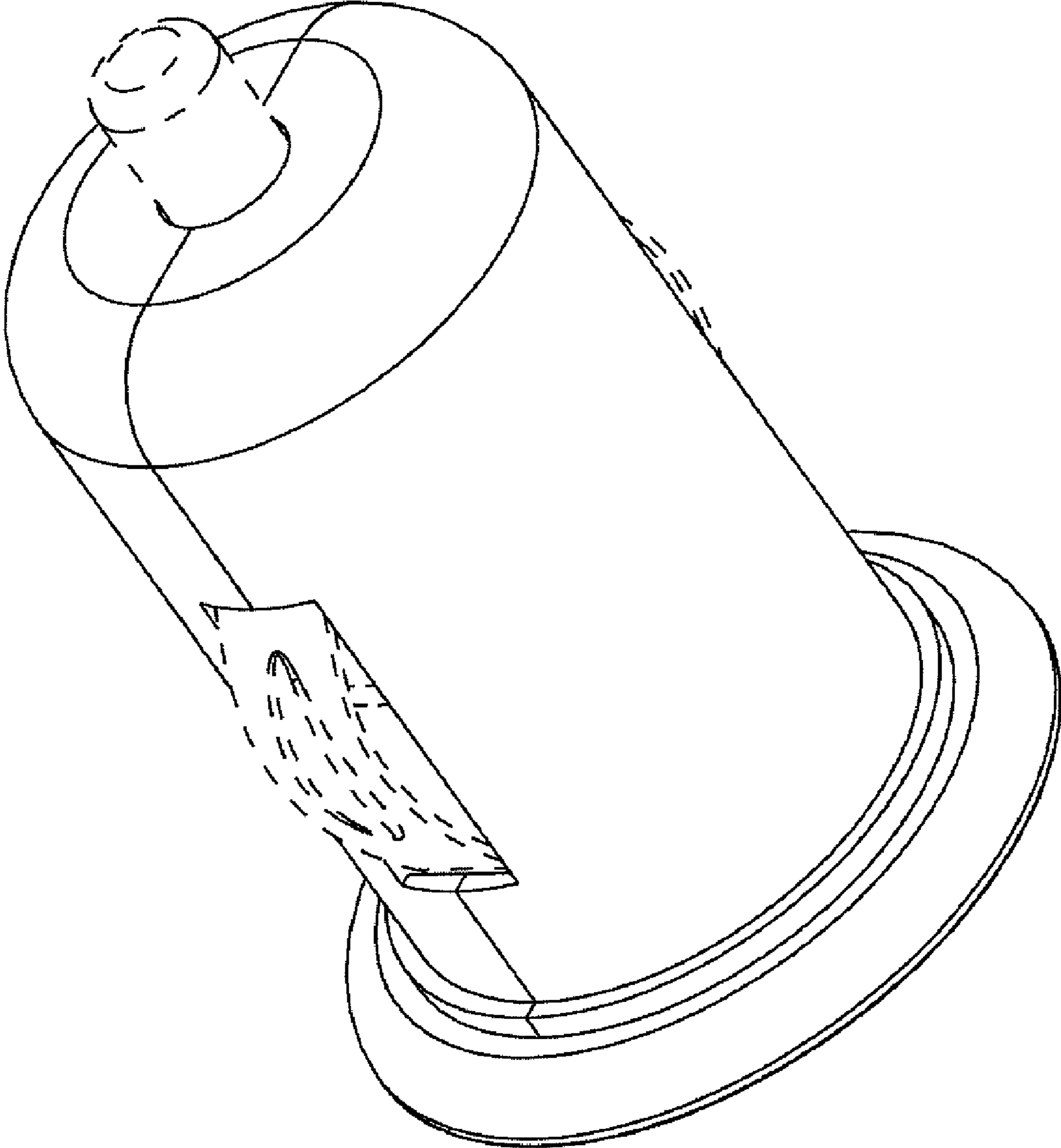


Fig. 1

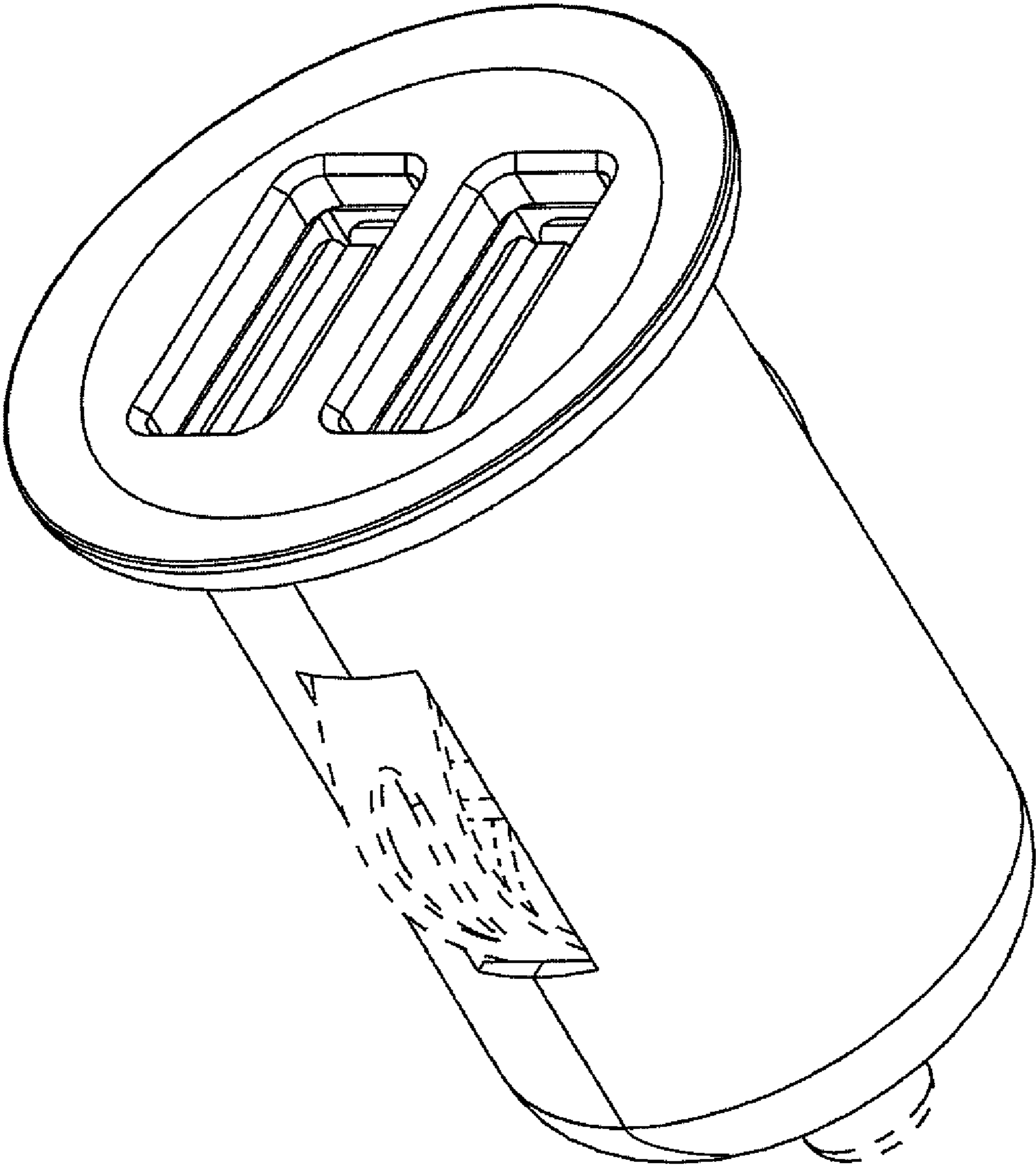


Fig. 2

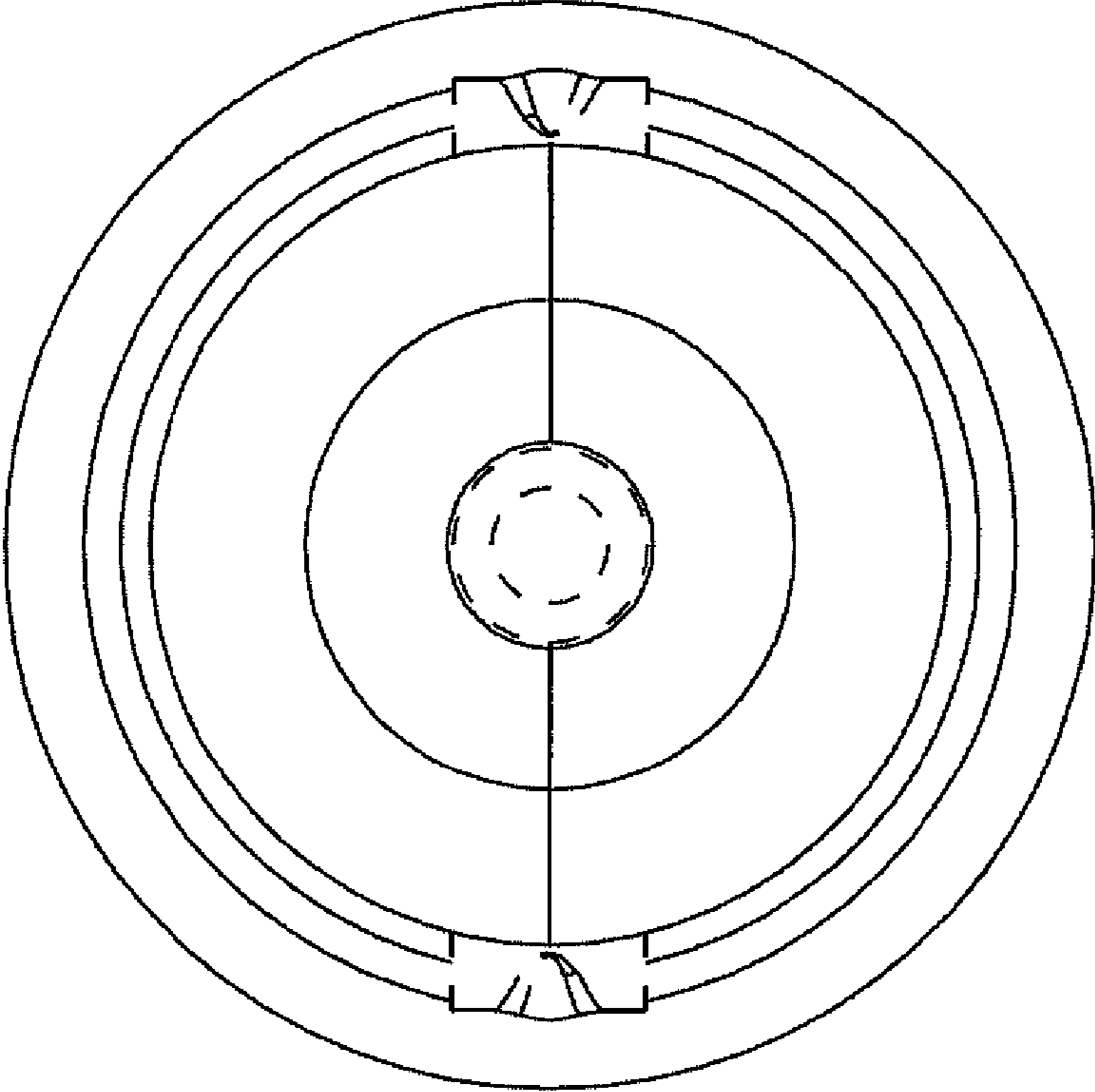


Fig. 3

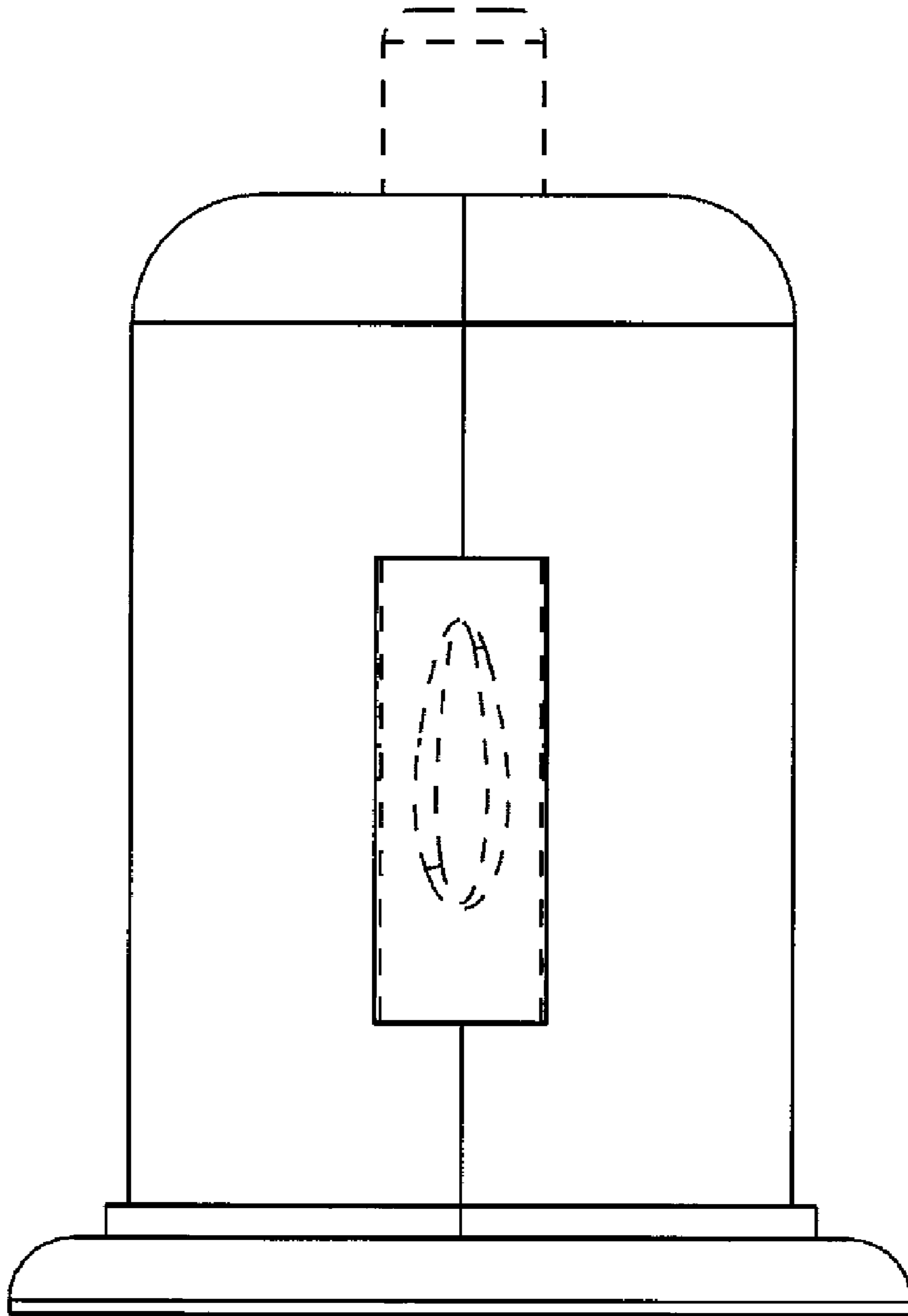


Fig. 4

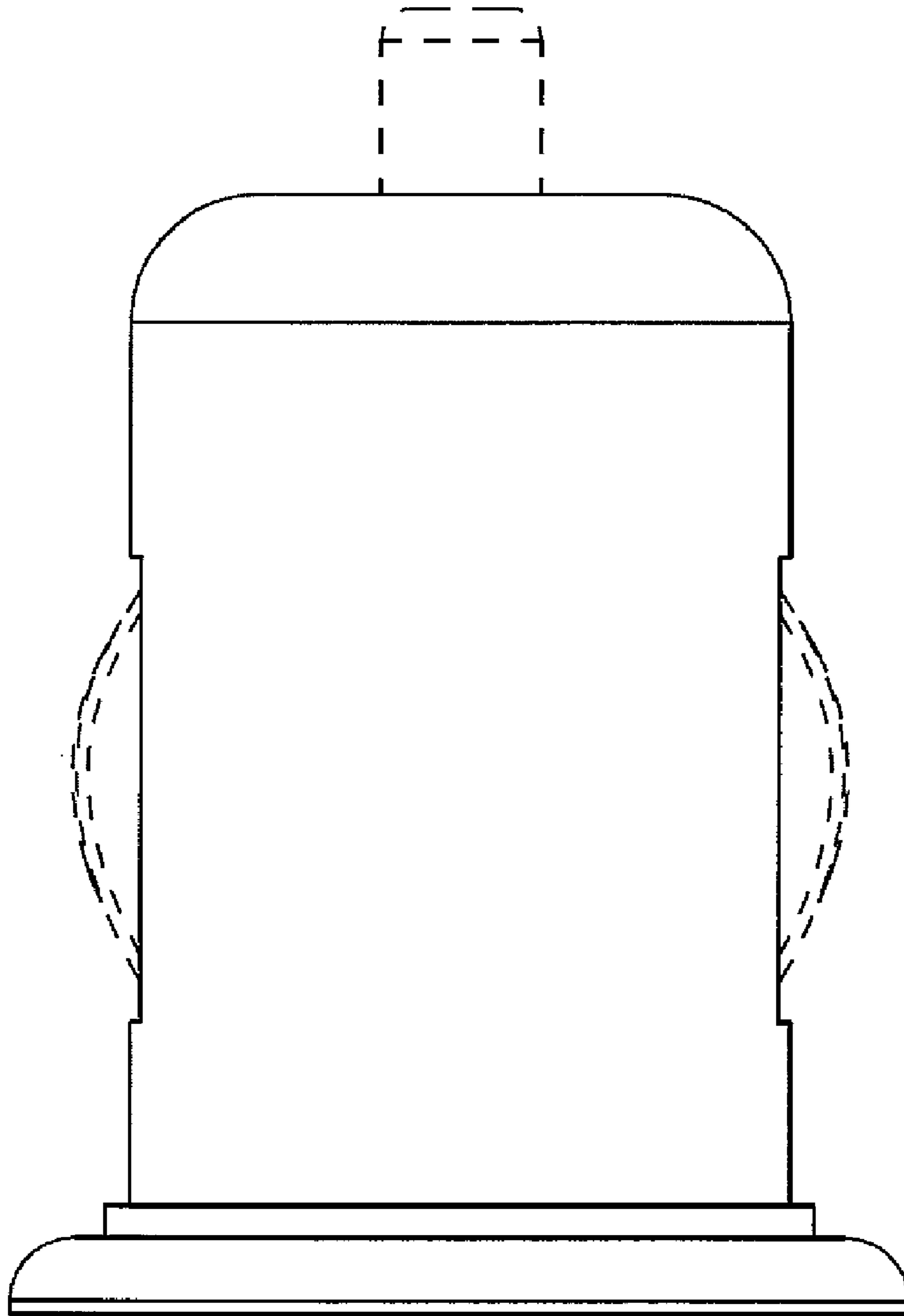


Fig. 5

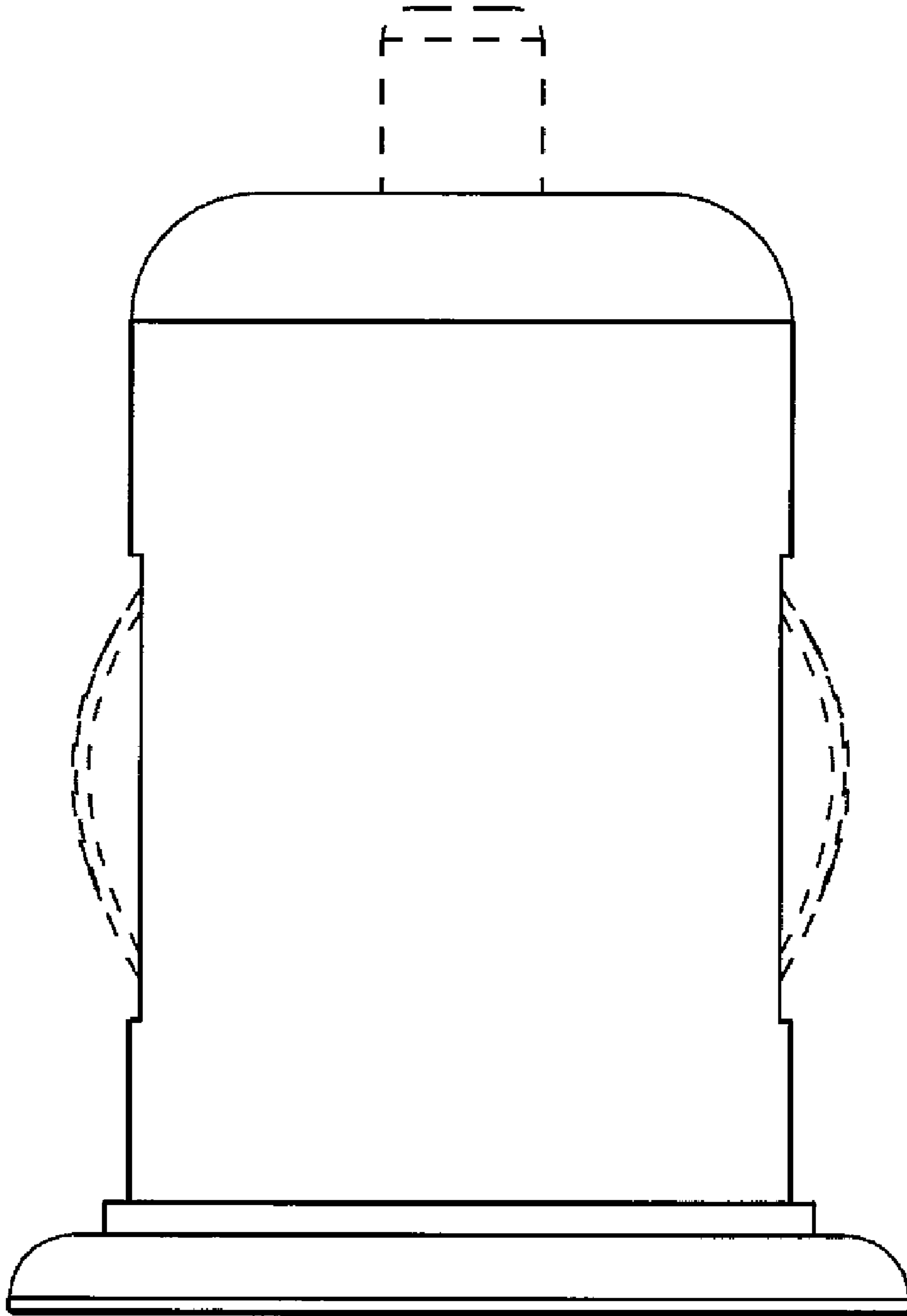


Fig. 6

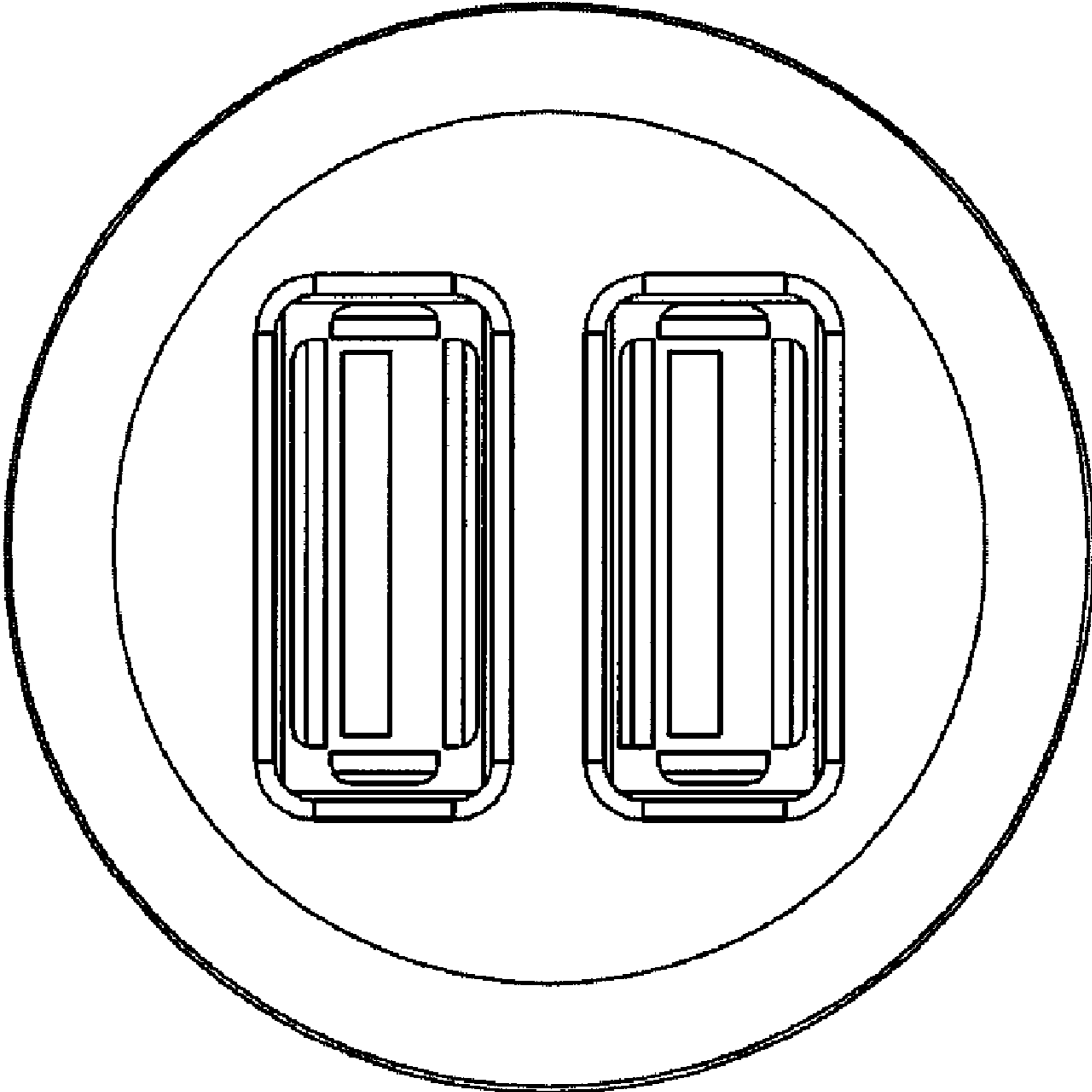


Fig. 7

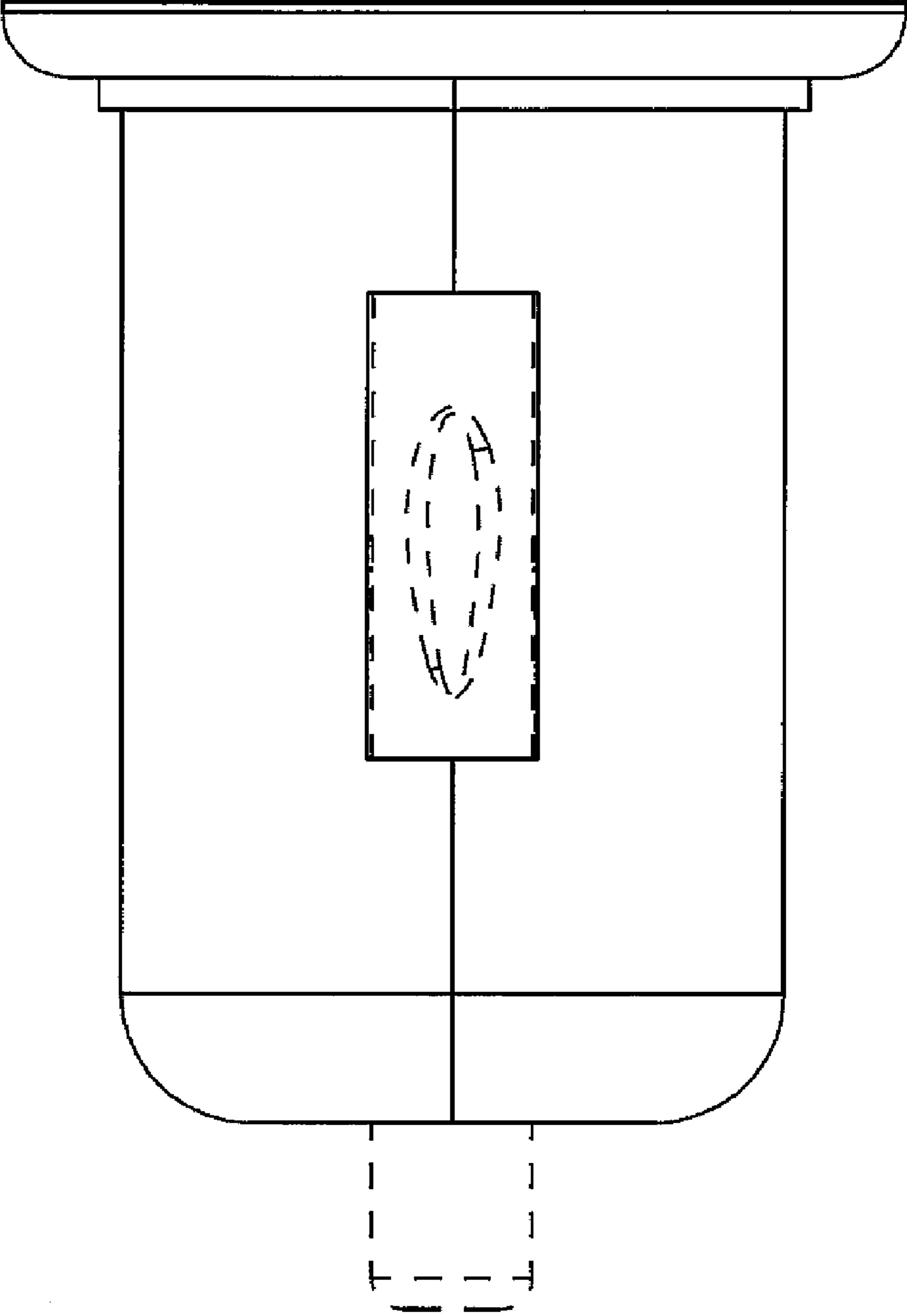


Fig. 8