



US00D624497S

(12) **United States Design Patent**  
**Ishizuka et al.**

(10) **Patent No.:** **US D624,497 S**

(45) **Date of Patent:** **\*\* Sep. 28, 2010**

(54) **STATOR FOR A VEHICLE ROTARY ELECTRIC MACHINE**

(75) Inventors: **Atsuo Ishizuka**, Nagoya (JP); **Shinji Kouda**, Kariya (JP); **Shinichi Ogawa**, Obu (JP)

(73) Assignee: **DENSO CORPORATION**, Kariya (JP)

(\*\*) Term: **14 Years**

(21) Appl. No.: **29/309,962**

(22) Filed: **Nov. 20, 2008**

(30) **Foreign Application Priority Data**

May 29, 2008 (JP) ..... 2008-013433

(51) **LOC (9) Cl.** ..... **13-01**

(52) **U.S. Cl.** ..... **D13/122; D13/118**

(58) **Field of Classification Search** ..... D13/122, D13/118, 199; 29/596, 732, 735, 736; 310/49, 310/68 B, 179, 180, 201, 263, 264

See application file for complete search history.

(56) **References Cited**

**U.S. PATENT DOCUMENTS**

4,741,098	A	5/1988	Barrera	
5,113,573	A	5/1992	Taji et al.	
5,396,137	A *	3/1995	Shinto et al.	310/156.44
5,998,903	A *	12/1999	Umeda et al.	310/179
D425,857	S	5/2000	Umeda et al.	
D426,191	S *	6/2000	Umeda et al.	D13/122
D447,114	S *	8/2001	Asao et al.	D13/122
D447,115	S *	8/2001	Asao et al.	D13/122
D447,731	S *	9/2001	Asao et al.	D13/122
D448,004	S *	9/2001	Asao et al.	D13/122
D448,343	S	9/2001	Asao et al.	
D466,477	S	12/2002	Oohashi et al.	
D467,870	S	12/2002	Oohashi et al.	
D469,740	S	2/2003	Oohashi et al.	
D476,295	S	6/2003	Oohashi et al.	
7,135,793	B2	11/2006	Seguchi et al.	
D596,121	S	7/2009	Okamoto et al.	
7,644,492	B2	1/2010	Tamura et al.	

7,647,689	B2	1/2010	Nishimura et al.	
2003/0015932	A1 *	1/2003	Oohashi et al.	310/201
2006/0103255	A1	5/2006	Seguchi et al.	
2006/0226727	A1 *	10/2006	Bramson et al.	310/180
2007/0018527	A1	1/2007	Neet	
2007/0024249	A1	2/2007	Dooley	
2009/0096313	A1	4/2009	Harada et al.	
2009/0230807	A1	9/2009	Fubuki et al.	

(Continued)

**OTHER PUBLICATIONS**

U.S. Appl. No. 29/352,952, filed Dec. 30, 2009, Ishizuka et al.

(Continued)

*Primary Examiner*—Prabhakar Deshmukh

*Assistant Examiner*—Derrick Holland

(74) *Attorney, Agent, or Firm*—Posz Law Group, PLC

(57) **CLAIM**

The ornamental design for a stator for a vehicle rotary electric machine, as shown and described.

**DESCRIPTION**

This application is also related to U.S. patent application Ser. No. 29/309,963 filed simultaneously on Nov. 20, 2008 with the present application and entitled “Stator for a Vehicle Rotary Electric Machine”.

FIG. 1 is a front perspective view of a stator for a vehicle rotary electric machine showing our new design;

FIG. 2 is a front view thereof;

FIG. 3 is a rear view thereof;

FIG. 4 is a top plan view thereof;

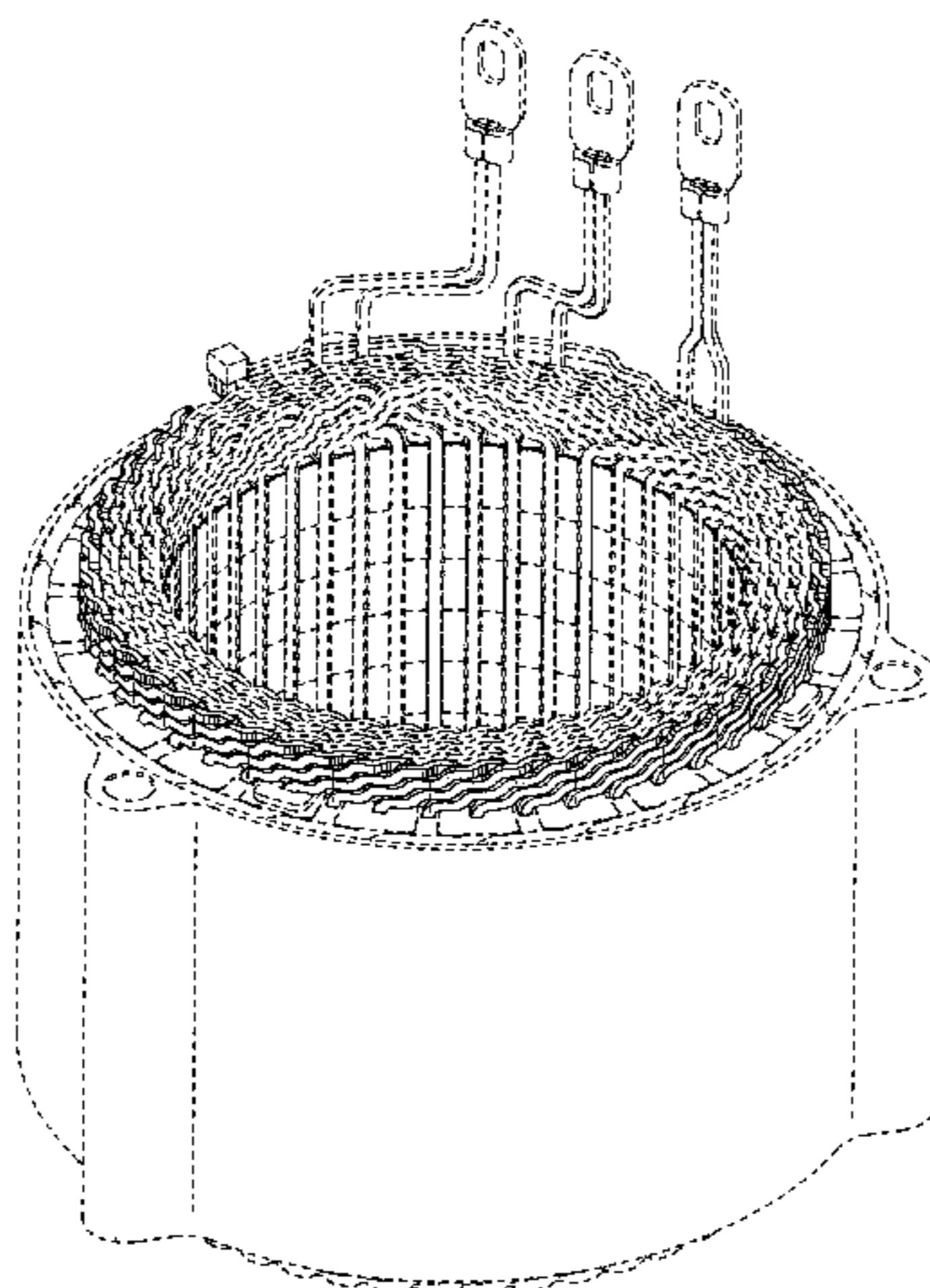
FIG. 5 is a bottom plan view thereof;

FIG. 6 is a right side view thereof; and,

FIG. 7 is a left side view thereof.

The broken lines showing are for illustrative purposes only and form no part of the claimed design.

**1 Claim, 7 Drawing Sheets**



# US D624,497 S

Page 2

---

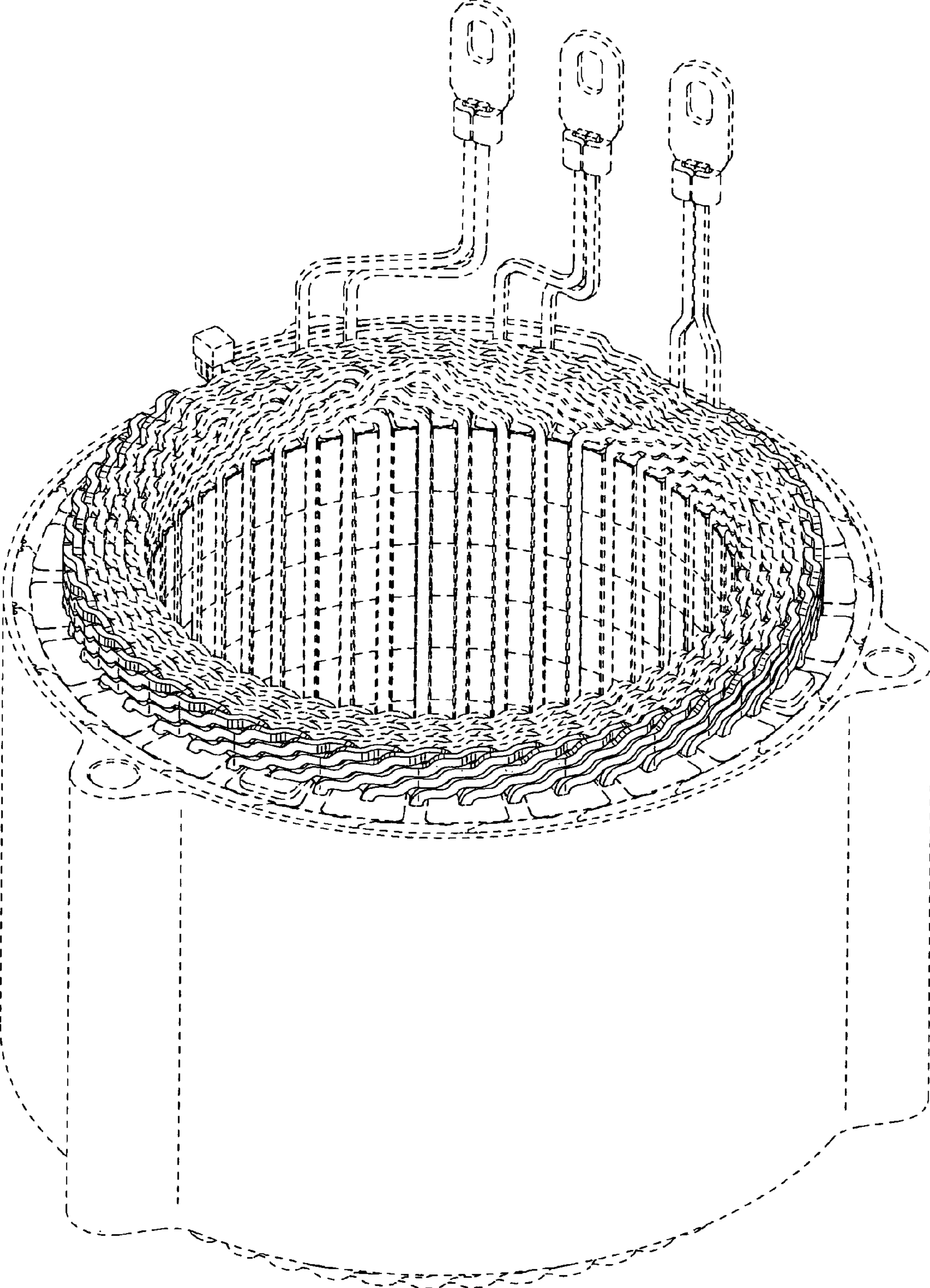
## U.S. PATENT DOCUMENTS

2009/0230808 A1 9/2009 Tatebe  
2009/0261682 A1 10/2009 Fubuki et al.  
2009/0309452 A1 12/2009 Tao et al.  
2009/0322167 A1 12/2009 Ishizuka et al.  
2010/0000075 A1 1/2010 Akimoto et al.  
2010/0064505 A1 3/2010 Takada et al.

## OTHER PUBLICATIONS

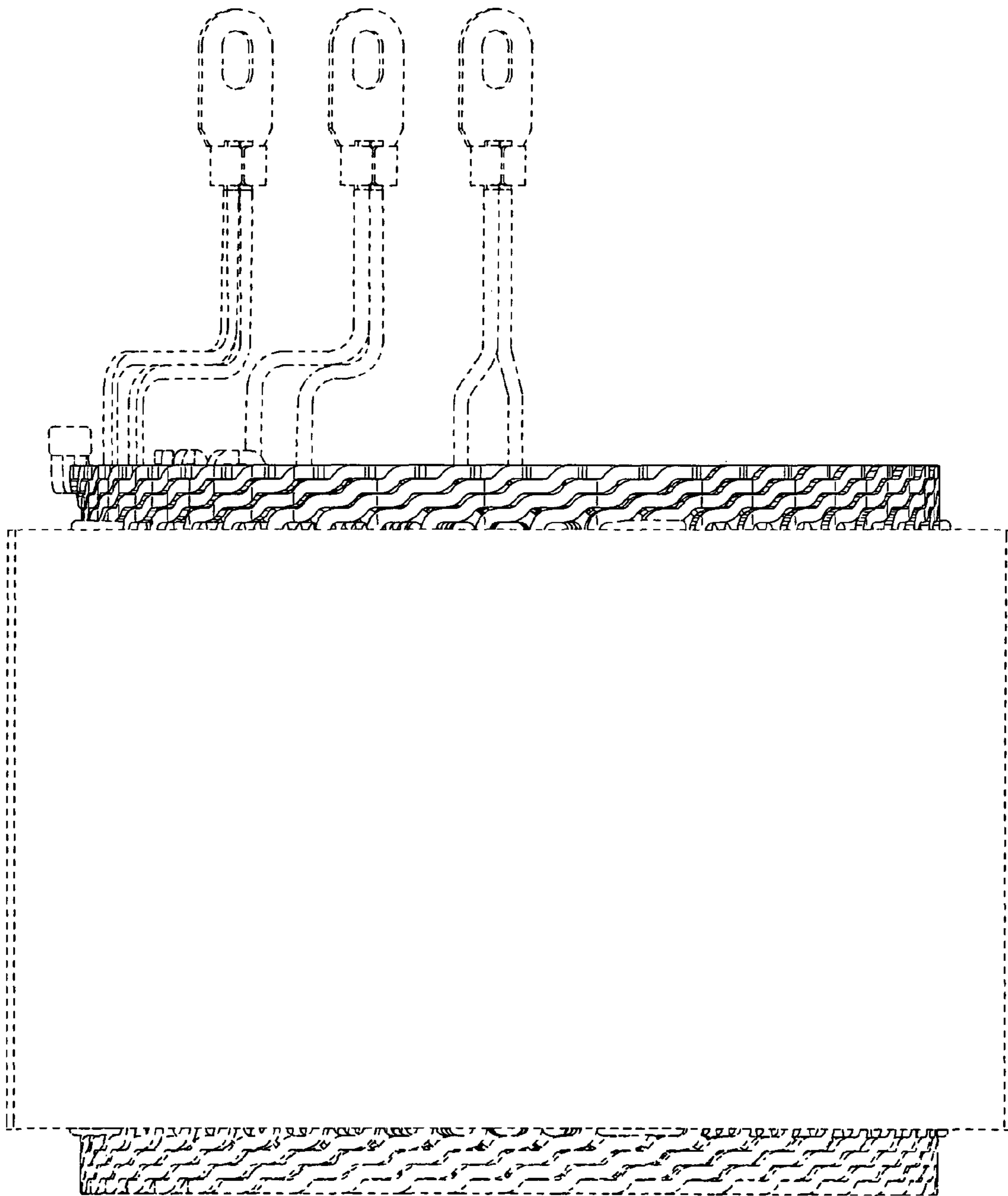
U.S. Appl. No. 29/352,970, filed Dec. 30, 2009, Ishizuka et al.  
Office Action issued by the U.S. Patent Office on Dec. 7, 2009 in  
connection with related U.S. Appl. No. 29/309,963.  
Notice of Allowance issued by the U.S. Patent Office on May 14,  
2010 in connection with related U.S. Appl. No. 29/352,970.  
\* cited by examiner

**FIG. 1**

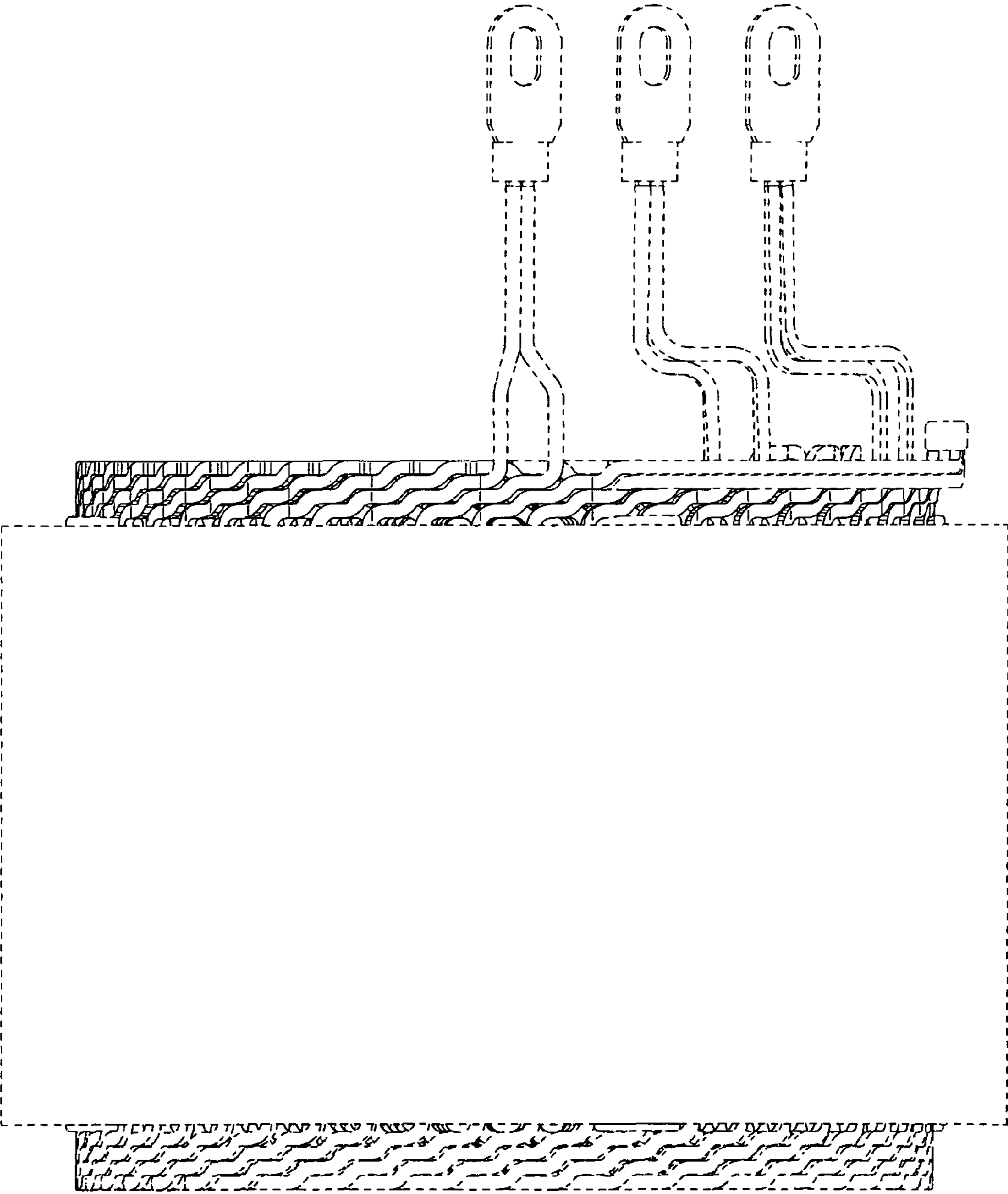




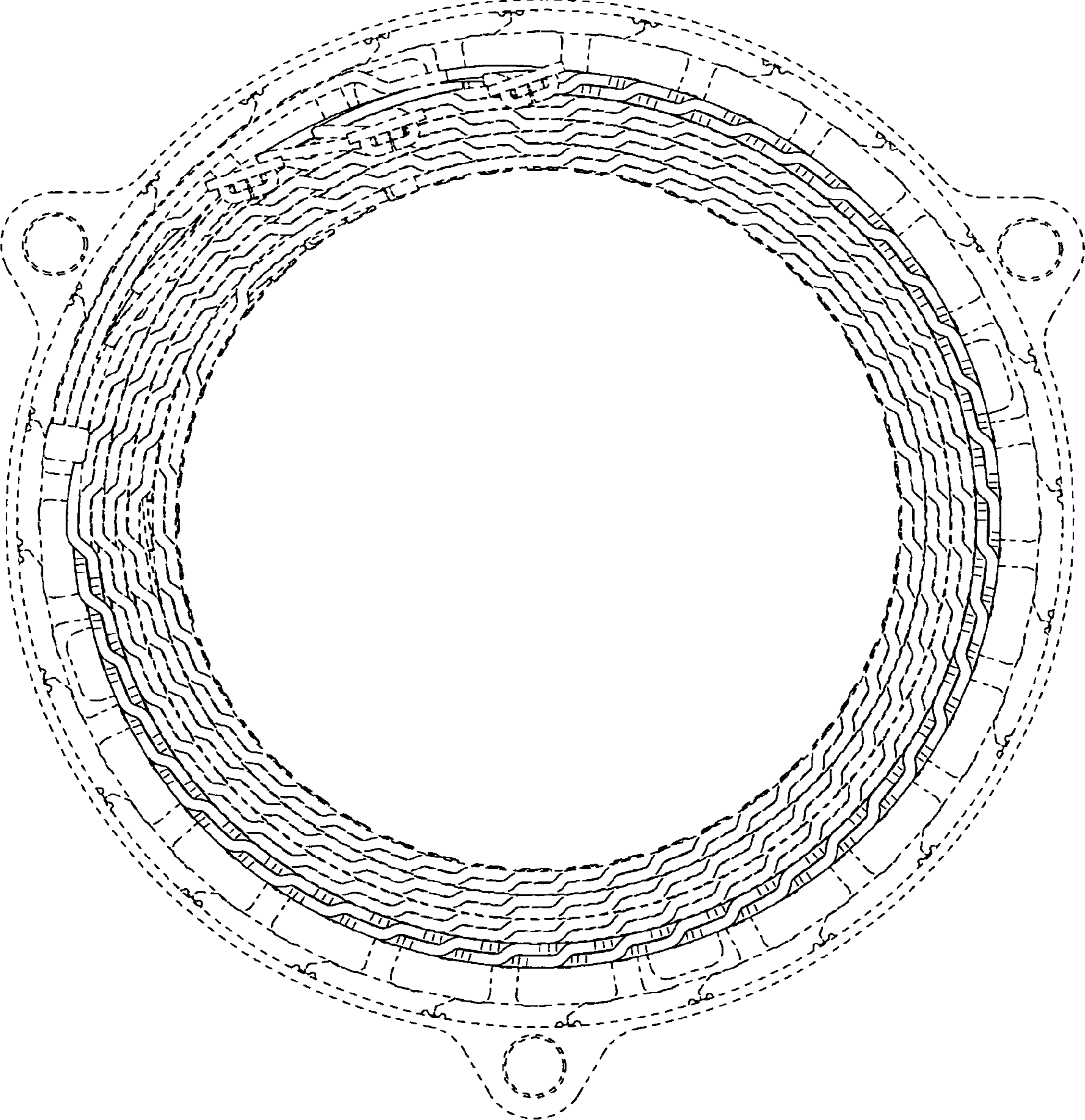
**FIG. 2**



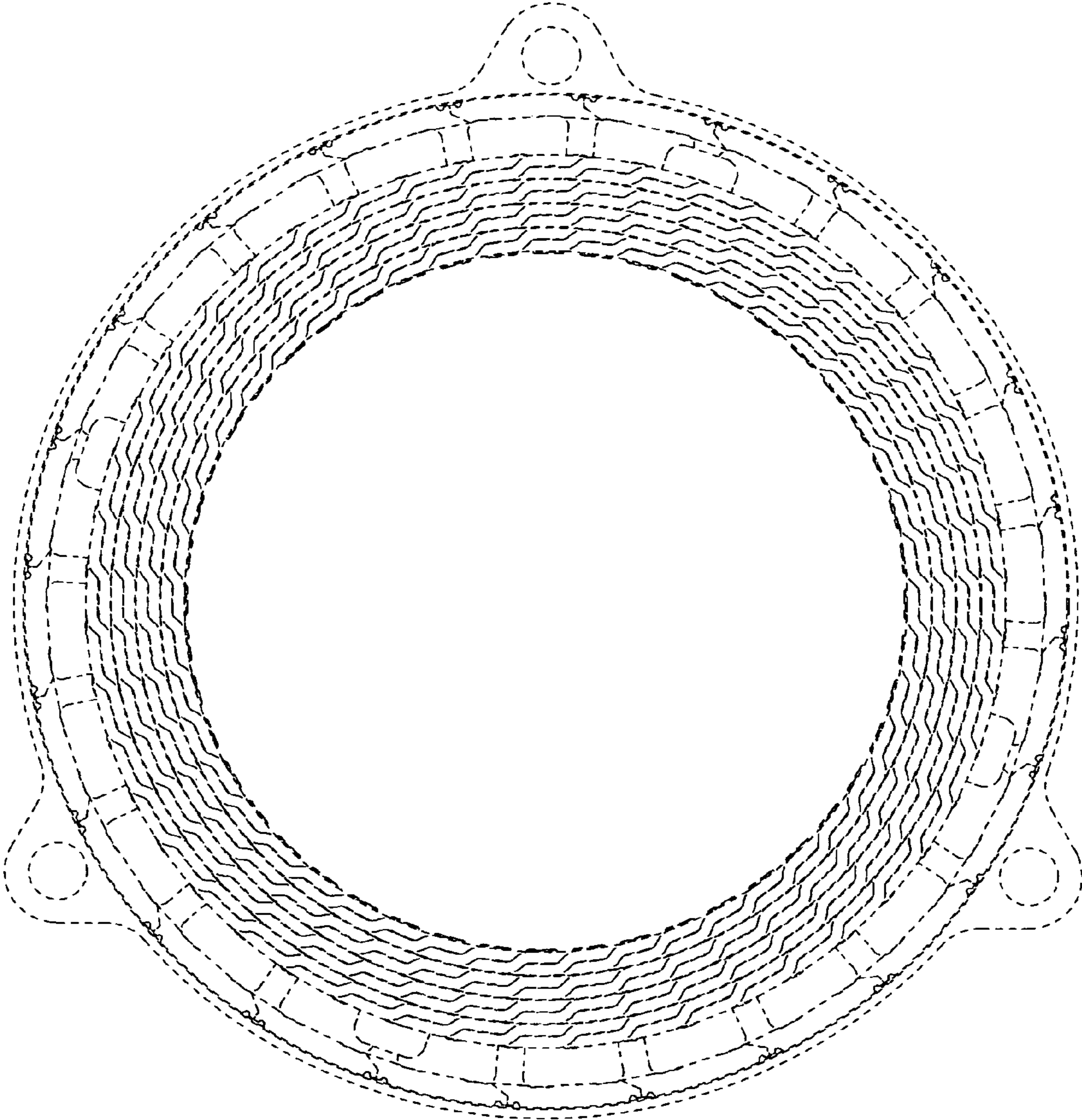
**FIG. 3**



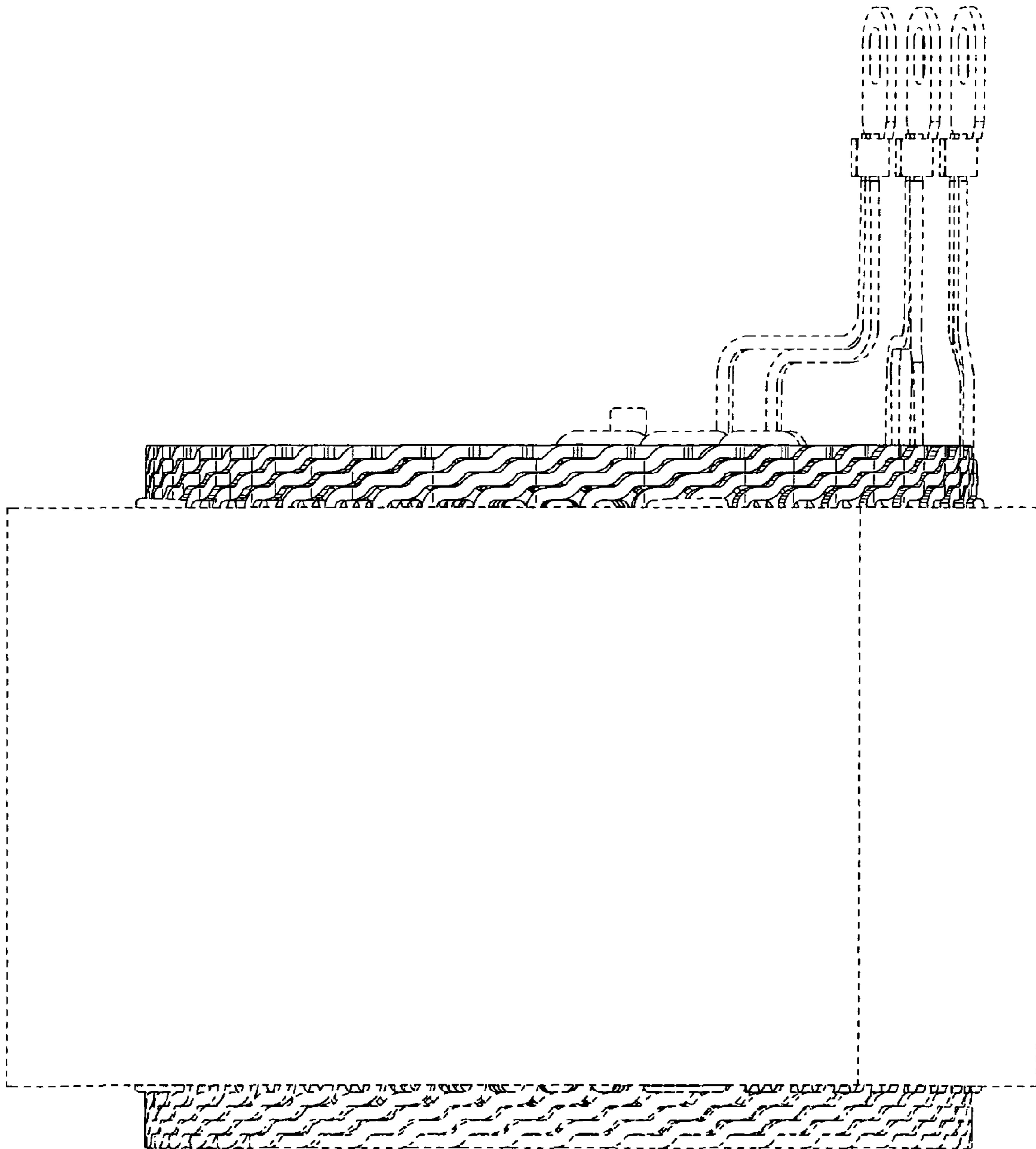
**FIG. 4**



**FIG. 5**



**FIG. 6**





**FIG. 7**

