



US00D624496S

(12) **United States Design Patent**
Zenkus et al.

(10) **Patent No.:** **US D624,496 S**

(45) **Date of Patent:** **** Sep. 28, 2010**

(54) **JUMP STARTER**

(75) Inventors: **Joseph J. Zenkus**, Lake in the Hills, IL (US); **Patrick J. Clarke**, St. Charles, IL (US)

(73) Assignee: **Schumacher Electric Corporation**, Mt. Prospect, IL (US)

(**) Term: **14 Years**

(21) Appl. No.: **29/340,319**

(22) Filed: **Jul. 16, 2009**

(51) **LOC (9) Cl.** **13-01**

(52) **U.S. Cl.** **D13/116**

(58) **Field of Classification Search** D13/110,
D13/101, 106, 107, 116, 123, 184, 199; 307/150,
307/151; 320/105, 107, 108, 109, 111, 112,
320/165

See application file for complete search history.

(56) **References Cited**

U.S. PATENT DOCUMENTS

D314,743 S *	2/1991	Ishii	D13/116
5,121,715 A *	6/1992	Nogami et al.	123/41.7
D407,065 S *	3/1999	Chang	D13/110
D423,451 S *	4/2000	Heckenast et al.	D13/110
D514,508 S *	2/2006	Krieger et al.	D13/107
D519,448 S *	4/2006	Leung	D13/107
D547,718 S *	7/2007	Helgeson et al.	D13/116
D572,657 S *	7/2008	Li	D13/116
2005/0110467 A1 *	5/2005	Thomason	320/165
2005/0156564 A1 *	7/2005	Krieger	320/112

OTHER PUBLICATIONS

U.S. Appl. No. 29/354,853, filed Jan. 29, 2010, Barbara M. DuMelle.
U.S. Appl. No. 29/354,879, filed Jan. 29, 2010, Barbara M. DuMelle.

U.S. Appl. No. 29/354,859, filed Jan. 29, 2010, Barbara M. DuMelle.
U.S. Appl. No. 29/354,851, filed Jan. 29, 2010, Barbara M. DuMelle.
U.S. Appl. No. 29/354,897, filed Jan. 29, 2010, Barbara M. DuMelle.
U.S. Appl. No. 29/354,887, filed Jan. 29, 2010, Barbara M. DuMelle.
U.S. Appl. No. 29/356,065, filed Feb. 19, 2010, Barbara M. DuMelle.
U.S. Appl. No. 29/354,902, filed Jan. 29, 2010, Barbara M. DuMelle.

* cited by examiner

Primary Examiner—Stella M Reid

Assistant Examiner—Derrick Holland

(74) *Attorney, Agent, or Firm*—John S. Paniaguas; Katten Muchin Rosenman LLP

(57) **CLAIM**

The ornamental design for a jump starter, as shown and described.

DESCRIPTION

FIG. 1 is a front isometric view of the jump starter in accordance with the present invention.

FIG. 2 is a rear isometric view of the jump starter illustrated in FIG. 1.

FIG. 3 is a front elevational view of the jump starter illustrated in FIG. 1.

FIG. 4 is a rear elevational view of the jump starter illustrated in FIG. 1.

FIG. 5 is a left side elevational view of the jump starter illustrated in FIG. 1.

FIG. 6 is a bottom plan view of the jump starter illustrated in FIG. 1; and,

FIG. 7 is a top plan view of the jump starter illustrated in FIG. 1.

The broken lines shown represent unclaimed subject matter and form no part of the claimed invention.

1 Claim, 6 Drawing Sheets

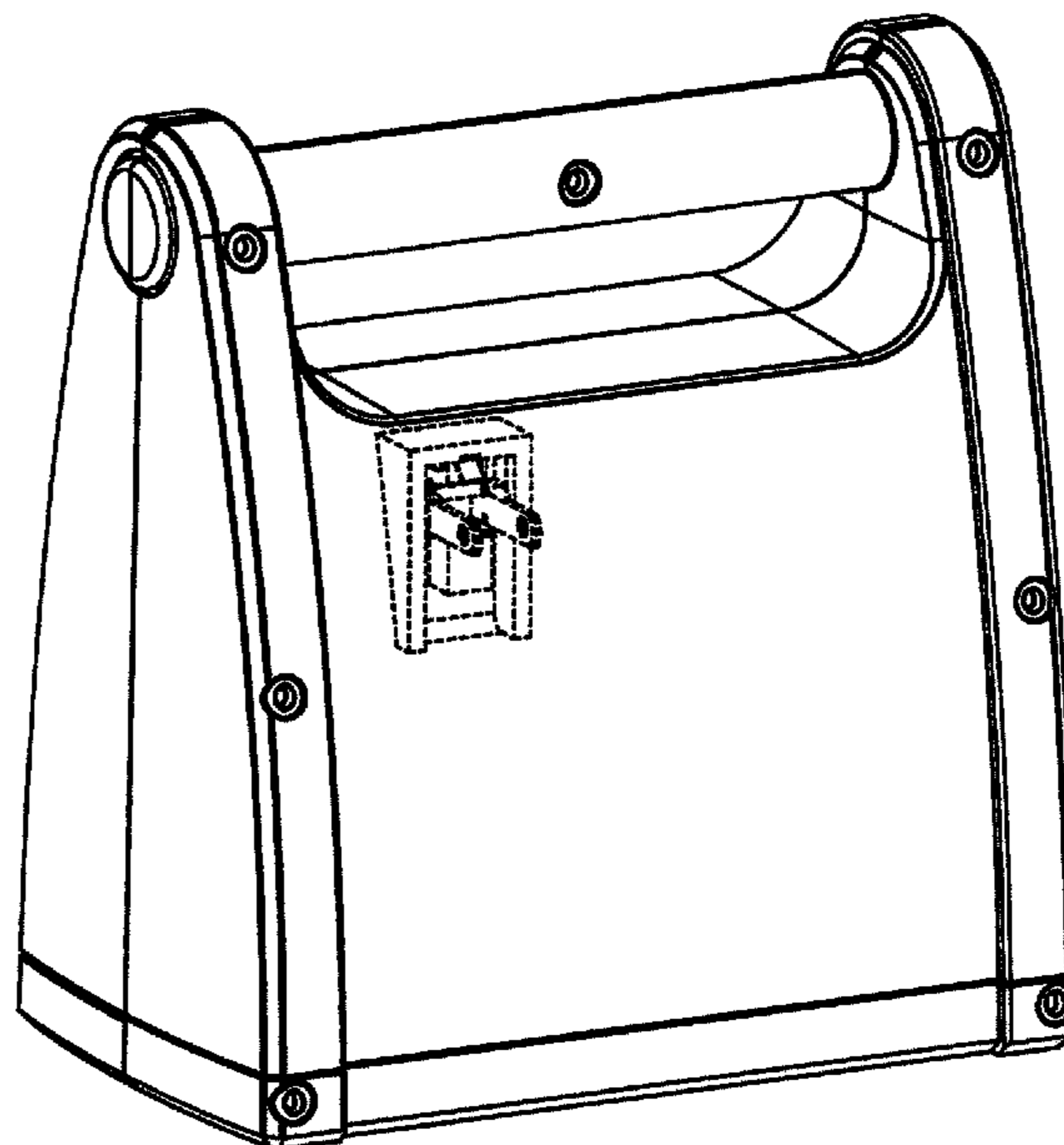




FIG. 1

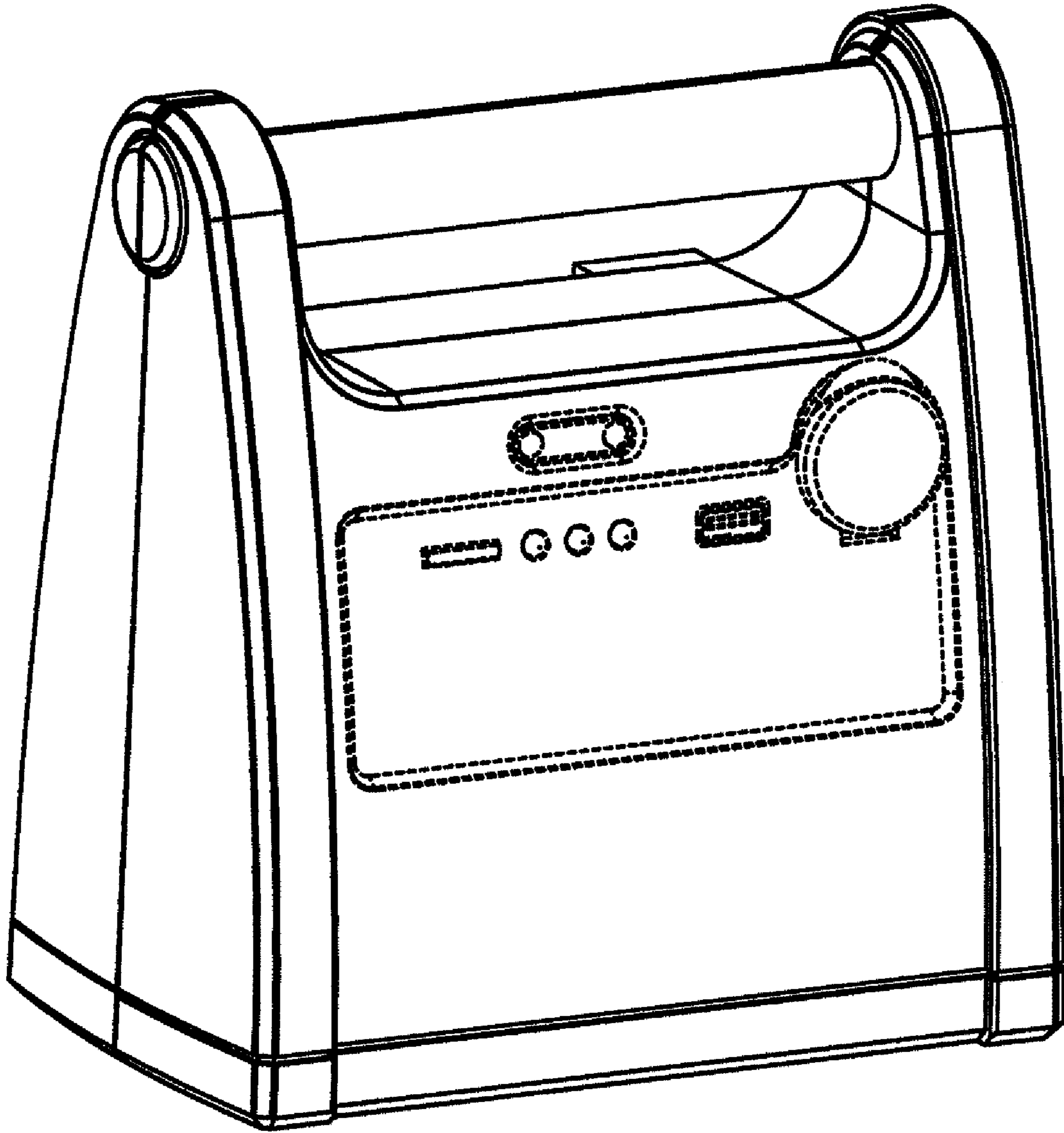


FIG. 2

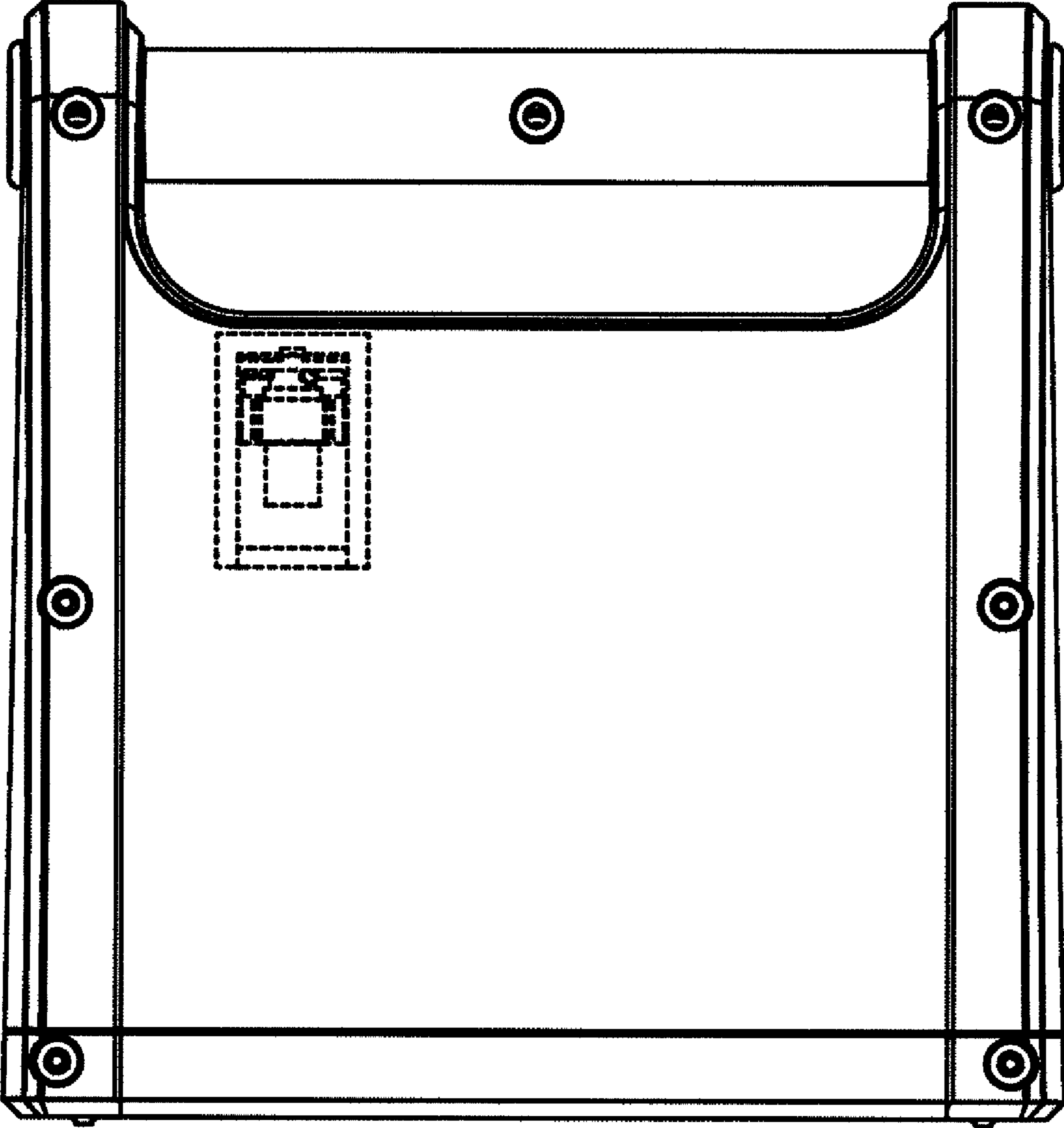


FIG. 3

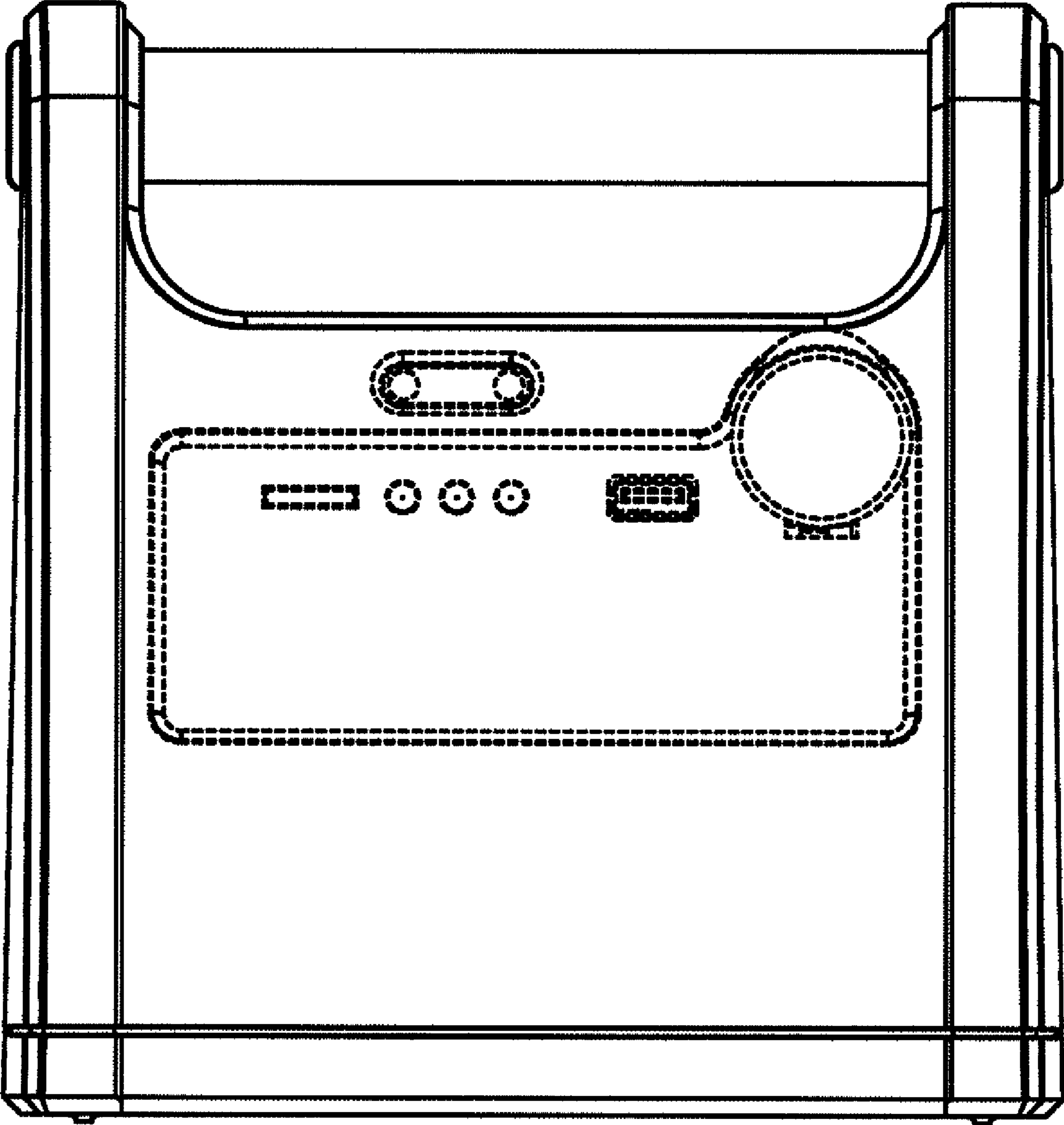


FIG. 4

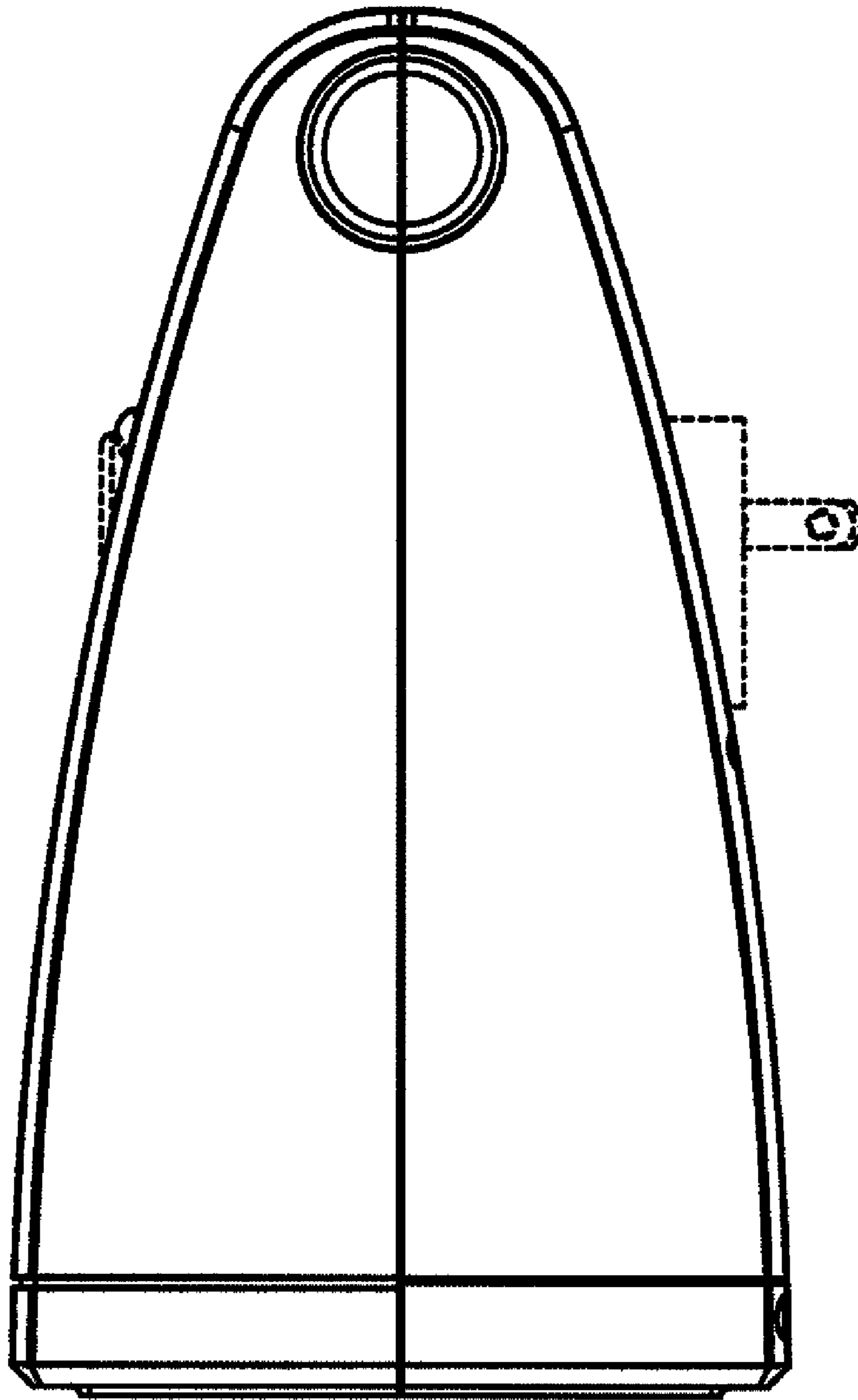


FIG. 5

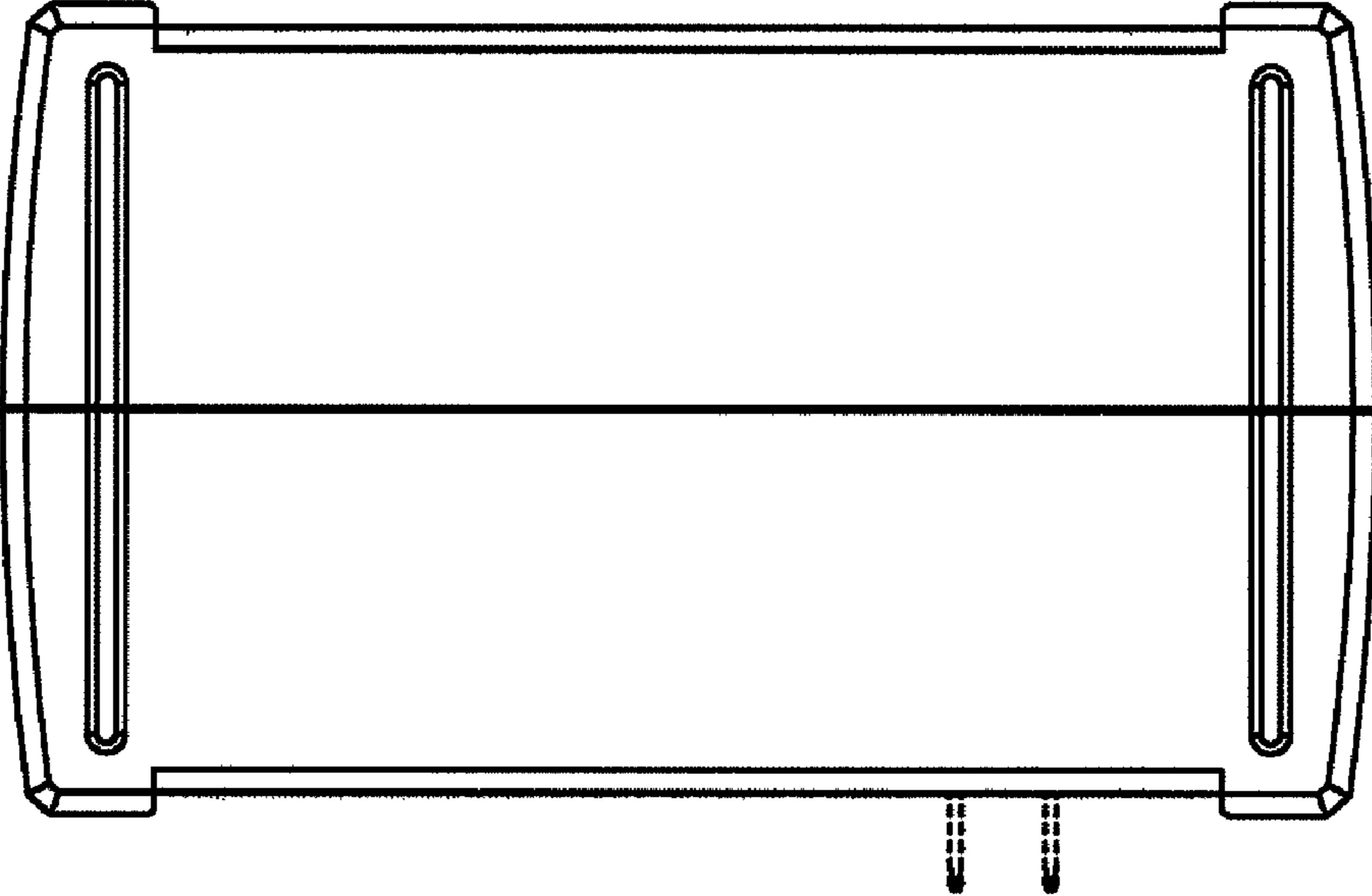


FIG. 6

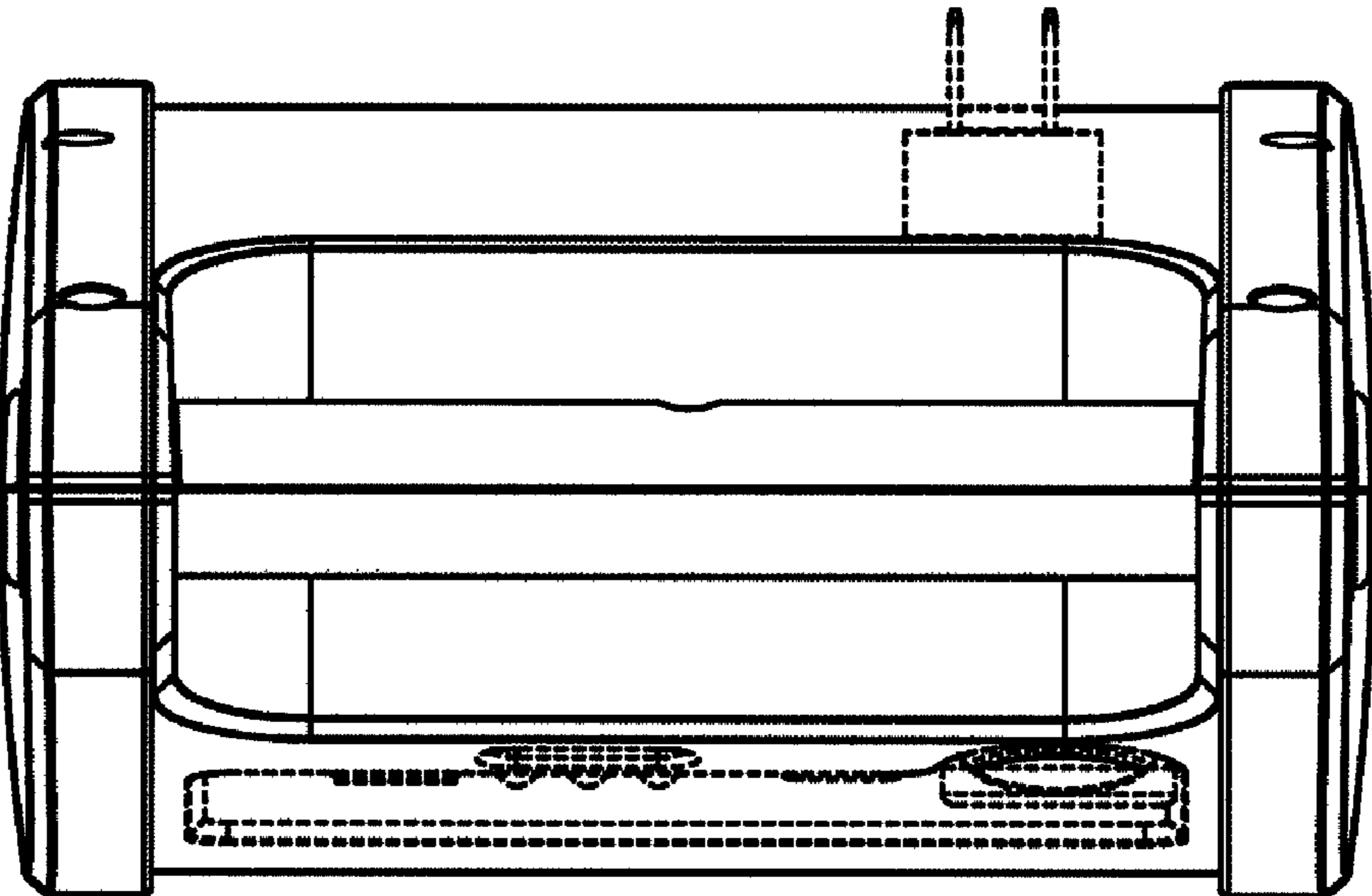


FIG. 7