



US00D624495S

(12) **United States Design Patent**
Shum et al.

(10) **Patent No.:** **US D624,495 S**

(45) **Date of Patent:** **** Sep. 28, 2010**

(54) **INVERTER**

(75) Inventors: **Henry Shum**, Hong Kong (CN); **Chan Wing Chiu**, Hong Kong (CN)

(73) Assignee: **Sunlux Enterprise Ltd.**, Hong Kong (CN)

(**) Term: **14 Years**

(21) Appl. No.: **29/350,645**

(22) Filed: **Nov. 20, 2009**

(51) **LOC (9) Cl.** **13-02**

(52) **U.S. Cl.** **D13/110**

(58) **Field of Classification Search** D13/110,
D13/123, 139.1, 184, 199; D14/432, 433;
361/600, 601, 679.01, 709, 730; 363/141,
363/142, 146, 147

See application file for complete search history.

(56) **References Cited**

U.S. PATENT DOCUMENTS

5,497,289	A *	3/1996	Sugishima et al.	361/709
5,949,640	A *	9/1999	Cameron et al.	361/600
D427,146	S *	6/2000	Wei	D13/110
D427,969	S *	7/2000	Wei	D13/110
D496,629	S *	9/2004	Hriscu et al.	D13/110
D544,438	S *	6/2007	Hussaini et al.	D13/110
D548,693	S *	8/2007	Krieger et al.	D13/110

* cited by examiner

Primary Examiner—Prabhakar Deshmukh

Assistant Examiner—Derrick Holland

(74) *Attorney, Agent, or Firm*—Venable LLP; Robert Kinberg; Justine A. Gozzi

(57) **CLAIM**

The ornamental design for an inverter, as shown and described.

DESCRIPTION

FIG. 1 is a top, front and left side perspective of an inverter showing our new design;

FIG. 2 is a front elevation view thereof;

FIG. 3 is a back elevation view thereof;

FIG. 4 is a left side view thereof;

FIG. 5 is a right side view thereof;

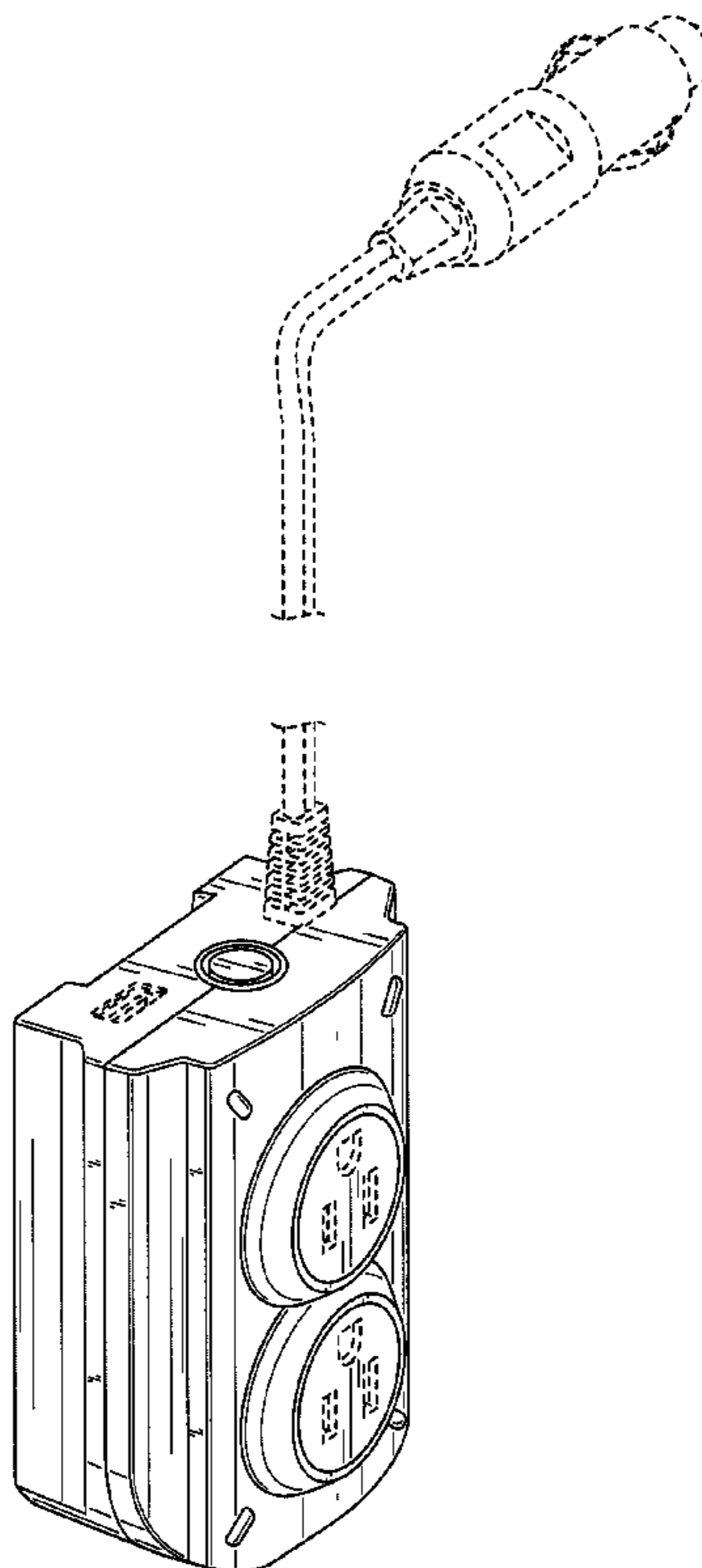
FIG. 6 is a top plan view thereof;

FIG. 7 is a bottom plan view thereof; and,

FIG. 8 is a top, back and left side perspective view thereof.

The broken lines shown are for illustrative purposes only and form no part of the claim. Where broken lines abut a claimed surface it is understood that those broken lines represent an unclaimed boundary between claimed and unclaimed surfaces. None of the broken lines form any part of the claimed design.

1 Claim, 6 Drawing Sheets



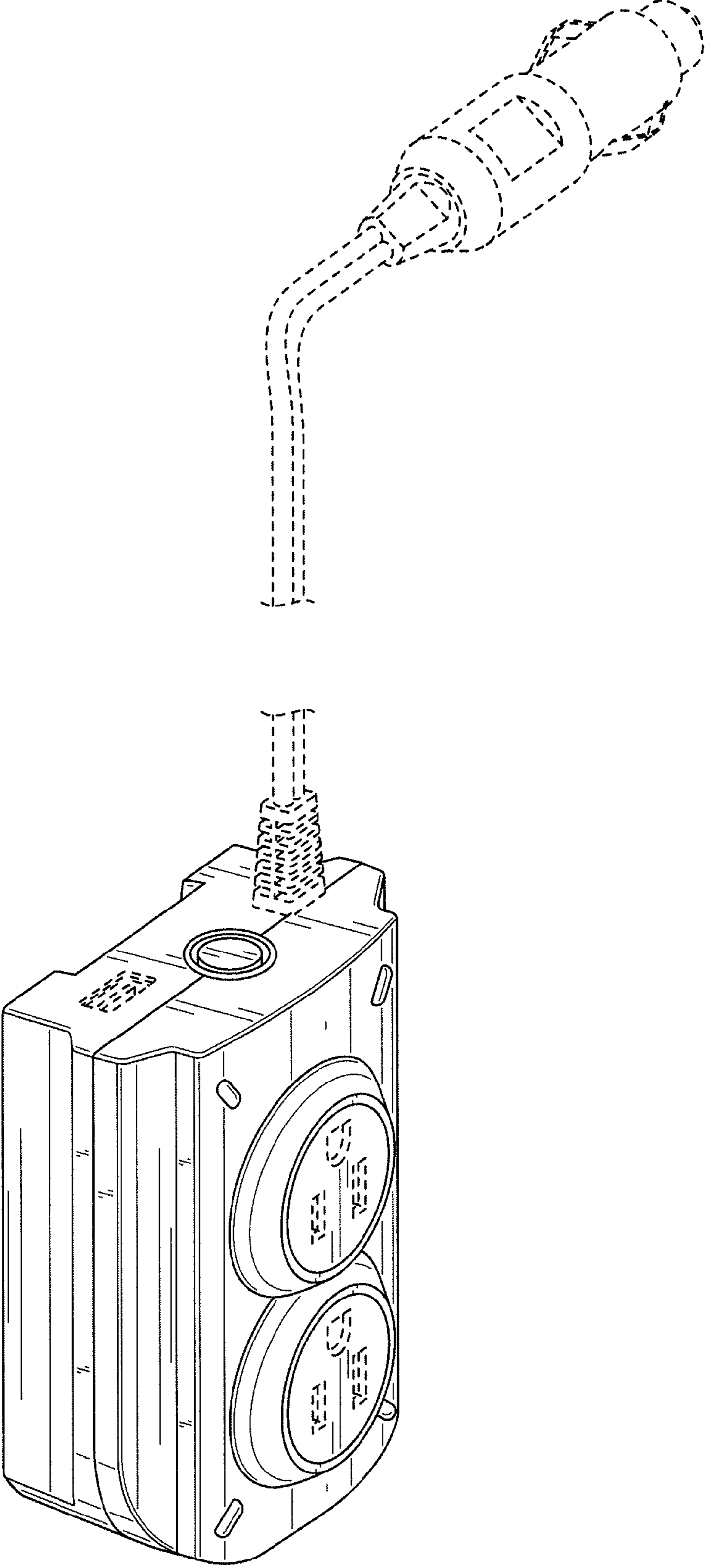


FIG. 1

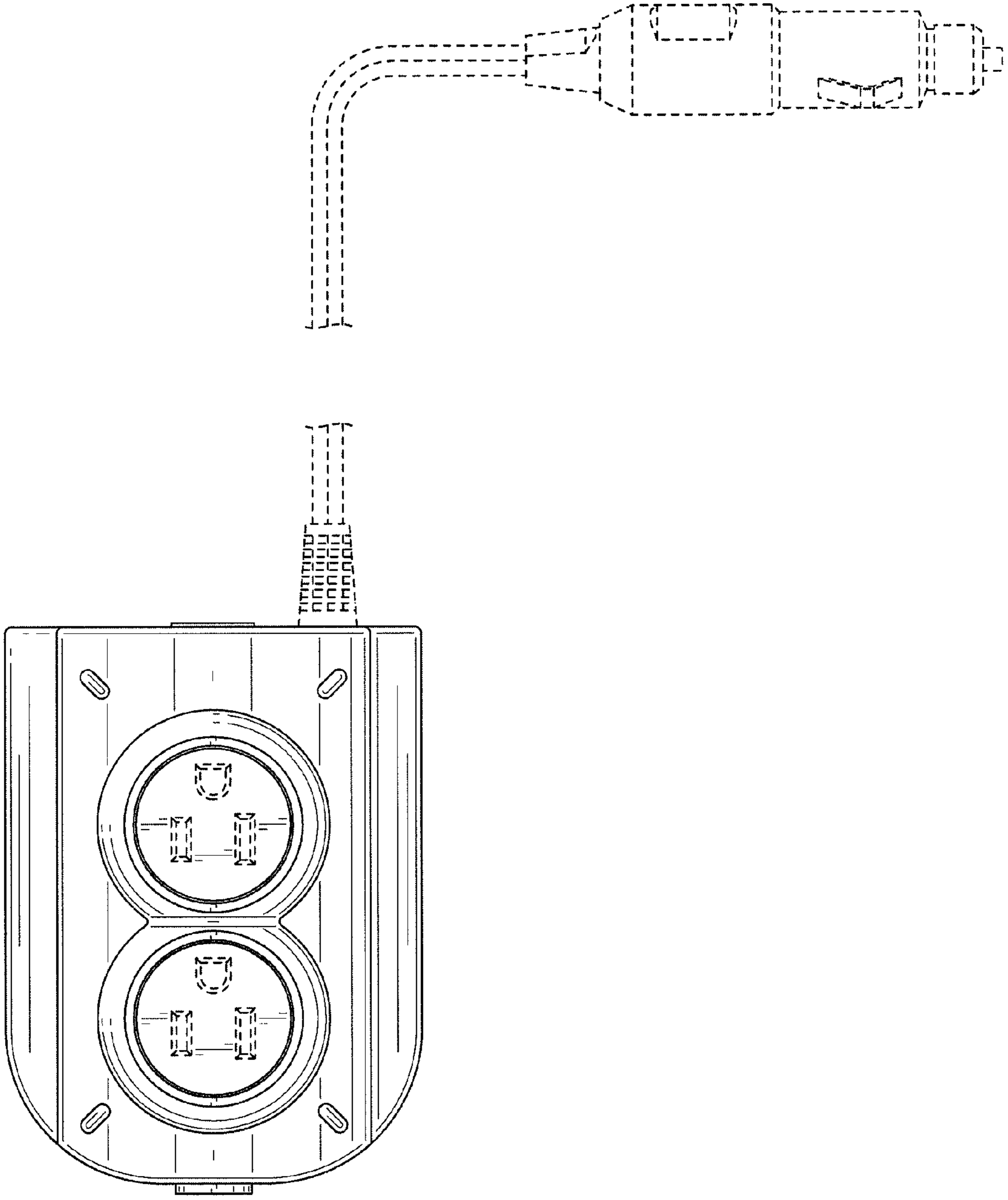


FIG. 2

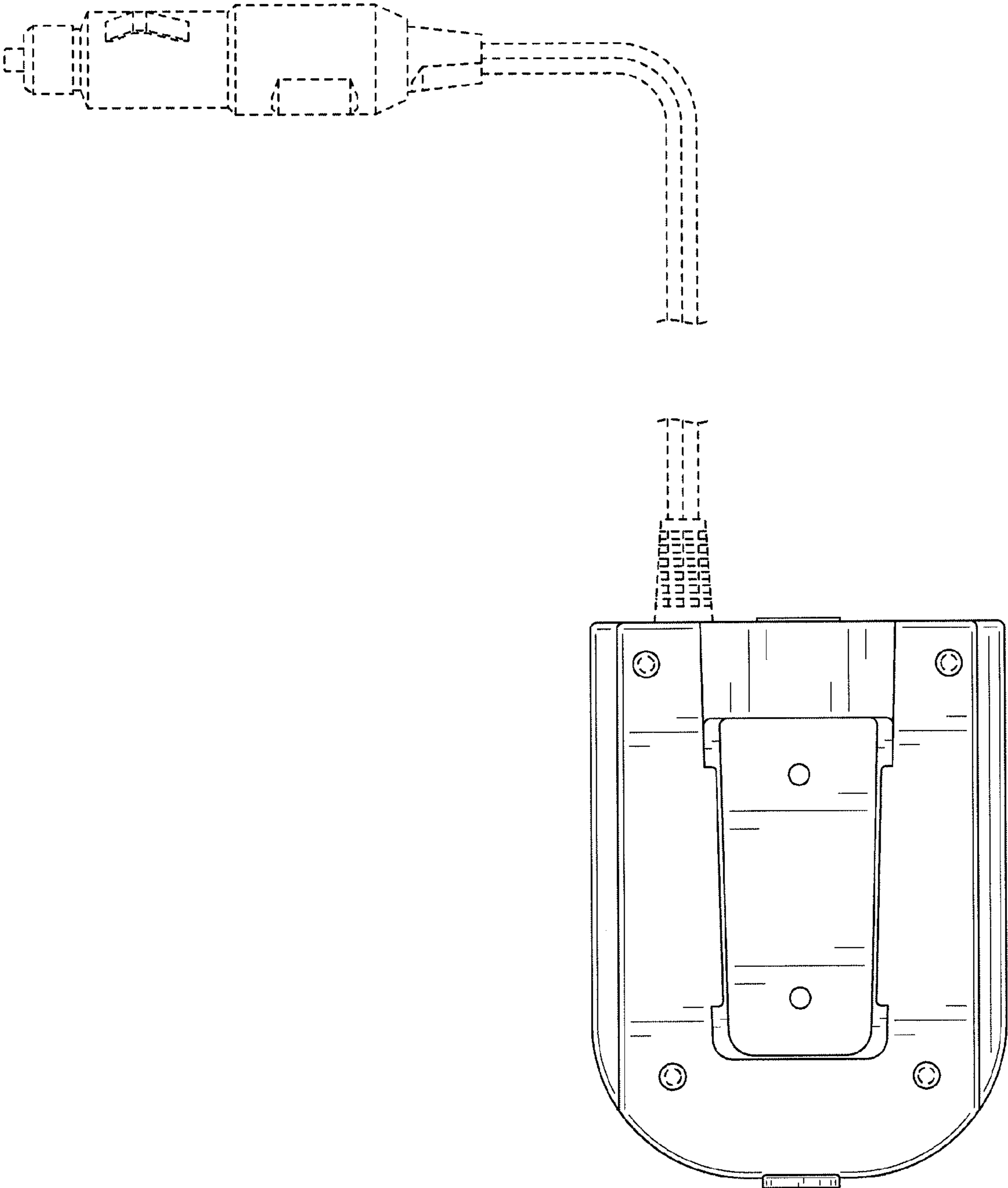


FIG. 3

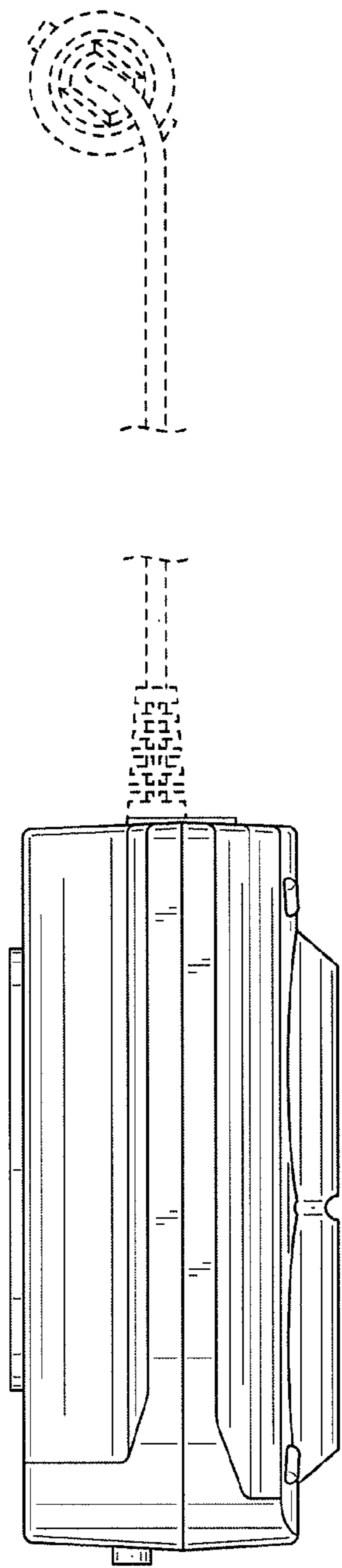


FIG. 4

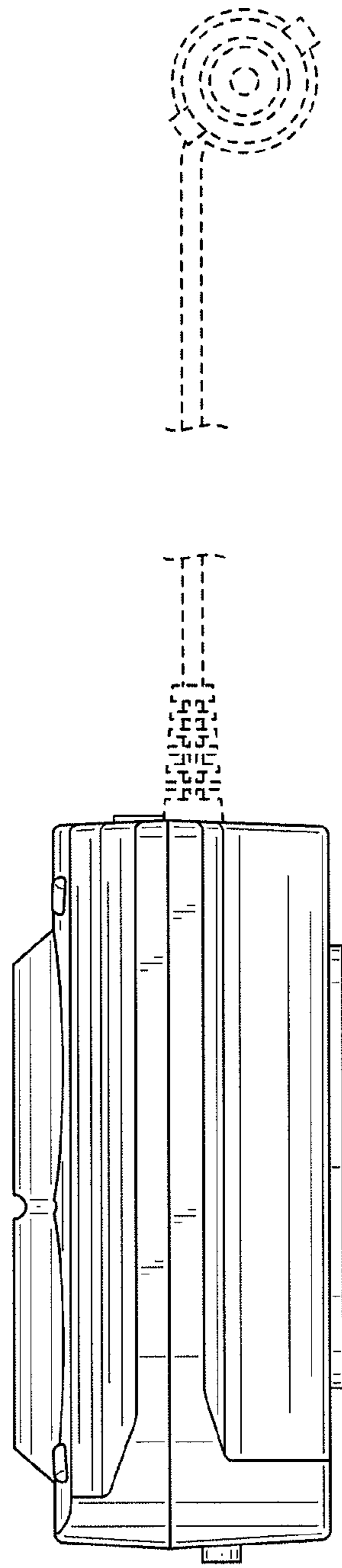


FIG. 5

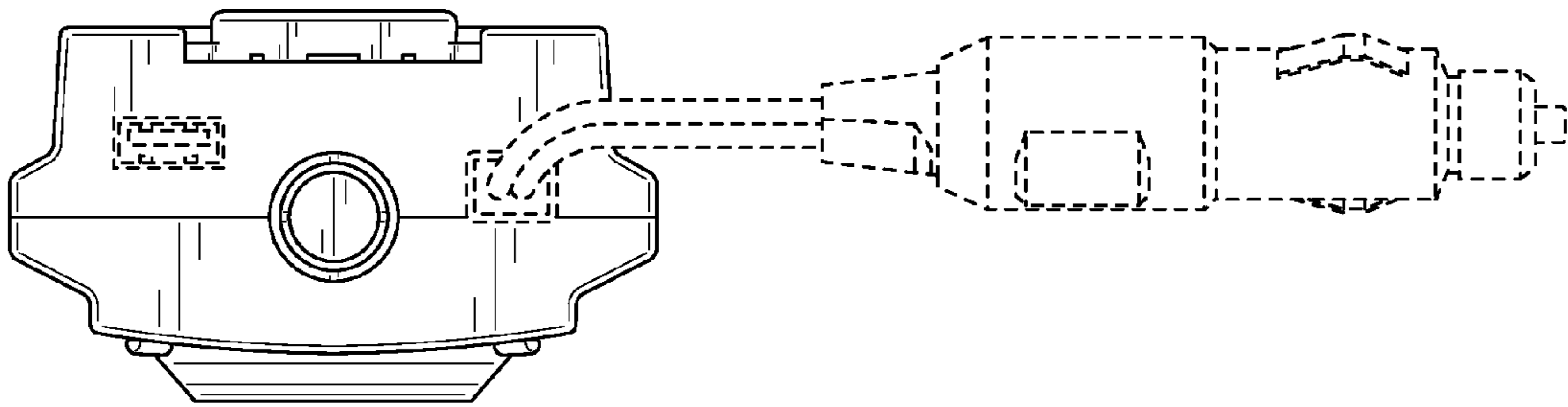


FIG. 6

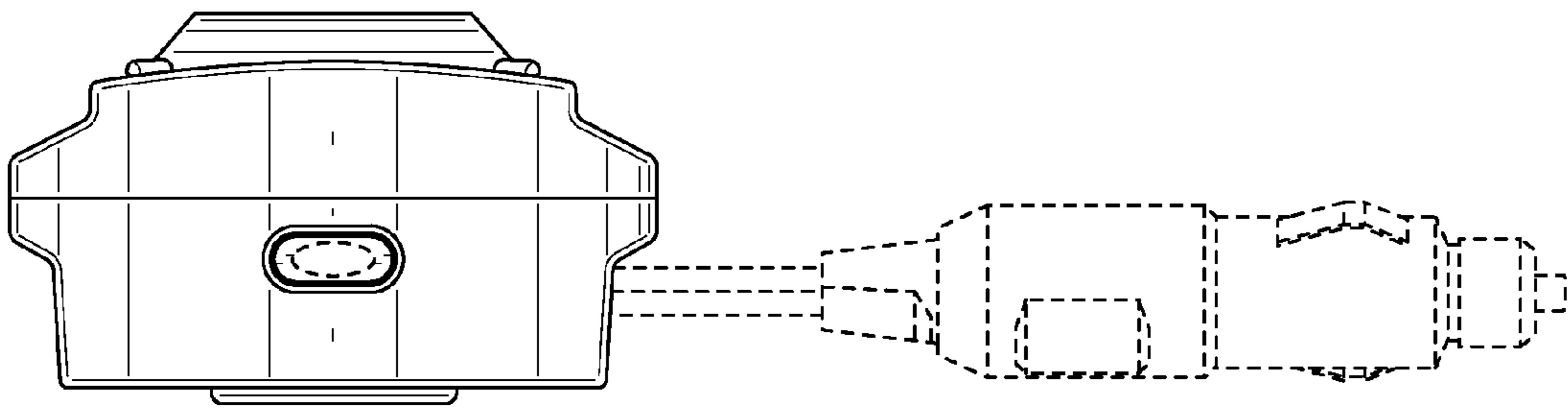


FIG. 7

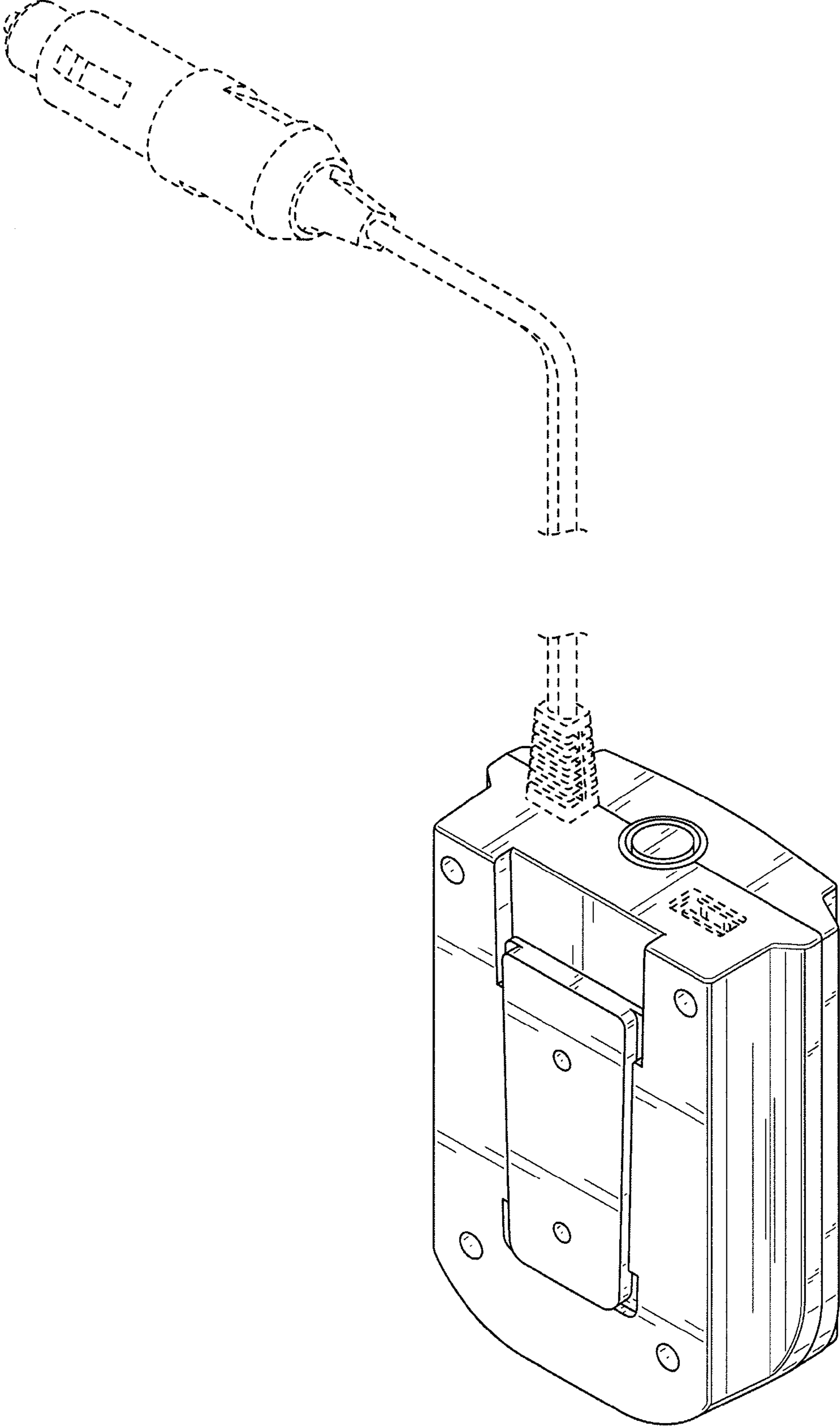


FIG. 8