



US00D624494S

(12) **United States Design Patent**
Patterson

(10) **Patent No.:** **US D624,494 S**

(45) **Date of Patent:** **** Sep. 28, 2010**

(54) **BATTERY ISOLATOR DEVICE**

D402,633 S 12/1998 Wirth
D406,565 S * 3/1999 Gonser D13/159
D592,152 S 5/2009 Lin

(75) Inventor: **Ciaran Patterson**, Chicago, IL (US)

* cited by examiner

(73) Assignee: **C.E. Niehoff & Co.**, Evanston, IL (US)

Primary Examiner—Prabhakar Deshmukh

(**) Term: **14 Years**

Assistant Examiner—Derrick Holland

(21) Appl. No.: **29/316,778**

(74) *Attorney, Agent, or Firm*—Law Offices of Michael M. Ahmadshahi

(22) Filed: **Oct. 29, 2009**

(57) **CLAIM**

(51) **LOC (9) Cl.** **13-02**

The ornamental design for a battery isolator device, as shown and described.

(52) **U.S. Cl.** **D13/110**

(58) **Field of Classification Search** D13/114,
D13/101, 103, 106, 107, 110, 119, 120, 158,
D13/159, 160; 307/9.1, 10.6, 10.7, 85, 115,
307/126; 322/25, 28, 37; 335/106, 107;
361/20, 21

See application file for complete search history.

DESCRIPTION

FIG. 1 is a front view of a battery isolator device according to the present invention.

FIG. 2 is a rear view thereof.

FIG. 3 is a first side view thereof.

FIG. 4 is a second side view thereof.

FIG. 5 is a top view thereof.

FIG. 6 is a bottom view thereof.

FIG. 7 is a first isometric view thereof; and,

FIG. 8 is a second isometric view thereof.

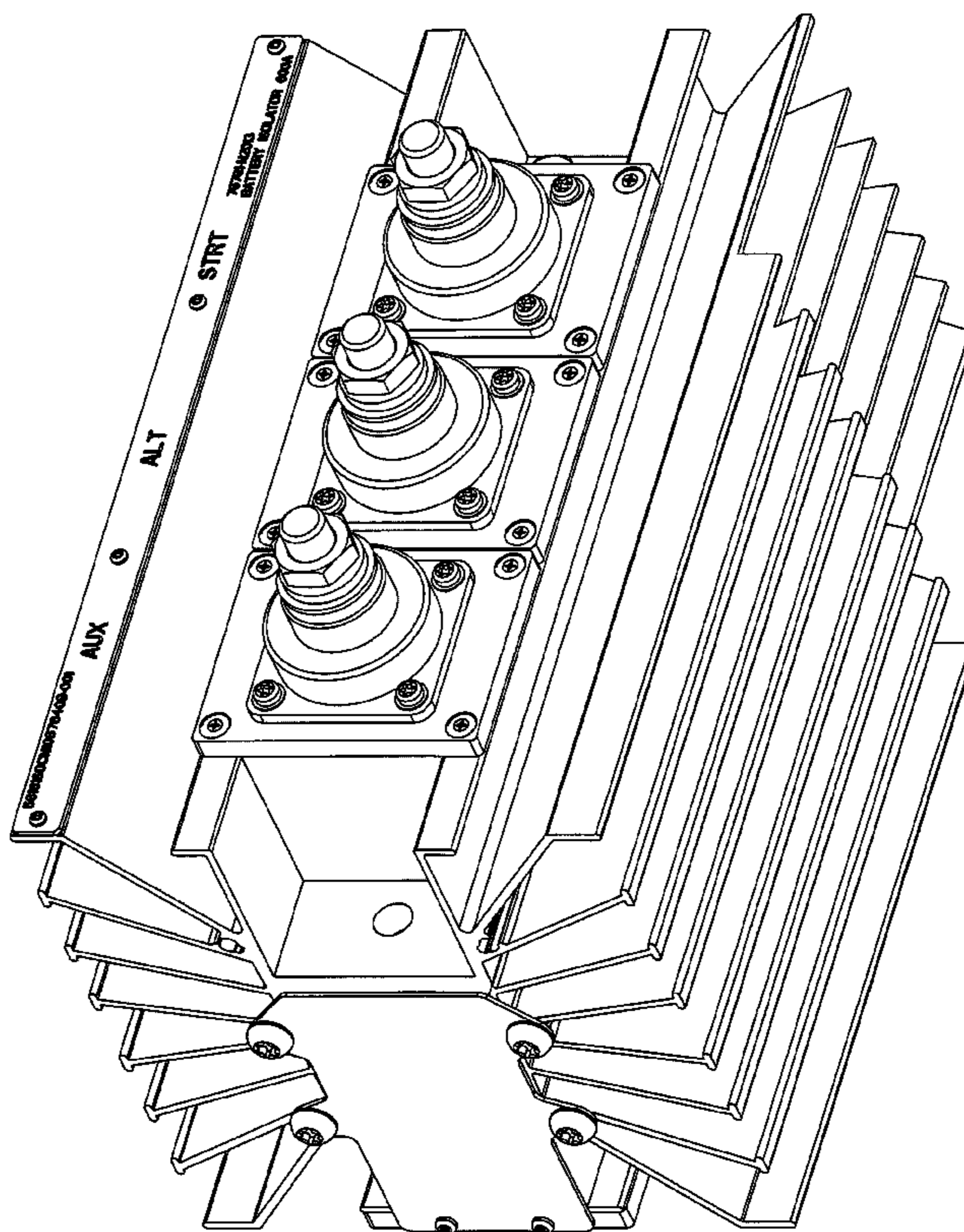
The broken lines shown are for illustrative purposes only and form no part of the claimed design.

(56) **References Cited**

U.S. PATENT DOCUMENTS

- 4,156,217 A * 5/1979 Thornley 335/107
- 4,270,057 A * 5/1981 Holt 307/10.7
- D266,757 S * 11/1982 Campbell et al. D13/106
- D301,331 S 5/1989 Rhodin
- 5,021,925 A * 6/1991 Soboleski 361/717
- D331,041 S 11/1992 Fountain
- D397,091 S 8/1998 Wirth
- D399,492 S 10/1998 Wirth

1 Claim, 8 Drawing Sheets



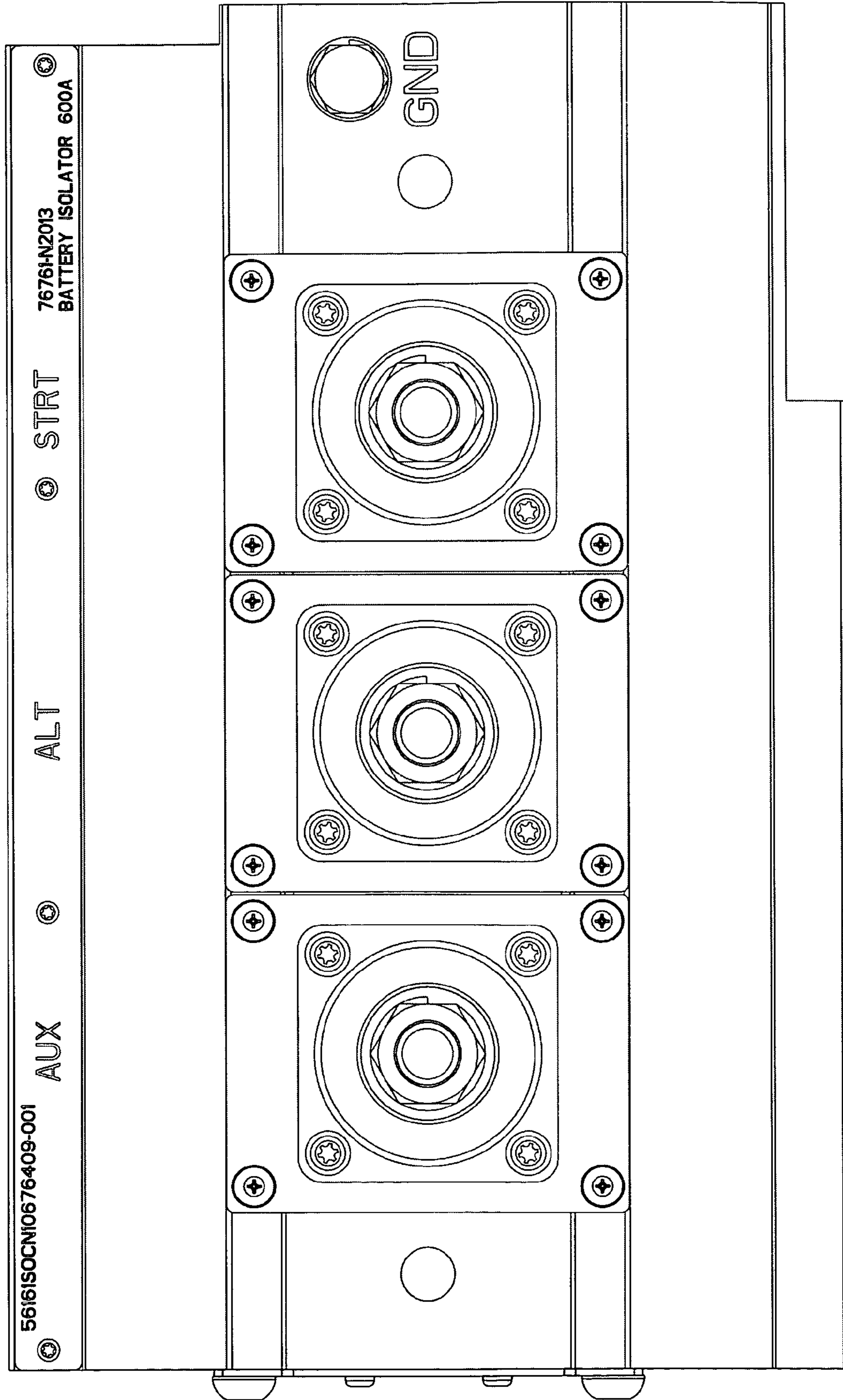


FIG. 1

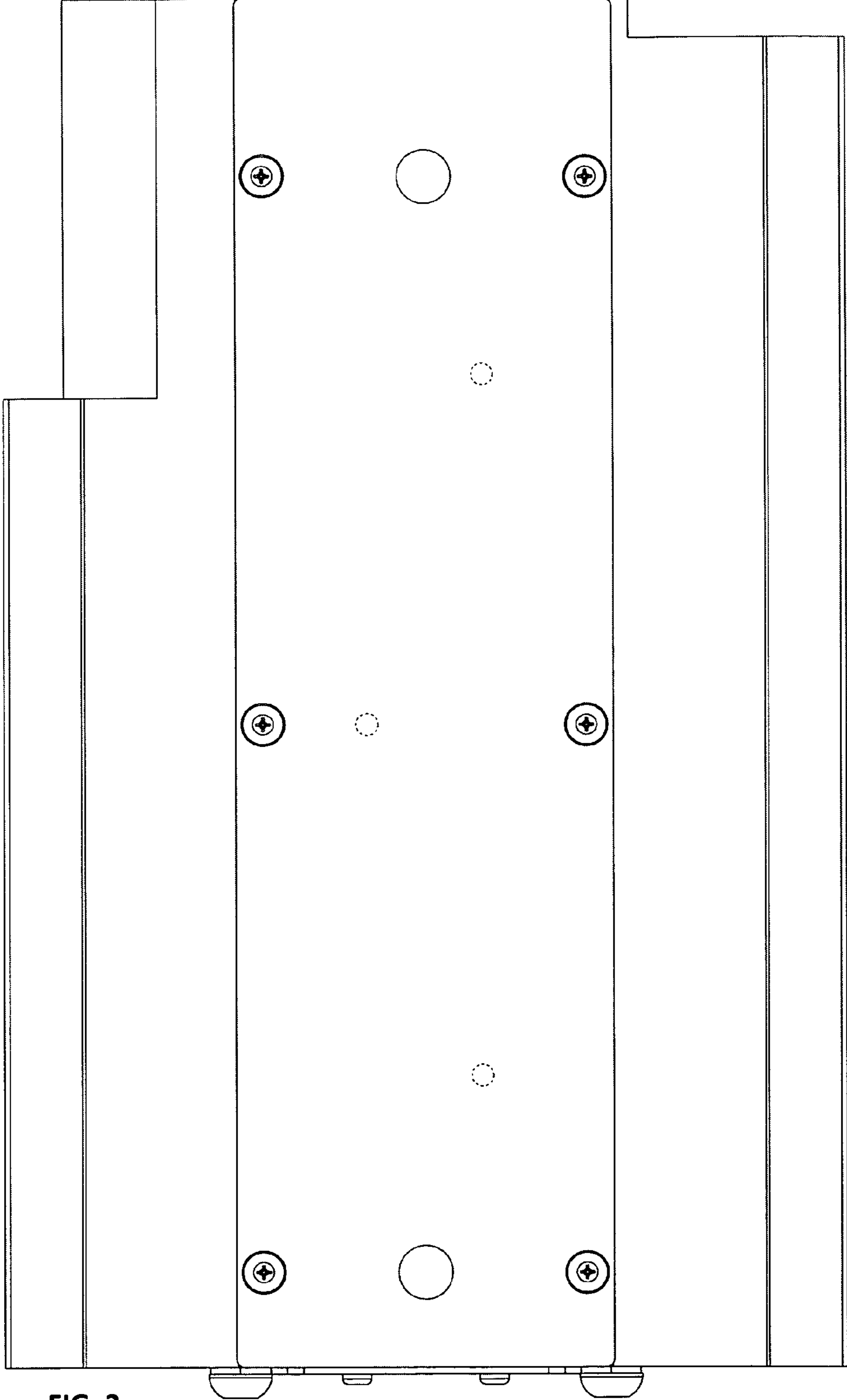


FIG. 2

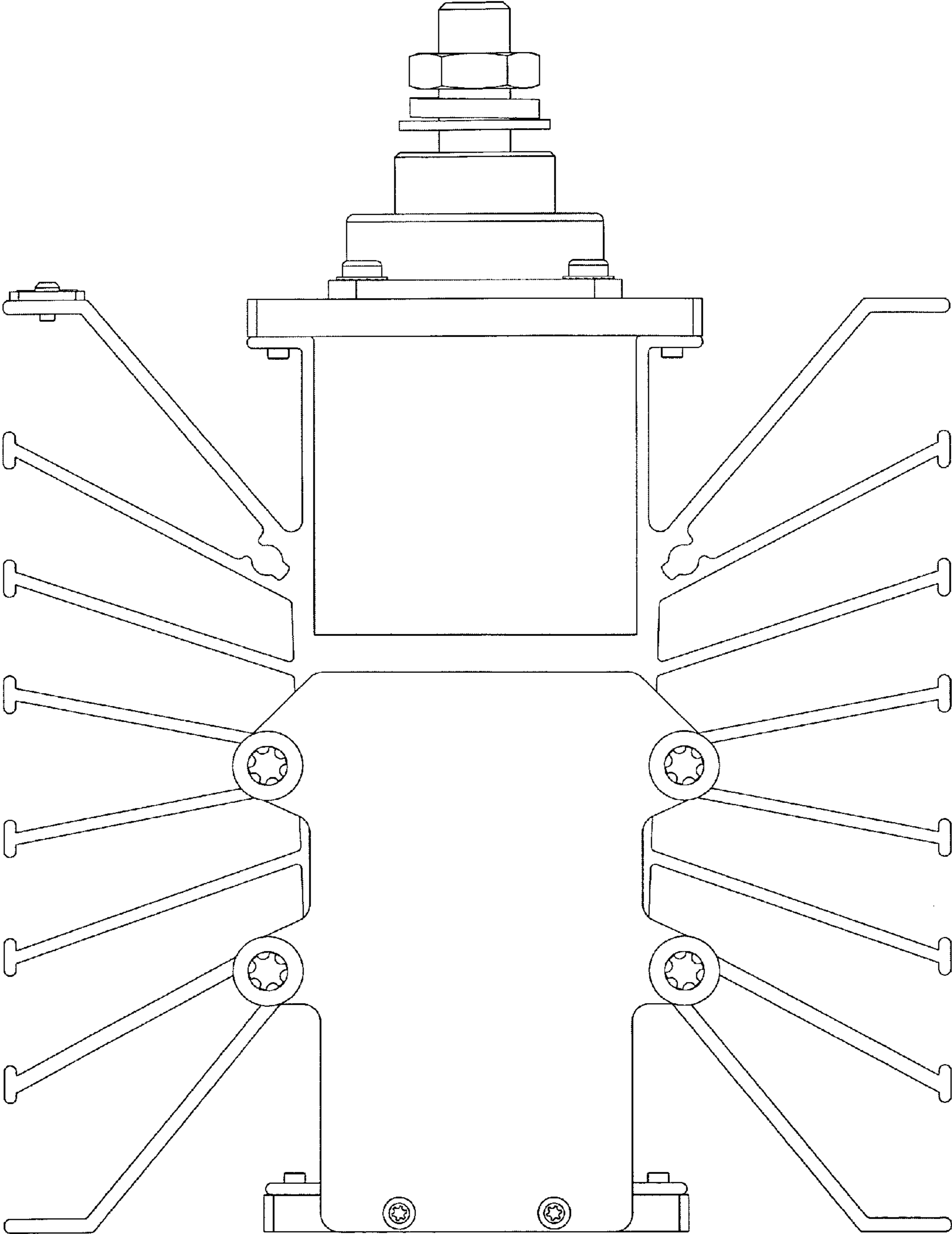


FIG. 3

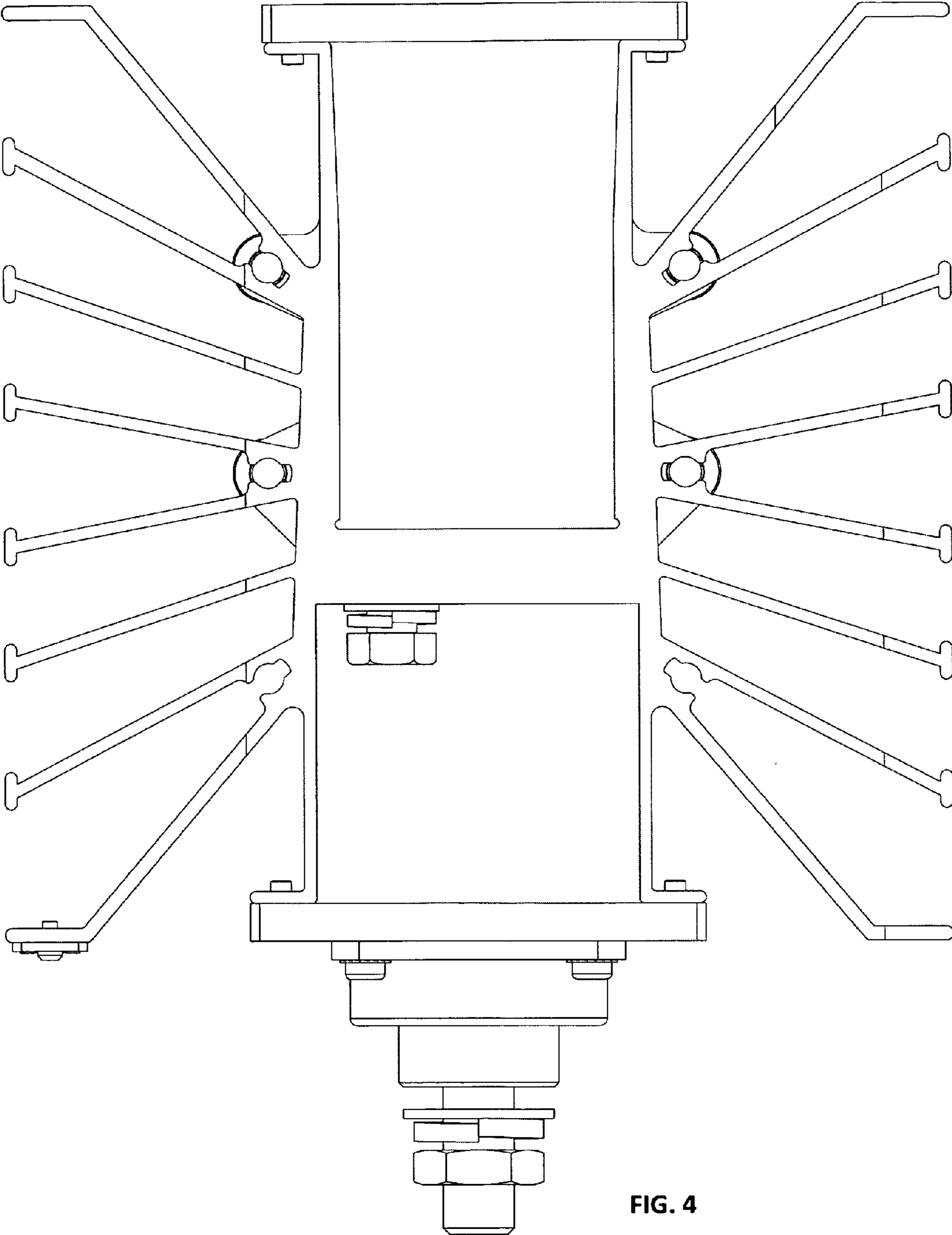


FIG. 4

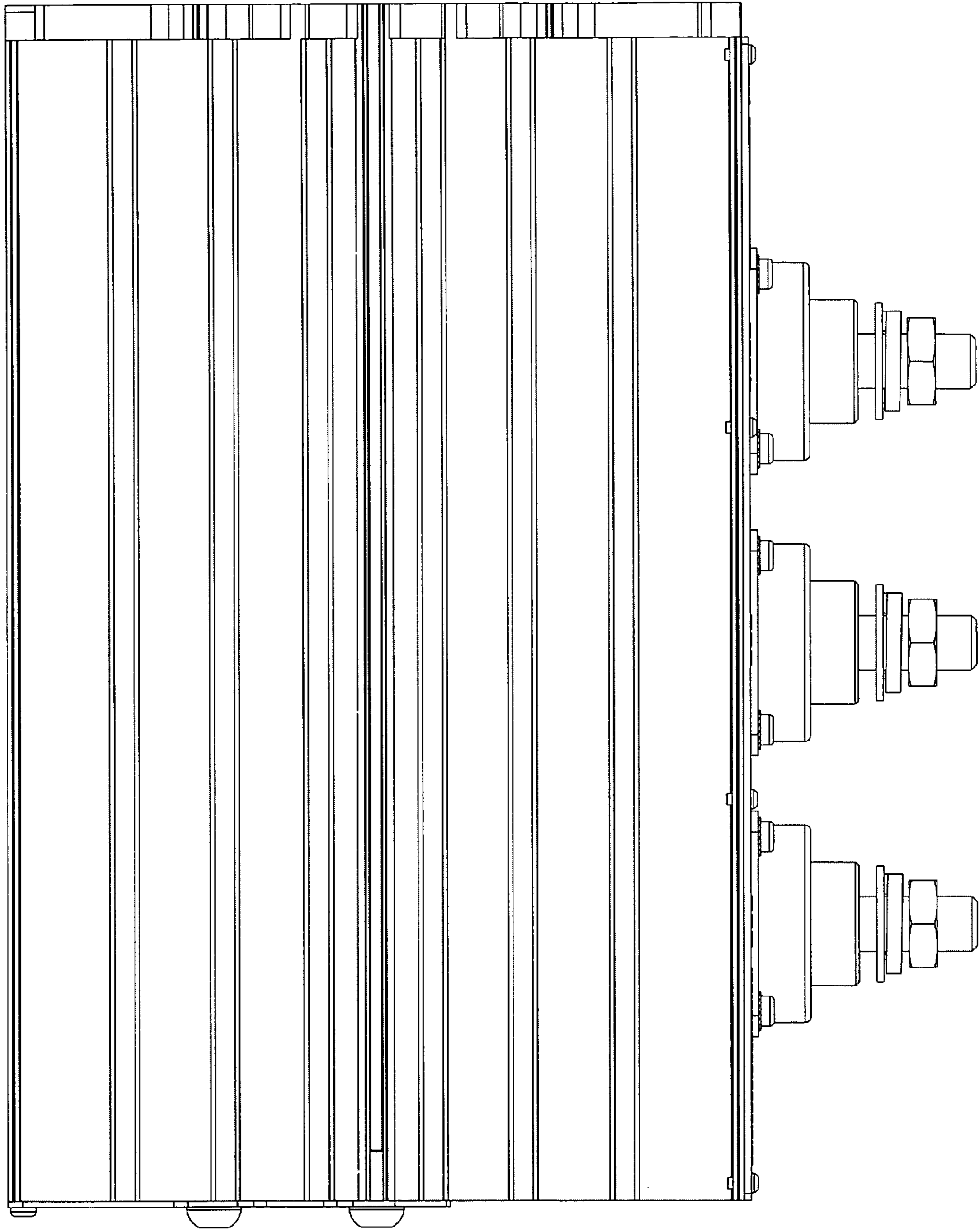


FIG. 5

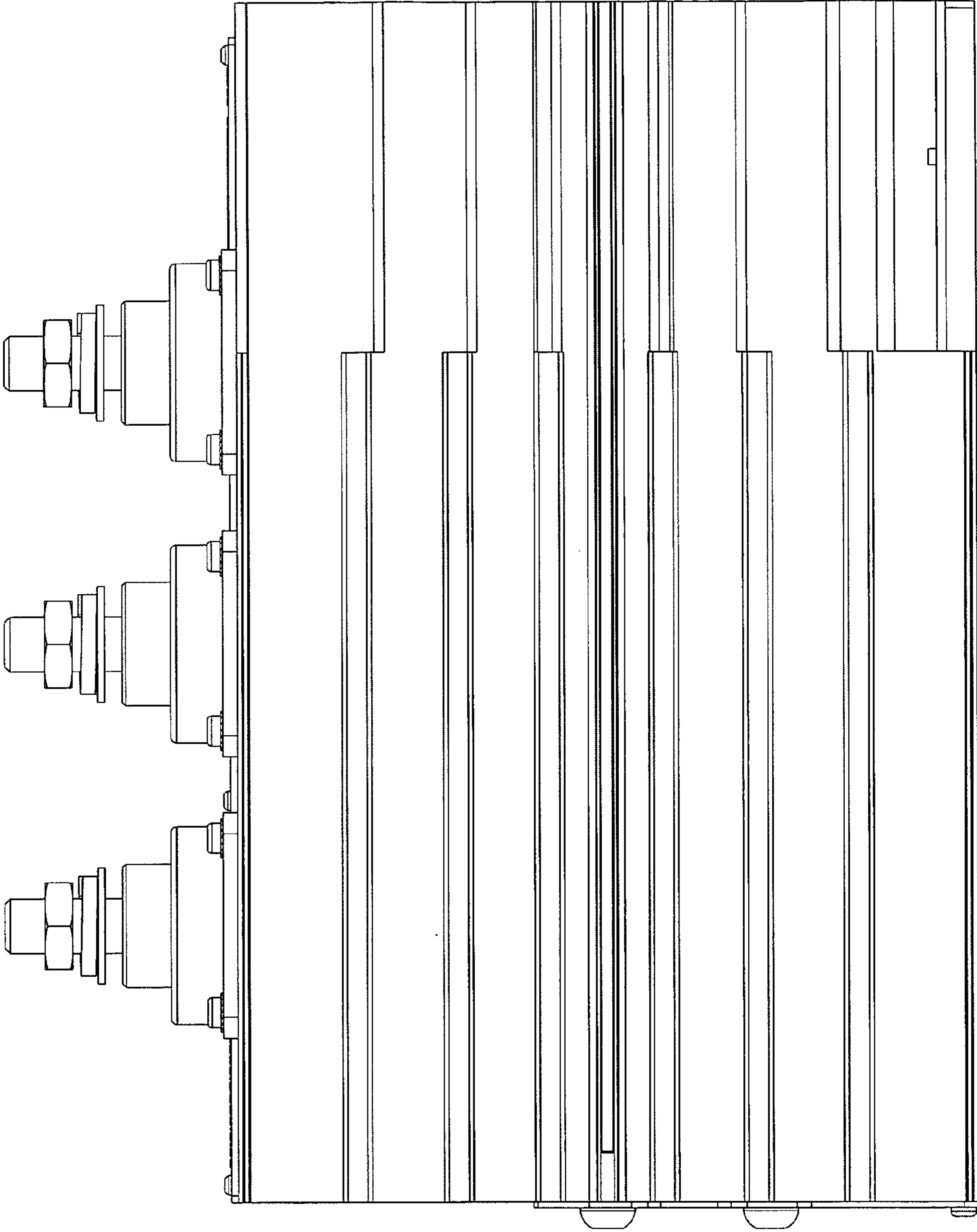


FIG. 6

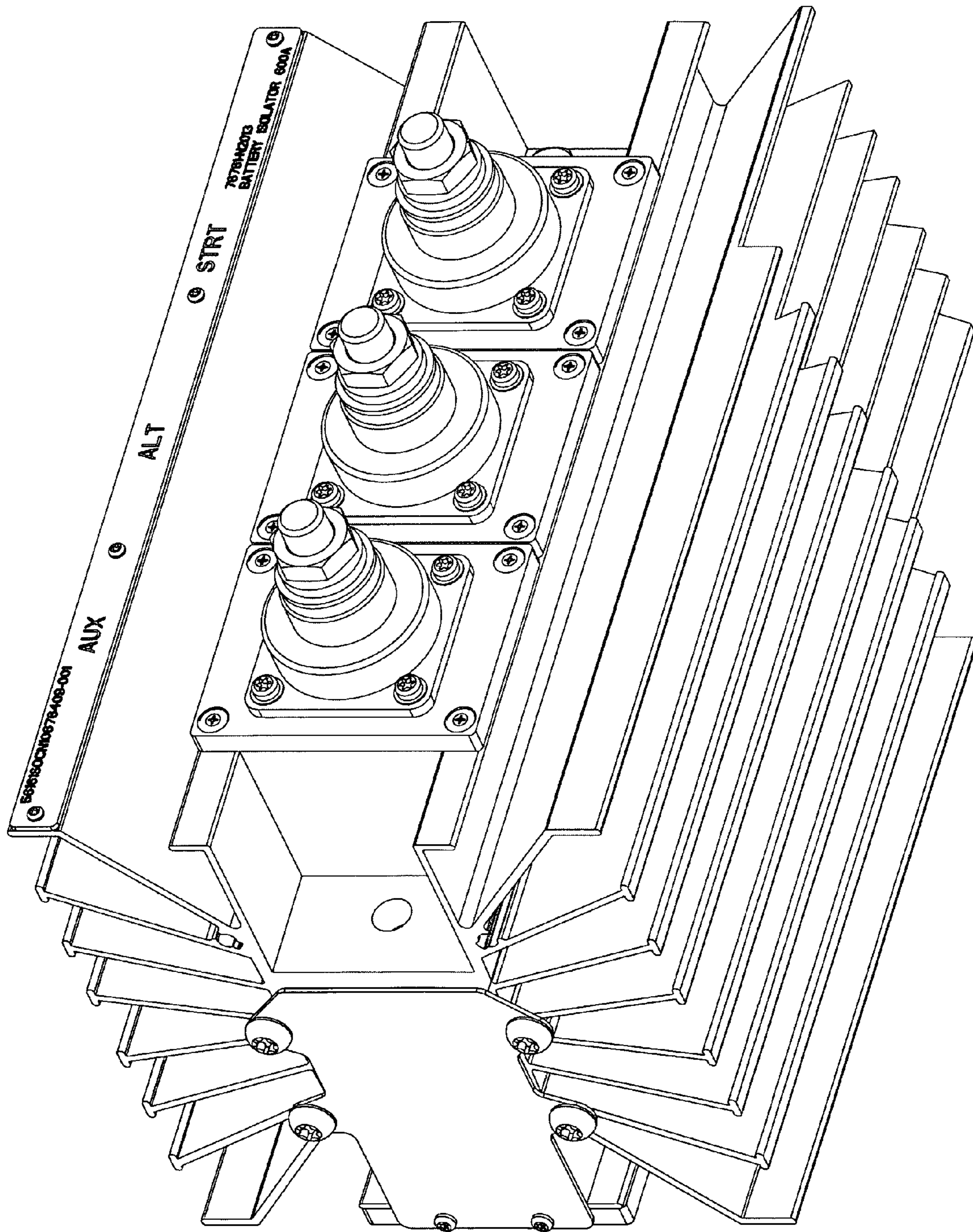


FIG. 7

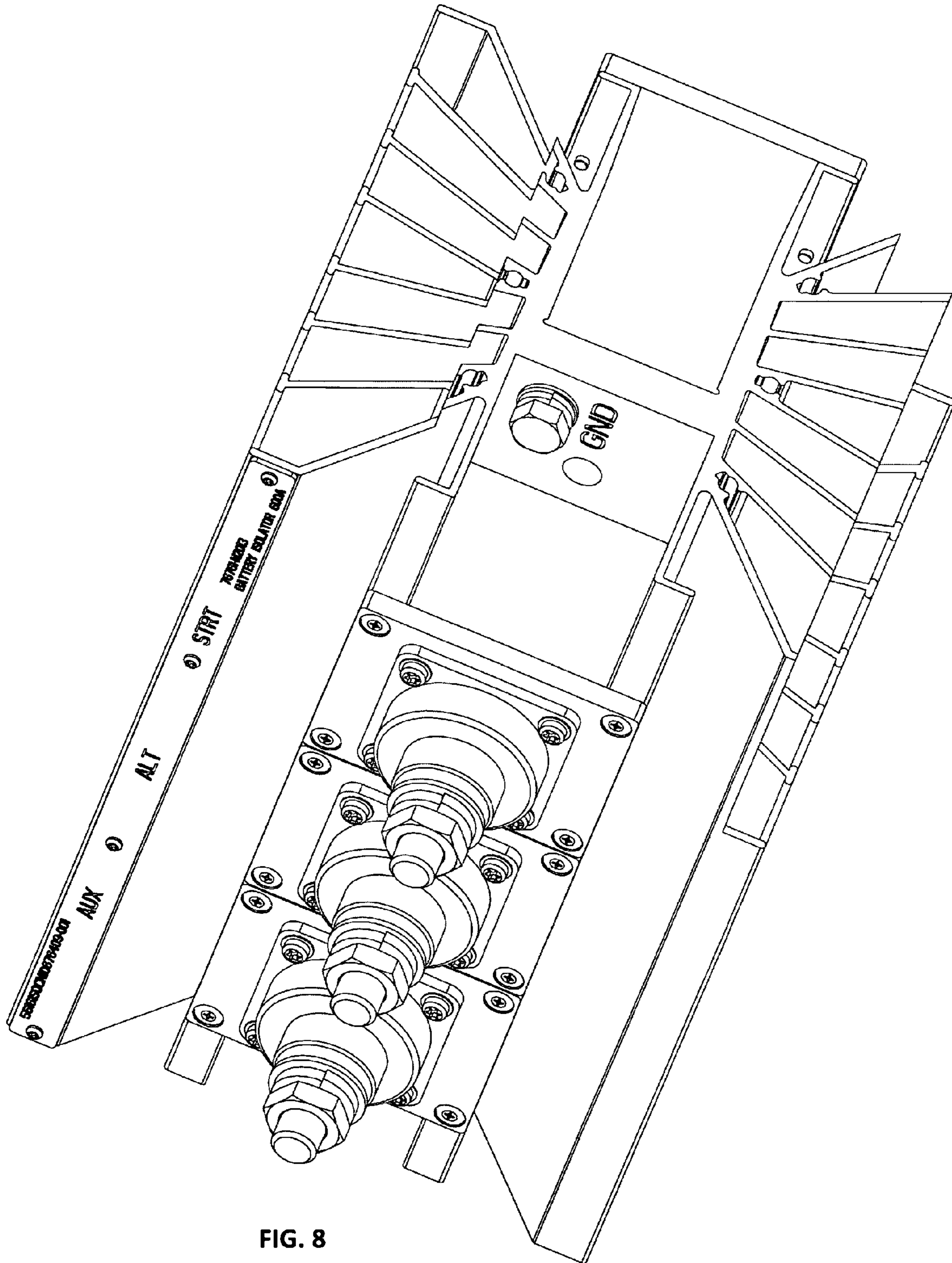


FIG. 8