

US00D624493S

(12) **United States Design Patent**  
**Daniels et al.**

(10) **Patent No.:** **US D624,493 S**

(45) **Date of Patent:** **\*\* Sep. 28, 2010**

(54) **JUMP STARTER**

(75) Inventors: **David Daniels**, Palatine, IL (US); **Alan William Olsberg**, Schaumburg, IL (US)

(73) Assignee: **Old World Industries, Inc.**, Northbrook, IL (US)

(\*\*) Term: **14 Years**

(21) Appl. No.: **29/355,785**

(22) Filed: **Feb. 12, 2010**

D545,269 S \* 6/2007 Dayan ..... D13/107  
D545,270 S 6/2007 Dayan  
D549,644 S \* 8/2007 Hulden ..... D13/107

\* cited by examiner

*Primary Examiner*—Rosemary K Tarcza

(74) *Attorney, Agent, or Firm*—McAndrews, Held & Malloy, Ltd.

(57) **CLAIM**

The ornamental design for a jump starter, as shown and described.

**Related U.S. Application Data**

(63) Continuation of application No. 29/341,287, filed on Aug. 3, 2009, now Pat. No. Des. 609,632.

(51) **LOC (9) Cl.** ..... **13-02**

(52) **U.S. Cl.** ..... **D13/107; D13/110; D15/9**

(58) **Field of Classification Search** ..... D13/102–103, D13/107–110, 118–119, 133, 144, 184; 320/103–105, 320/107–115; D15/7–9; D23/231, 232; 417/410.1, 359, 415–416, 234, 321, 265, 417/405

See application file for complete search history.

(56) **References Cited**

**U.S. PATENT DOCUMENTS**

- D334,560 S 4/1993 Wilson
- D403,330 S \* 12/1998 Williams ..... D15/9
- D466,077 S 11/2002 Wang
- D484,852 S 1/2004 James et al.
- D493,137 S 7/2004 Casarella
- D503,377 S 3/2005 Krieger et al.
- D503,378 S 3/2005 Hussaini et al.
- D504,396 S 4/2005 Hussaini et al.
- D504,661 S 5/2005 Krieger et al.
- D504,870 S 5/2005 Krieger et al.
- D518,435 S 4/2006 Kurth
- D530,664 S \* 10/2006 Wingerter et al. .... D13/107
- D530,666 S 10/2006 Krieger et al.

**DESCRIPTION**

FIG. 1 is a front perspective view of a first embodiment of a jump starter showing our new design;

FIG. 2 is a front elevation view thereof;

FIG. 3 is a rear elevation view thereof;

FIG. 4 is a left side elevation view thereof;

FIG. 5 is a right side elevation view thereof;

FIG. 6 is a top plan view thereof;

FIG. 7 is a bottom plan view thereof;

FIG. 8 is a rear perspective view thereof;

FIG. 9 is a front perspective view of a second embodiment of a jump starter showing our new design;

FIG. 10 is a front elevation view thereof;

FIG. 11 is a rear elevation view thereof;

FIG. 12 is a left side elevation view thereof;

FIG. 13 is a right side elevation view thereof;

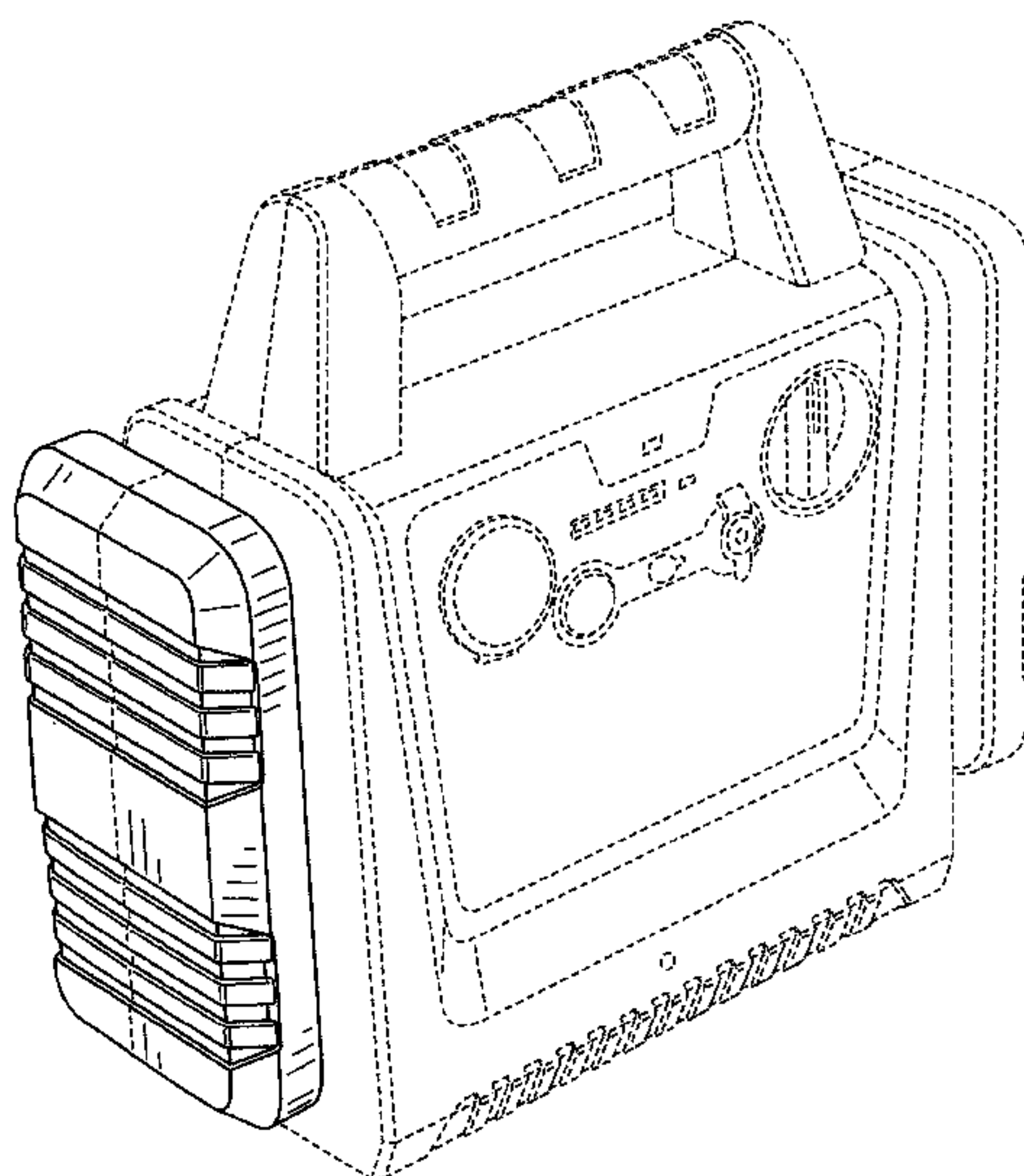
FIG. 14 is a top plan view thereof;

FIG. 15 is a bottom plan view thereof; and,

FIG. 16 is a rear perspective view thereof.

The broken lines in the drawings represent environmental subject matter and form no part of the claimed design.

**1 Claim, 12 Drawing Sheets**



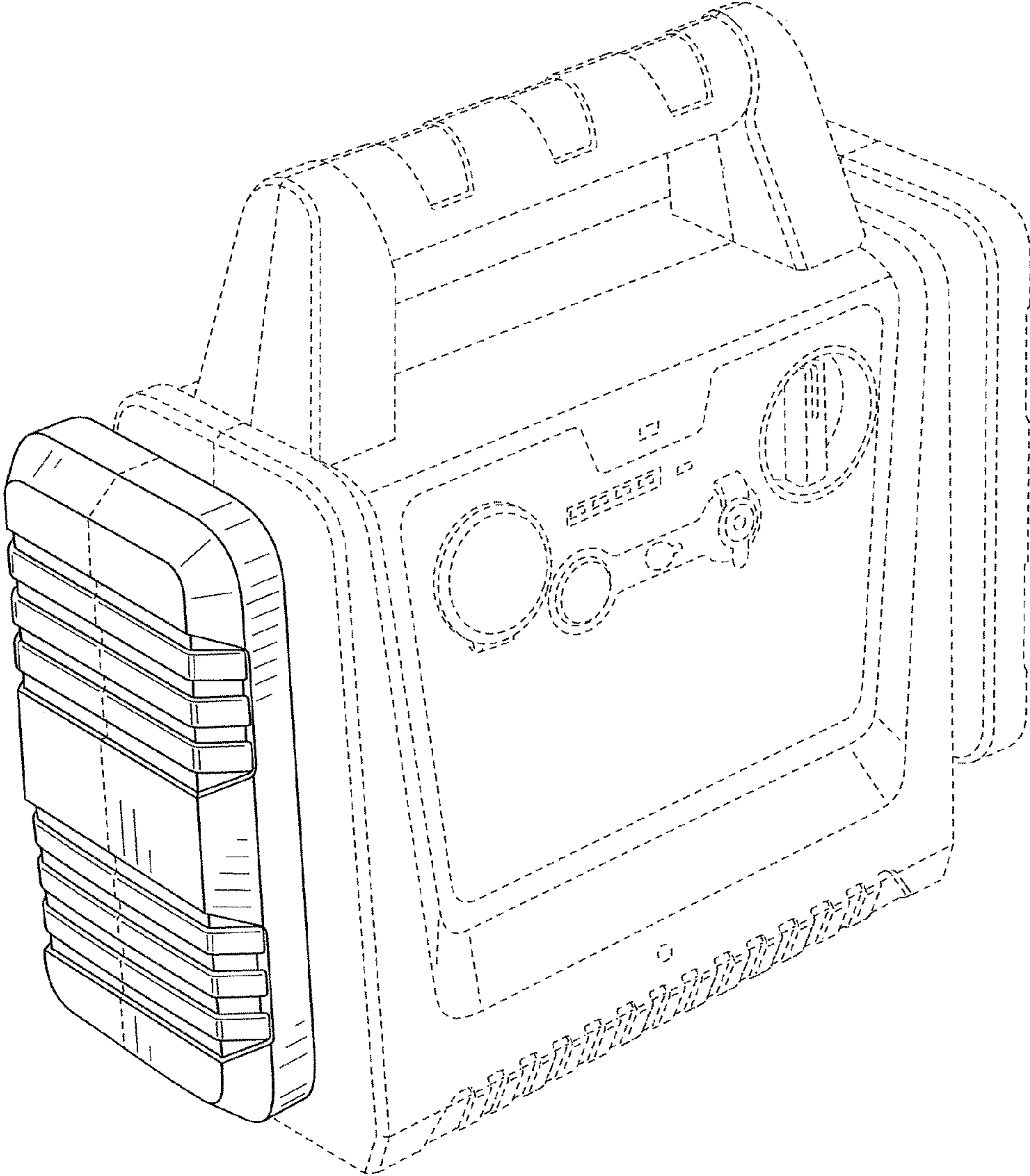


FIG. 1

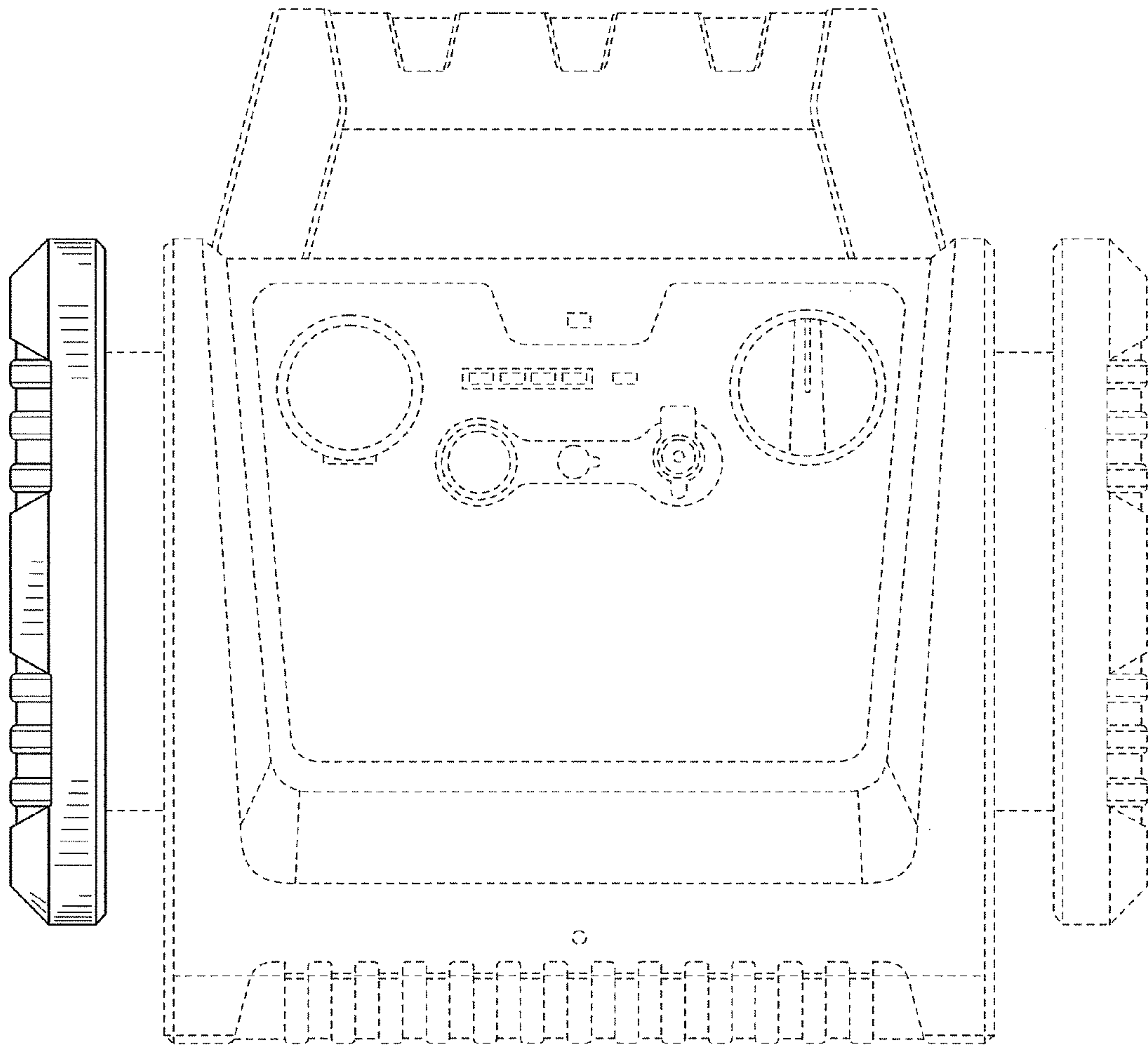


FIG. 2

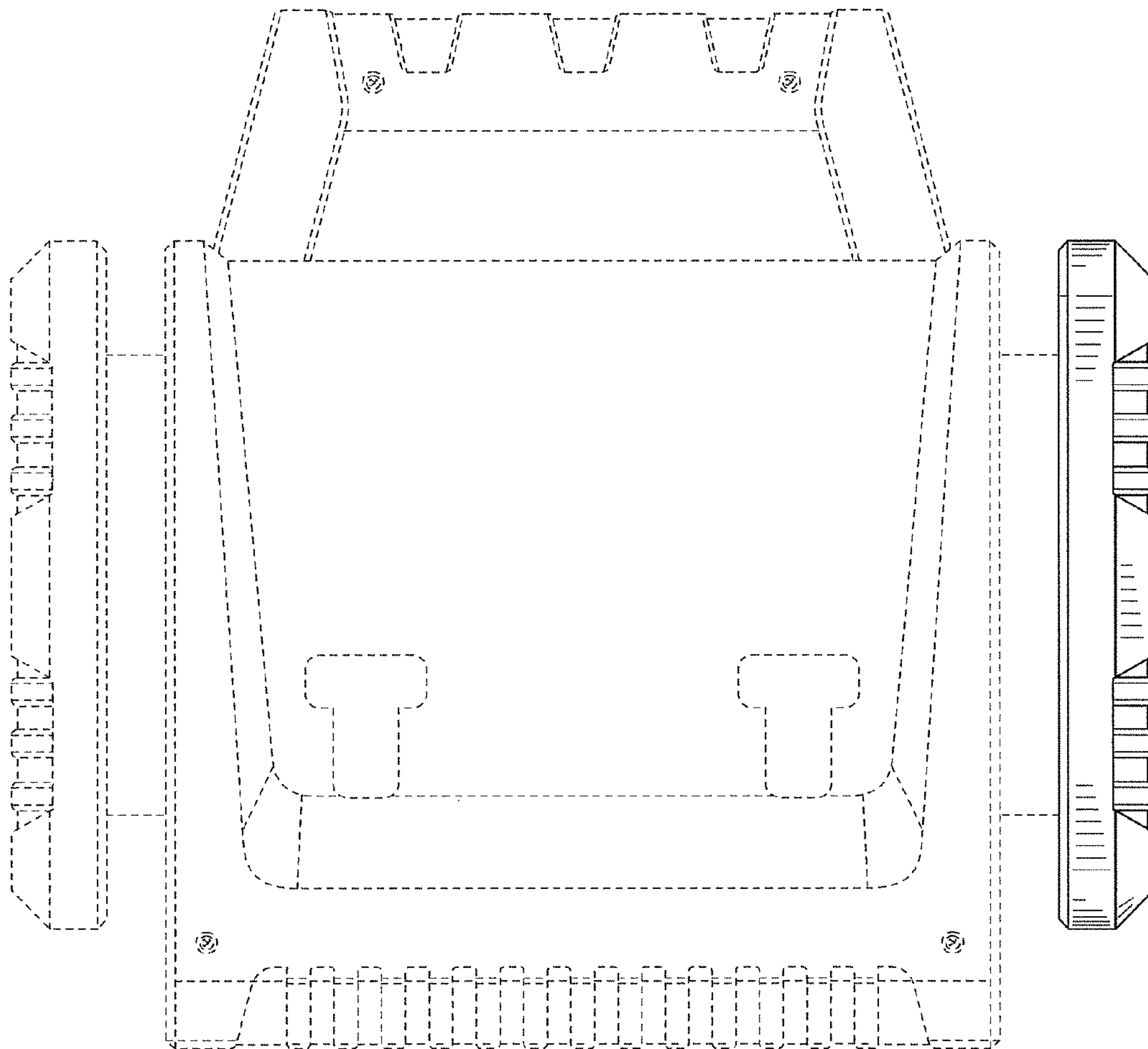


FIG. 3



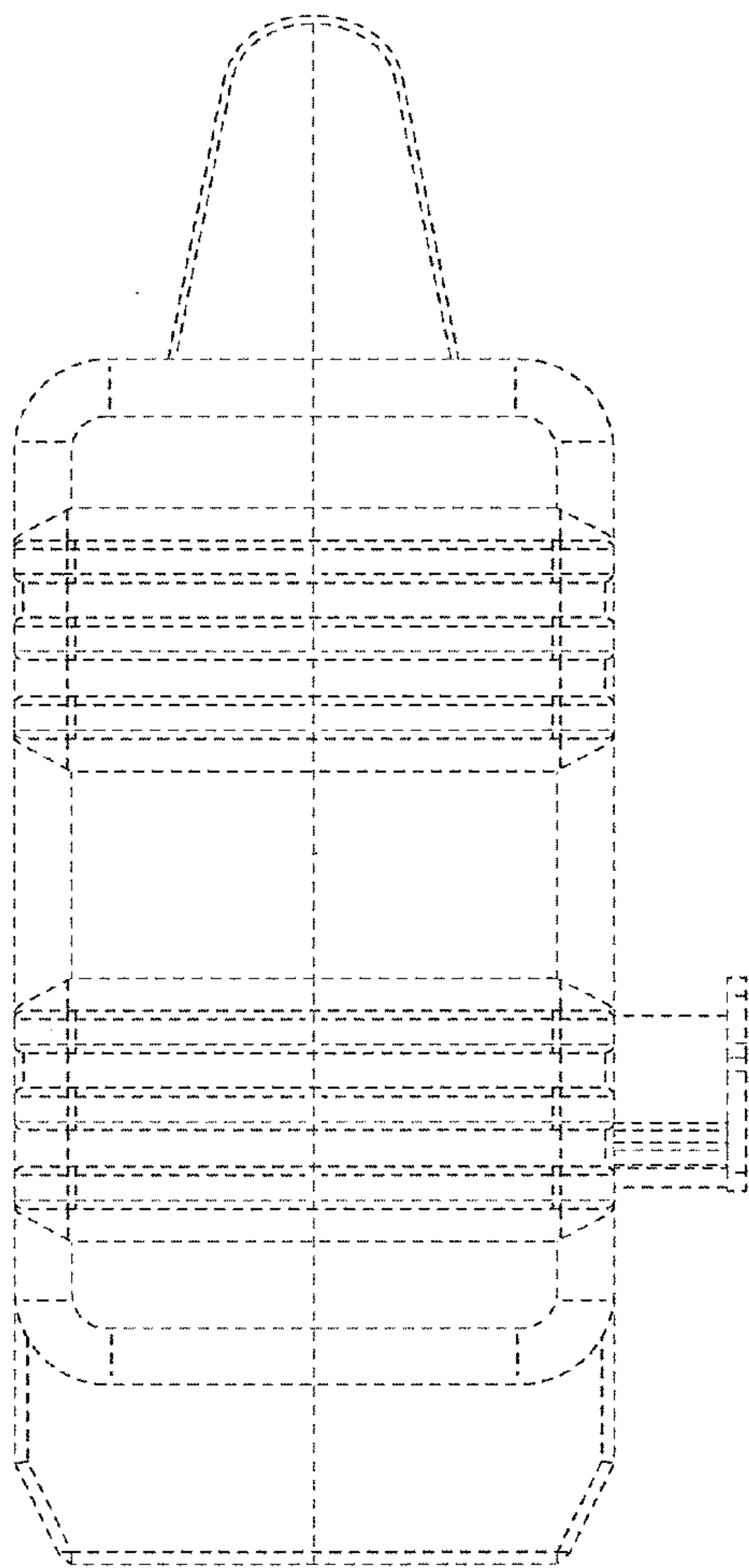


FIG. 4

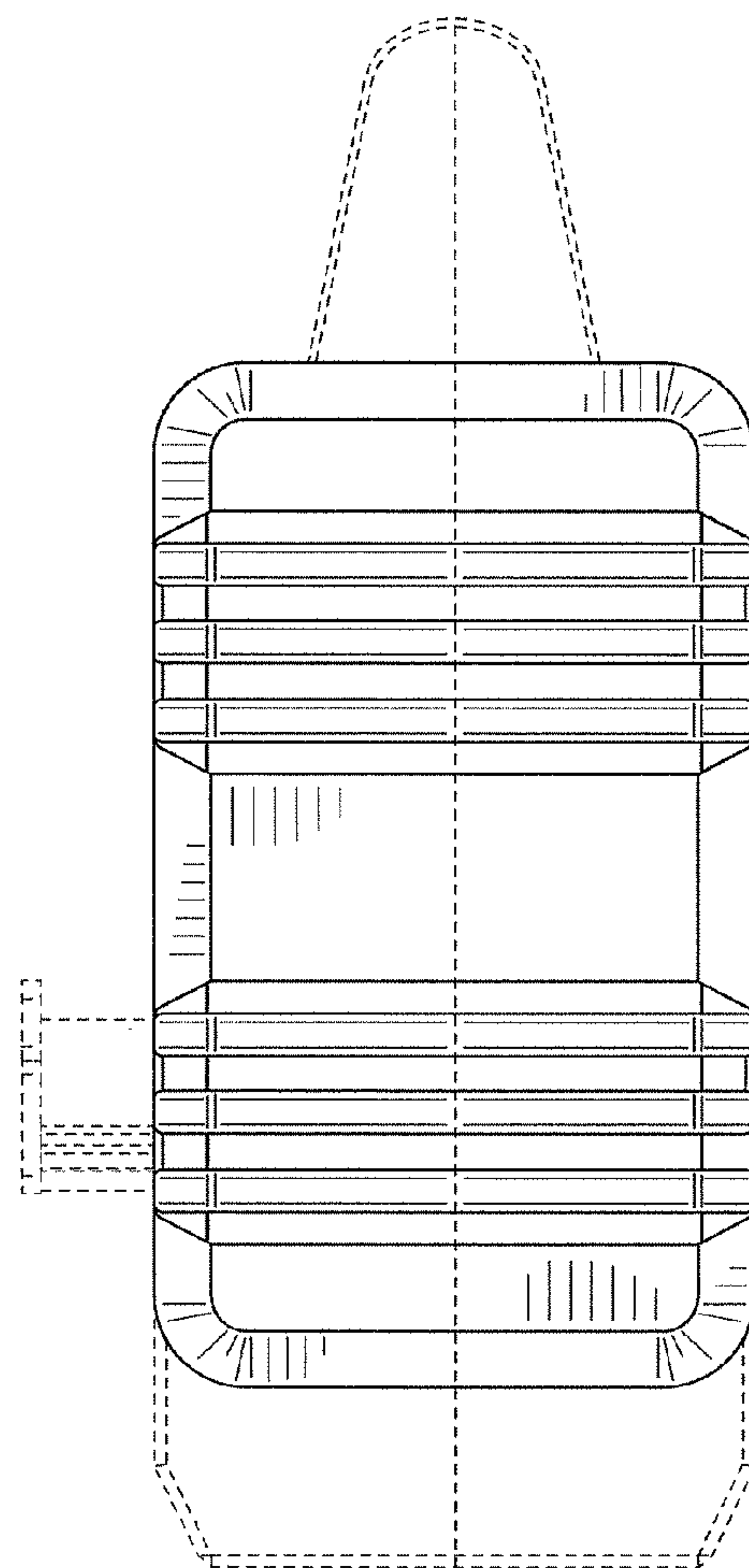


FIG. 5

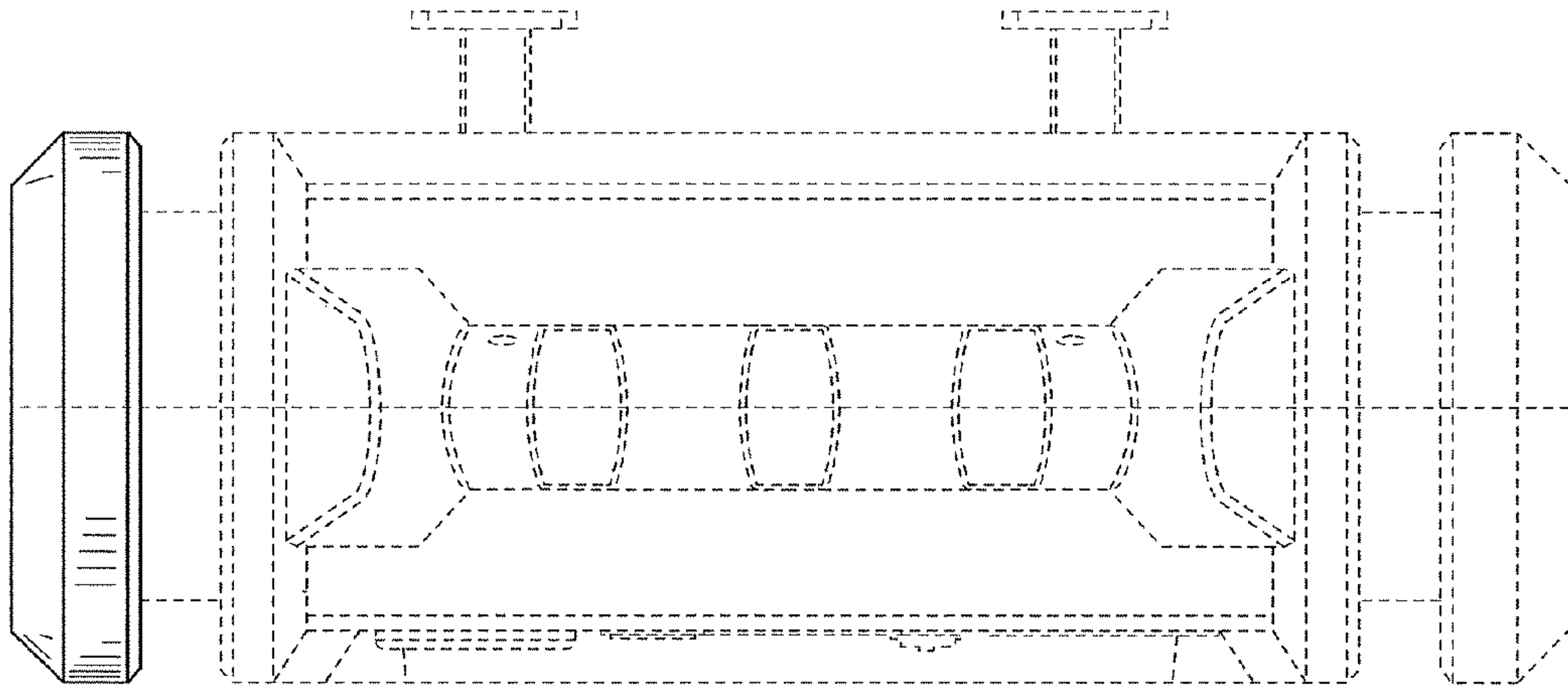


FIG. 6

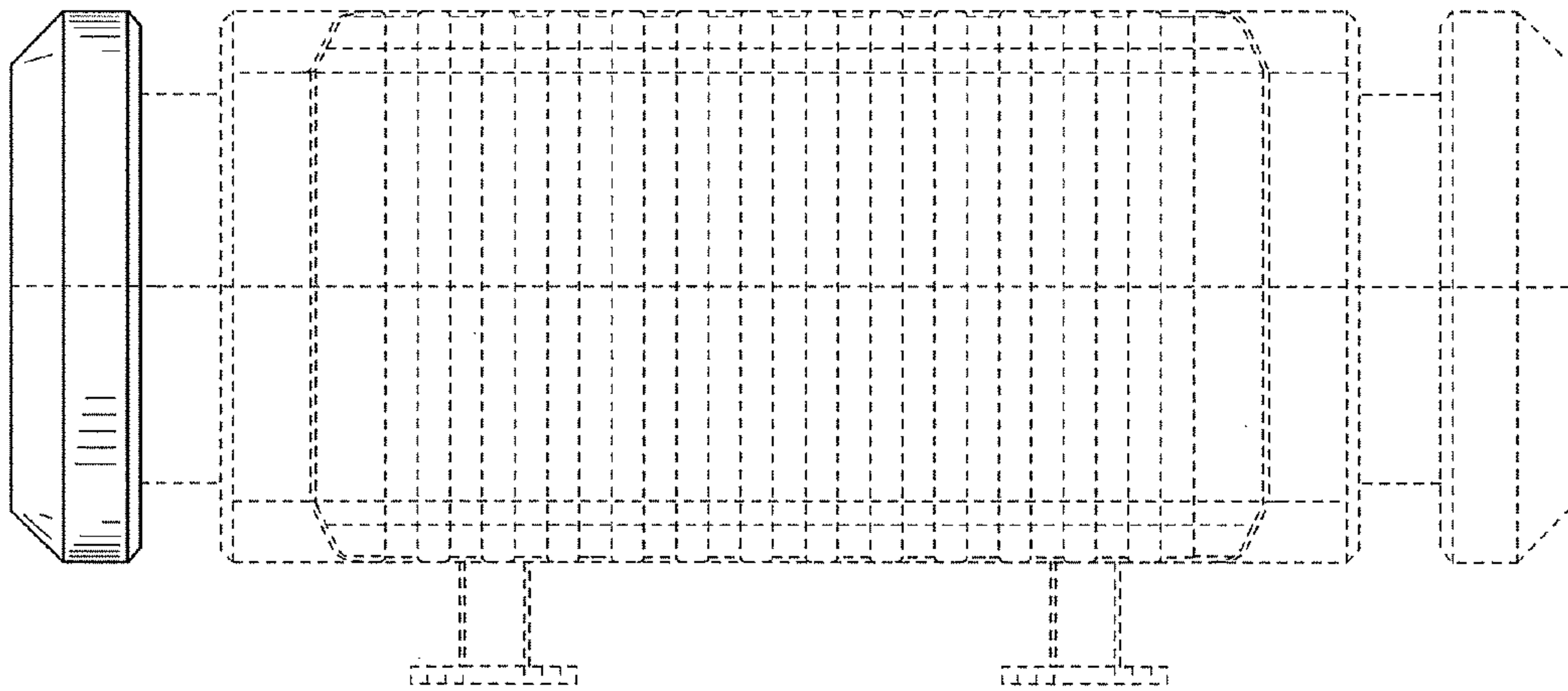


FIG. 7

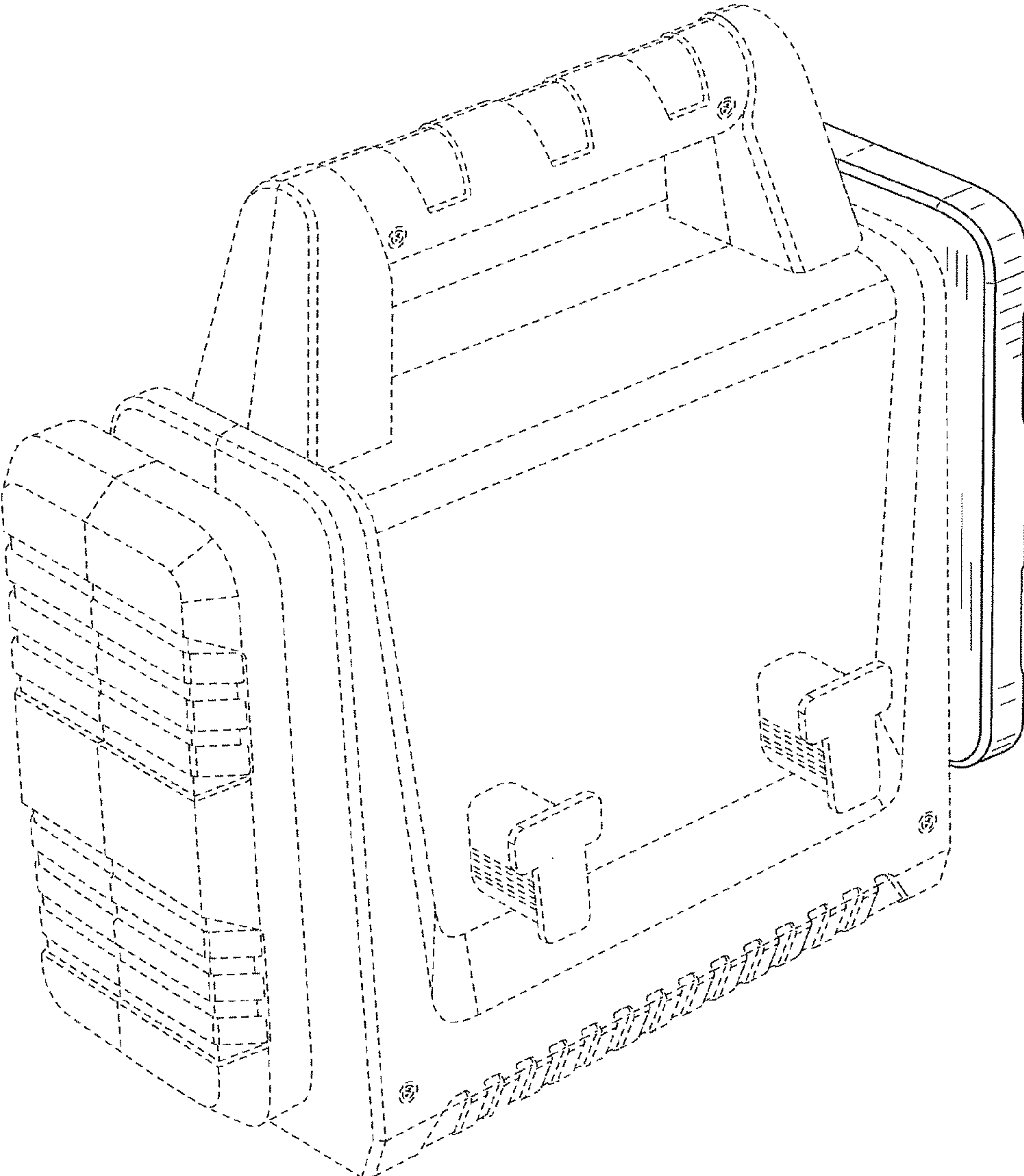


FIG. 8

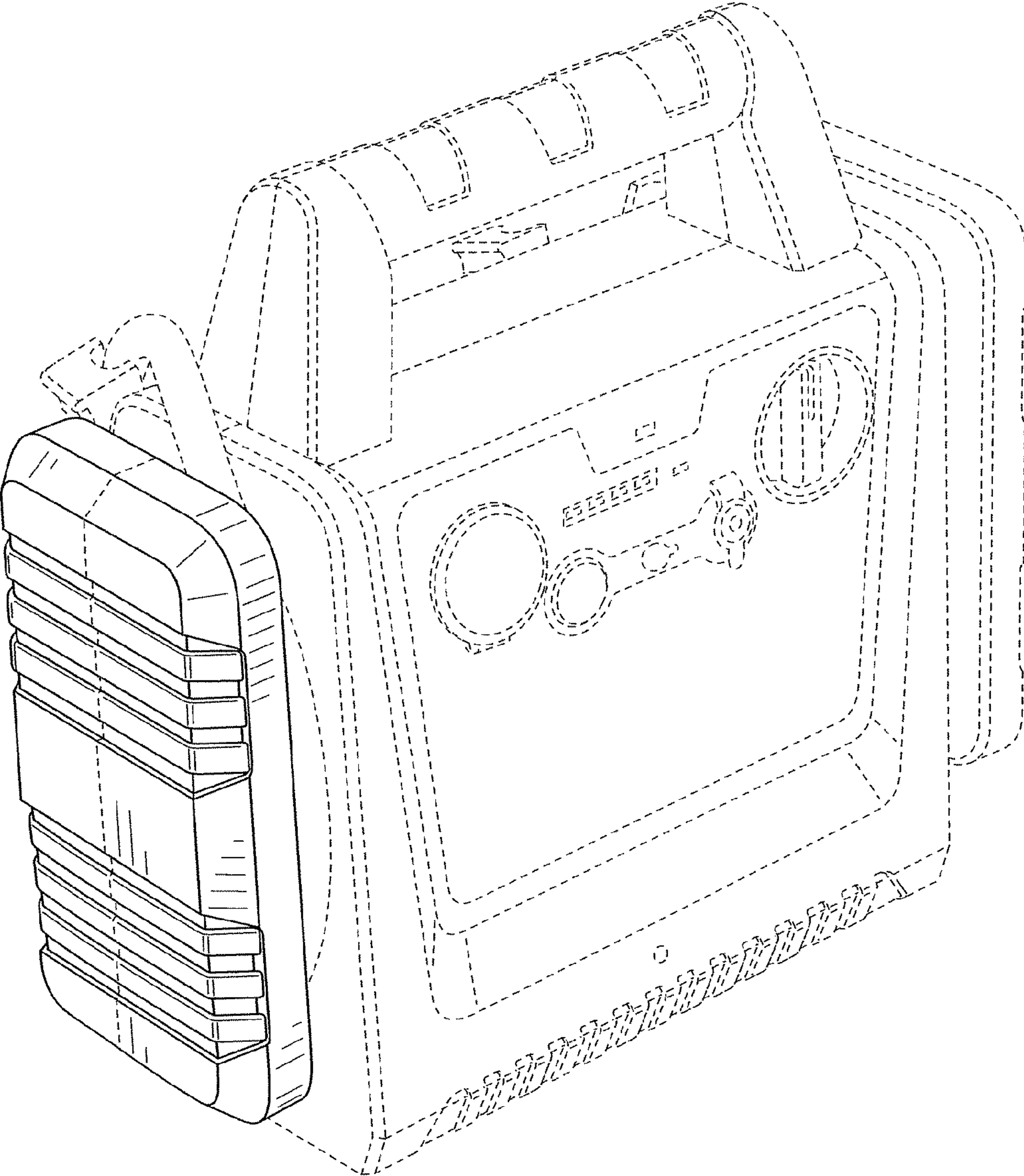


FIG. 9



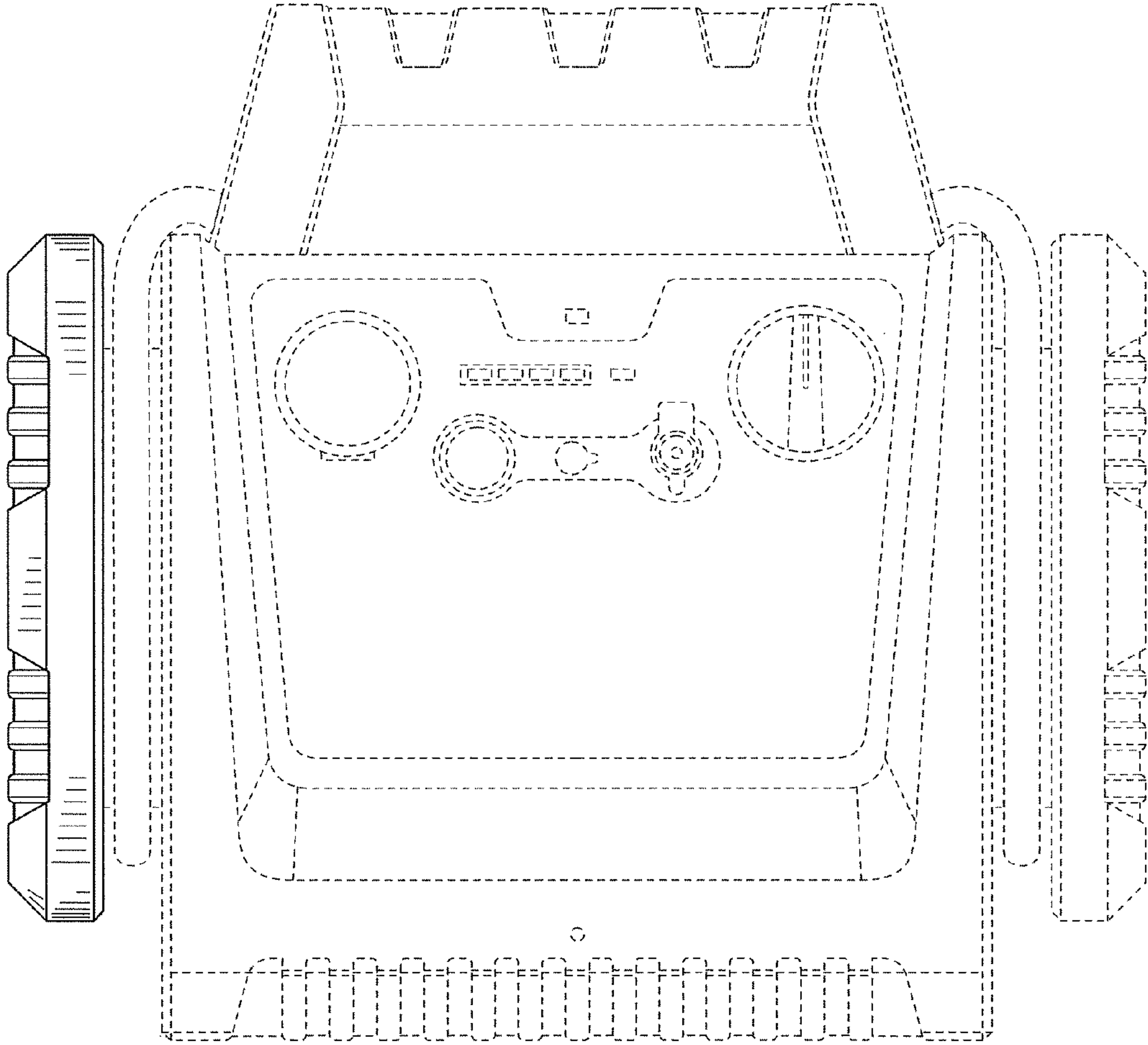


FIG. 10

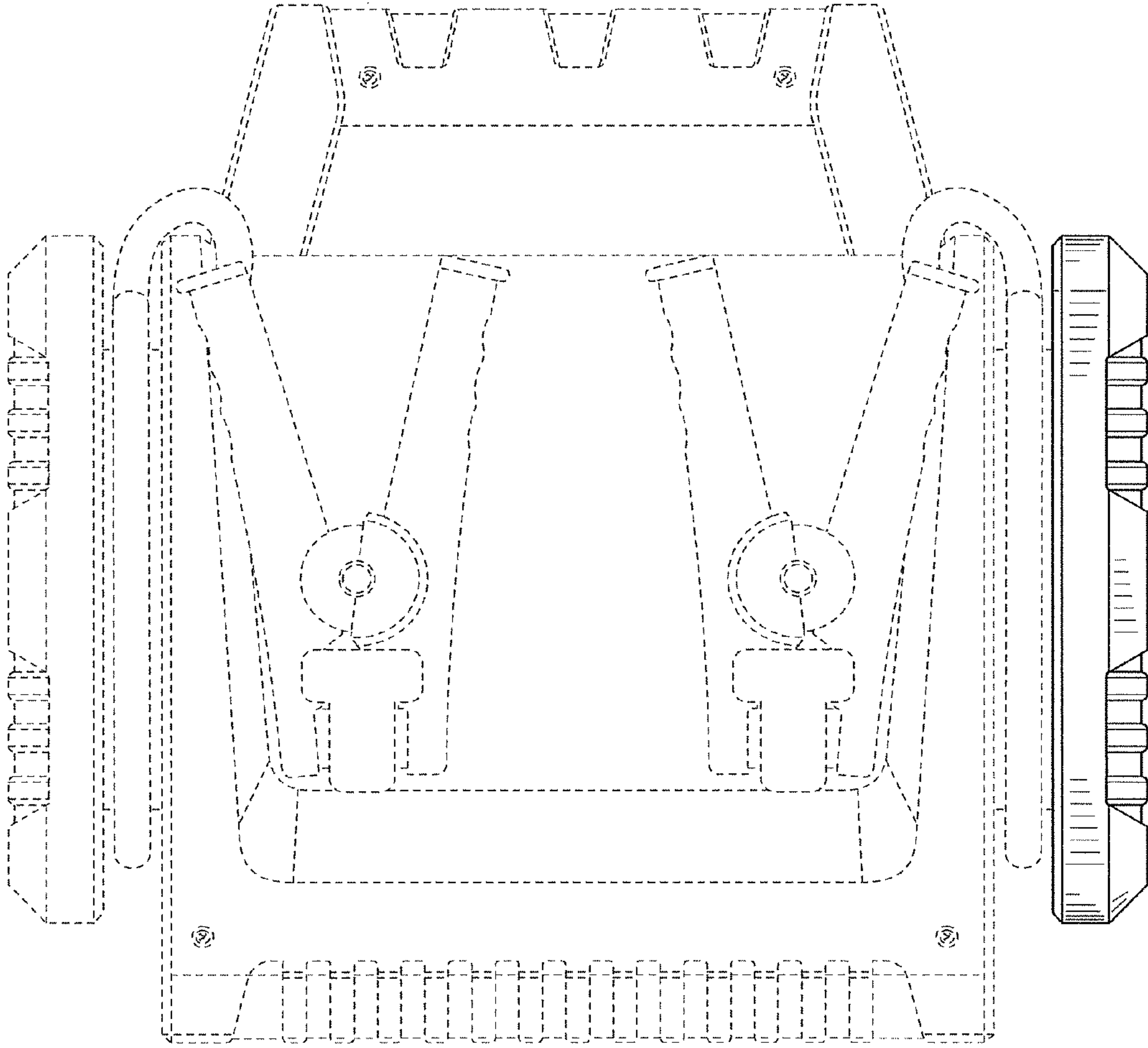


FIG. 11

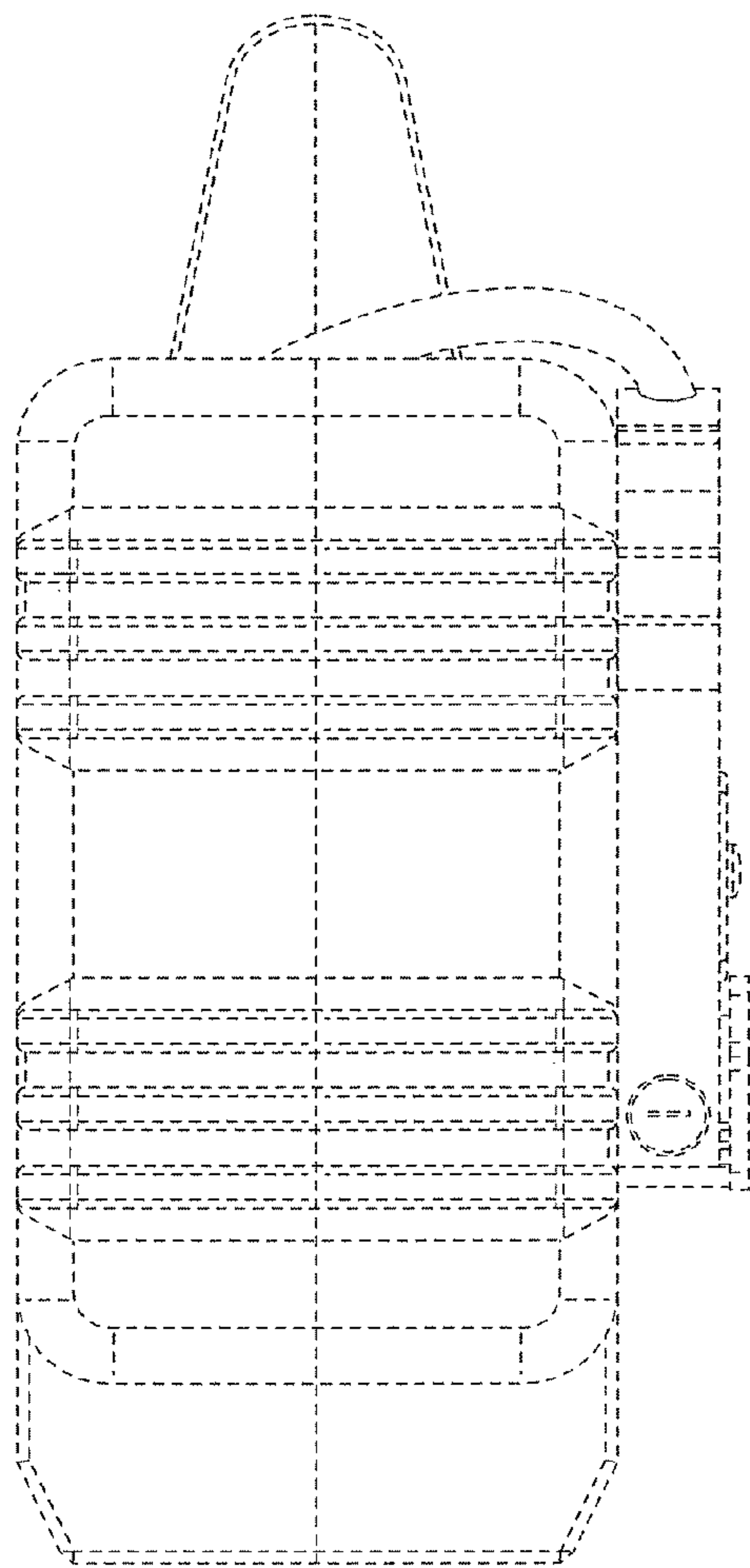


FIG. 12

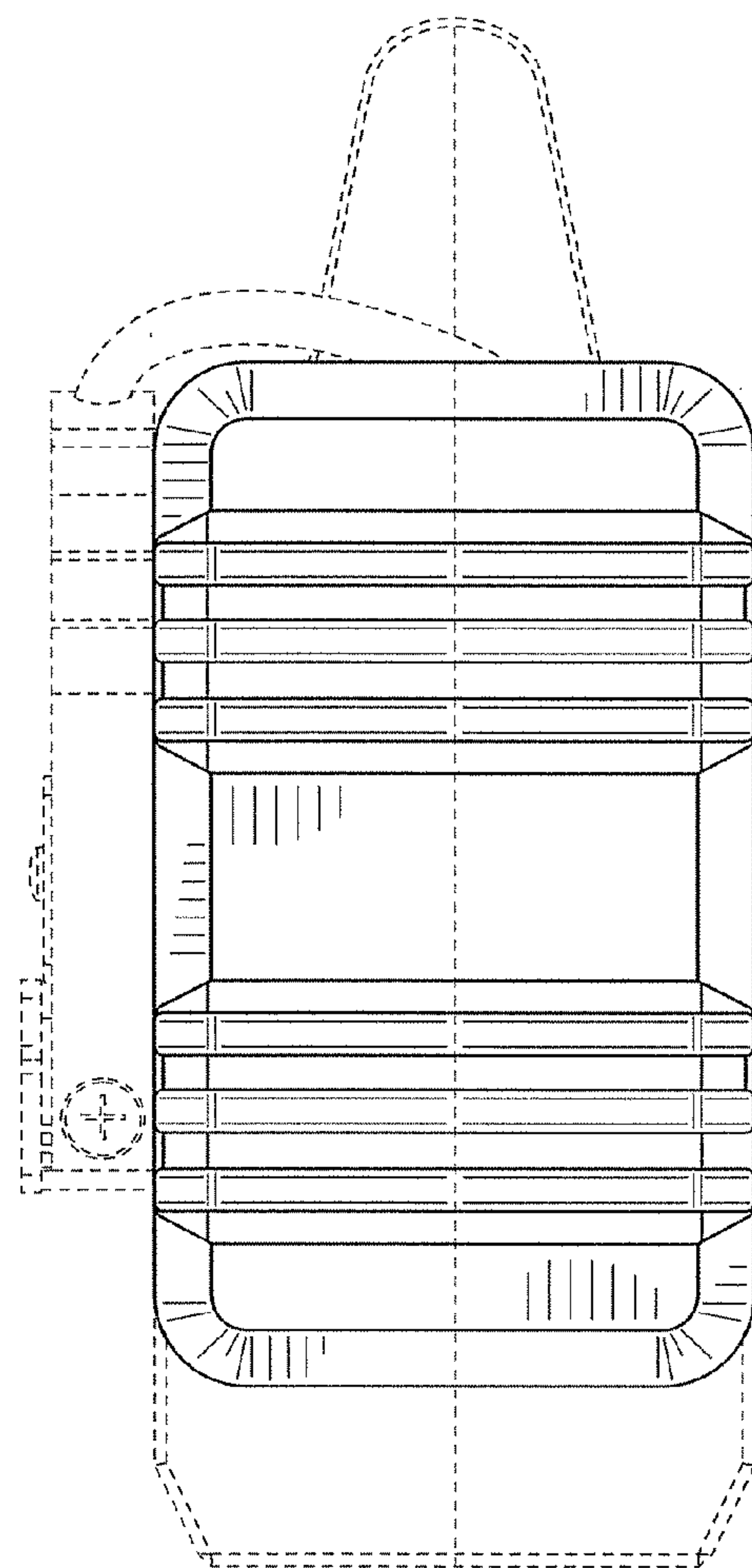


FIG. 13

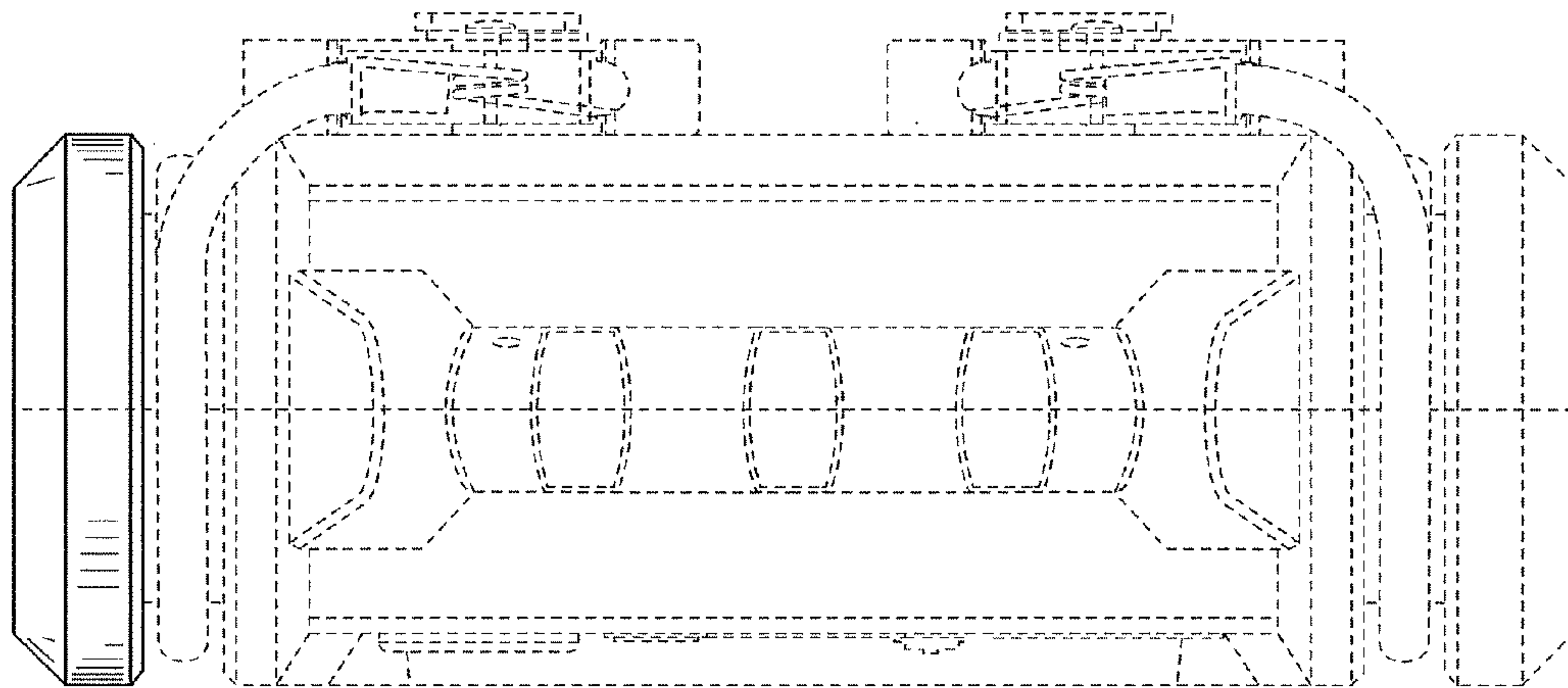


FIG. 14

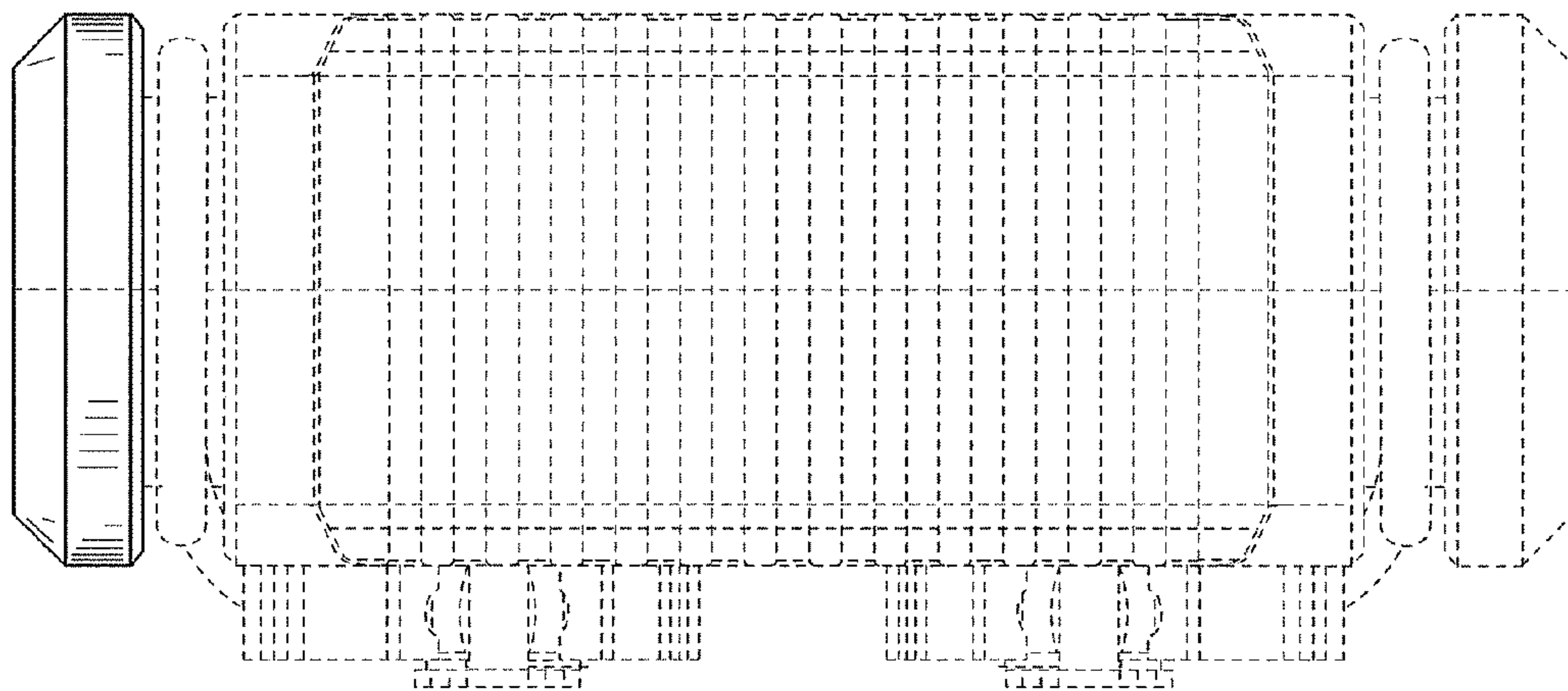


FIG. 15



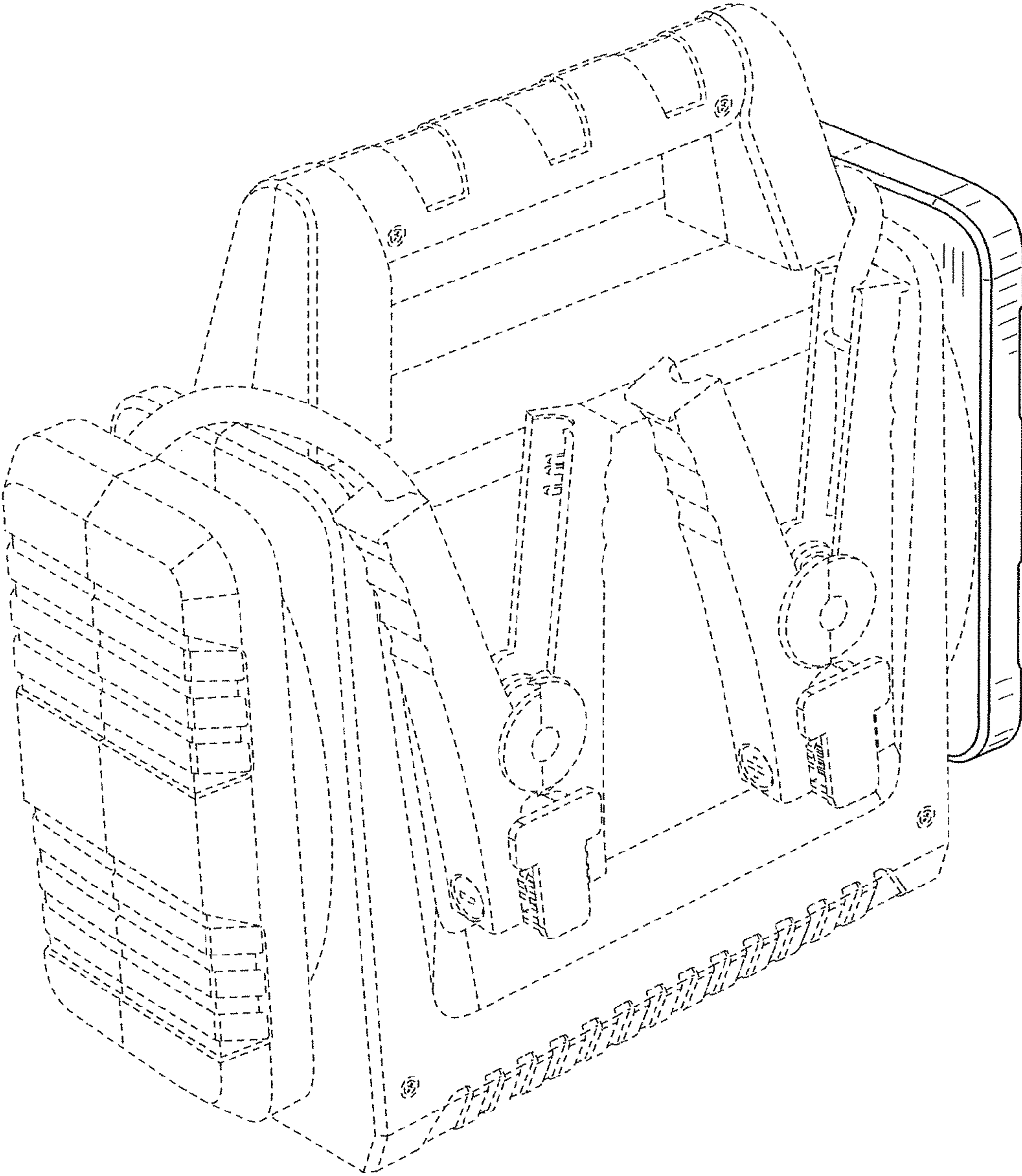


FIG. 16