

US00D624492S

(12) **United States Design Patent**
Daniels et al.

(10) **Patent No.:** **US D624,492 S**

(45) **Date of Patent:** **** Sep. 28, 2010**

(54) **JUMP STARTER**

(75) Inventors: **David Daniels**, Palatine, IL (US); **Alan William Olsberg**, Schaumburg, IL (US)

(73) Assignee: **Old World Industries, Inc.**, Northbrook, IL (US)

(**) Term: **14 Years**

(21) Appl. No.: **29/355,781**

(22) Filed: **Feb. 12, 2010**

Related U.S. Application Data

(63) Continuation of application No. 29/341,291, filed on Aug. 3, 2009, now Pat. No. Des. 609,633.

(51) **LOC (9) Cl.** **13-02**

(52) **U.S. Cl.** **D13/107; D13/110; D15/9**

(58) **Field of Classification Search** D13/102-103, D13/107-110, 114, 116, 118-119, 133, 144, D13/184; 320/103-105, 107-115; D15/7-9; D23/231, 232; 417/410.1, 359, 415-416, 417/234, 321, 265, 405
See application file for complete search history.

(56) **References Cited**

U.S. PATENT DOCUMENTS

D334,560 S	4/1993	Wilson	
D393,446 S *	4/1998	Bellofatto et al.	D13/106
D403,661 S *	1/1999	Mariani	D13/106
D466,077 S	11/2002	Wang	
D484,852 S	1/2004	James et al.	
D489,733 S *	5/2004	Leasure et al.	D15/9
D493,137 S	7/2004	Casarella	
D503,377 S	3/2005	Krieger et al.	
D503,378 S	3/2005	Hussaini et al.	
D504,396 S	4/2005	Hussaini et al.	
D504,661 S	5/2005	Krieger et al.	
D504,870 S	5/2005	Krieger et al.	
D518,435 S	4/2006	Kurth	
D529,926 S *	10/2006	Krieger et al.	D15/9
D530,664 S *	10/2006	Wingarter et al.	D13/107
D530,665 S *	10/2006	Krieger et al.	D13/107
D530,666 S	10/2006	Krieger et al.	

D545,269 S *	6/2007	Dayan	D13/107
D545,270 S	6/2007	Dayan	
D549,644 S *	8/2007	Hulden	D13/107
D565,601 S *	4/2008	Mandsfelt	D15/9
D585,822 S *	2/2009	Hsu	D13/107
D609,634 S *	2/2010	Daniels et al.	D13/107

* cited by examiner

Primary Examiner—Rosemary K Tarcza

(74) *Attorney, Agent, or Firm*—McAndrews, Held & Malloy, Ltd.

(57) **CLAIM**

The ornamental design for a jump starter, as shown and described.

DESCRIPTION

FIG. 1 is a front perspective view of a first embodiment of a jump starter showing our new design;

FIG. 2 is a front elevation view thereof;

FIG. 3 is a rear elevation view thereof;

FIG. 4 is a left side elevation view thereof;

FIG. 5 is a right side elevation view thereof;

FIG. 6 is a top plan view thereof;

FIG. 7 is a bottom plan view thereof;

FIG. 8 is a rear perspective view thereof;

FIG. 9 is a front perspective view of a second embodiment of a jump starter showing our new design;

FIG. 10 is a front elevation view thereof;

FIG. 11 is a rear elevation view thereof;

FIG. 12 is a left side elevation view thereof;

FIG. 13 is a right side elevation view thereof;

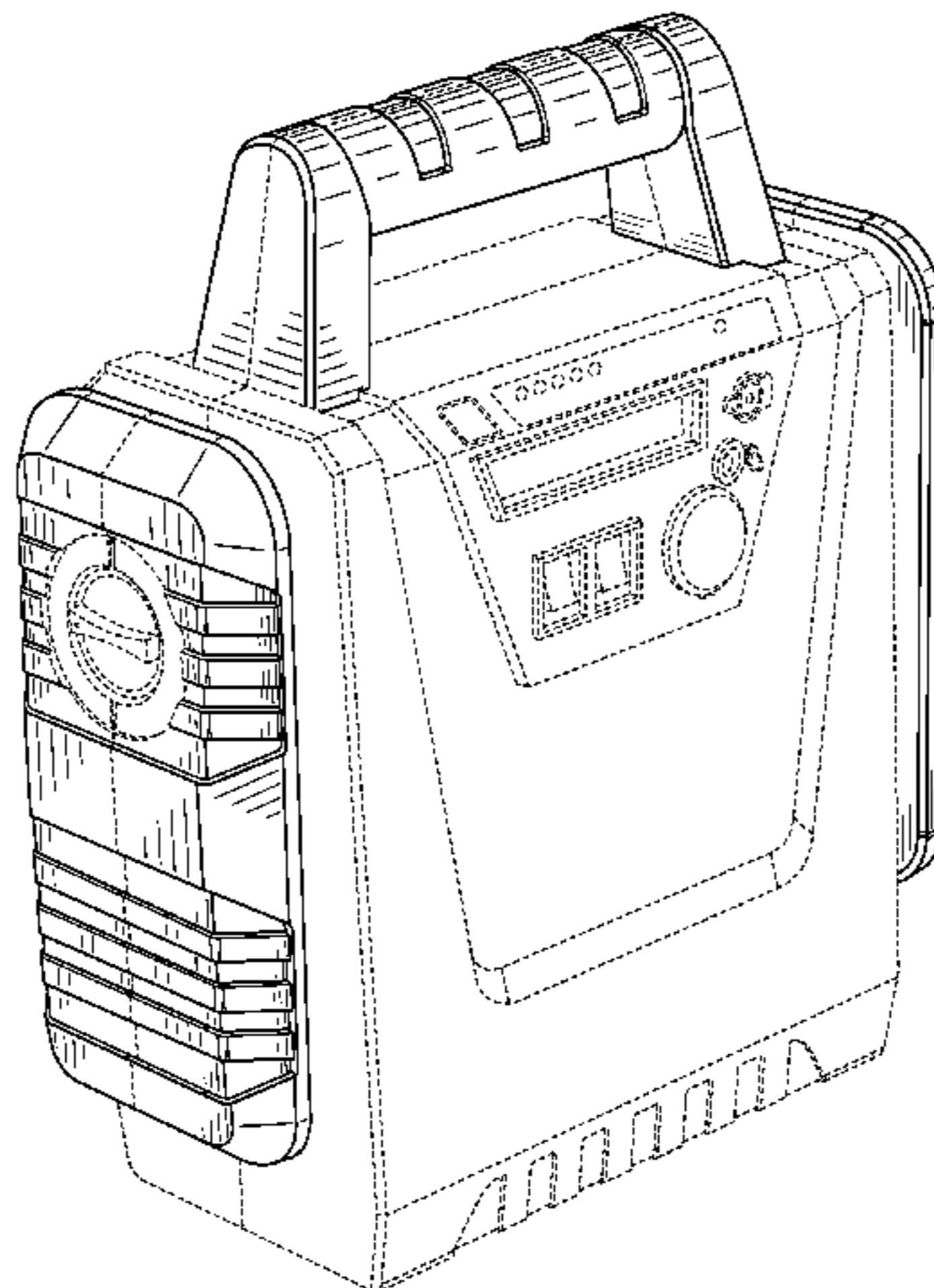
FIG. 14 is a top plan view thereof;

FIG. 15 is a bottom plan view thereof; and,

FIG. 16 is a rear perspective view thereof.

The broken lines in the drawings represent environmental subject matter and form no part of the claimed design.

1 Claim, 14 Drawing Sheets



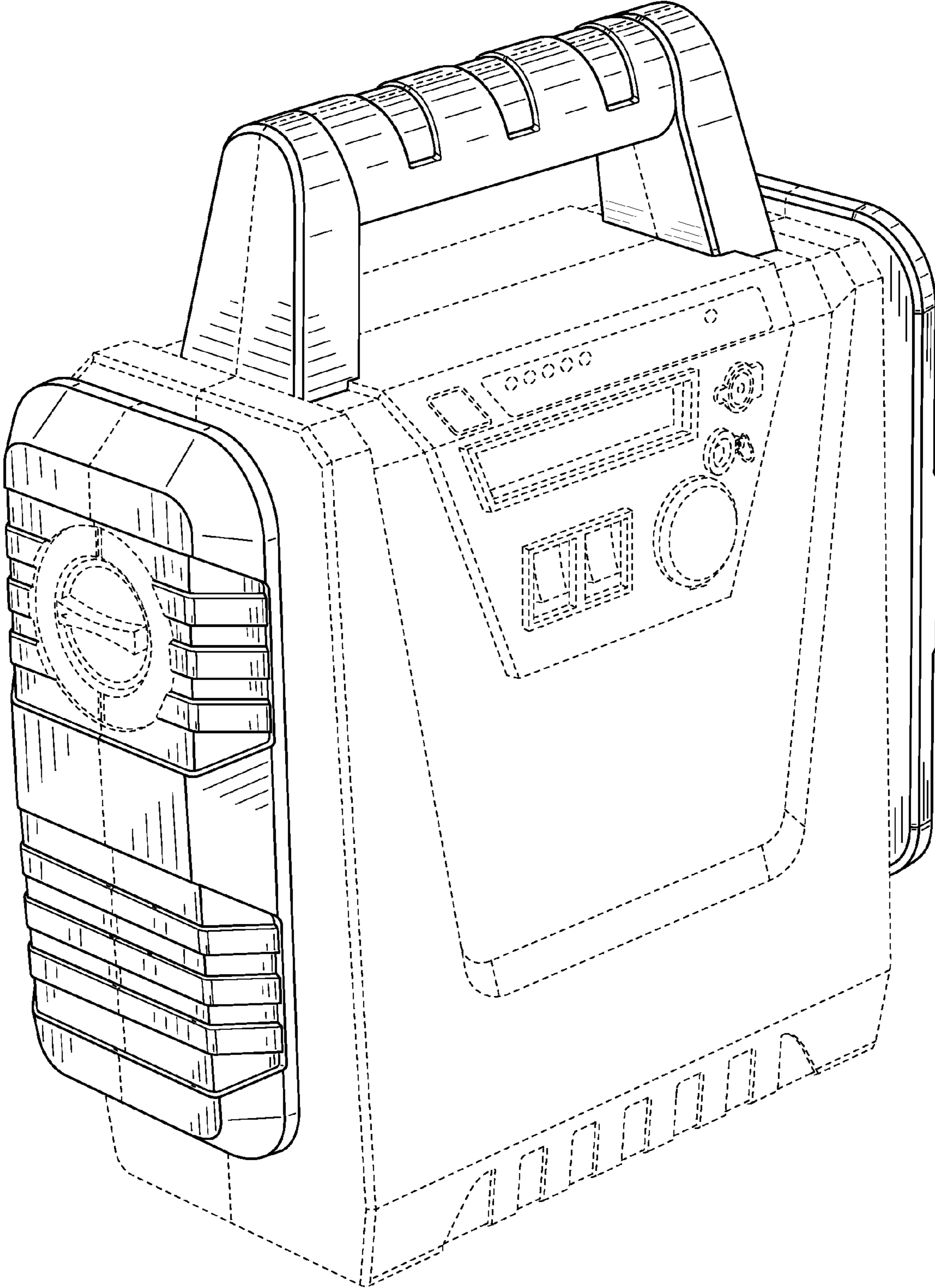


FIG. 1

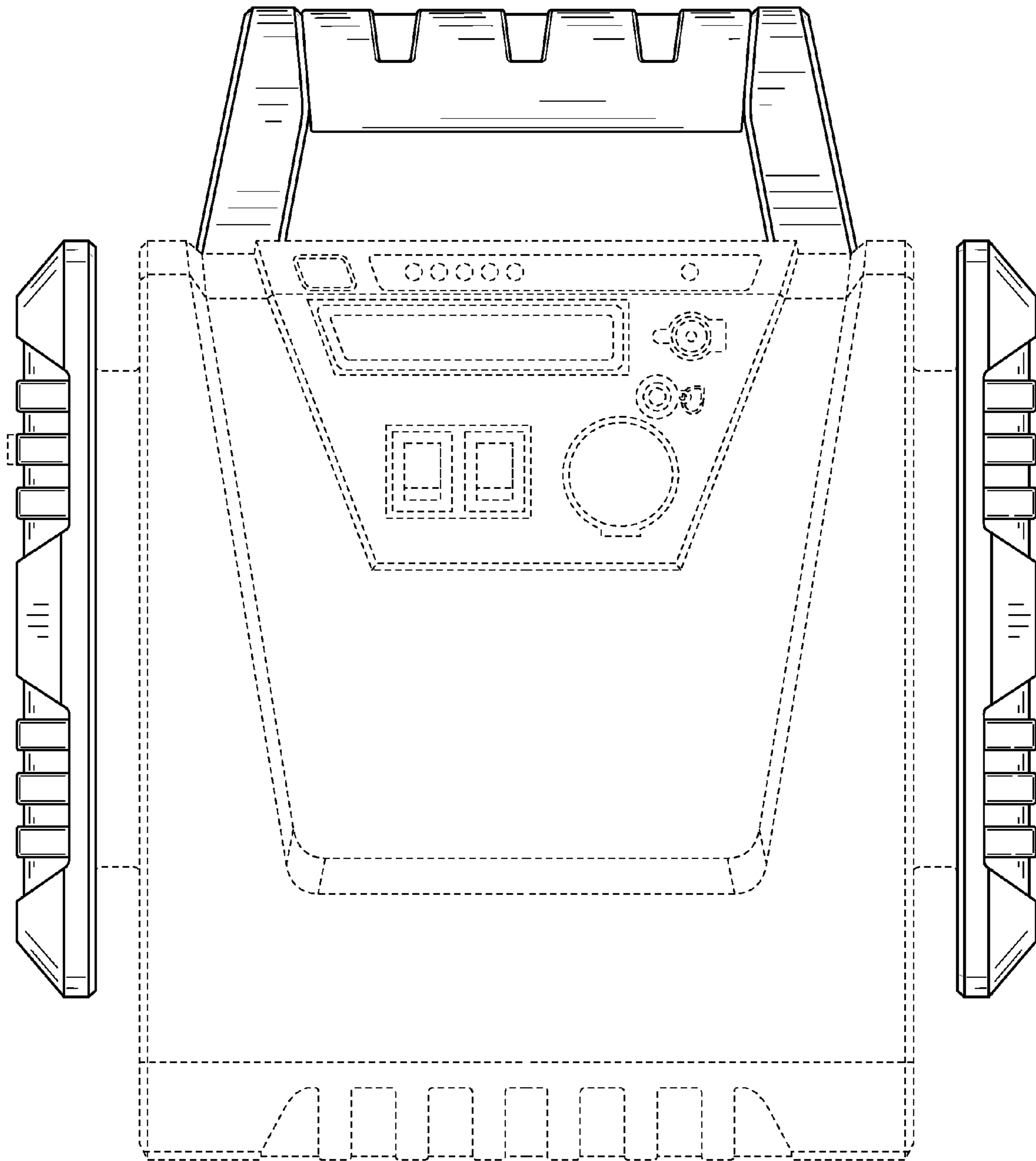


FIG. 2

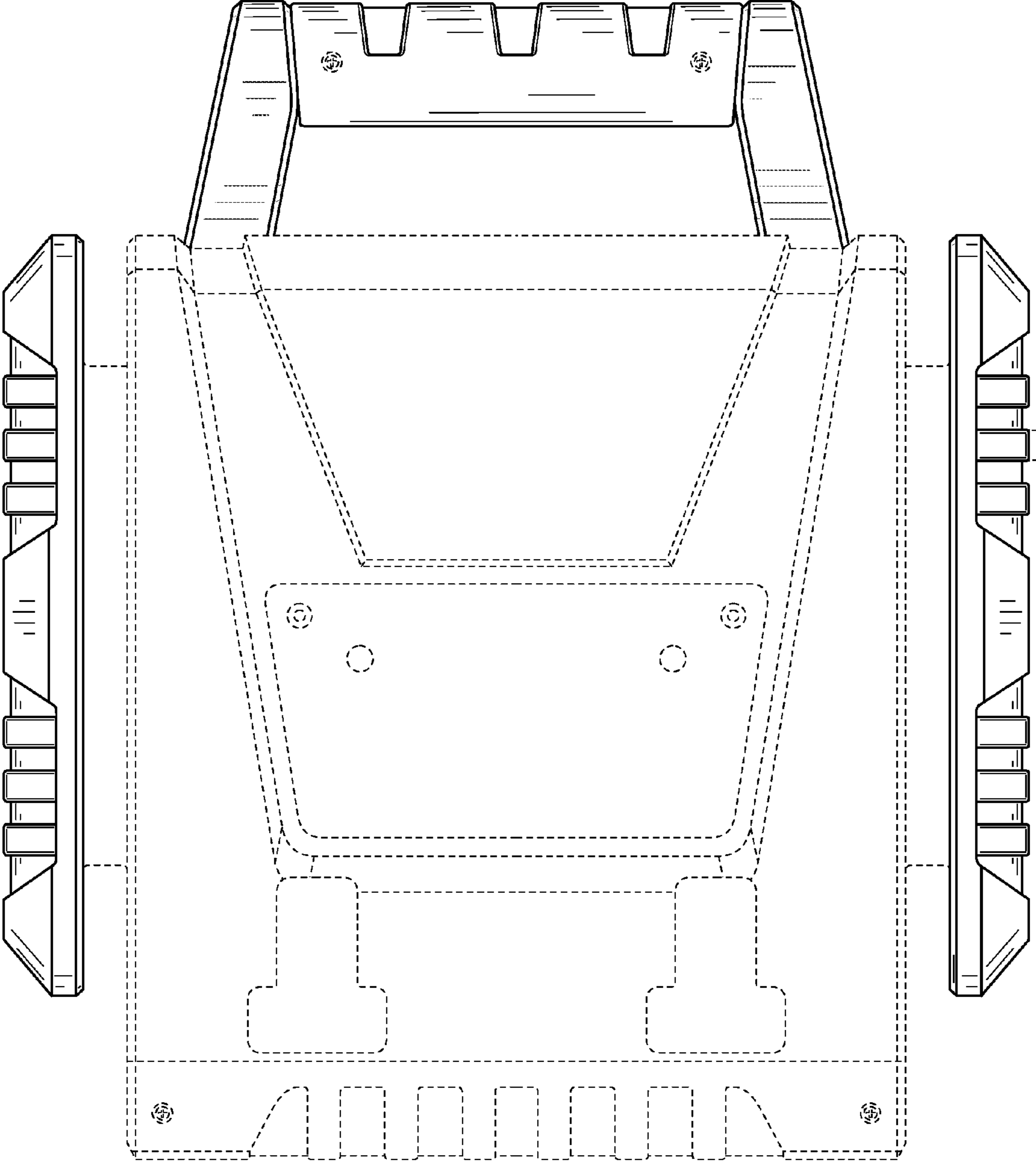


FIG. 3

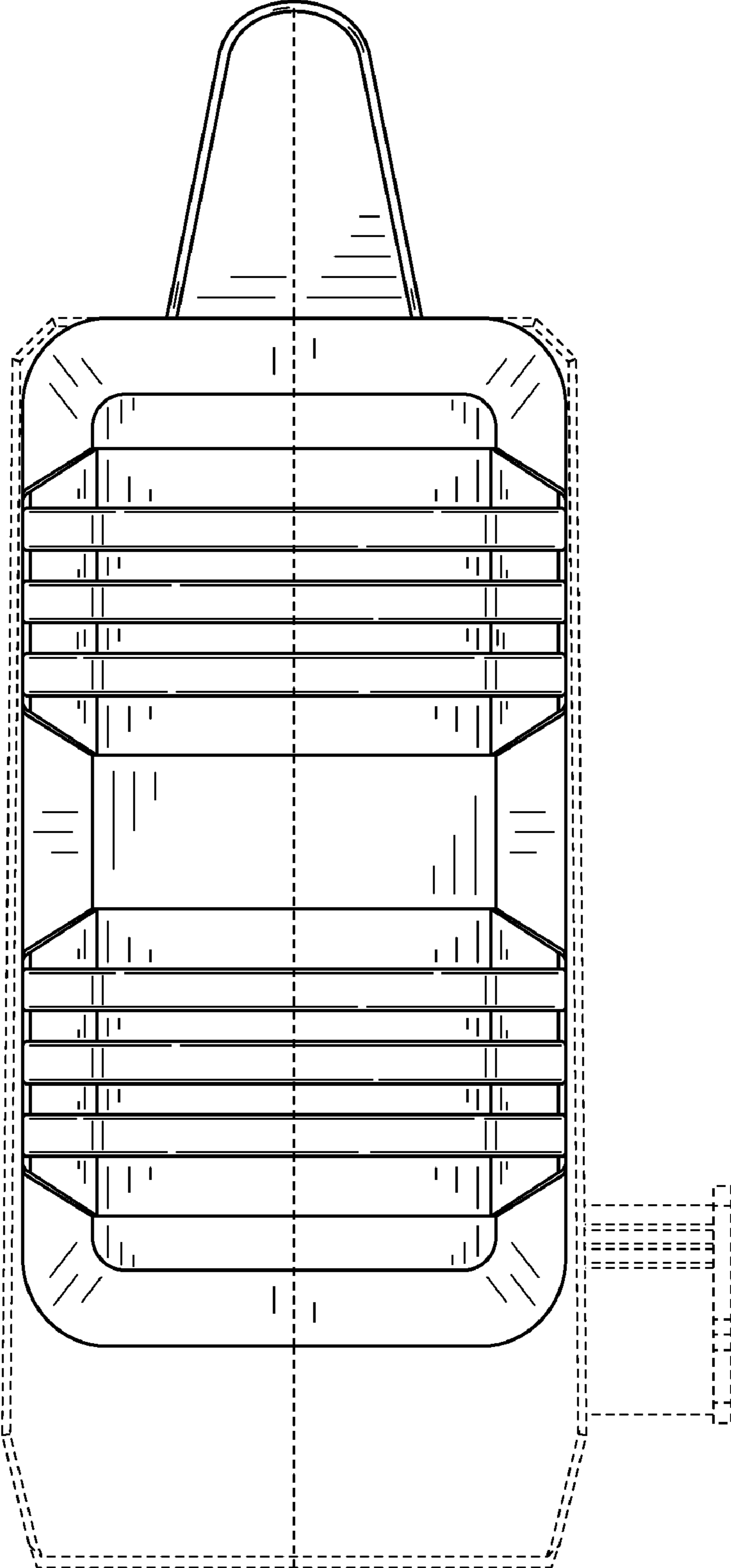


FIG. 4

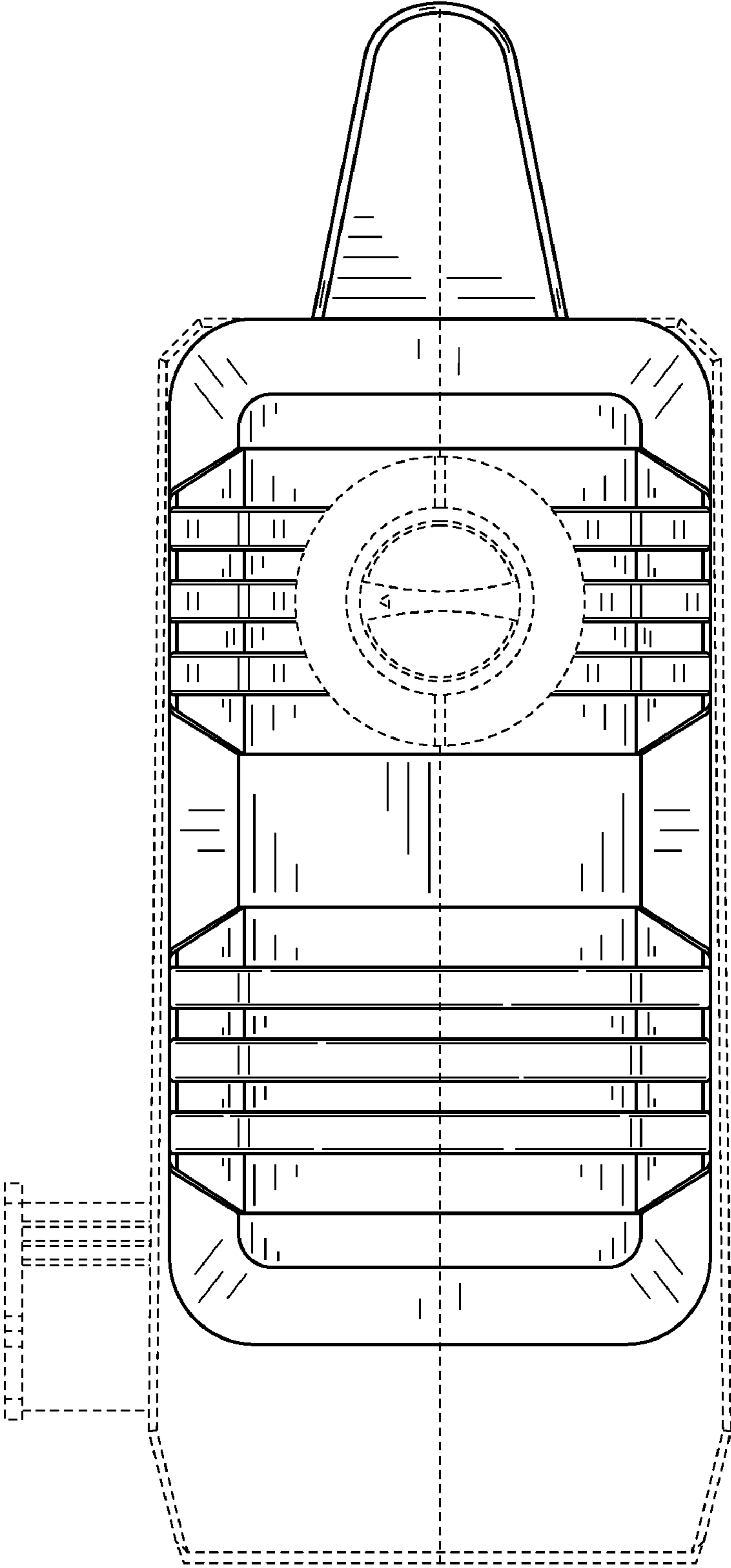


FIG. 5

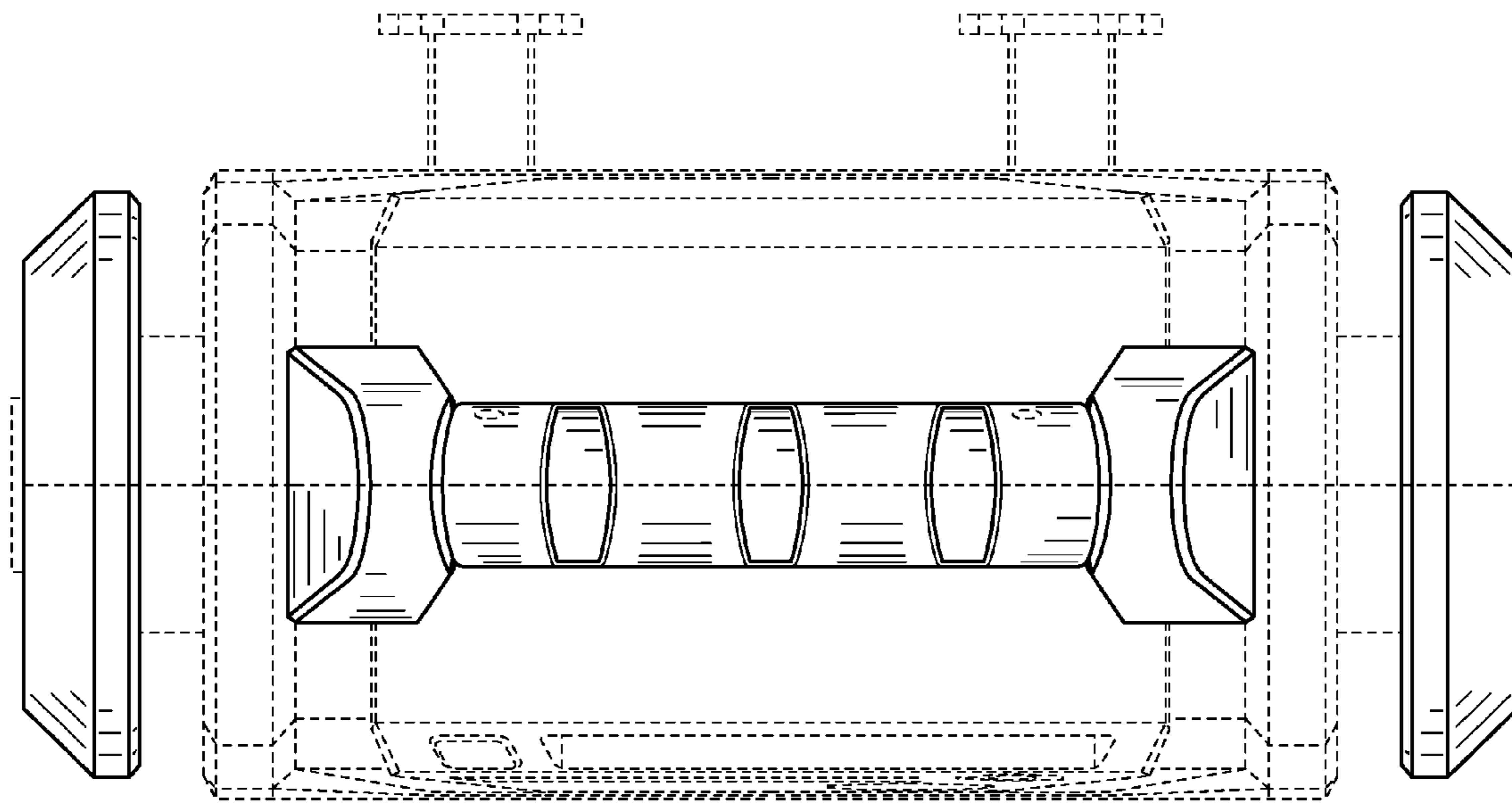


FIG. 6

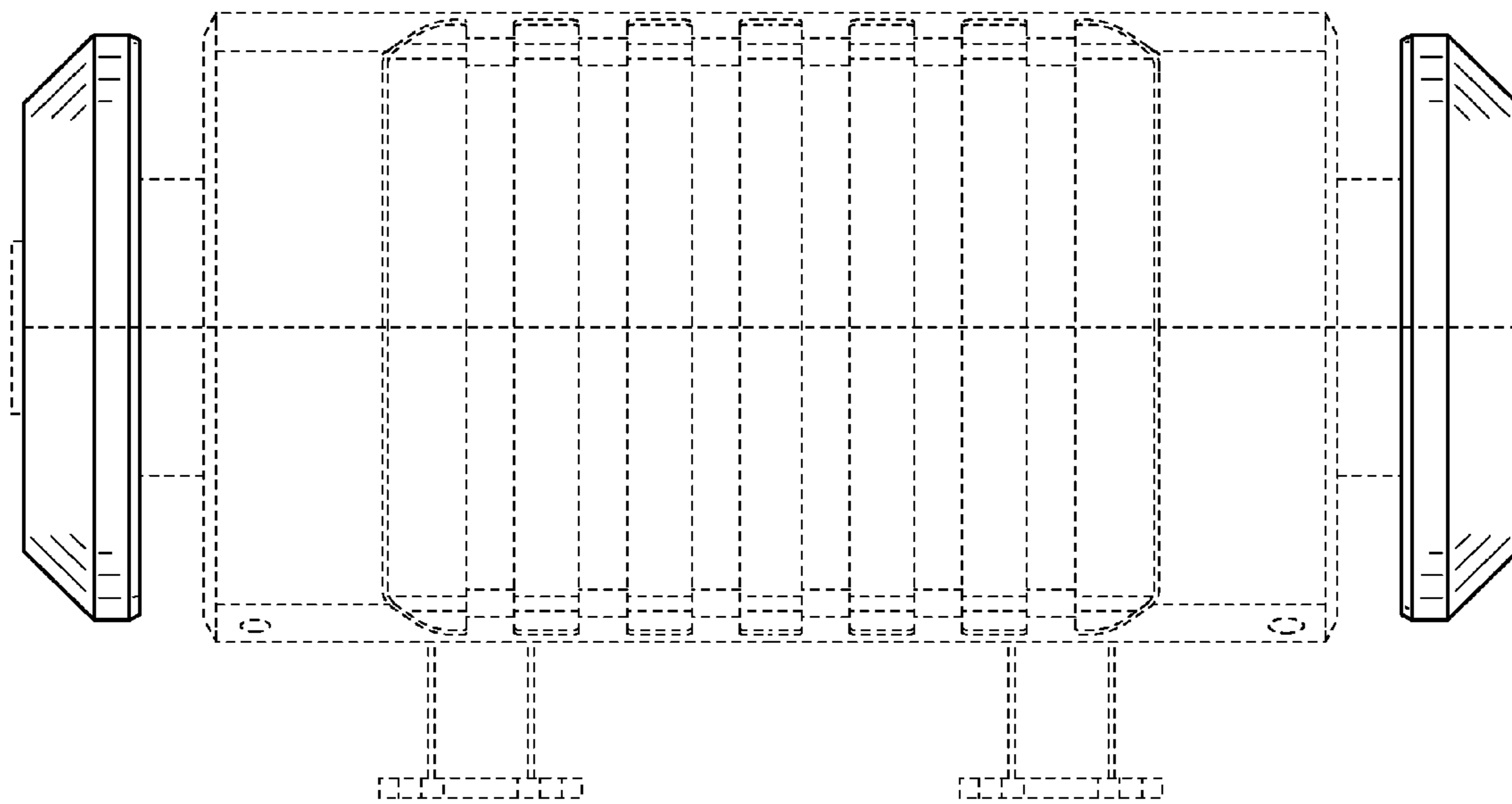


FIG. 7

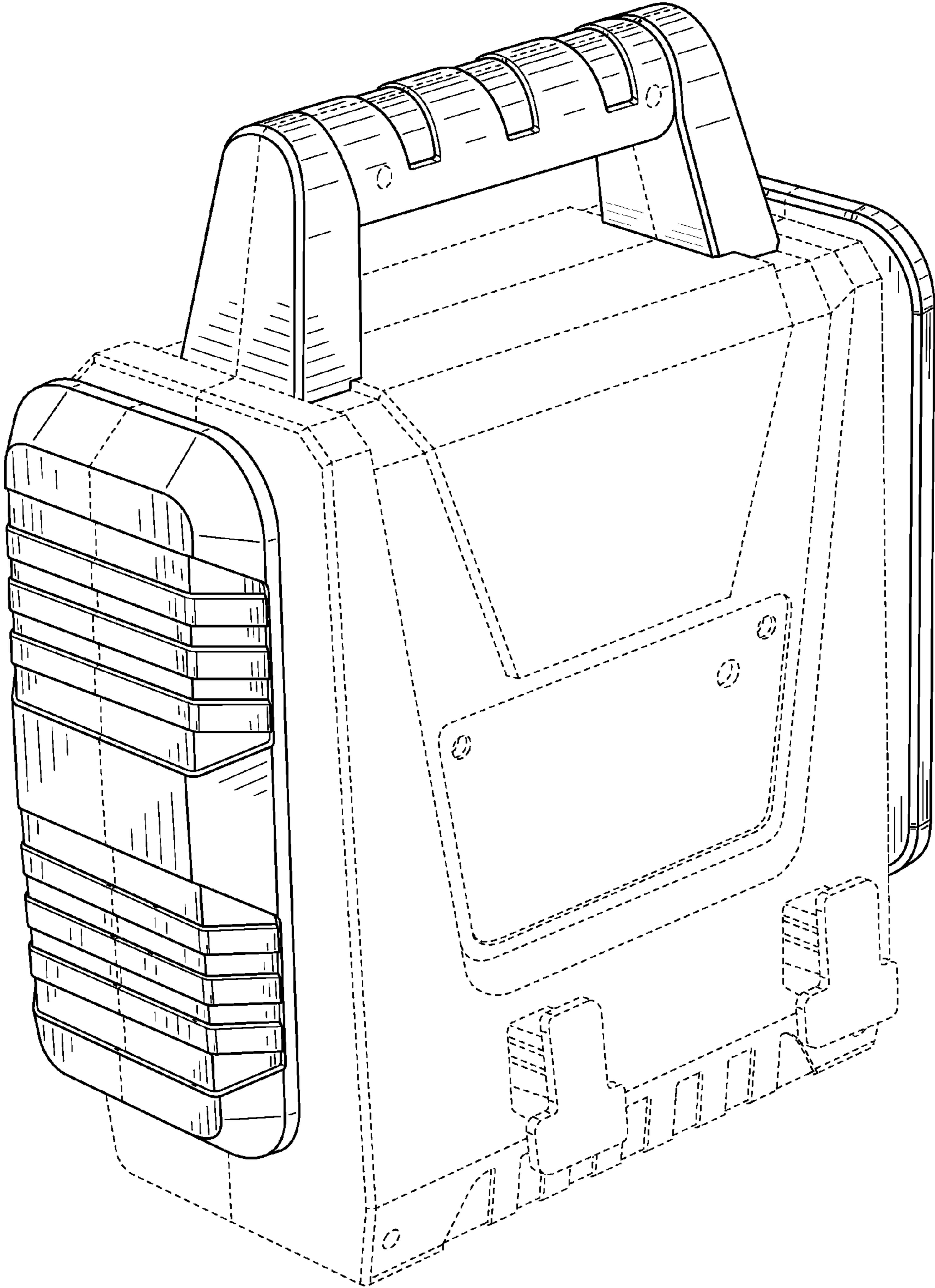


FIG. 8

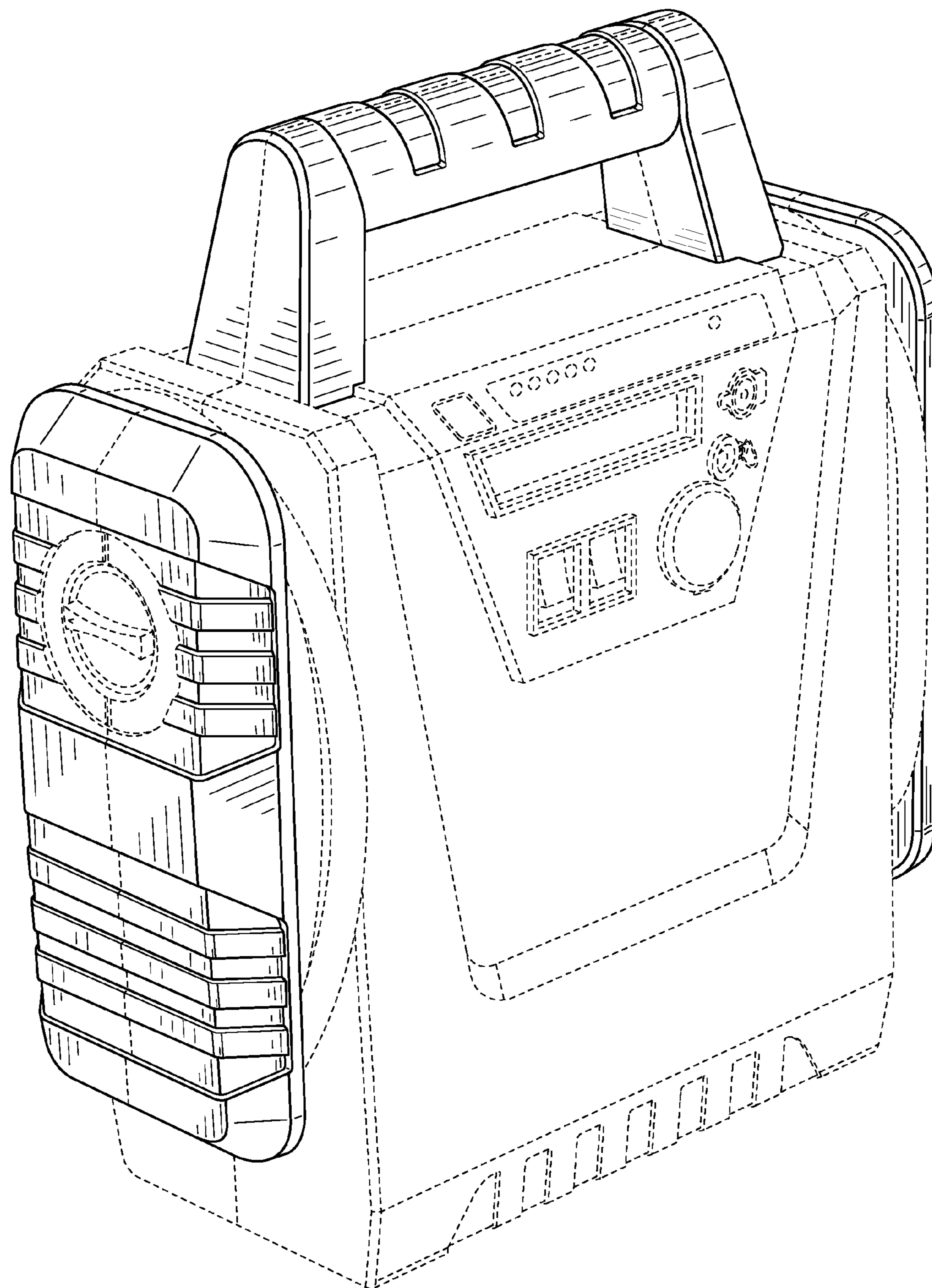


FIG. 9

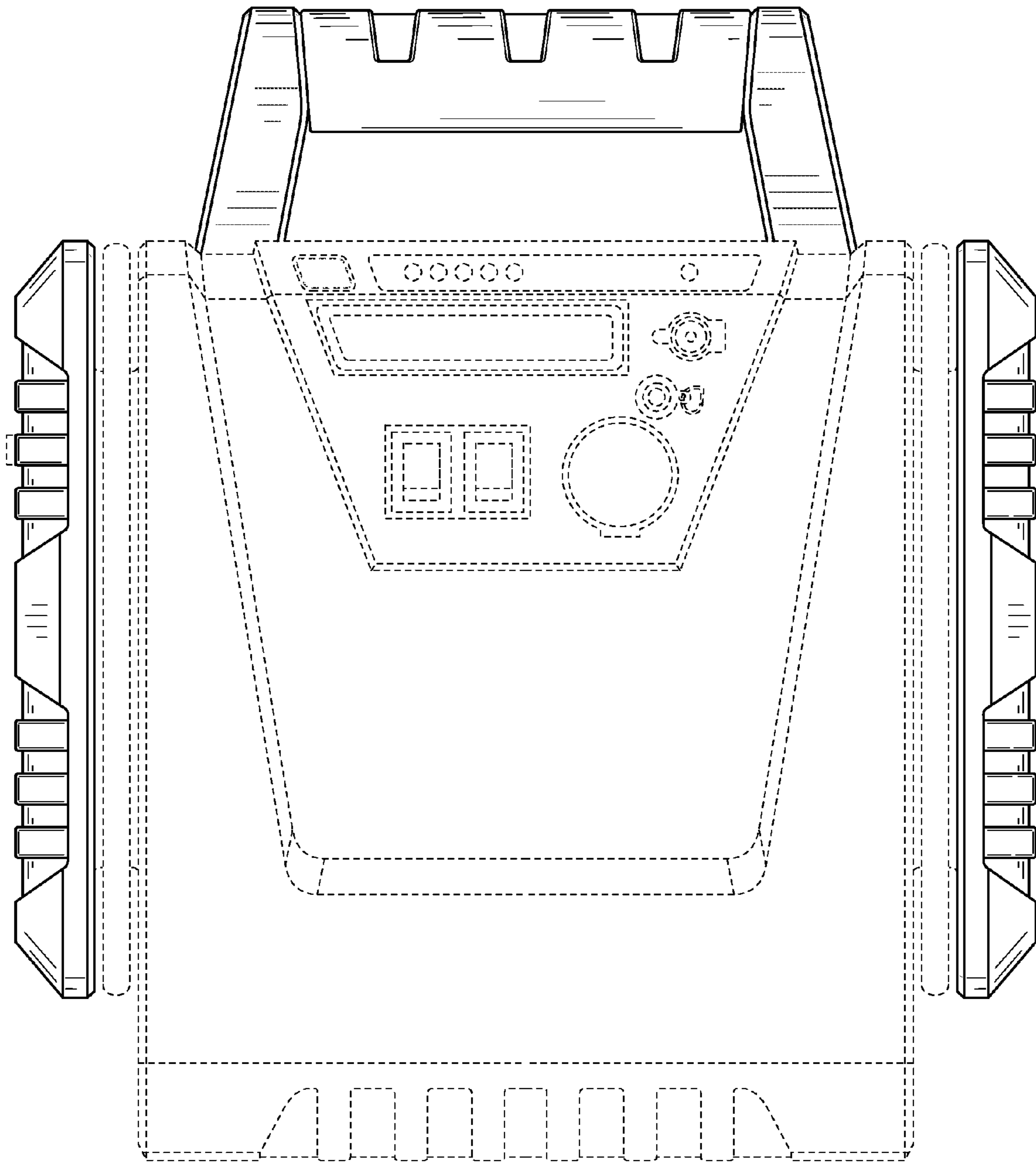


FIG. 10

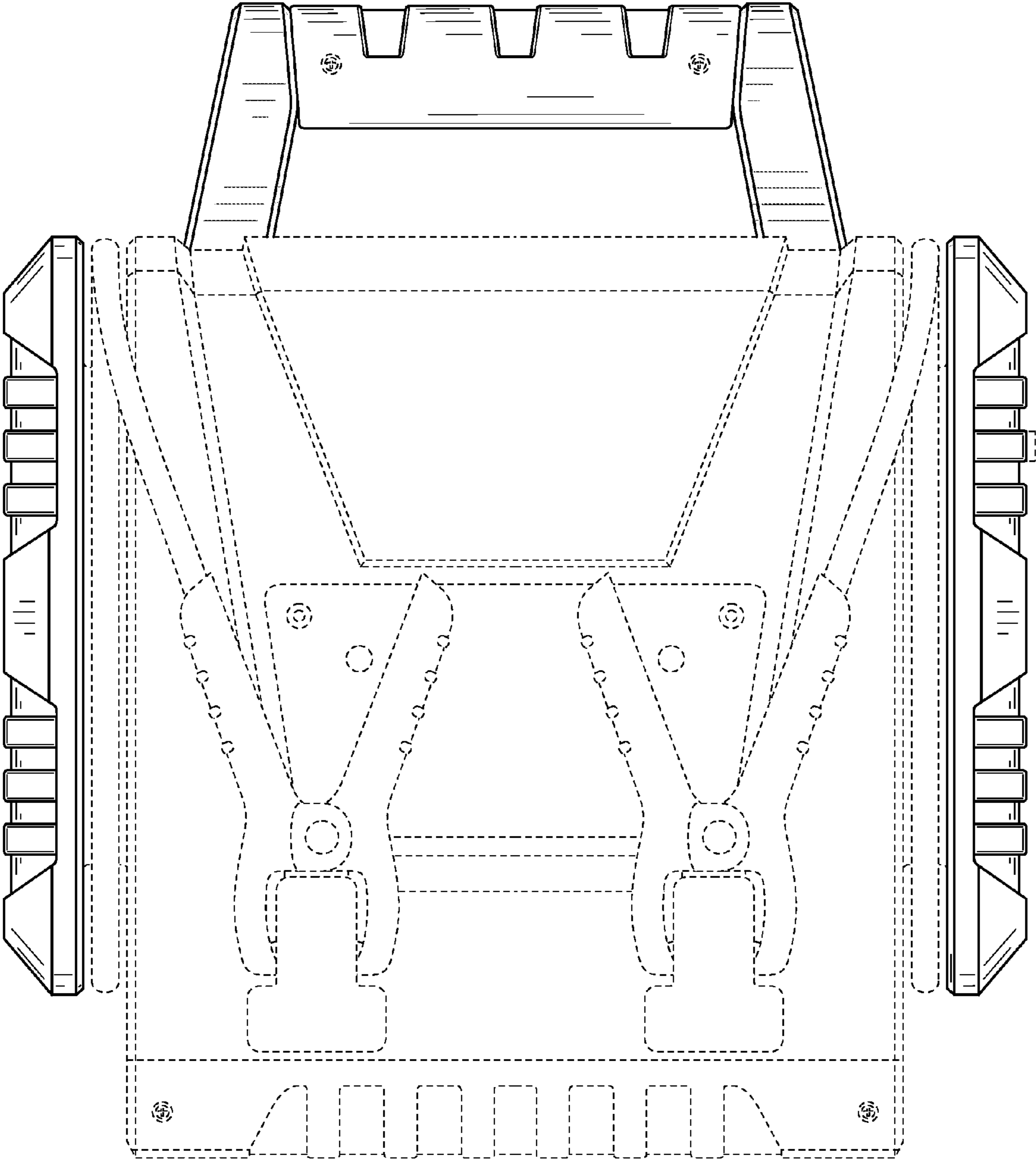


FIG. 11

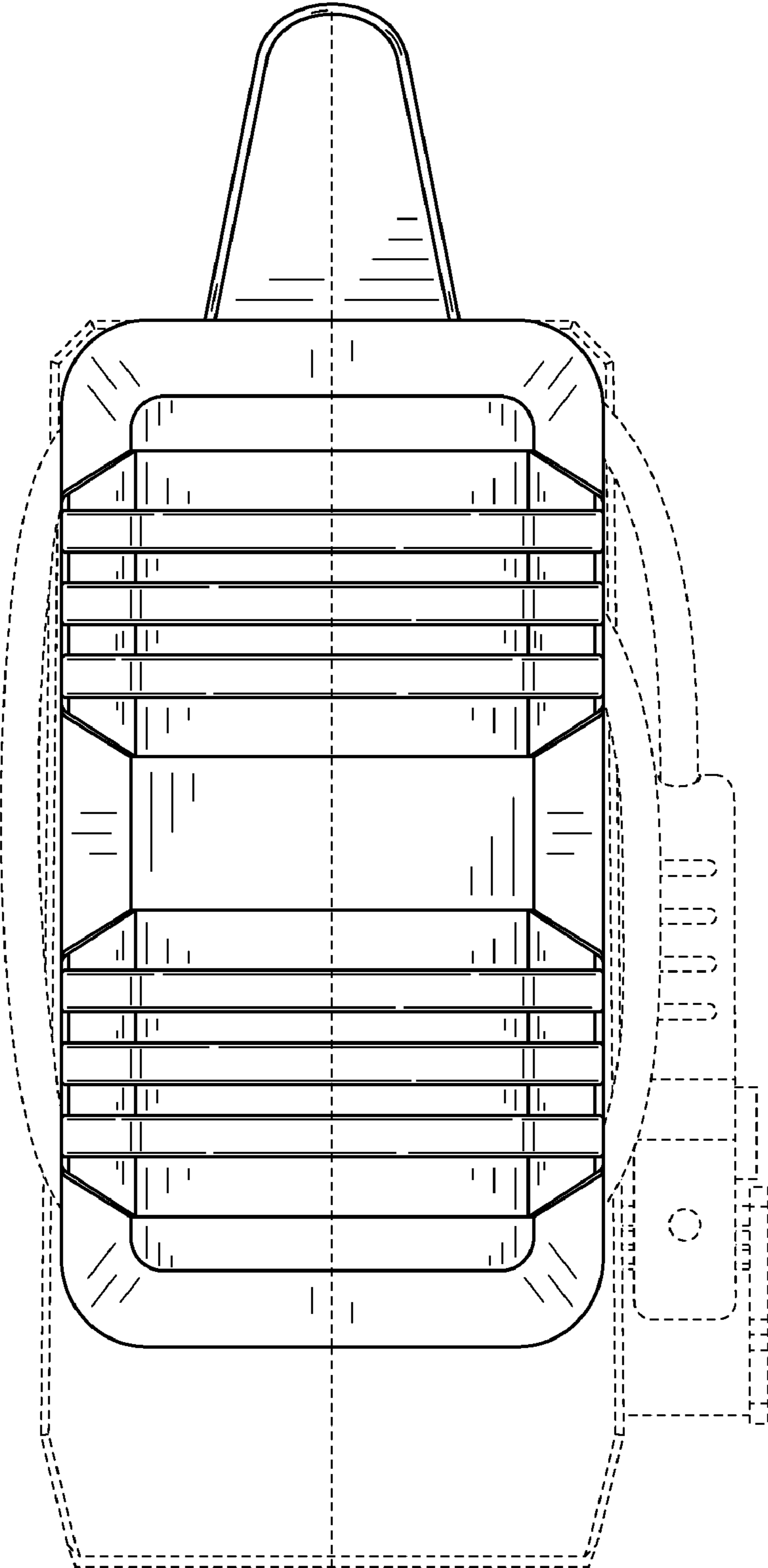


FIG. 12

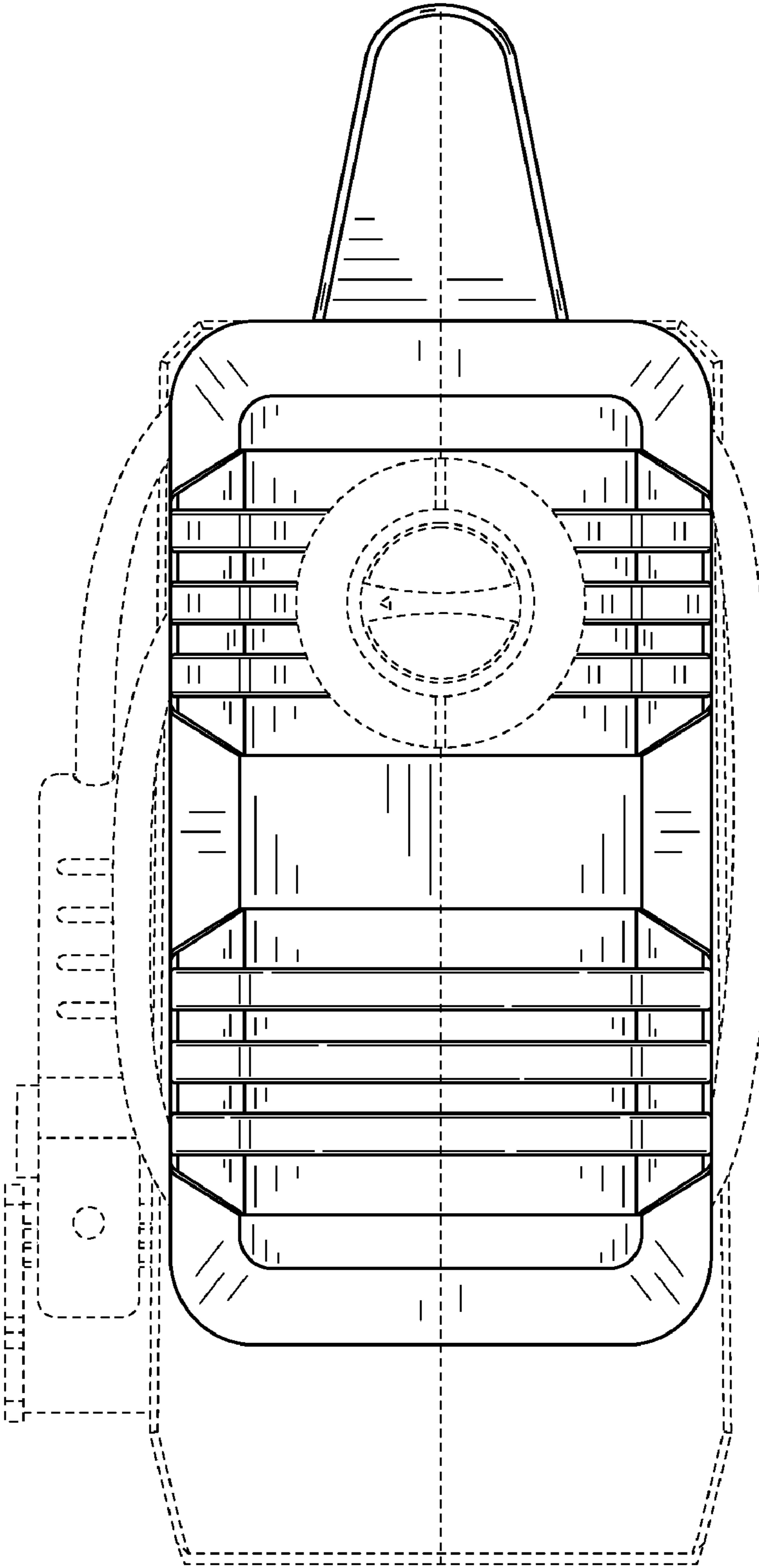


FIG. 13

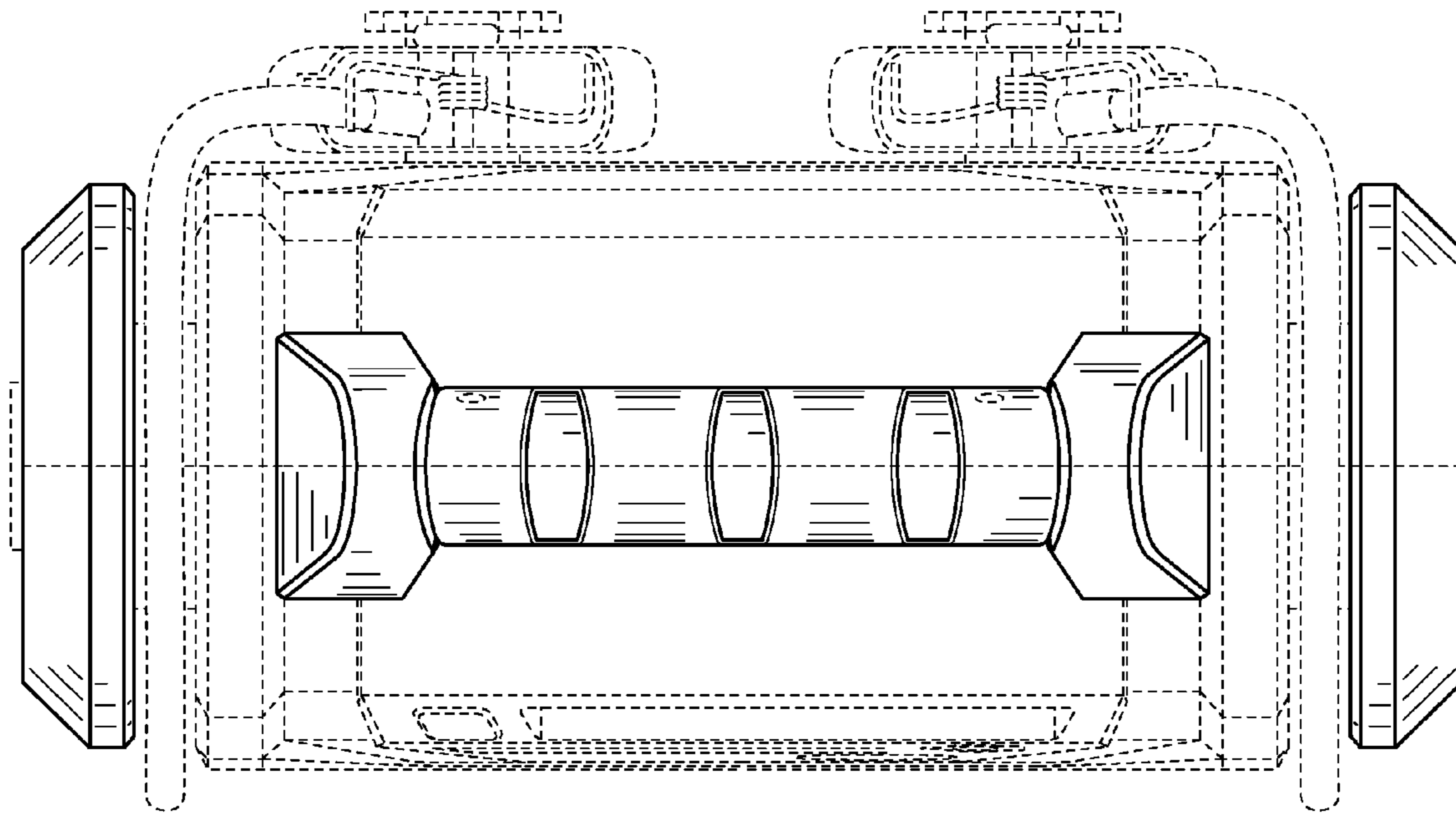


FIG. 14

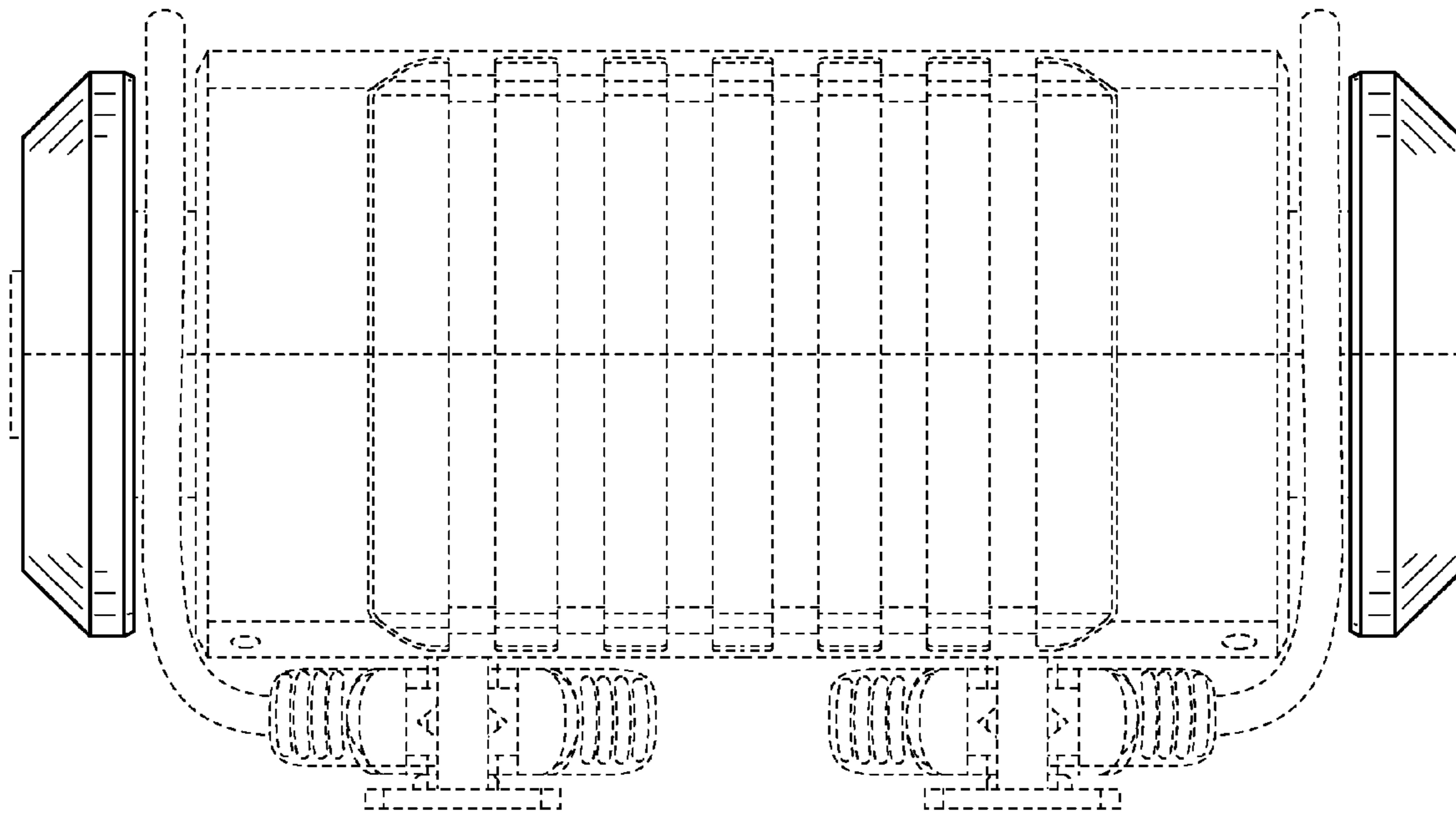


FIG. 15

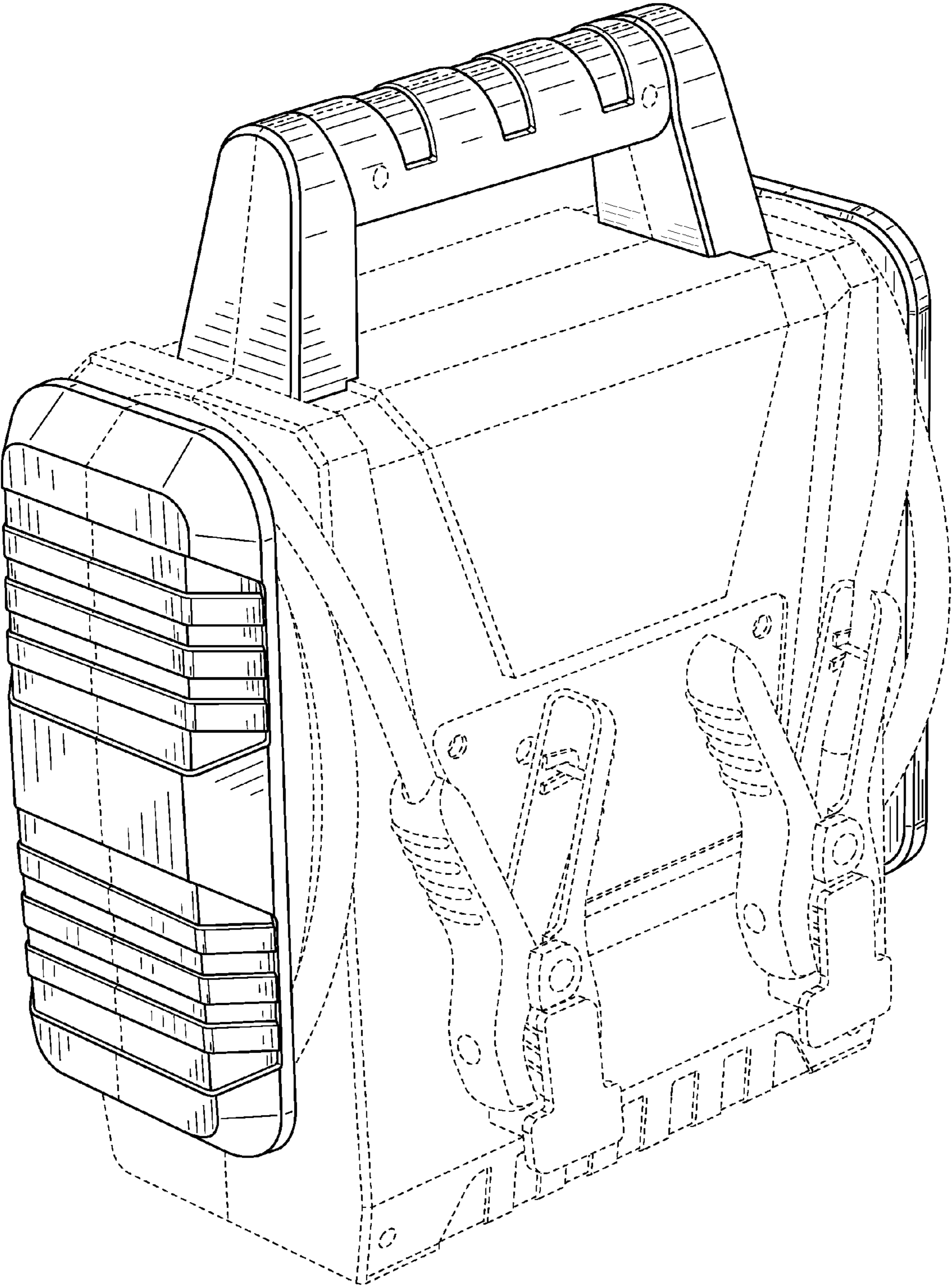


FIG. 16