



US00D624482S

(12) **United States Design Patent**
Schuephaus et al.

(10) **Patent No.:** **US D624,482 S**

(45) **Date of Patent:** **** Sep. 28, 2010**

(54) **CEILING LINING PANEL FOR AN AIRCRAFT CABIN**

D533,129 S * 12/2006 Guard et al. D12/345

(75) Inventors: **Florian Schuephaus**, Hamburg (DE);
Silvan Fiedler, Ulm (DE)

* cited by examiner

(73) Assignee: **Deutschland GmbH**, Hamburg (DE)

Primary Examiner—Ian Simmons

Assistant Examiner—Dana L Sipos

(**) Term: **14 Years**

(74) *Attorney, Agent, or Firm*—Wood, Herron & Evans,
L.L.P.

(21) Appl. No.: **29/332,419**

(22) Filed: **Feb. 16, 2009**

(57) **CLAIM**

The ornamental design for a ceiling lining panel for an aircraft cabin, as shown and described.

Related U.S. Application Data

(62) Division of application No. 29/295,859, filed on Oct. 9, 2007.

DESCRIPTION

(30) **Foreign Application Priority Data**

Apr. 18, 2007 (EM) 000709142

(51) **LOC (9) Cl.** **12-07**

(52) **U.S. Cl.** **D12/345**

(58) **Field of Classification Search** D12/317–319,
D12/322–324, 326, 343, 345, 400, 195, 183,
D12/418, 415, 190, 192; 114/78, 189; D25/52;
244/117 R, 119, 126, 129.1, 129.3; 296/200–201
See application file for complete search history.

FIG. 1 is a front elevation view of a ceiling lining panel for an aircraft cabin showing our new design; and,

FIG. 2 is a front perspective view thereof.

In each of these Figures, the unshown portion of the ceiling lining panel for an aircraft cabin forms no part of the claimed design.

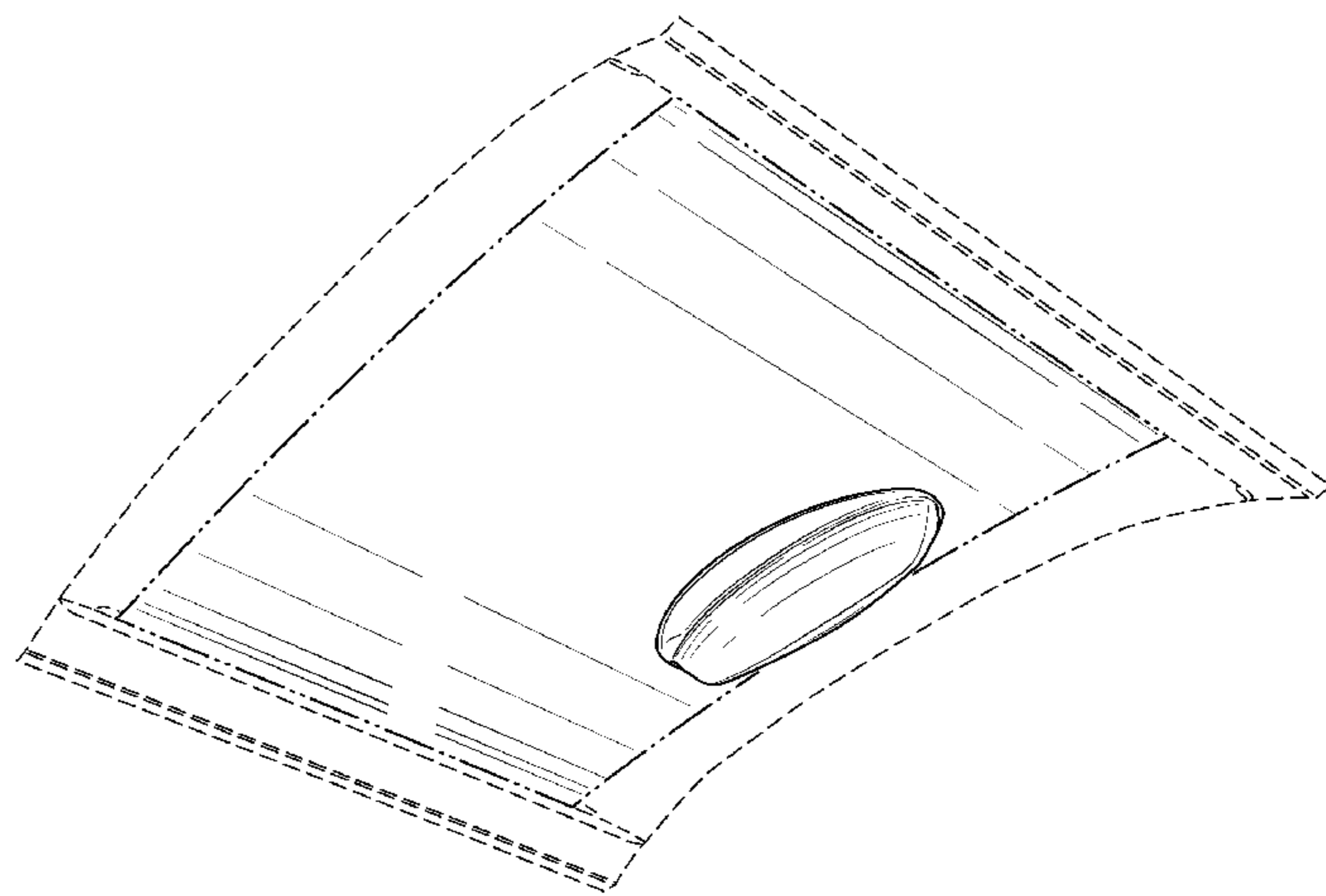
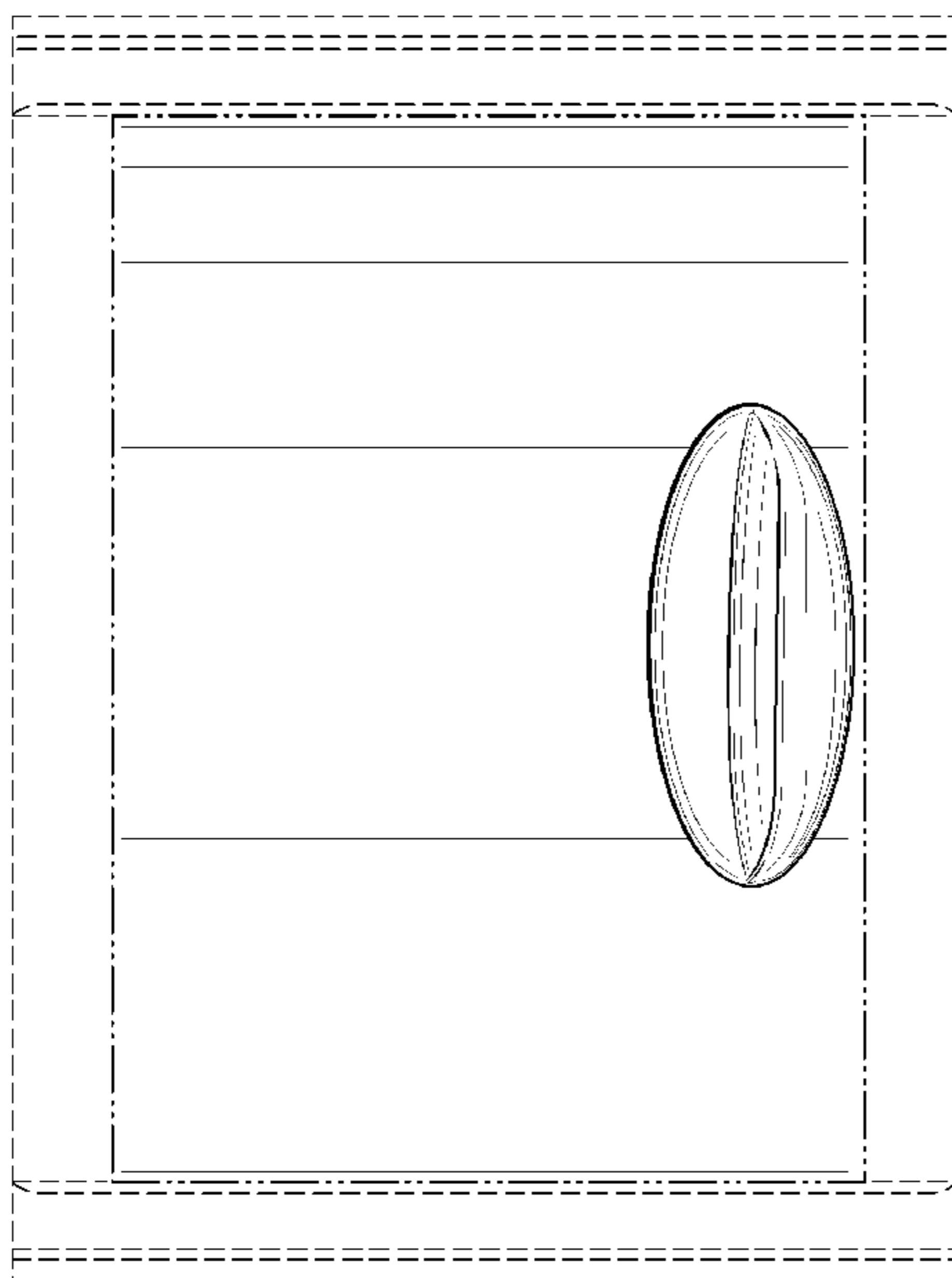
The evenly dashed broken lines in the drawings illustrate the portions of the design that form no part of the claim. The dot-dash broken lines in the drawings define the bounds of the claim and form no part thereof.

(56) **References Cited**

U.S. PATENT DOCUMENTS

D516,496 S * 3/2006 Guard et al. D12/345

1 Claim, 2 Drawing Sheets



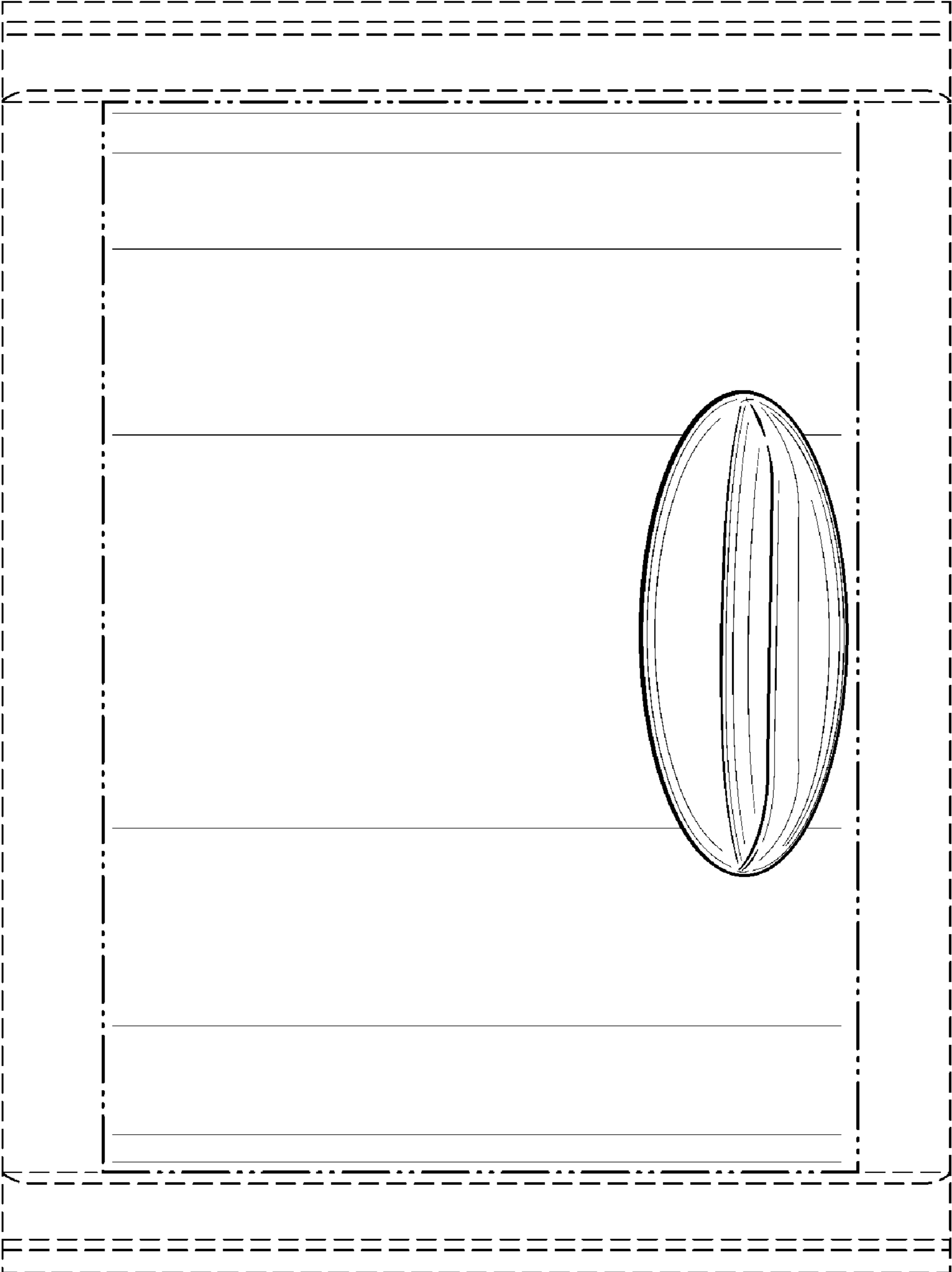


FIG. 1

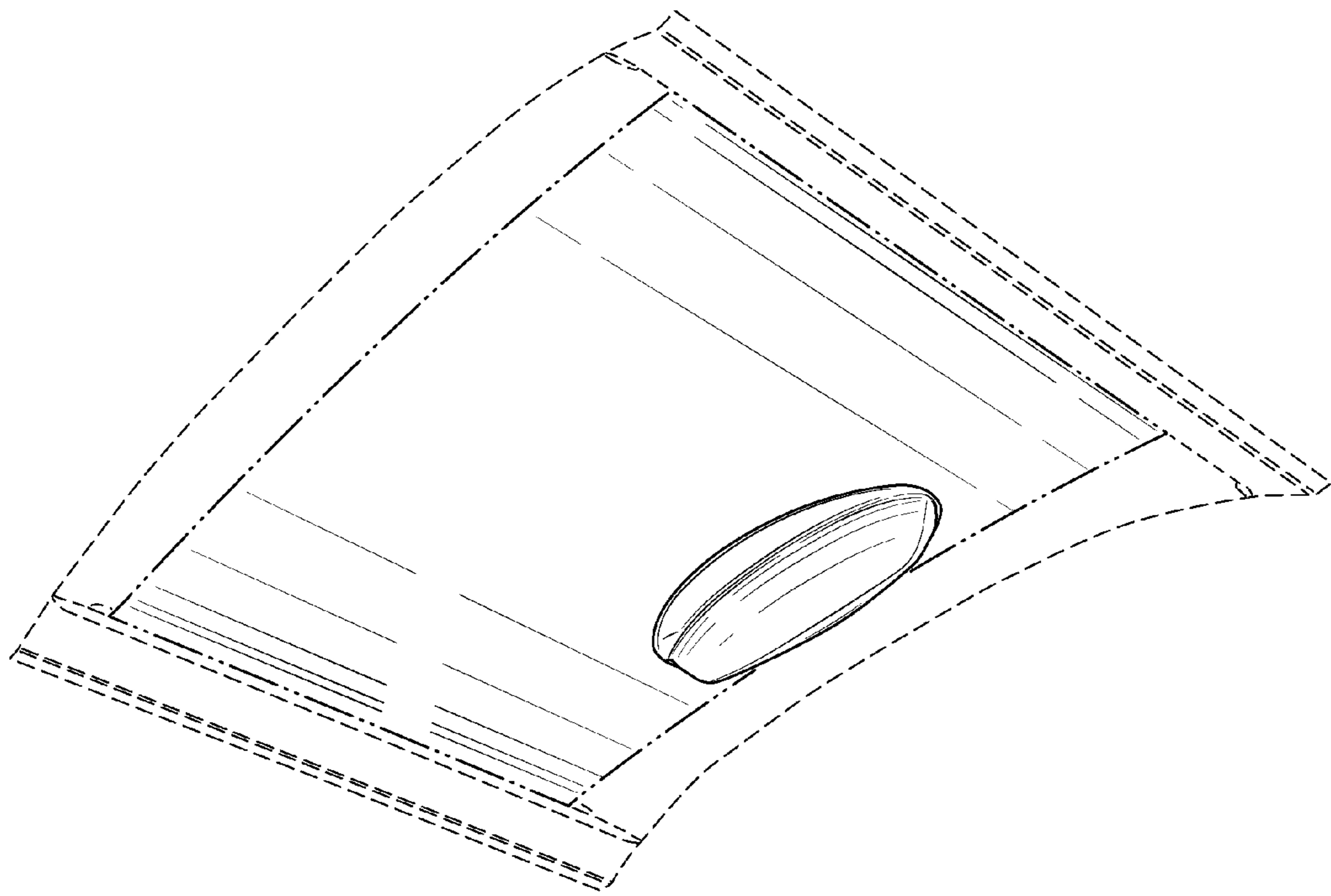


FIG. 2