



US00D624479S

(12) **United States Design Patent**  
**Guering**

(10) **Patent No.:** **US D624,479 S**

(45) **Date of Patent:** **\*\* Sep. 28, 2010**

(54) **AIRCRAFT**

(75) Inventor: **Bernard Guering**, Montrabe (FR)

(73) Assignee: **Airbus Operations S.A.S.**, Toulouse  
Cedex (FR)

(\*\*) Term: **14 Years**

(21) Appl. No.: **29/342,556**

(22) Filed: **Aug. 27, 2009**

D405,854 S	2/1999	Grant	
D482,535 S	11/2003	Williams et al.	
D494,772 S	8/2004	Kagan	
D510,486 S	10/2005	Karl	
D515,012 S *	2/2006	Eatkins et al.	D12/319
D516,995 S *	3/2006	Eatkins et al.	D12/319
D529,857 S *	10/2006	Eakins et al.	D12/319
D533,364 S	12/2006	Gehry	
D537,029 S *	2/2007	Eakins et al.	D12/319
D576,820 S	9/2008	Priestman	
D576,938 S *	9/2008	Moon	D12/343
D578,318 S	10/2008	Laflamme	
D589,867 S *	4/2009	Chesne et al.	D12/343
D614,115 S	4/2010	Guering	

**Related U.S. Application Data**

(62) Division of application No. 29/275,960, filed on Jan. 10, 2007.

**Foreign Application Priority Data**

Jul. 13, 2006	(EM)	000572334
Jul. 13, 2006	(EM)	000572342
Jul. 13, 2006	(EM)	000572383
Jul. 13, 2006	(EM)	000572391

(51) **LOC (9) Cl.** ..... **12-07**

(52) **U.S. Cl.** ..... **D12/343**

(58) **Field of Classification Search** ..... D12/319,  
D12/333, 341, 343, 345; D21/447, 448,  
D21/582; 244/35 A, 45 A, 118.5, 119

See application file for complete search history.

(56) **References Cited**

**U.S. PATENT DOCUMENTS**

D286,586 S	11/1986	Radford	
5,062,595 A *	11/1991	Maxworthy	244/214
D330,811 S	11/1992	Genova et al.	
D359,472 S	6/1995	Day	
D370,456 S *	6/1996	Buchsel et al.	D12/340
D372,367 S	8/1996	Bonaddio et al.	
D372,805 S	8/1996	Bonaddio et al.	

**OTHER PUBLICATIONS**

U.S. Appl. No. 29/275,962; Title: Front Portion of an Aircraft; filed Jan. 10, 2007.

\* cited by examiner

*Primary Examiner*—Cathron C. Brooks

*Assistant Examiner*—Maurice Stevens

(74) *Attorney, Agent, or Firm*—Osler, Hoskin & Harcourt LLP

(57) **CLAIM**

The ornamental design for an aircraft, as shown and described.

**DESCRIPTION**

FIG. 1 is a left side elevation view of an aircraft according to my new design;

FIG. 2 is a top plan view thereof;

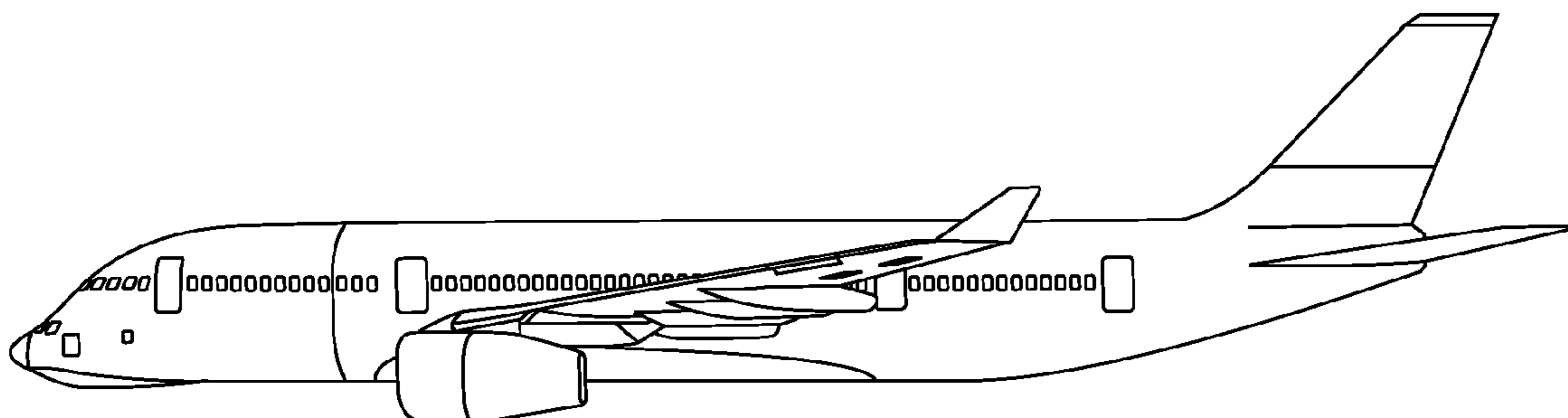
FIG. 3 is a front elevation view thereof;

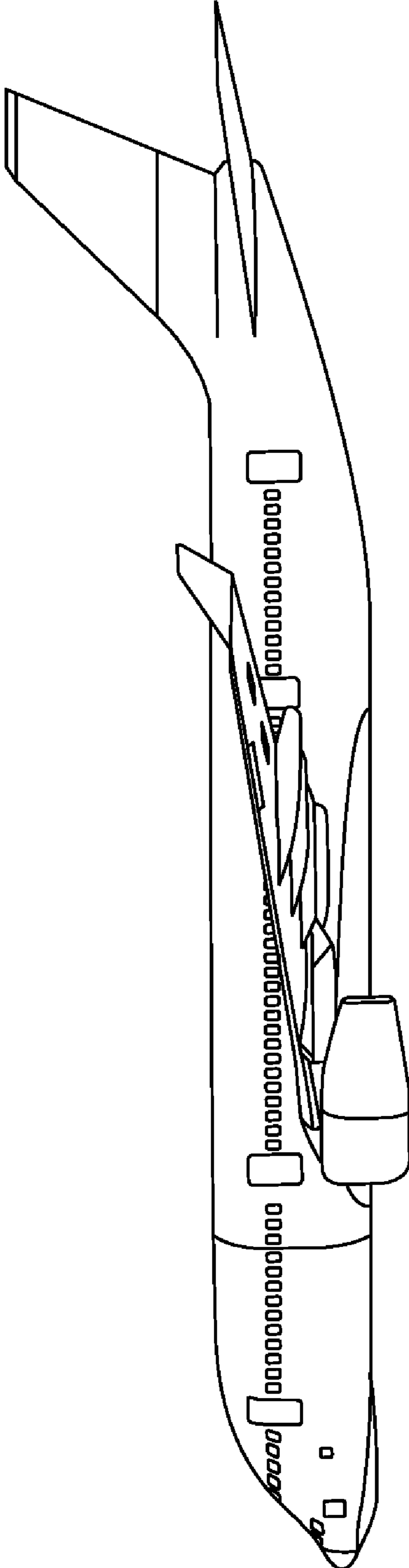
FIG. 4 is a rear elevation view thereof;

FIG. 5 is a right side elevation view thereof; and,

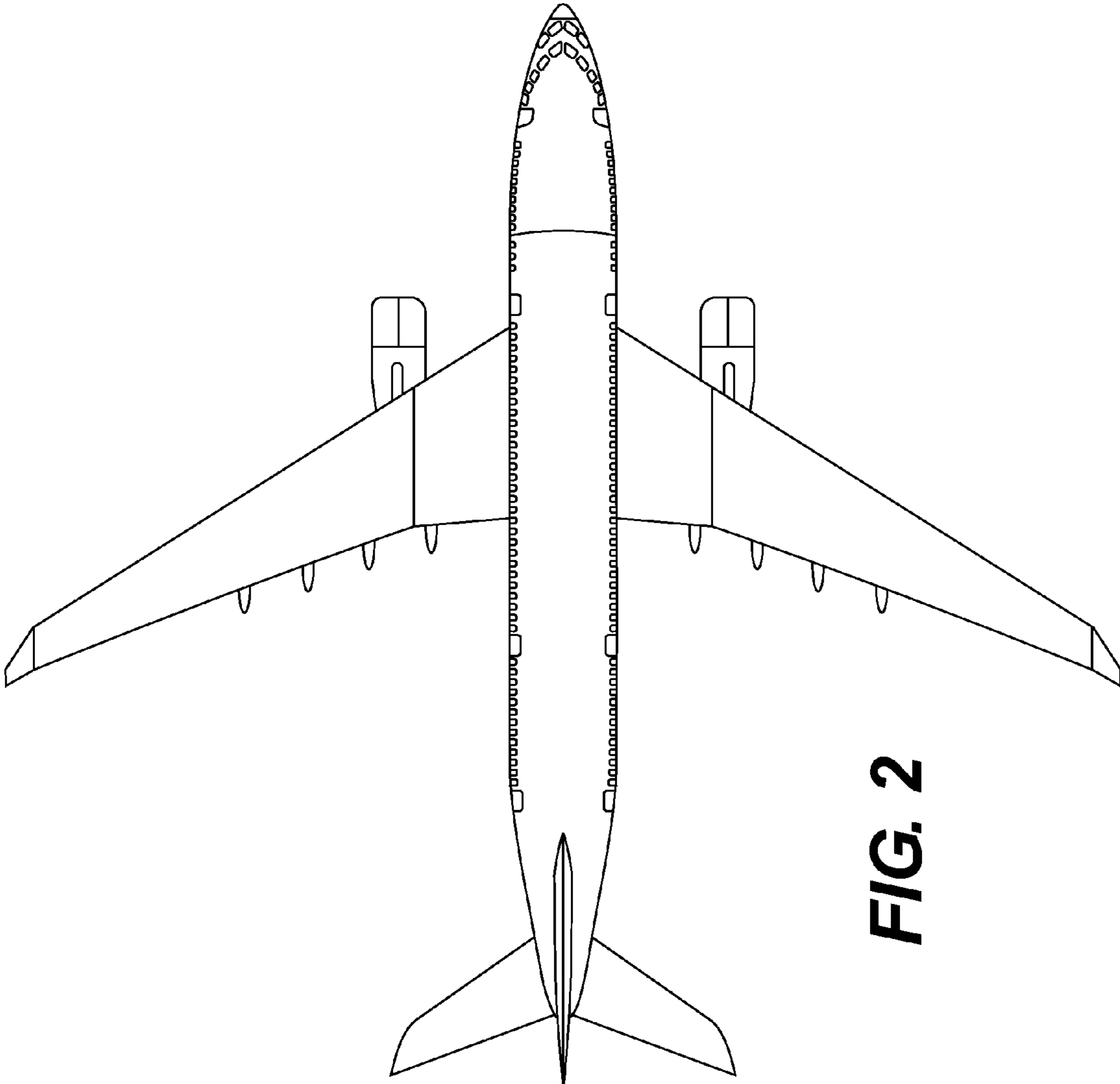
FIG. 6 is a bottom plan view thereof.

**1 Claim, 6 Drawing Sheets**

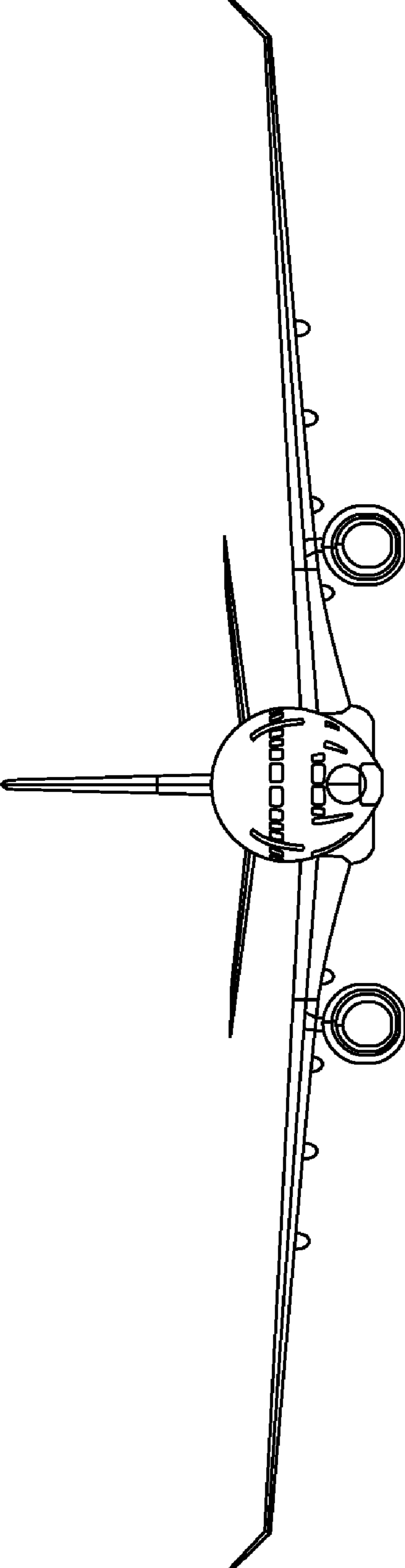




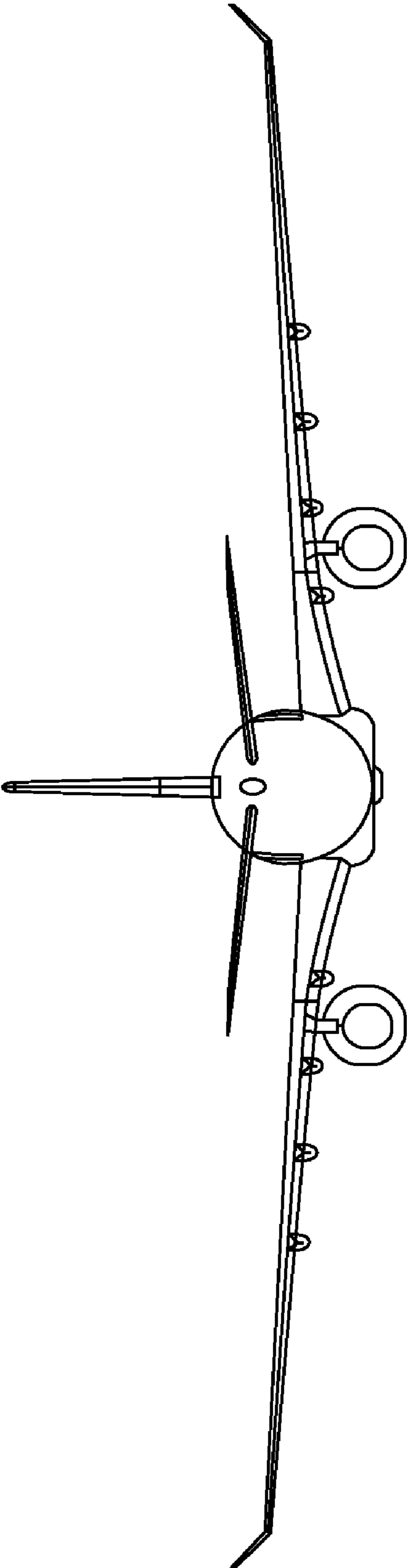
**FIG. 1**



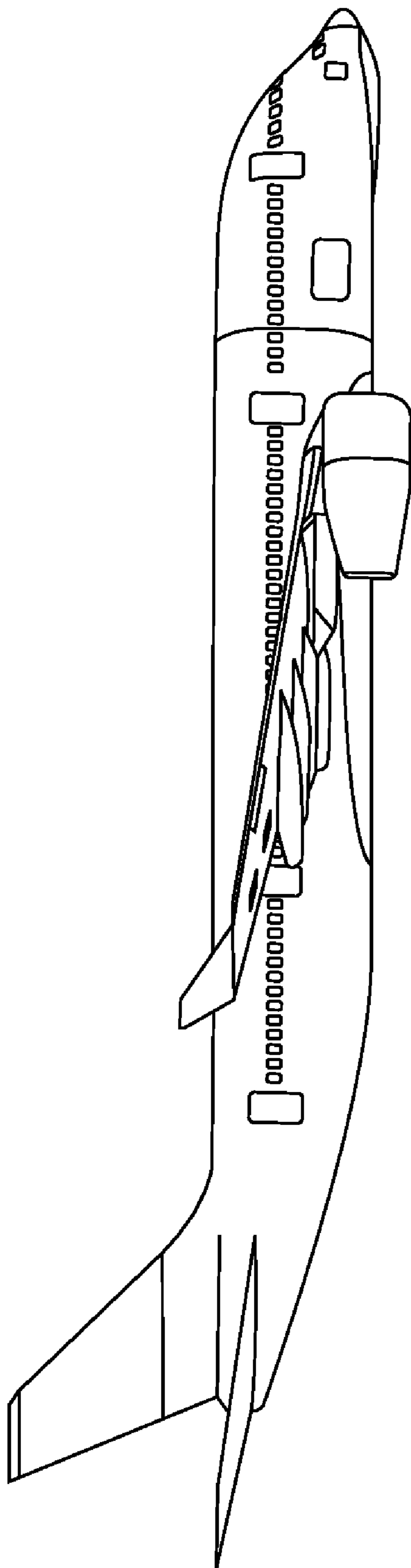
**FIG. 2**



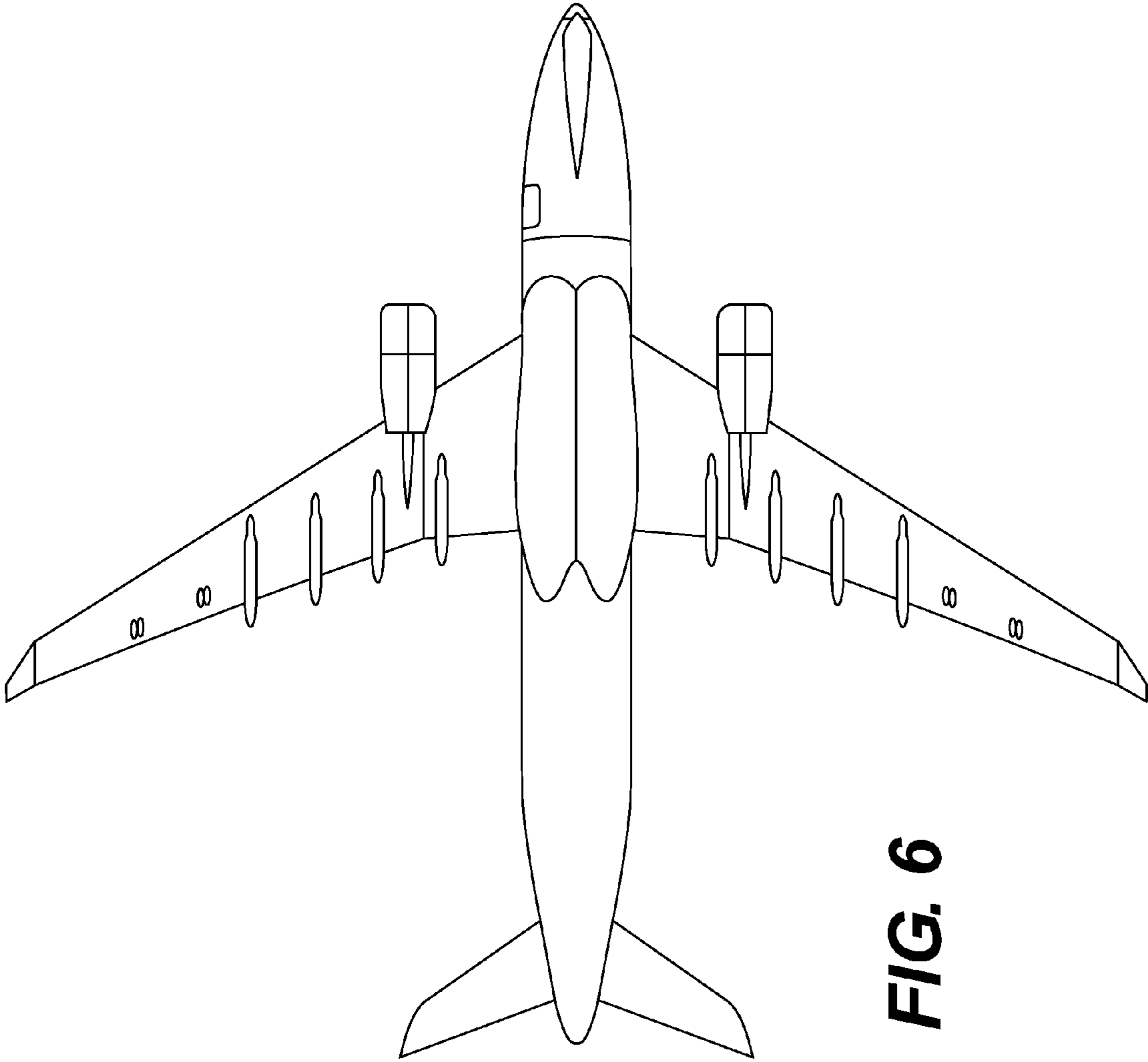
**FIG. 3**



**FIG. 4**



**FIG. 5**



**FIG. 6**